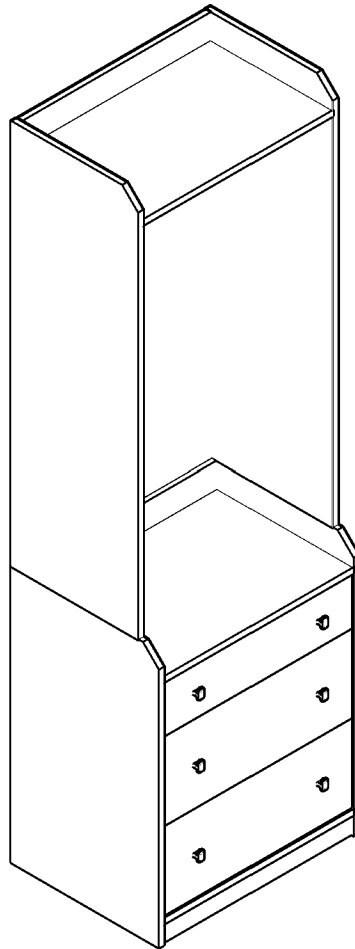


ASSEMBLY INSTRUCTIONS

EBR90 006WR07

20.06.2025



Let's get started!



Read through all of the instructions before starting



Care instructions are listed in the last step of this manual



Approx. 60 minutes assembly time



Make sure you have all parts and components before discarding any packing materials

Only use hand tools to assemble this item. Do not use power tools. Do not tighten bolts or screws completely until all hardware is lined up and inserted into the holes.

Do not over-tighten screws and bolts to avoid stripping the hardware or cracking the item.

Assemble your item on a flat, carpeted area, with plenty of space to work. This will prevent damage and scratches to your floors or the item while you're assembling the product.

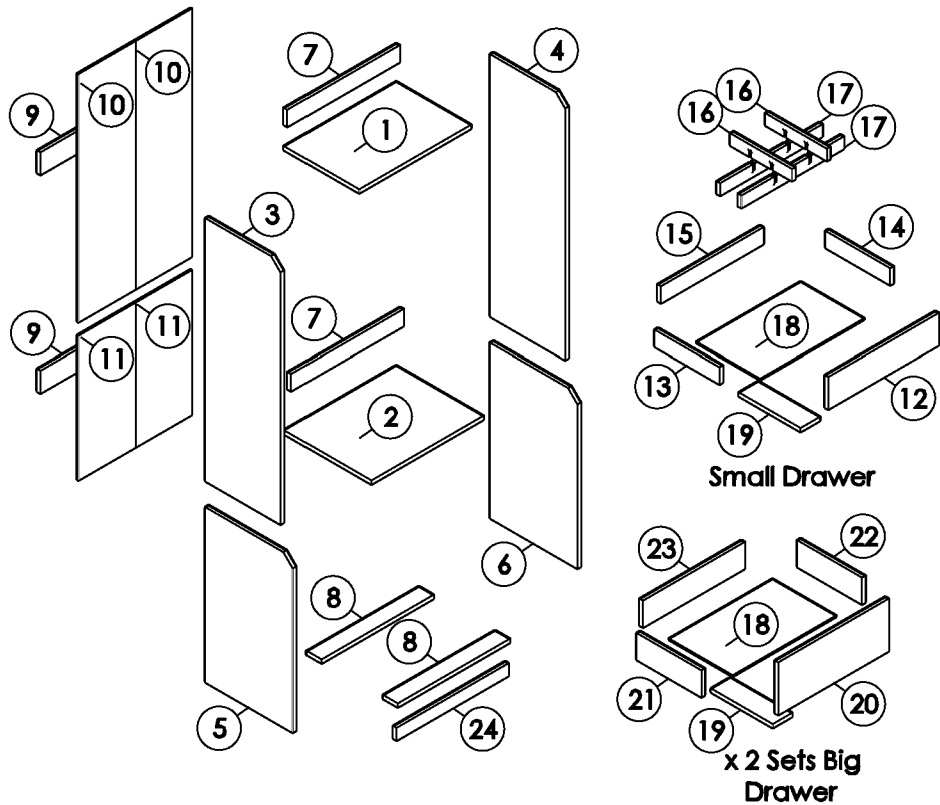
Keep all components and packing out of reach of children or animals to avoid risk of choking or suffocation.





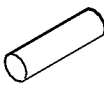

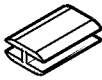
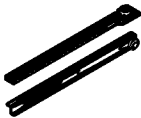







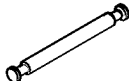



2 people recommended for assembly

Furniture components:



- ① Upper Top Panel x1
- ② Top Panel x1
- ③ Upper Side Panel (L) x1
- ④ Upper Side Panel (R) x1
- ⑤ Below Side Panel (L) x1
- ⑥ Below Side Panel (R) x1
- ⑦ Top Support Panel x2
- ⑧ Internal Support Panel x2
- ⑨ Back Support Panel x2
- ⑩ Upper Back Mdf Board x2
- ⑪ Below Back Mdf Board x2
- ⑫ Drawer Face Panel (Small) x1
- ⑬ Drawer Side Panel (Small) (L) x1
- ⑭ Drawer Side Panel (Small) (R) x1
- ⑮ Drawer Back Panel (Small) x1
- ⑯ Internal Box Panel (Short) x2
- ⑰ Internal Box Panel (Long) x2
- ⑱ Drawer Mdf Board x3
- ⑲ Drawer Support Panel x3
- ⑳ Drawer Face Panel (Big) x2
- ㉑ Drawer Side Panel (Big) (L) x2
- ㉒ Drawer Side Panel (Big) (R) x2
- ㉓ Drawer Back Panel (Big) x2
- ㉔ Bottom Support Panel x1

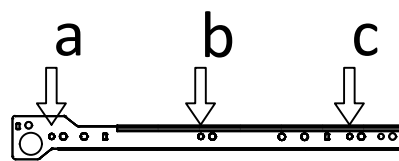
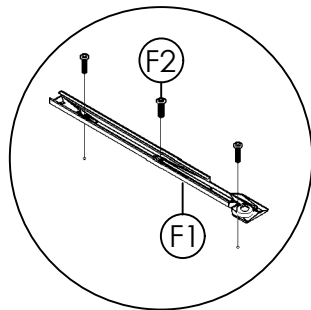
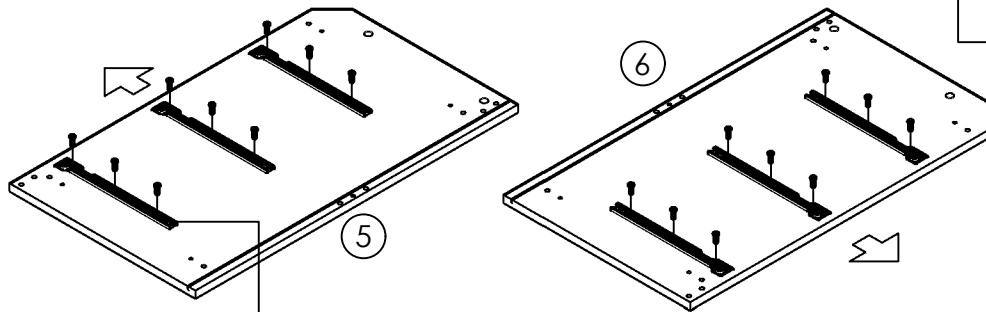


Provided hardware:

-  **A** Cam Pin M5x24MM x28
  **B** Cam Lock x28
  **C** Wood Dowel M8x30MM x50
  **D** Screw M4x38MM x12
  **E** (i)Pvc H Rail(1108MM) x1
 (ii)Pvc H Rail(637MM) x1
-  **F1** Drawer Slide 14" x3
  **F2** Screw M3.5 x12MM x36
  **G** Hanging Steel x1
  **H** Pvc Handle x6
  **I** V-Bracket x2
-  **J** Screw M3.5 x16MM x28
  **K** White Leg Pin x4
  **L** Screw M4x28MM x6
  **M** (i)Cam Pin M7x64MM x4
  **N** Allen Key x1
 (ii)Cam Lock x8
-  **O** Screw M4 x30MM x2
  **P** Wood Dowel M8x50MM x2

Step 1

(F1) x6	(F2) x18
	

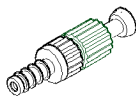
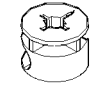
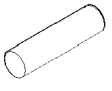


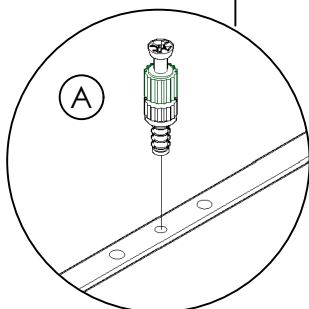
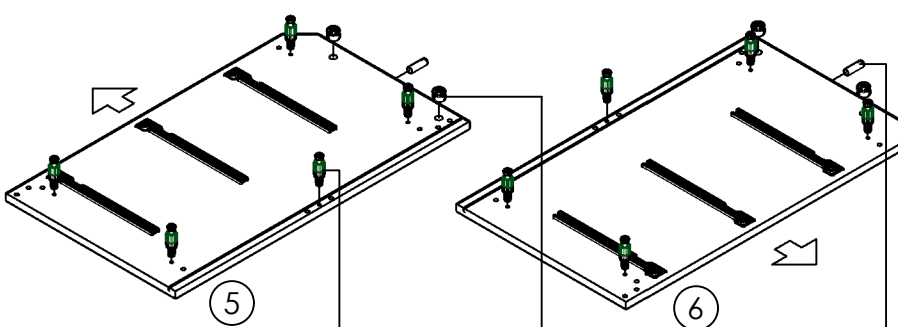
Screw in hole a, b and c

CL for panel (5)

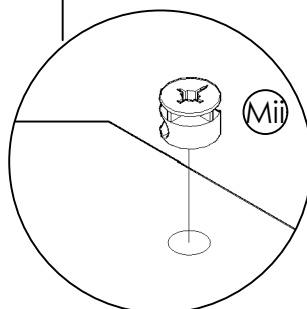
CR for panel (6)

Step 2

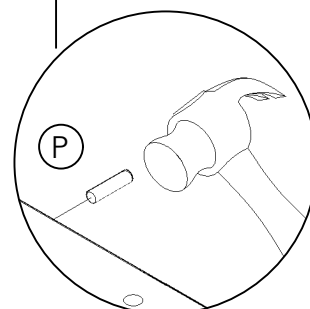
(A) x10	(Mii) x4	(P) x2
		



Installation Campin:
Please insert the screw (A)
on panel using a screwdriver.



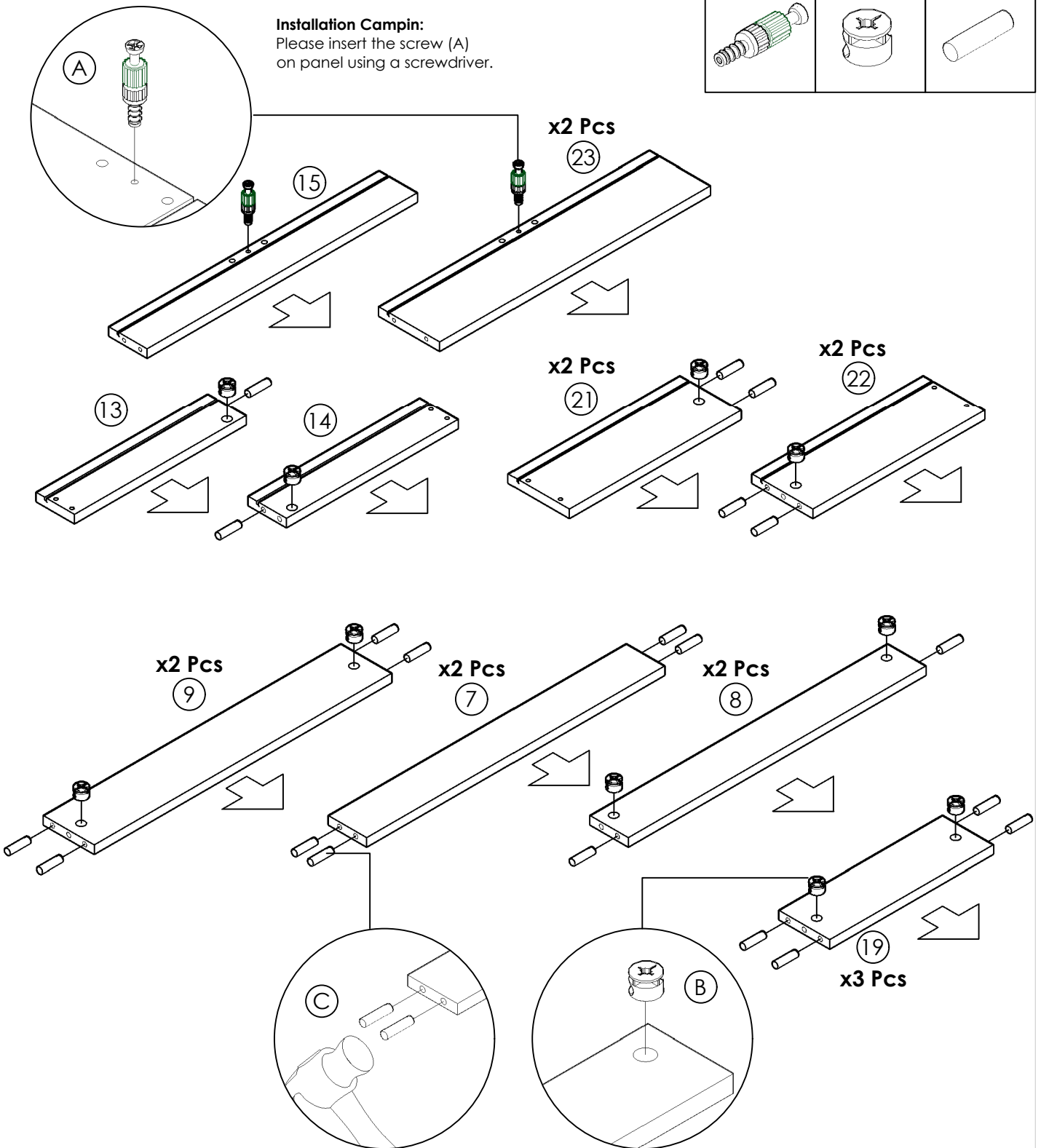
Installation Hardware:
As Shown, Insert the camlock (Mii) and wood Dowel (P)
into the hole of panel using the hammer.



Step 3

(A) x3	(B) x20	(C) x42

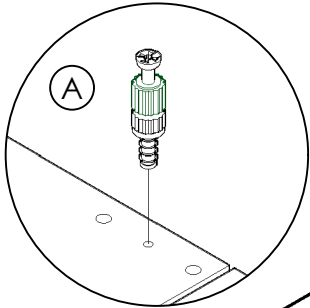
Installation Campin:
Please insert the screw (A)
on panel using a screwdriver.



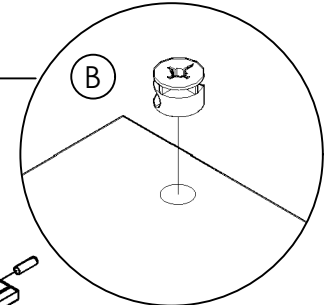
Installation Hardware:
As Shown, Insert the camlock (C) and wood Dowel (B)
into the hole of panel using the hammer.

Step 4

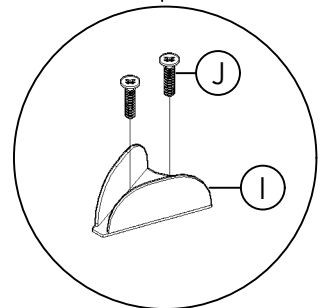
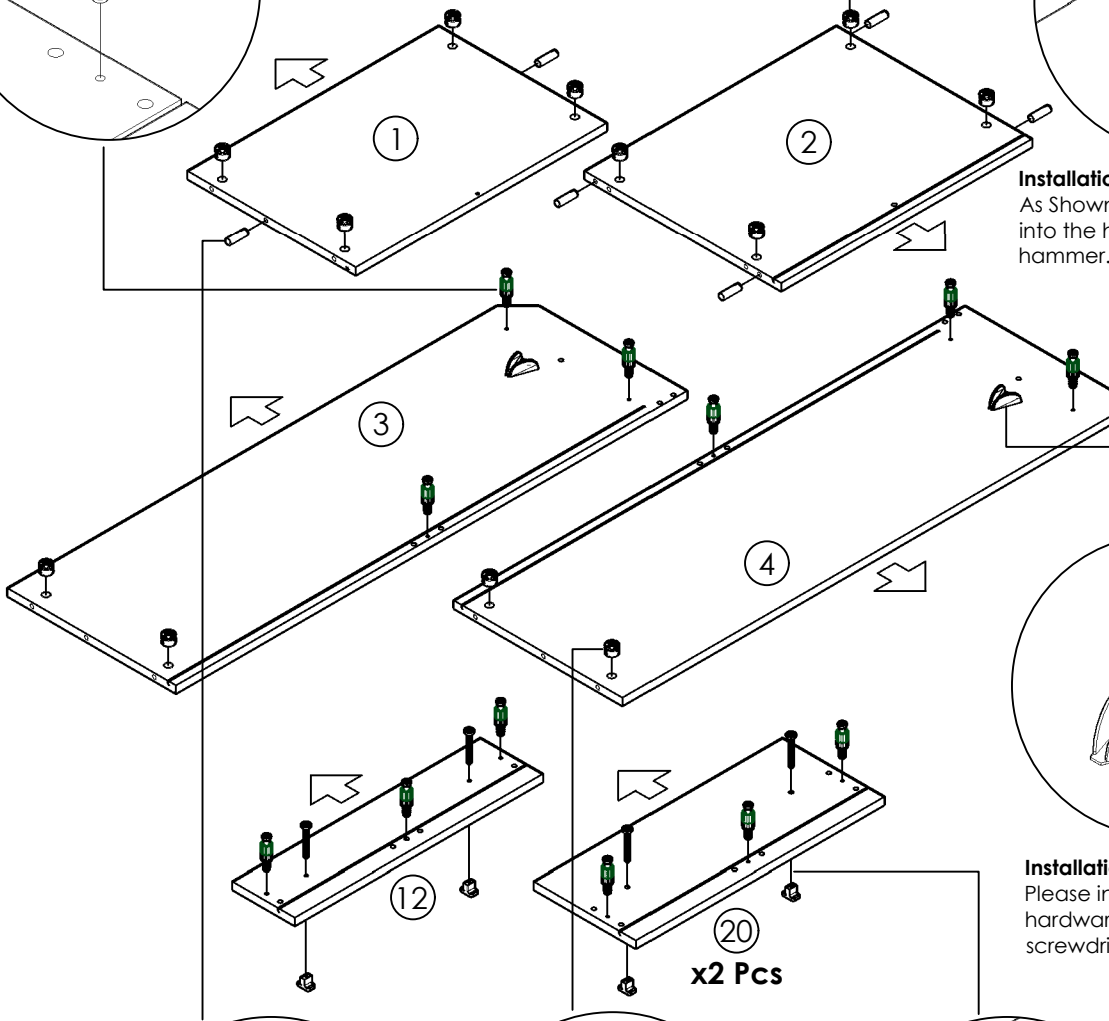
(A) x15	(B) x12	(Mii) x4	(C) x6	(H) x6	(L) x6	(I) x2	(J) x4



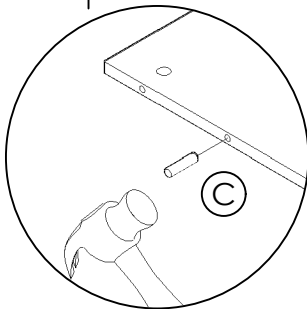
Installation Campin:
Please insert the screw (A) on panel using a screwdriver.



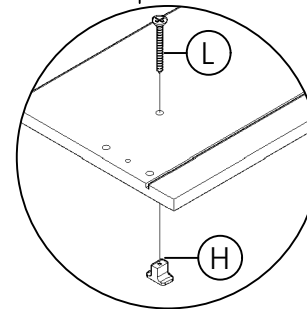
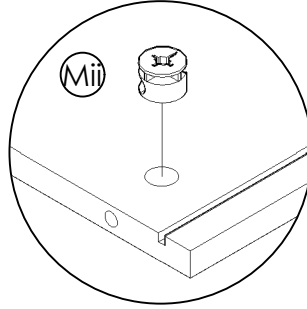
Installation Hardware:
As Shown, Insert the camlock (B) into the hole of panel using the hammer.



Installation Screw:
Please insert the screw (J) with hardware (I) on panel using a screwdriver.



Installation Hardware:
As Shown, Insert the camlock (Mii) and wood Dowel (C) into the hole of panel using the hammer.



Installation Screw:
Please insert the screw (L) with hardware (H) on panel using a screwdriver.

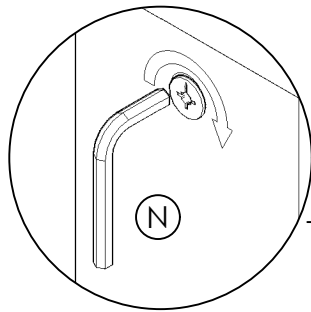
Step 5

(N) x1

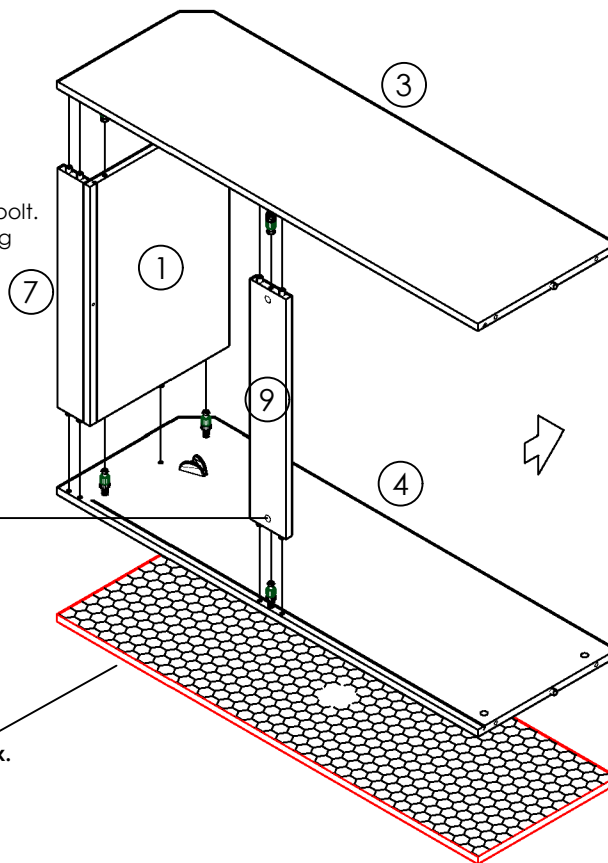


Installation:

As shown, the head of minifix housing goes into the open mouth of the minifix bolt. Use Allen Key then turn the minifix housing so it tightens over the minifix bolt.



Place foam to support the panel during the installation process. Use foam in the box.



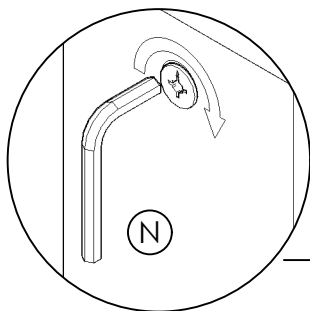
Step 6

(N) x1

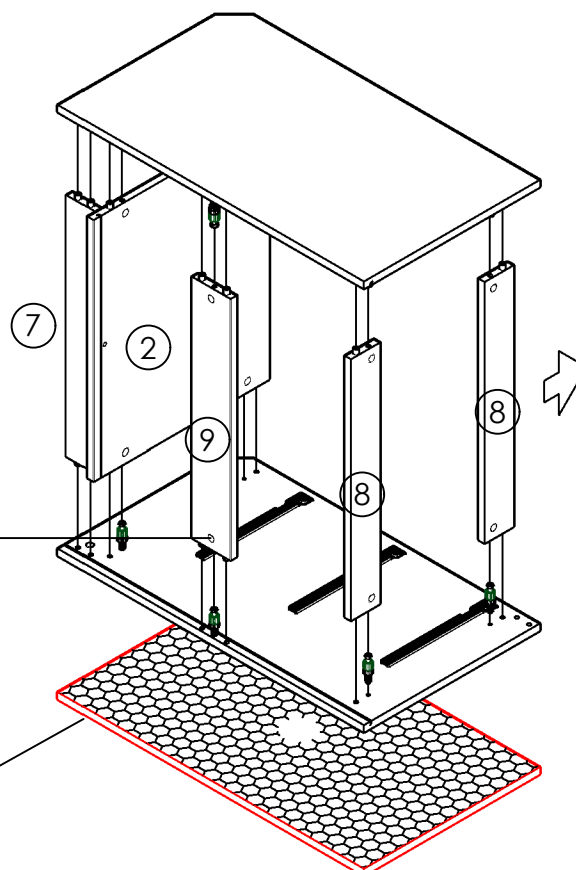


Installation:

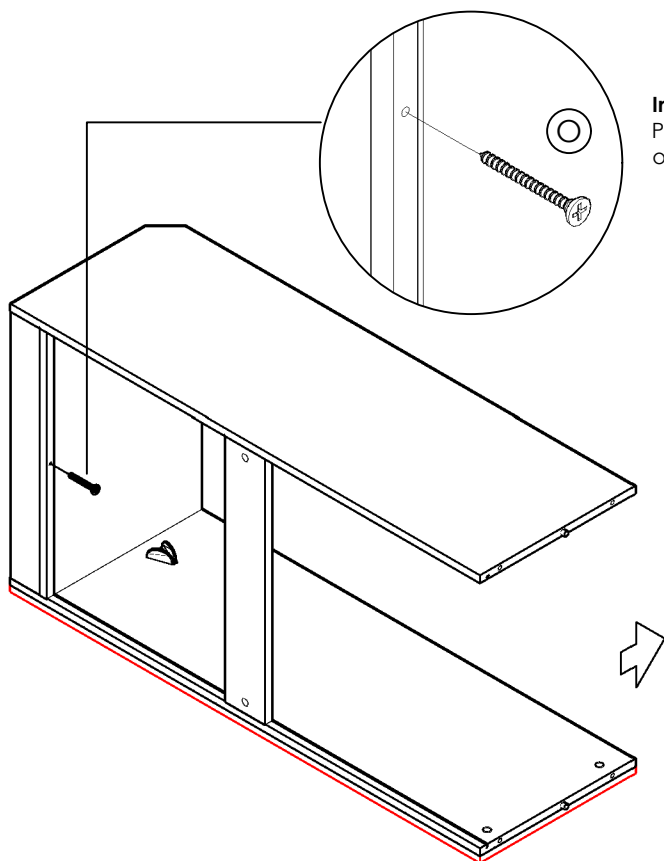
As shown, the head of minifix housing goes into the open mouth of the minifix bolt. Use Allen Key then turn the minifix housing so it tightens over the minifix bolt.



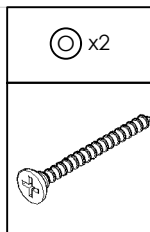
Place foam to support the panel during the installation process. Use foam in the box.



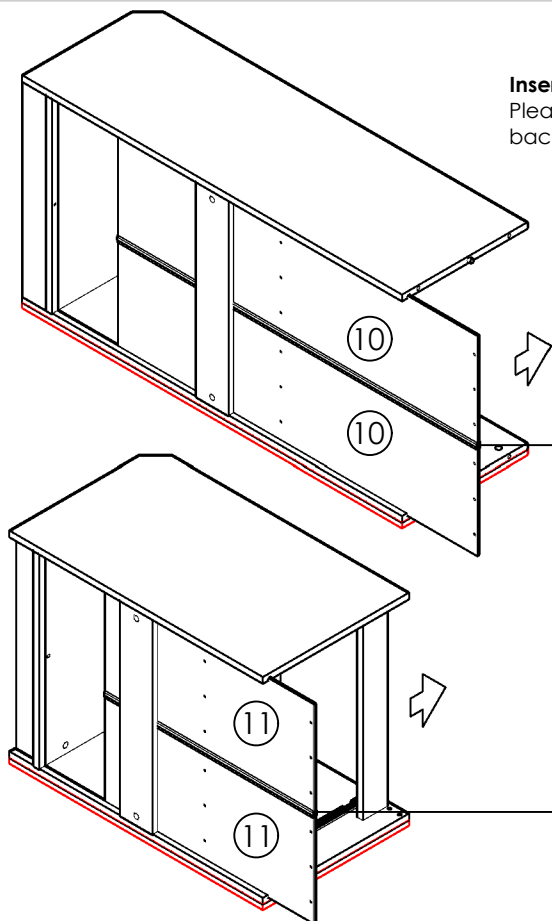
Step 7



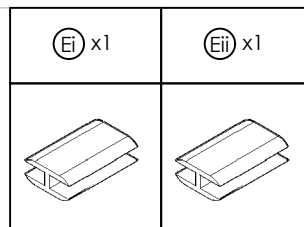
Installation Screw:
Please insert the screw (O) on panel using a screwdriver.



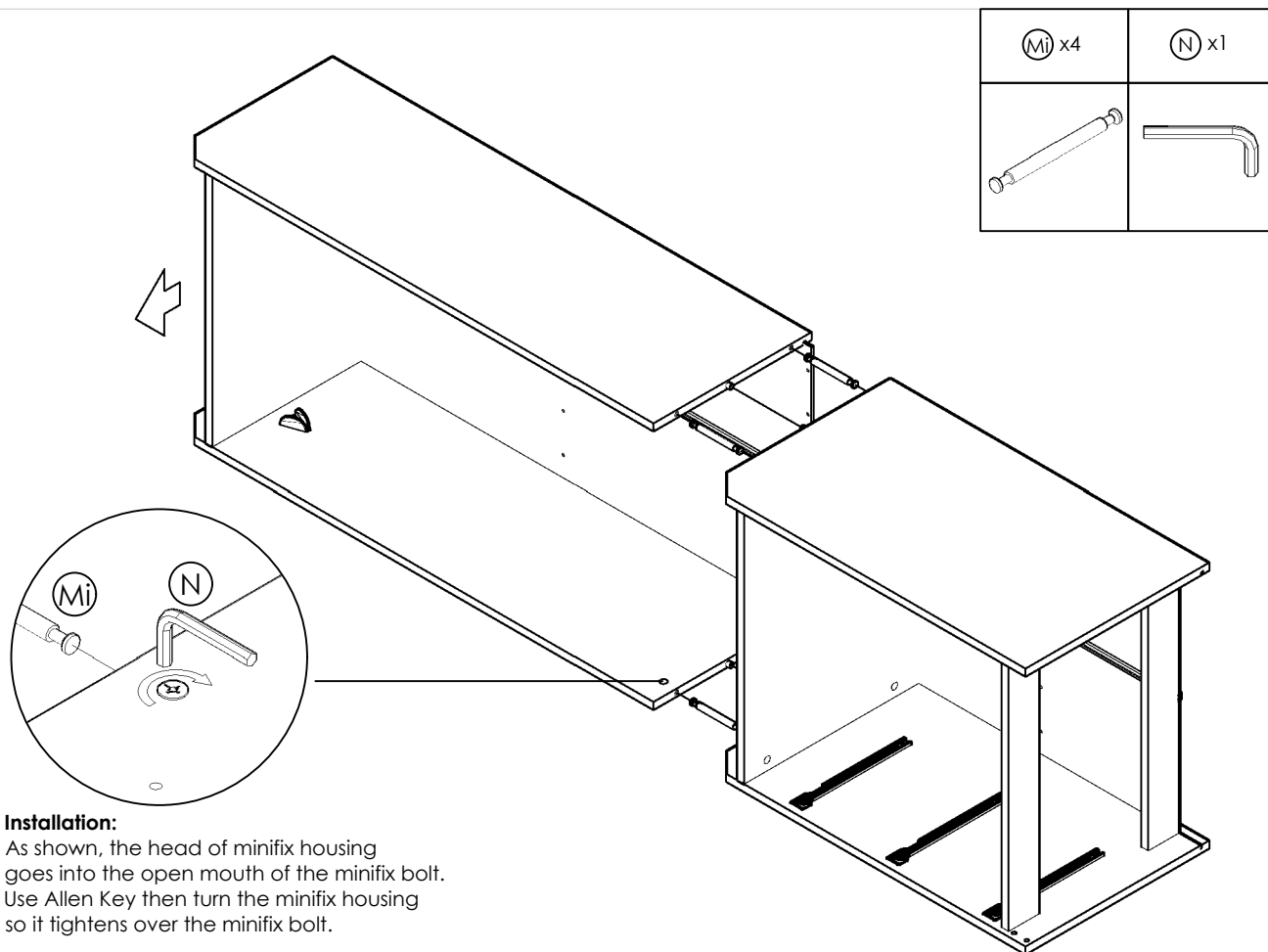
Step 8



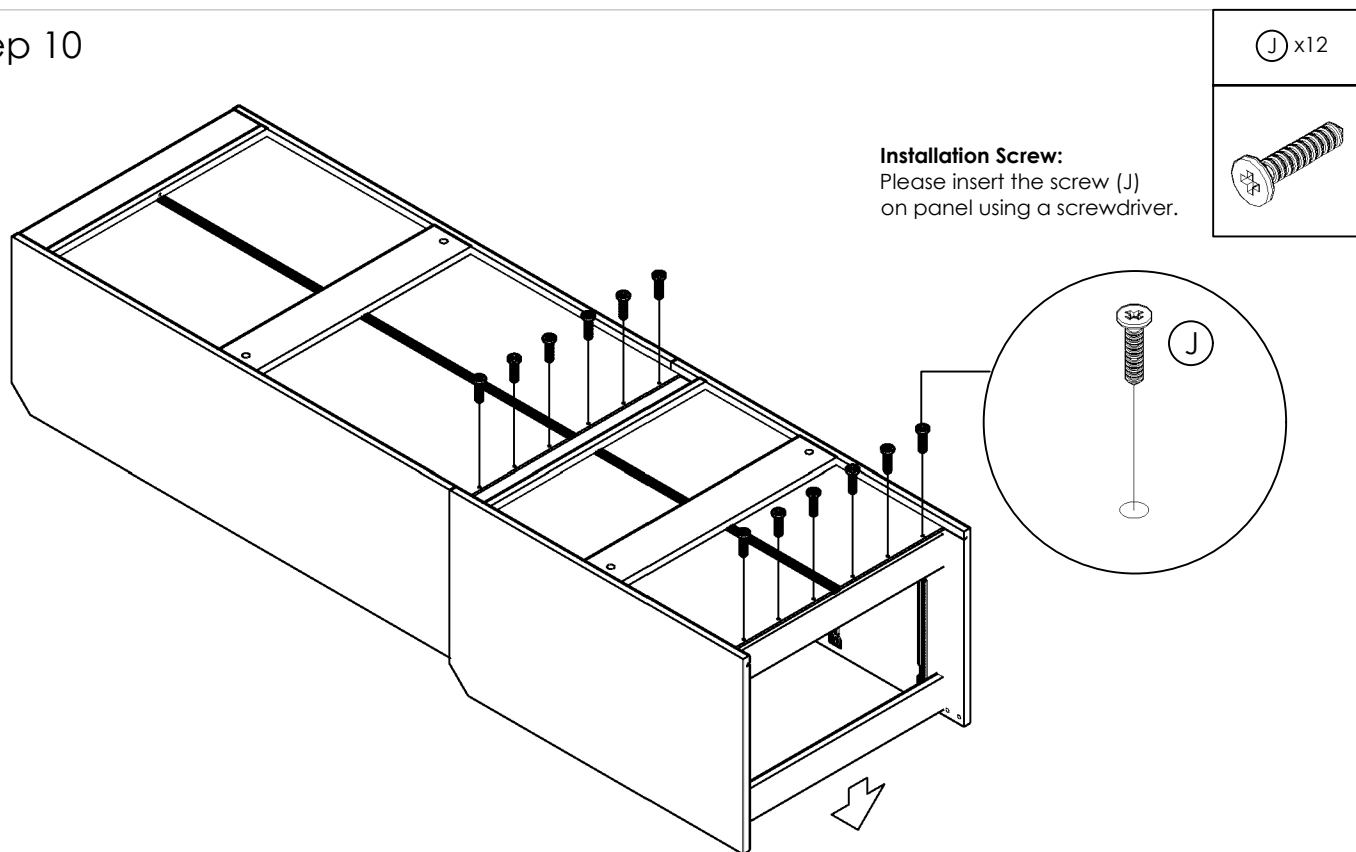
Insert Back MDF Board:
Please insert the Pvc(Ei) & (Eii) with back MDF board into the groove of panel.



Step 9

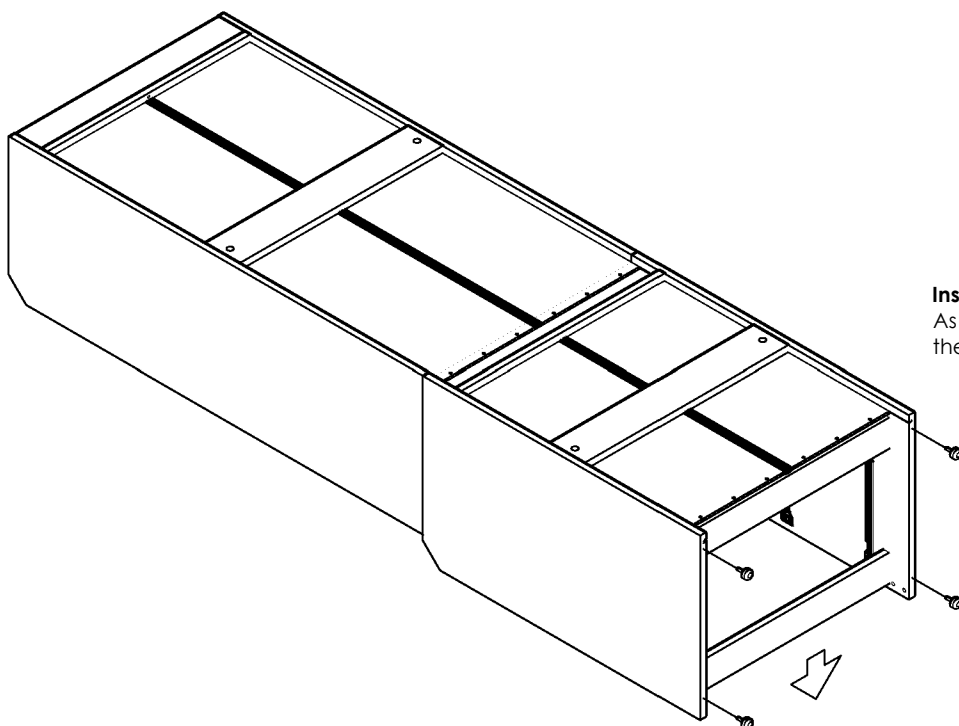


Step 10



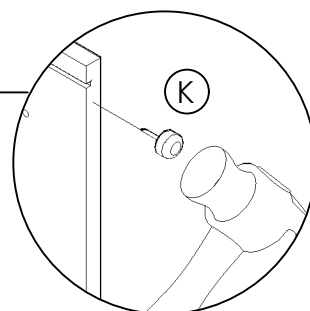
Step 11

(K) x4



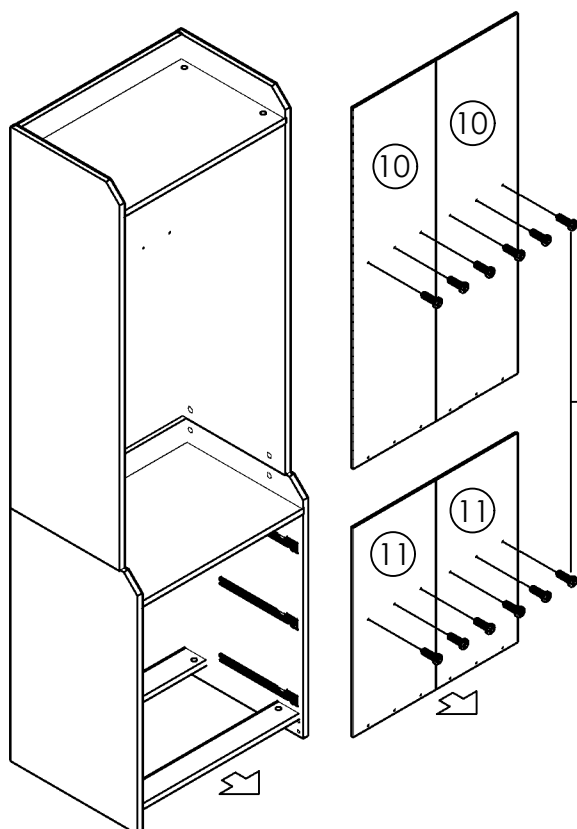
Installation Hardware:

As Shown, Insert the white leg pin(K) into the hole of panel using the hammer.



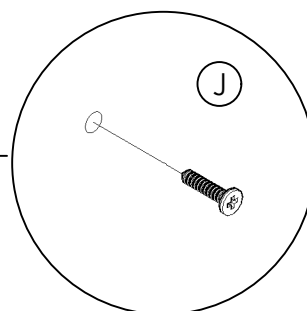
Step 12

(J) x12

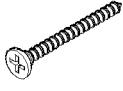



Installation Screw:

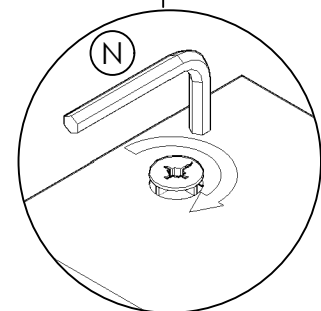
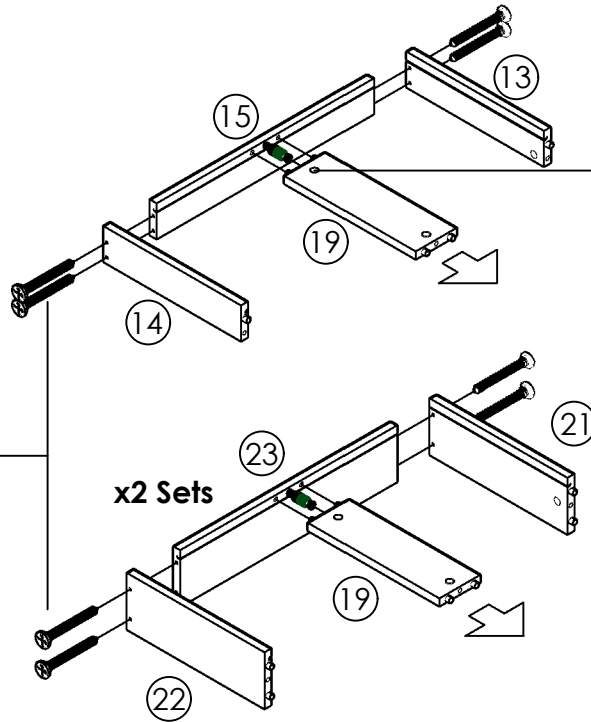
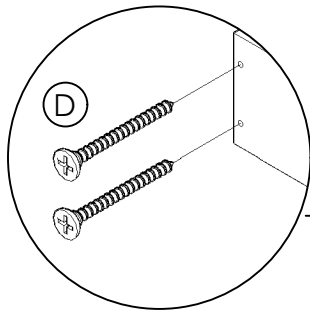
Please insert the screw (J) on panel using a screwdriver.



Step 13

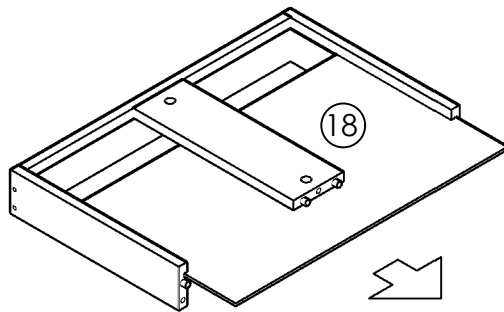
(D) x12	(N) x1
	

Installation Screw:
Please insert the screw (D)
on panel using a screwdriver.

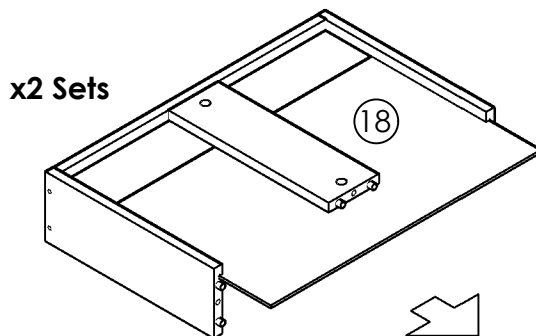


Installation:
As shown, the head of minifix housing
goes into the open mouth of the minifix bolt.
Use Allen Key then turn the minifix housing
so it tightens over the minifix bolt.

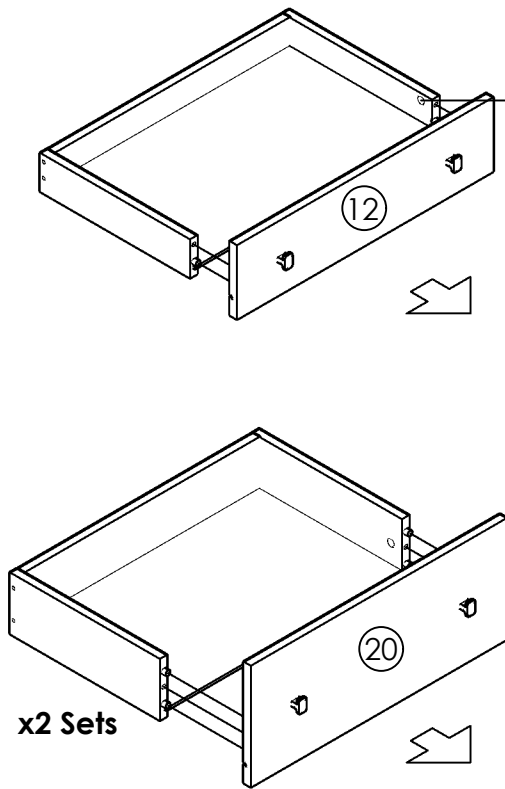
Step 14



Insert Back MDF Board:
Please insert the back MDF board
into the groove of panel.



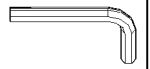
Step 15



Installation:

As shown, the head of minifix housing goes into the open mouth of the minifix bolt. Use Allen Key then turn the minifix housing so it tightens over the minifix bolt.

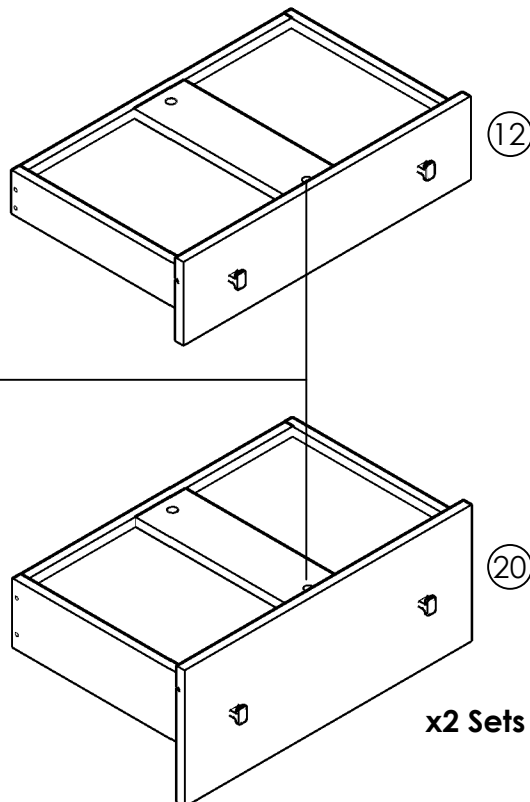
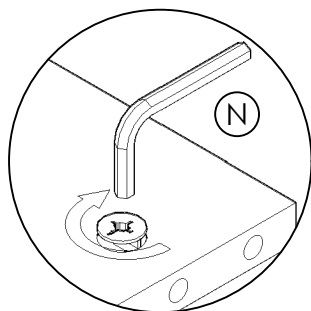
(N) x1



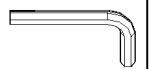
Step 16

Installation:

As shown, the head of minifix housing goes into the open mouth of the minifix bolt. Use Allen Key then turn the minifix housing so it tightens over the minifix bolt.

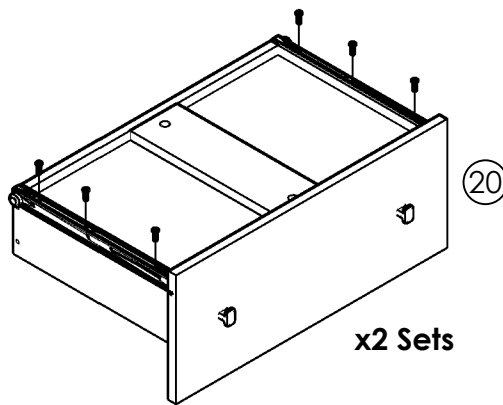
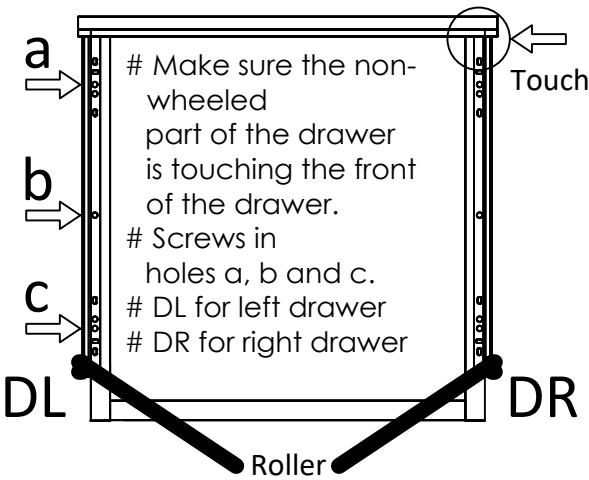
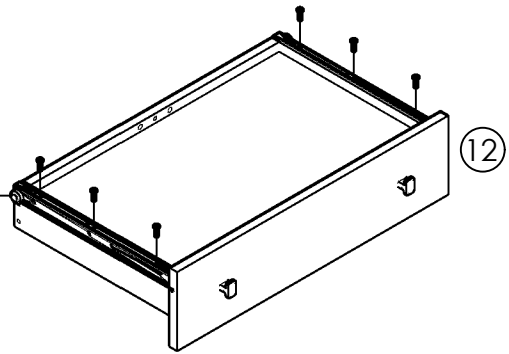
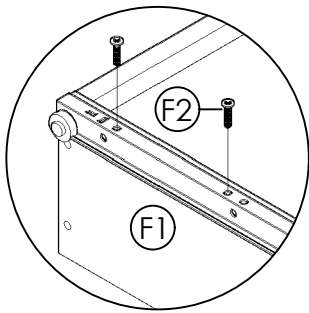


(N) x1

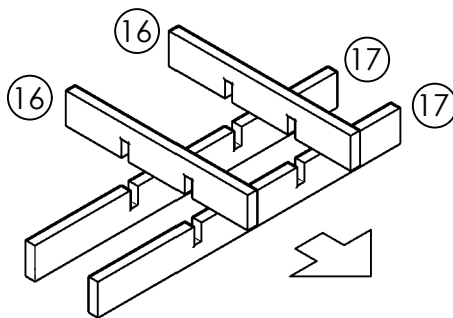


Step 17

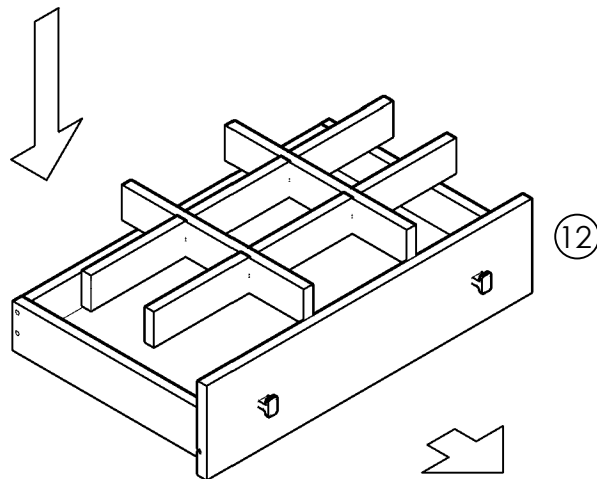
(F1) x6	(F2) x18



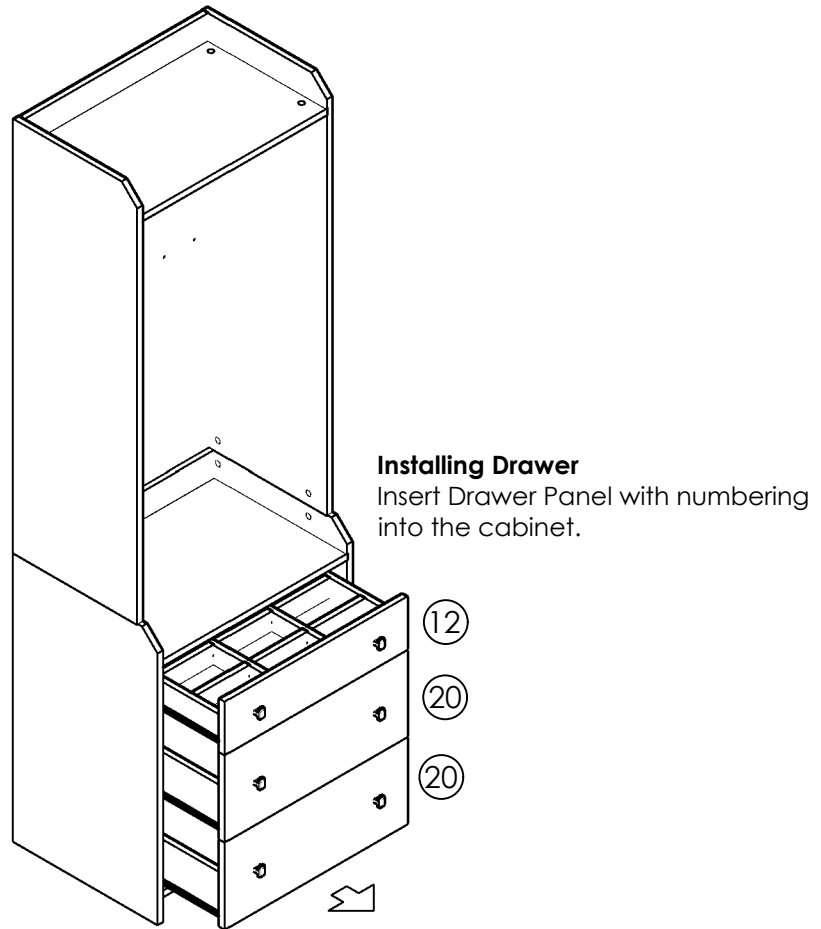
Step 18



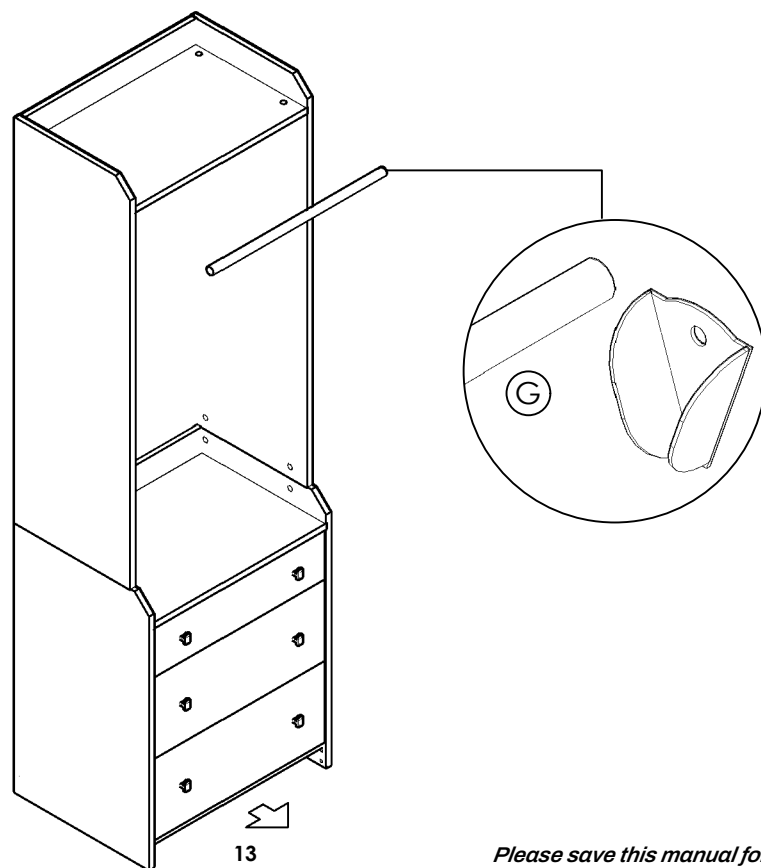
Insert Internal Box:
 Please combine the panel of internal box.
 Then, insert the internal box into the drawer.



Step 19



Step 20



Please save this manual for future reference.

Great job!

Model Description assembly is complete.



CARING FOR YOUR ITEM

Indoor use only.

Not contract grade.

Clean using a non-abrasive cloth and a mild cleaner.

Never use harsh chemicals, as they could damage the finish or integrity of the item.

