

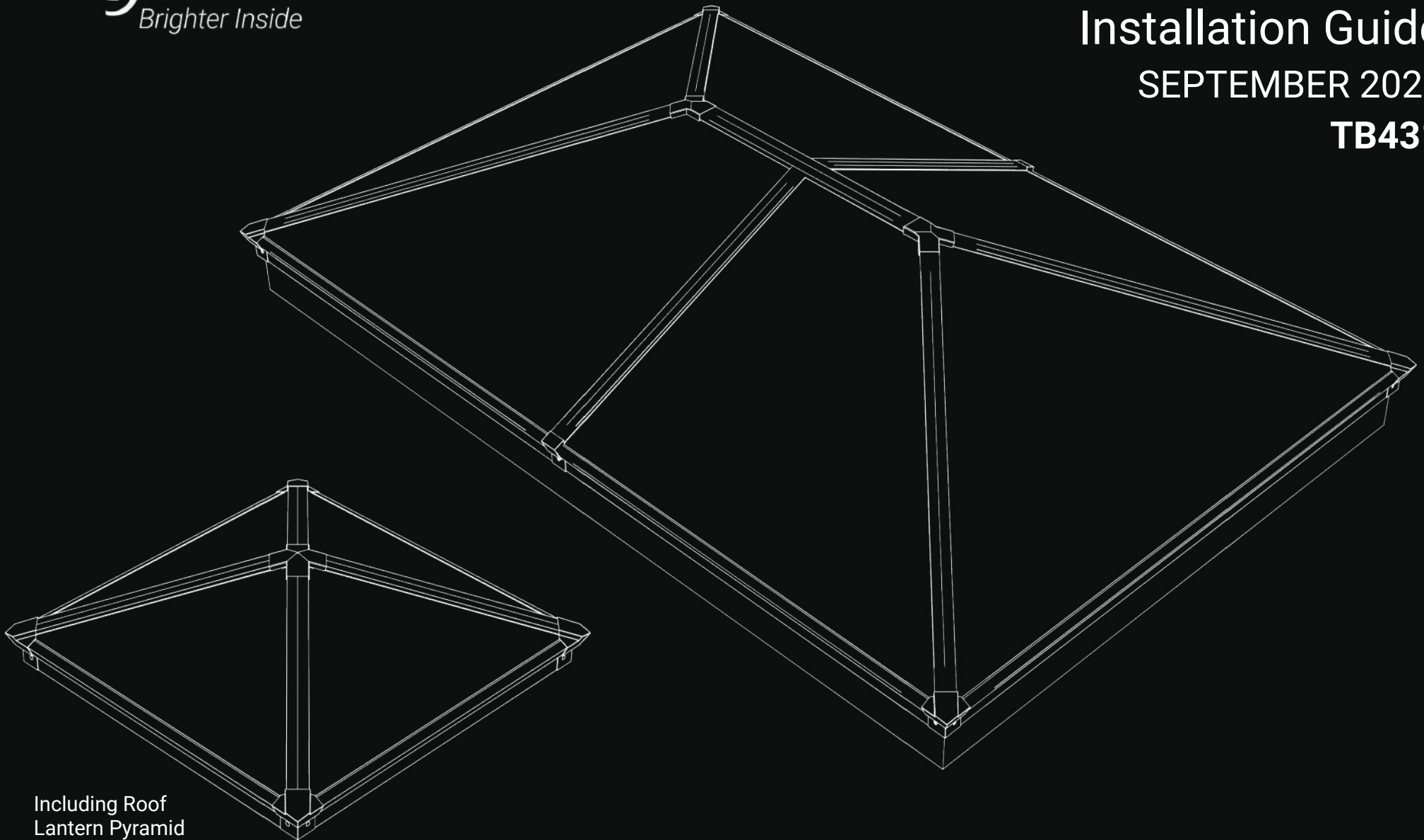


Roof Lantern

Installation Guide

SEPTEMBER 2025

TB431



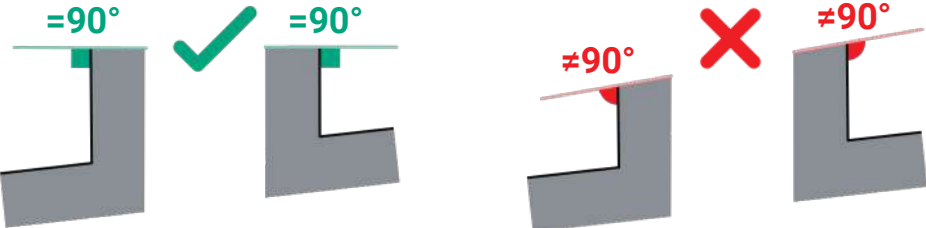
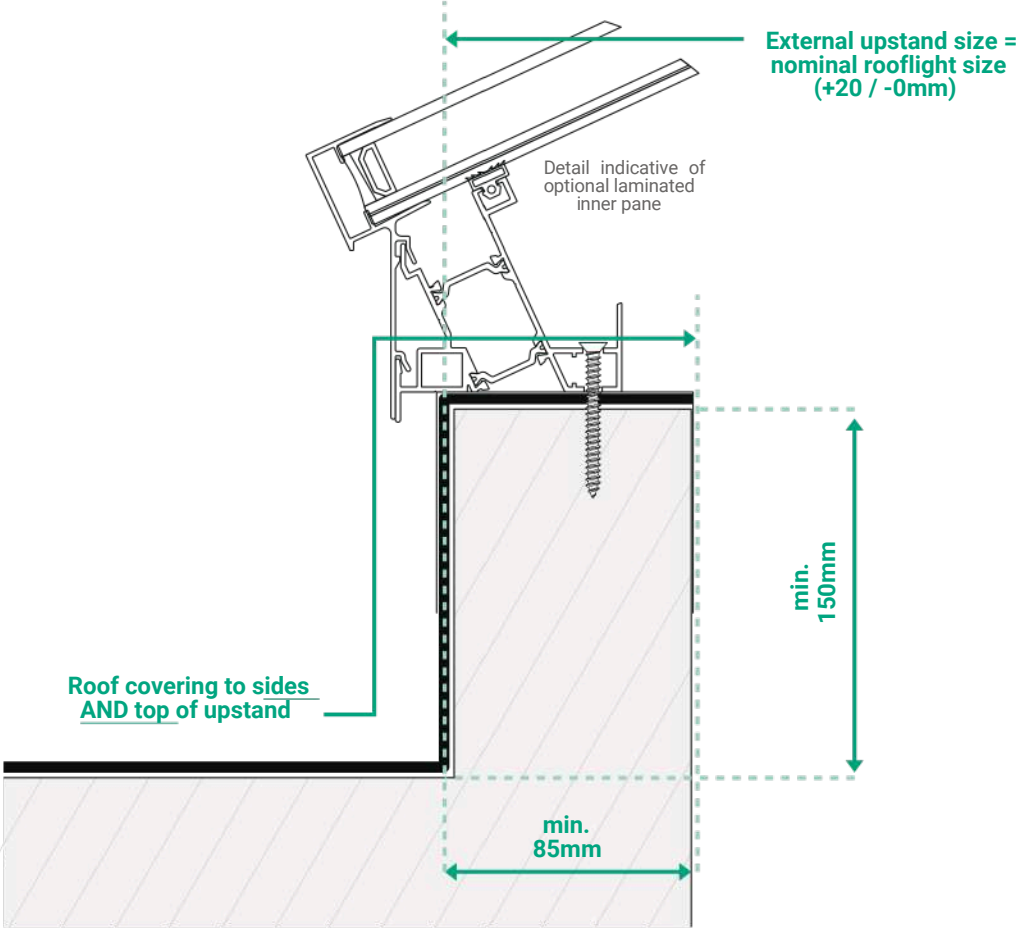
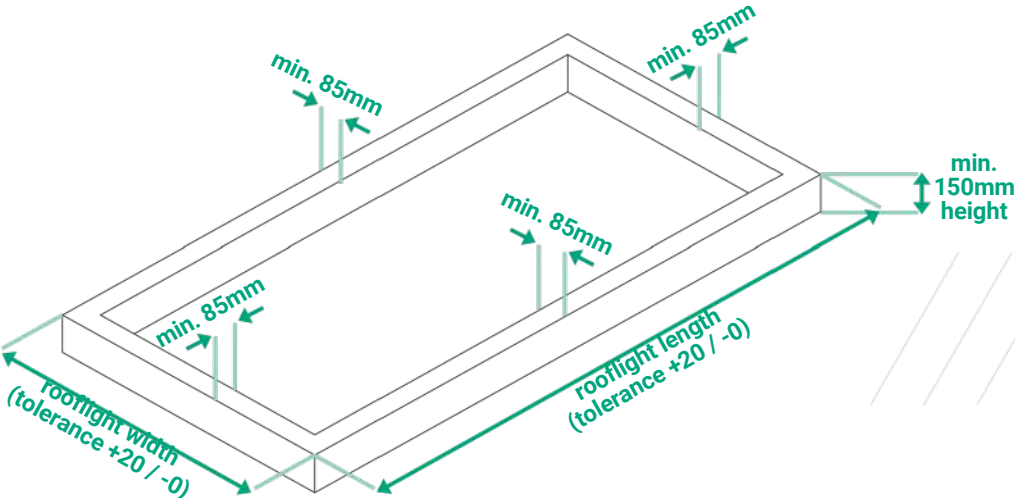
Including Roof
Lantern Pyramid

Upstand Requirements

Construct finished, insulated and weathered builder's upstand to dimensions shown.

Roof covering must cover side and top of insulated upstand in accordance with manufacturer's installation recommendations. There should be no excessive build-up of layers, and the top surface should be level and free from protrusions or projections which may prevent adequate weatherproofing.

Roof Lantern rooflights are intended for installation onto a fully weathered and insulated builder's upstand on flat and low pitch roofs. The surface of flat roofs normally require some degree of pitch to ensure adequate water runoff. For aesthetic reasons we recommend that the upstand is built with 0° pitch i.e. not parallel with the pitched roof surface. The rooflight can accommodate being installed on an upstand with a pitch of up to 5° but please note that this will likely result in a 'lopsided' appearance.



Technical Support

For any technical information/queries please contact your supplier. The manufacturer operates a policy of continuous product improvement, and reserves the right to alter specifications at any time without notice. Every effort has been taken to ensure all details contained in this document are correct at the time of going to press but this document should be used only as a guide and does not in any way form part of a contract or warranty. It is the customer's responsibility to ensure that the product is suitable for the actual conditions of use, which are beyond the control of the manufacturer.

Health & Safety

! IMPACT DRIVERS MUST NOT BE USED



Warning: this product is designed for installation by professional roofing installers, who are responsible for establishing a safe method of work. All risks involved, including those involved in roof access and working around (and if necessary across) an open roof aperture must be assessed, and suitable precautions taken to minimise those risks, with a safe method of work established and documented for each project.

Instructions must be followed carefully and in the correct order otherwise warranty may be invalidated.



Warning: these rooflights should be considered FRAGILE. It is the customer's responsibility to ensure a risk assessment has been carried out to define the measures required to prevent significant risk of falling through the rooflight, in compliance with the CDM regulations. For further information please see Rooflight Association NTD14.



Warning: these rooflights are available with double glazing incorporating an inner pane that is either 1) annealed laminated or 2) toughened. Please check the glass specification of the specific rooflight with your supplier and note the following:

Annealed laminated inner pane

An annealed laminated inner pane prevents falling glass in the event of accidental breakage, for the safety of those below the rooflight. In some circumstances, annealed, laminated glass can be subject to thermal stress fracture in the event of uneven heat build-up directly under the glass. Installation of blinds, or any other alterations made to the lightwell below the rooflight, must be done so with consideration to the risk of thermal stress fracture. In the case of blinds, the risk of thermal stress fracture can never be fully removed, but it can be reduced by choosing light coloured blinds and positioning them as far away from the glass as possible. More detailed guidance can be obtained upon request.



Toughened inner pane

British Standards set out the circumstances and locations when a toughened inner pane can be used, subject to satisfactory risk assessment. The Rooflight Association recommends that the inner pane should always be laminated glass, unless a stringent risk assessment has been undertaken which shows that use of a toughened glass inner pane does not give any additional risk to those below rooflights. For further information please see Rooflight Association NTD14. By choosing a rooflight with a toughened inner pane, customers acknowledge and accept responsibility for the associated risks, including the need to carry out a satisfactory risk assessment, and are responsible for ensuring a rooflight with toughened inner pane is appropriate for the intended application, which is beyond the control of the rooflight manufacturer.

Safety Equipment Required



Safety Gloves
Cut level 5 or E gloves
Required as per following standards
EN 288; ENISO21420



Cut Resistant Sleeves



Safety Glasses

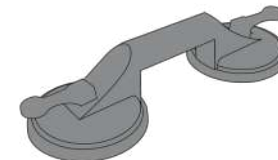
Tools Required



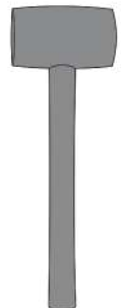
Electric Screwdriver
NO IMPACT DRIVERS



Sealant



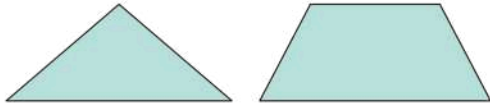
Glass Sucker(s)
Recommended for larger sizes



Rubber Mallet

Contents

4 pane lantern



2 x
Glass Triangle

2 x
Glass Trapezium
(4 pane option only)



1 x
Ridge Outer



4 x
Hip Outer



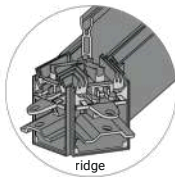
4 x
Ridge Inner



4 x
Hip Inner



4 x
Glass Stop



1 x
Ridge Inner

Components Box (only use fixings supplied)

30 x
50mm Kerb Screws



8 x
M6x40mm
Kerb Bolts



4 x
M6x40mm
Hip Bolts



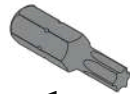
2 x
M6x25mm
Glazing Clamp Bolts



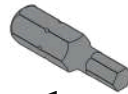
8 x
No. 10x25mm Outer
Cap Screws



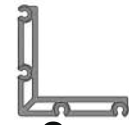
16 x
M6x10mm Corner
Cleat Bolts



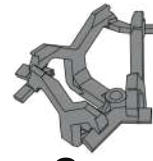
1 x
T-25 Torx
Driver Bit



1 x
4mm Hex
Driver Bit



8 x
Corner Cleat



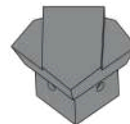
2 x
Glazing Clamp



30 x
Kerb Screw Cap



8 x
Cover Cap



4 x
Hip Cap



2 x
Ridge Cap

6 pane lantern



2 x
Glass Triangle

2 x
Left Glass Trapezium

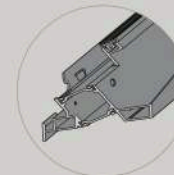
2 x
Right Glass Trapezium



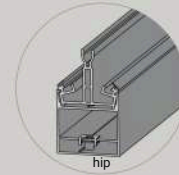
1 x
Ridge Outer



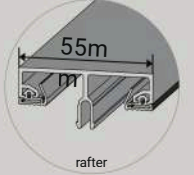
4 x
Hip Outer



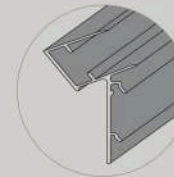
4 x
Kerb Bar



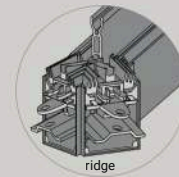
4 x
Hip Inner



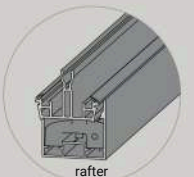
2 x
Rafter Outer



6 x
Glass Stop








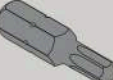
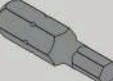
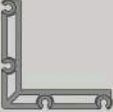
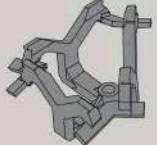


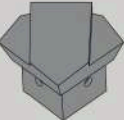
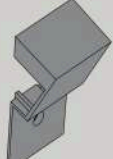
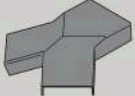


1 x
Ridge Inner

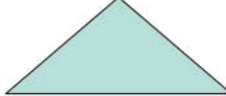






2 x
Rafter Inner









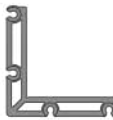





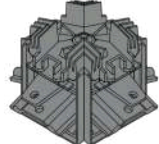
Components Box (only use fixings supplied)

- 30 x 50mm Kerb Screws 
- 10 x M6x40mm Kerb Bolts 
- 4 x M6x40mm Hip Bolts 
- 2 x M6x35mm Rafter Bolts (black bolt) 
- 2 x M6x25mm Glazing Clamp Bolts 
- 10 x No. 10x25mm Outer Cap Screws 
- 16 x M6x10mm Corner Cleat Bolts 
- 1 x T-25 Torx Driver Bit 
- 1 x 4mm Hex Driver Bit 
- 8 x Corner Cleat 
- 2 x Glazing Clamp 
- 30 x Kerb Screw Cap 
- 10 x Cover Cap 
- 4 x Hip Cap 
- 2 x Rafter Cap 
- 2 x Ridge Cap 

Pyramid

- 4 x Glass Triangle 
- 4 x Kerb Bar 
- 4 x Hip Outer 
- 4 x Hip Inner 
- 4 x Glass Stop 

Components Box (only use fixings supplied)

- 30 x 50mm Kerb Screws 
- 8 x M6x40mm Kerb Bolts 
- 4 x M6x40mm Hip Bolts 
- 1 x M6x25mm Glazing Clamp Bolt 
- 8 x No. 10x25mm Outer Cap Screws 
- 16 x M6x10mm Corner Cleat Bolts 
- 1 x T-25 Torx Driver Bit 
- 1 x 4mm Hex Driver Bit 
- 8 x Corner Cleat 
- 1 x Glazing Clamp 
- 30 x Kerb Screw Cap 
- 8 x Cover Cap 
- 4 x Hip Cap 
- 1 x Ridge Cap 
- 1 x Inner Casting 

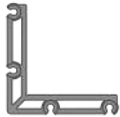
1. Assemble base frame



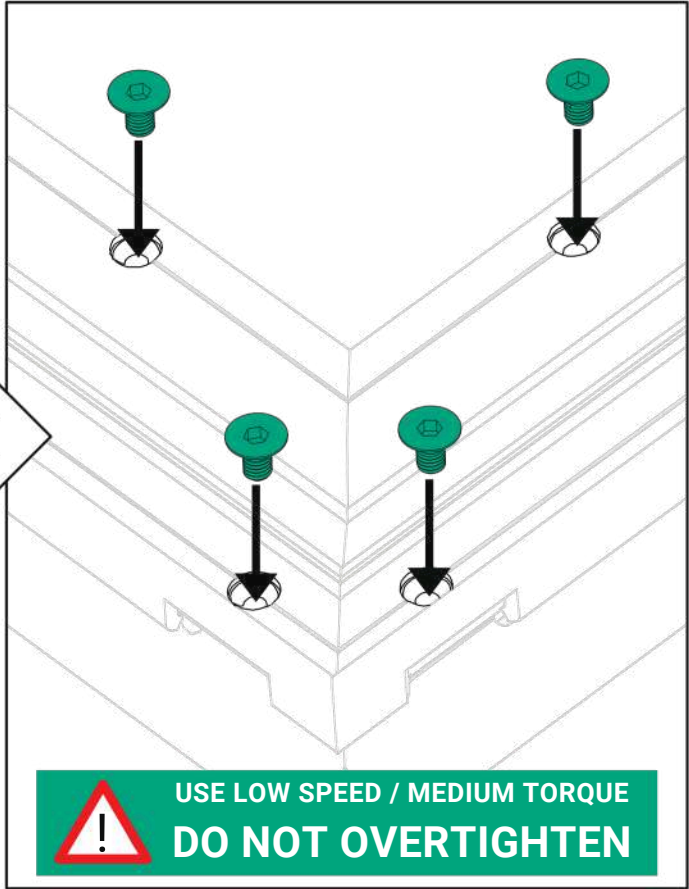
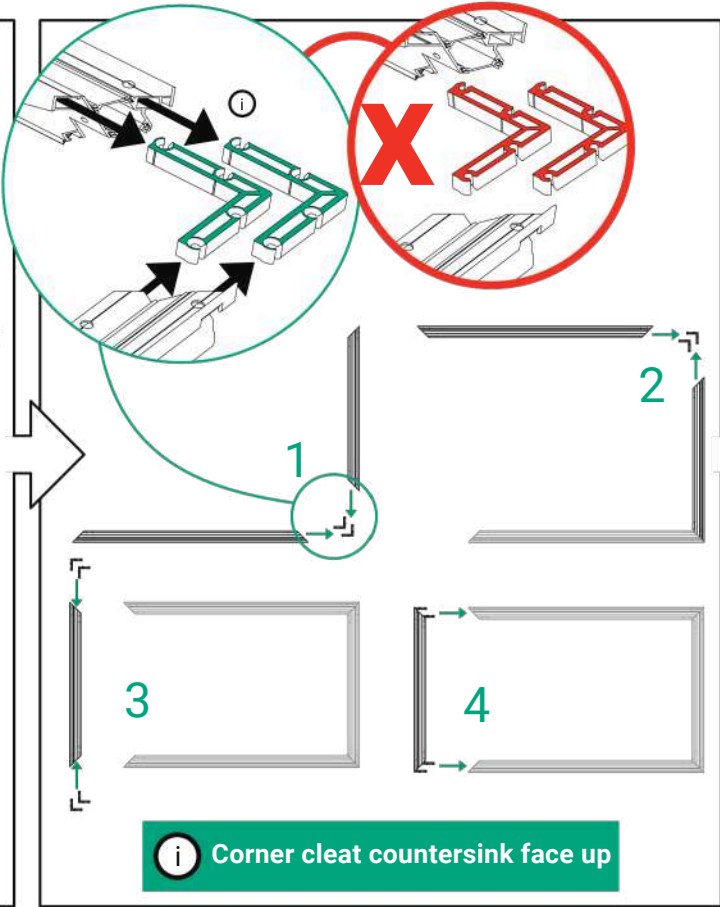
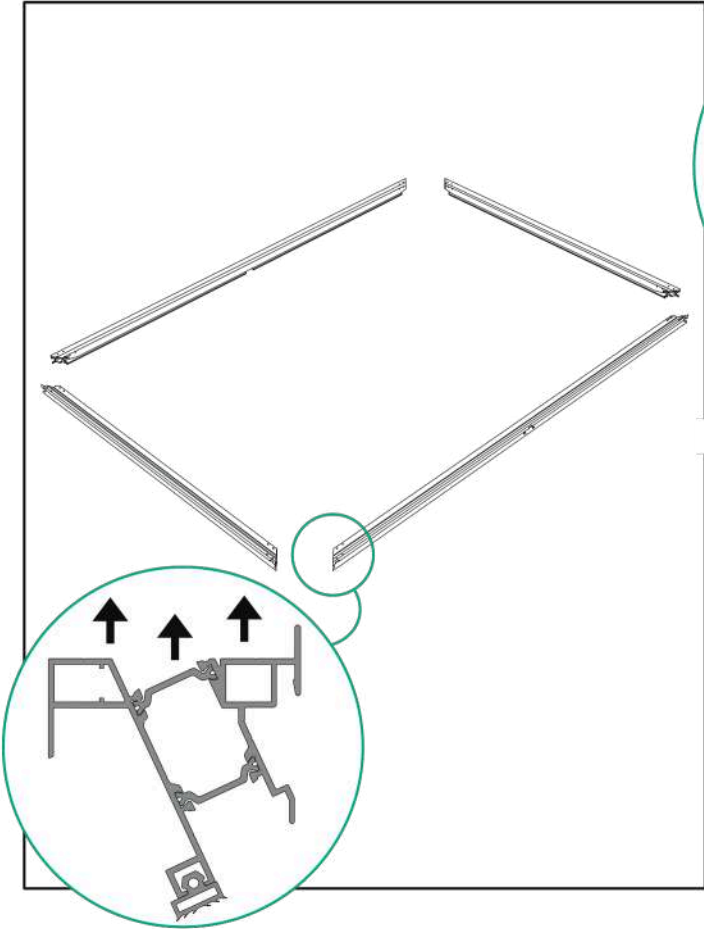
16 x
M6x10mm Corner
Cleat Bolts



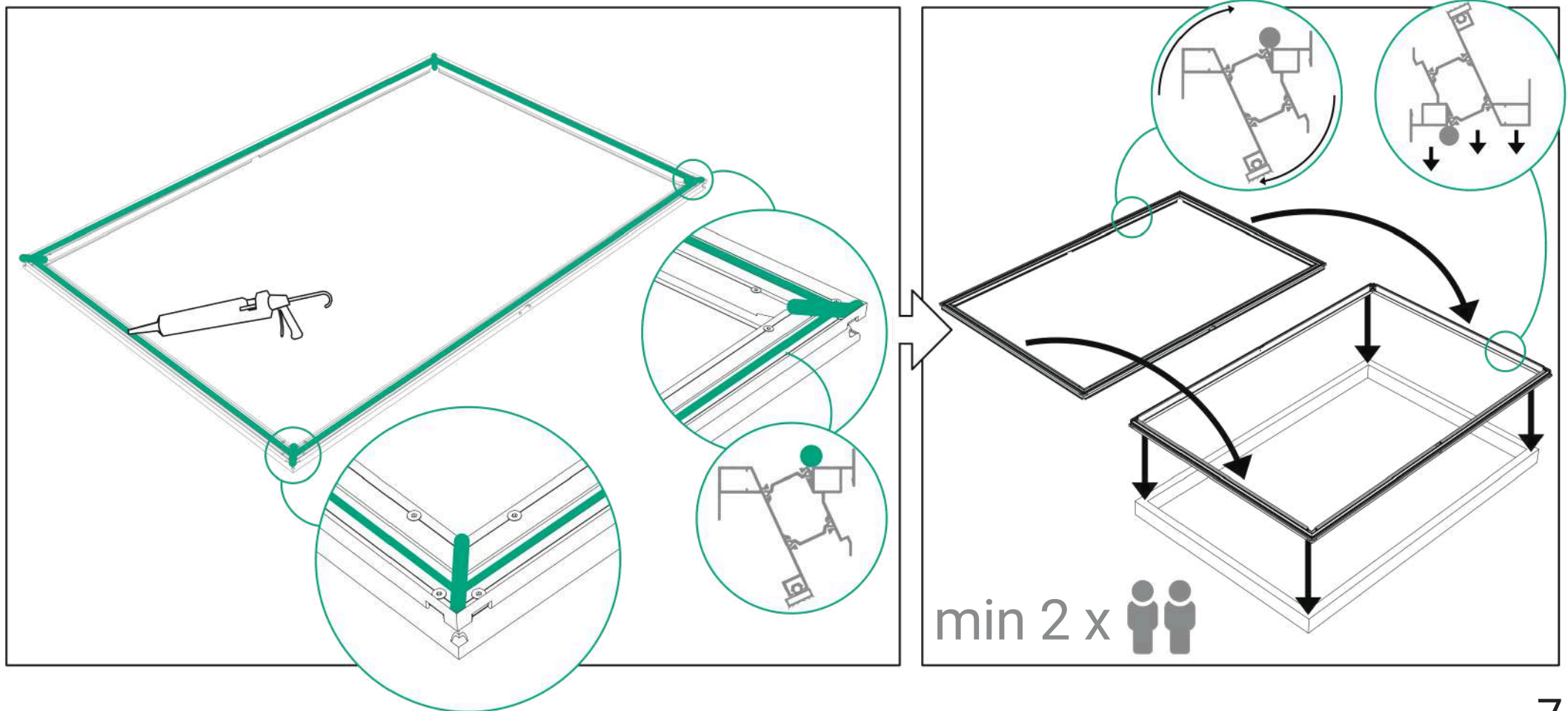
4 x
Kerb Bar



8 x
Corner Cleat



2. Apply sealant then rotate and position frame on upstand



3. Connect spider frame

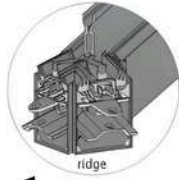
4 & 6 pane lantern only



4 x
M6x40mm
Hip Bolts



4 x
Hip Inner

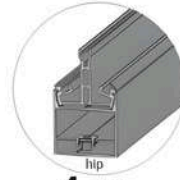


1 x
Ridge Inner

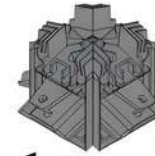
Pyramid only



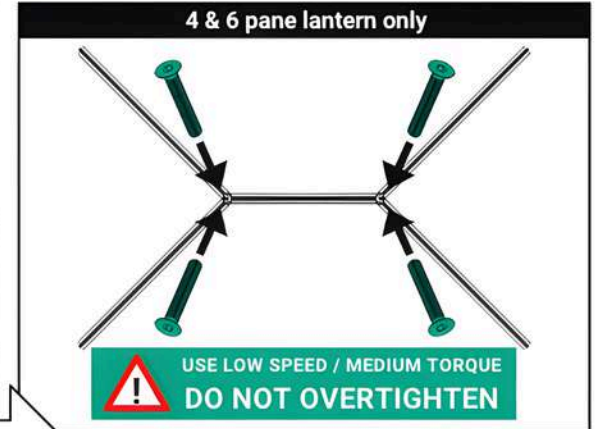
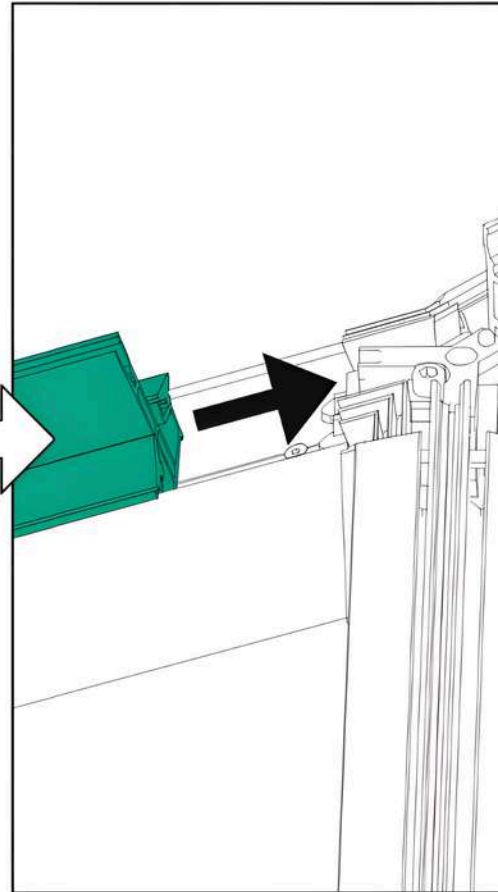
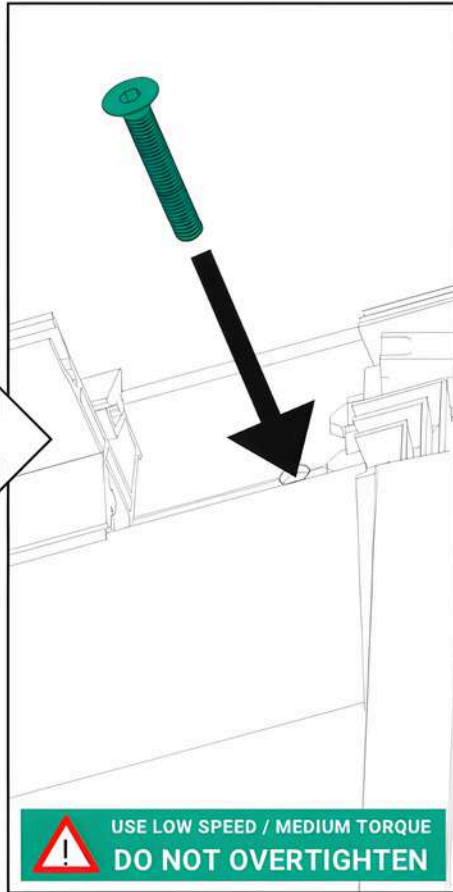
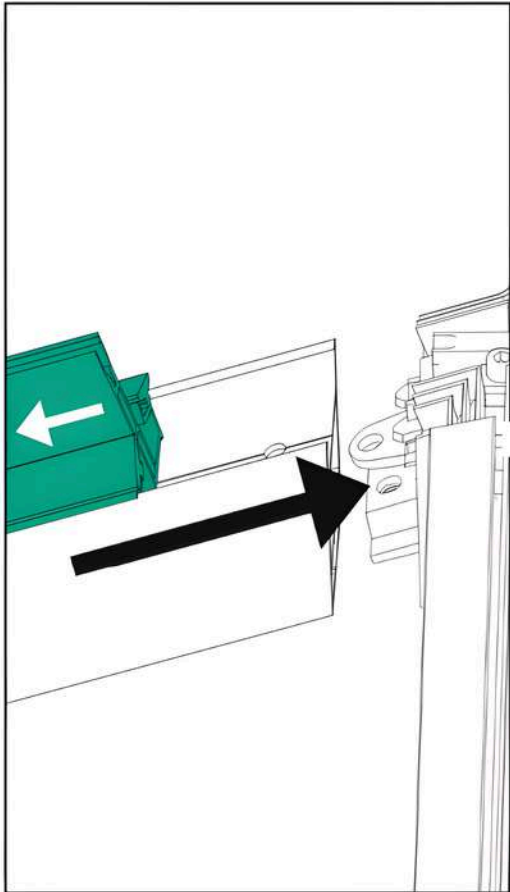
4 x
M6x40mm
Hip Bolts



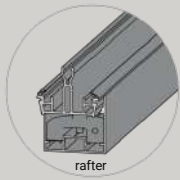
4 x
Hip Inner



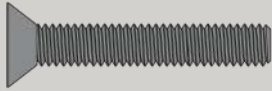
1 x
Inner Casting



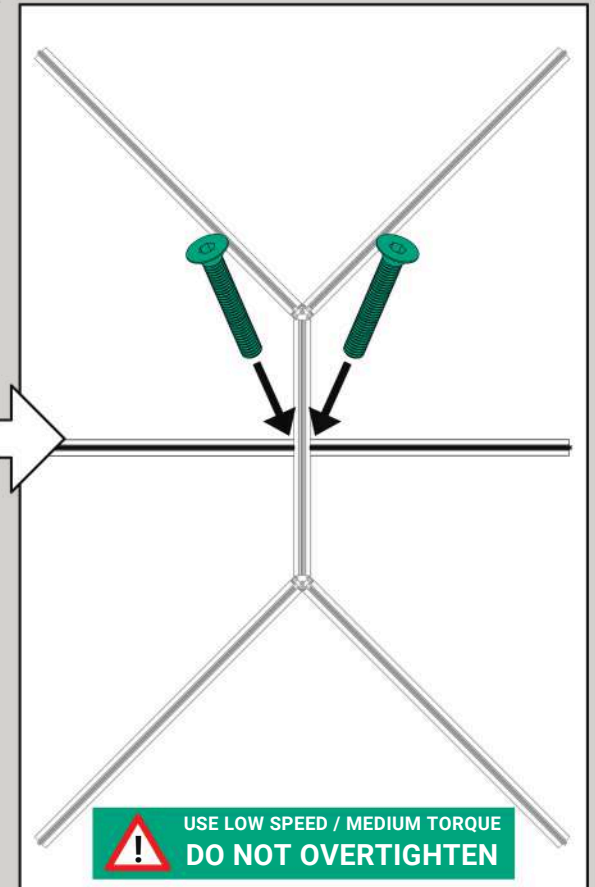
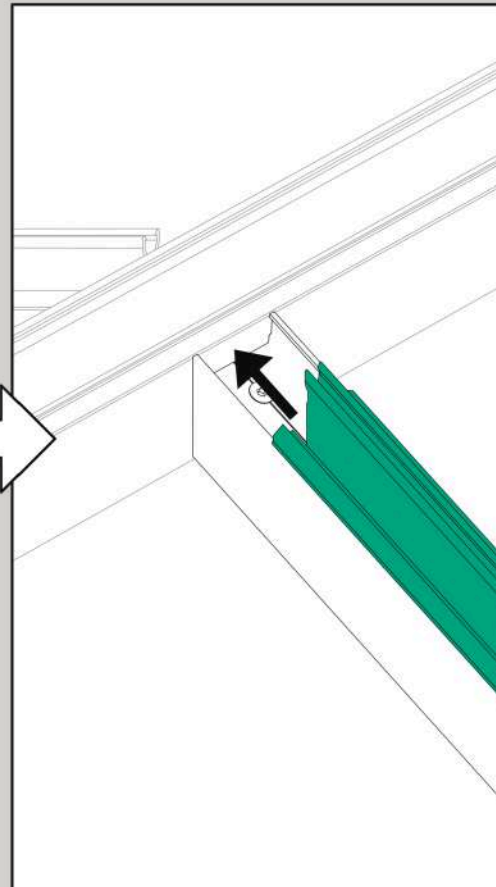
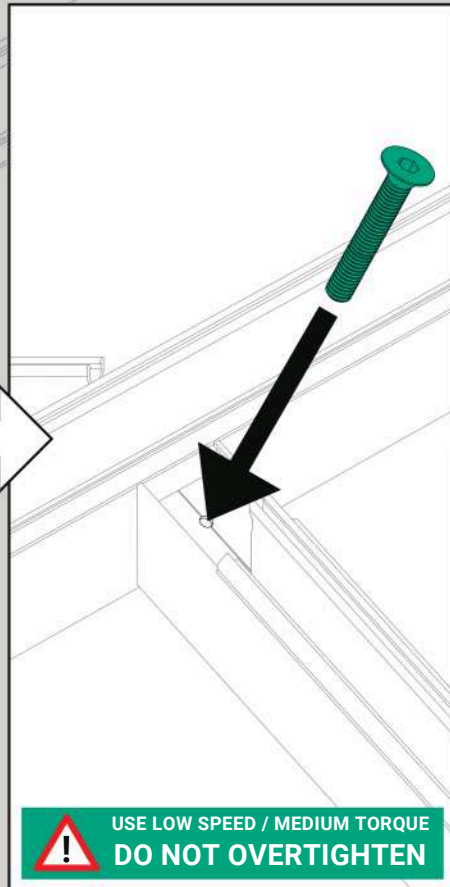
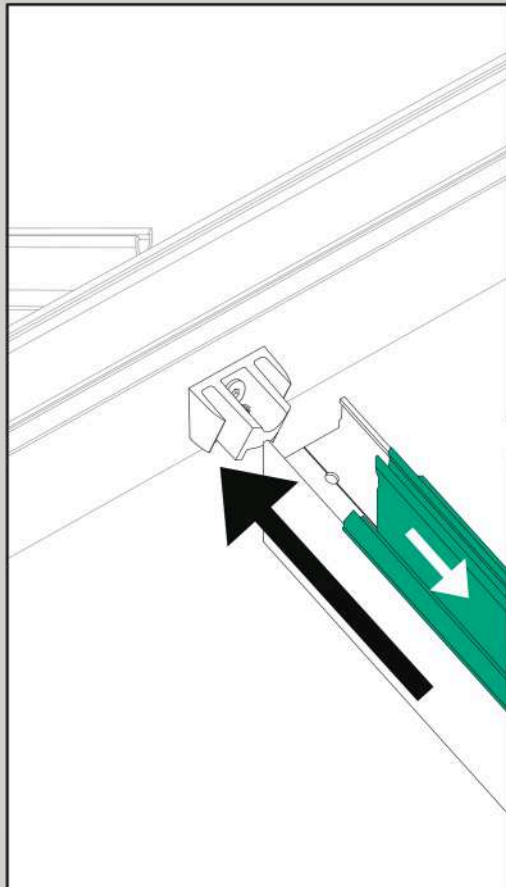
6 pane lantern only



2 x
Rafter Inner

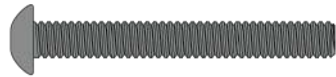


2 x
M6x35mm
Rafter Bolts
(black bolt)



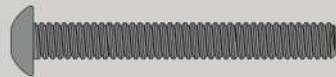
4. Fit spider frame to base frame

4 pane lantern & pyramid only

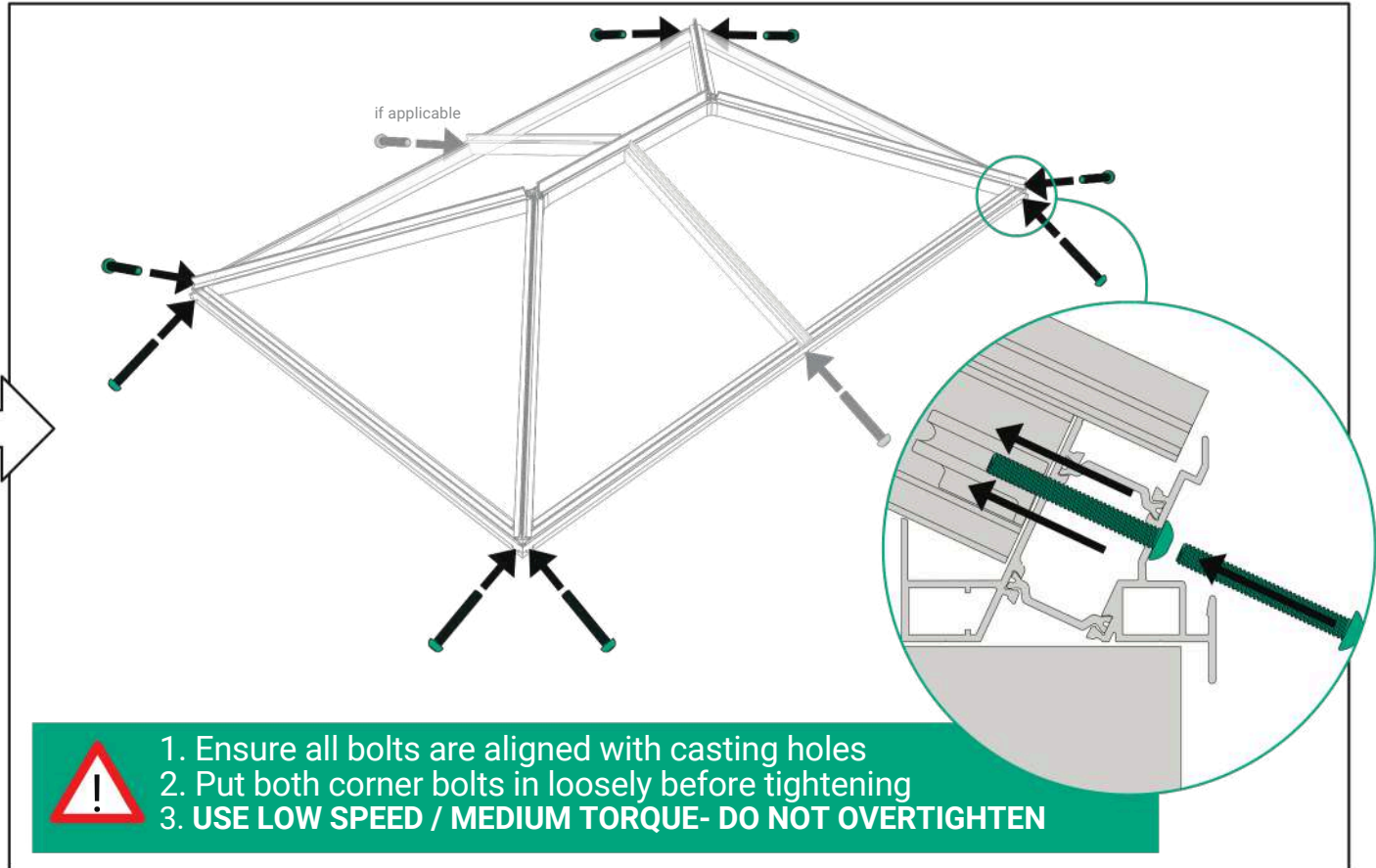
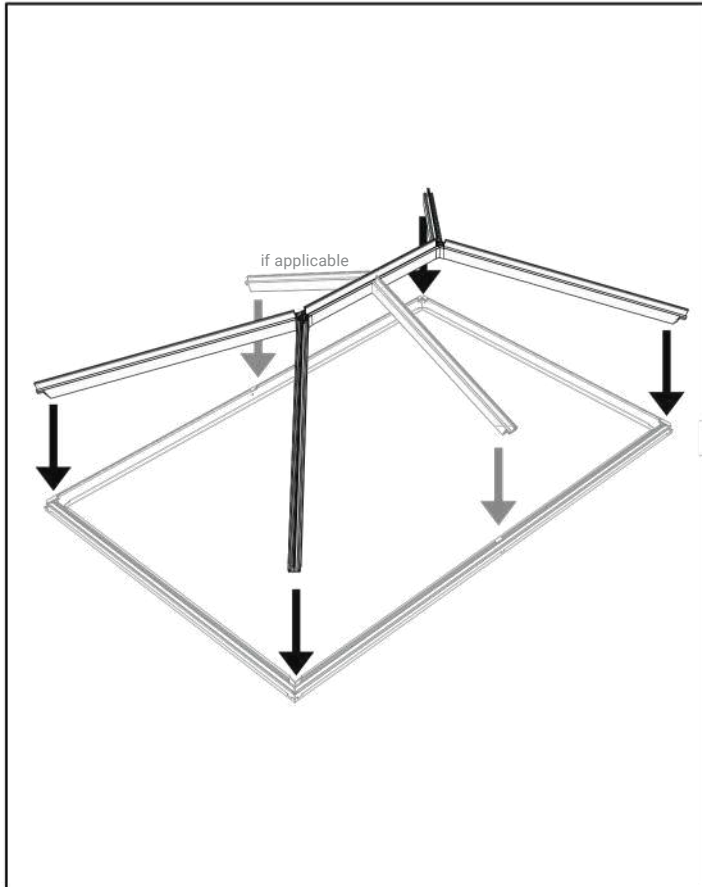


8 x
M6x40mm
Kerb Bolts

6 pane lantern only



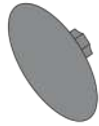
10 x
M6x40mm
Kerb Bolts



5. Fix unit to upstand through pre-drilled holes

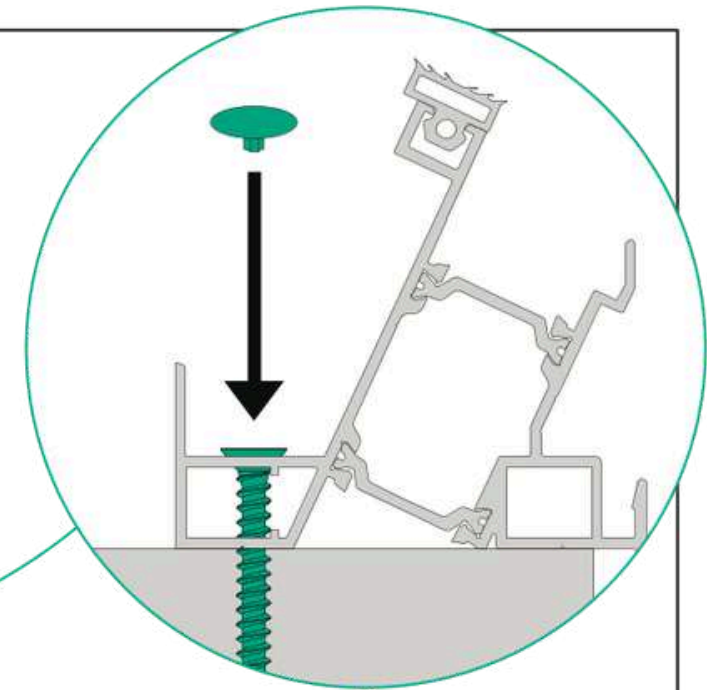
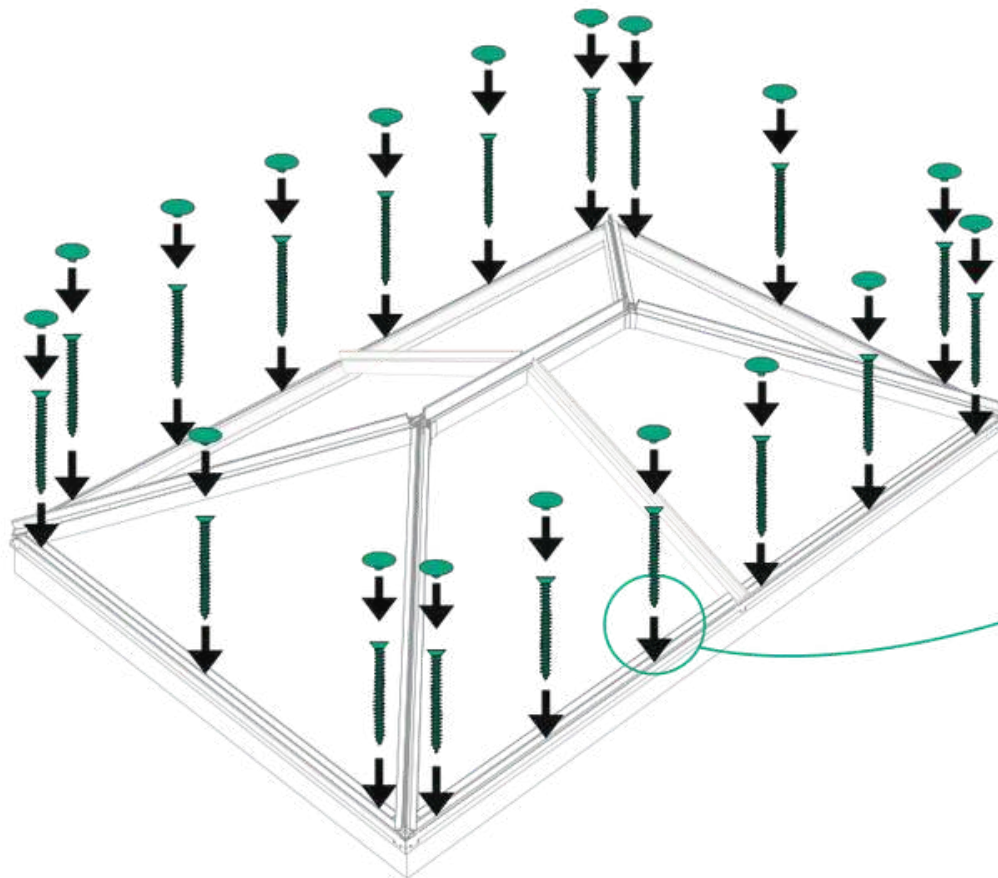


30 x
50mm Kerb Screws



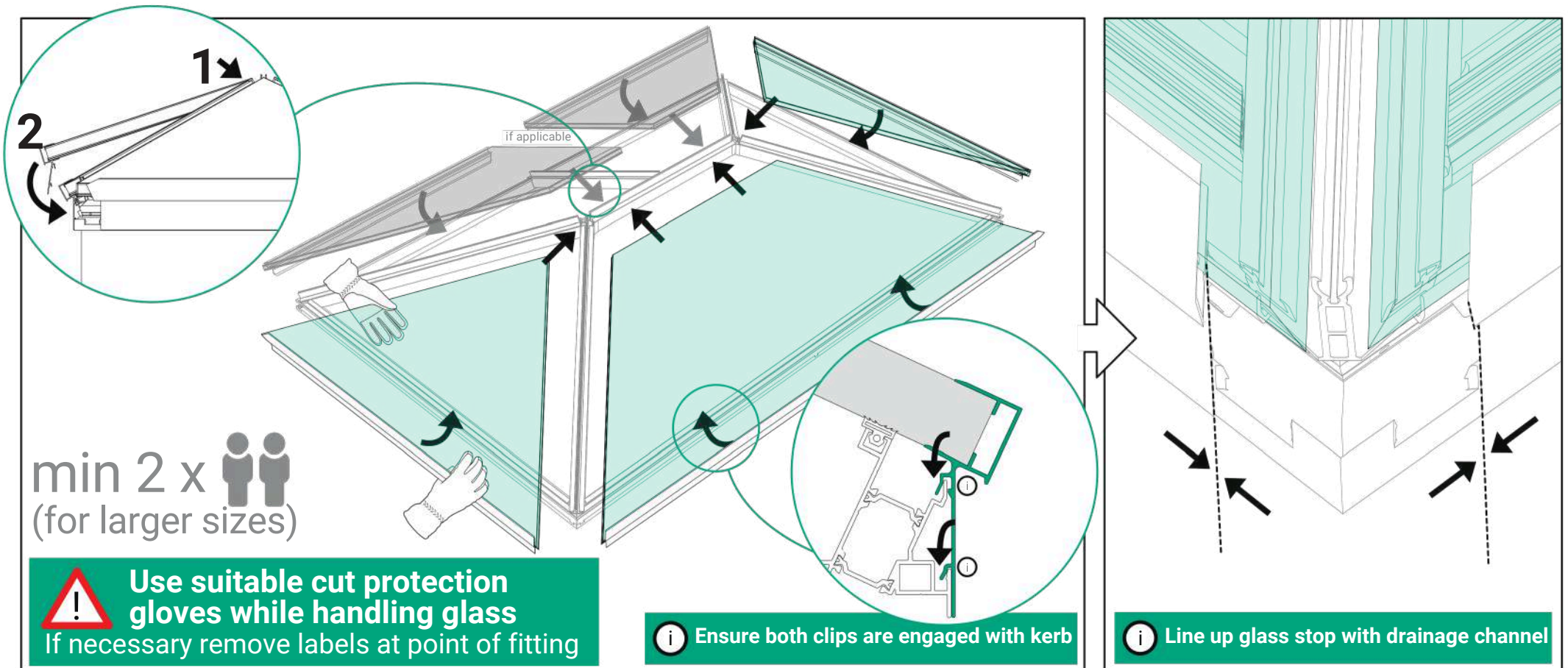
30 x
Kerb Screw Caps

N.B. Roof Lantern is supplied with the maximum fixings required. Smaller sizes will have surplus screws.



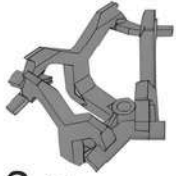
USE HIGH SPEED / MEDIUM TORQUE
DO NOT OVERTIGHTEN

7. Fit glass to frame and align corners



8. Position glazing clamps

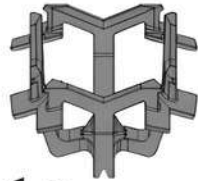
4 & 6 pane lantern only



2 x

Glazing Clamp

Pyramid only



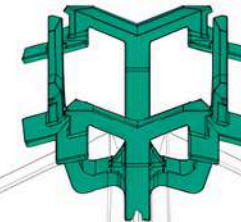
1 x

Glazing Clamp

4 & 6 pane lantern only



Pyramid only



9. Align and clip on hip outers (and rafter outers for 6 pane lantern)

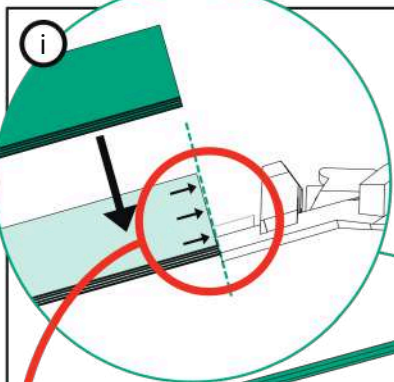


4 x
Hip Outer

6 pane lantern only

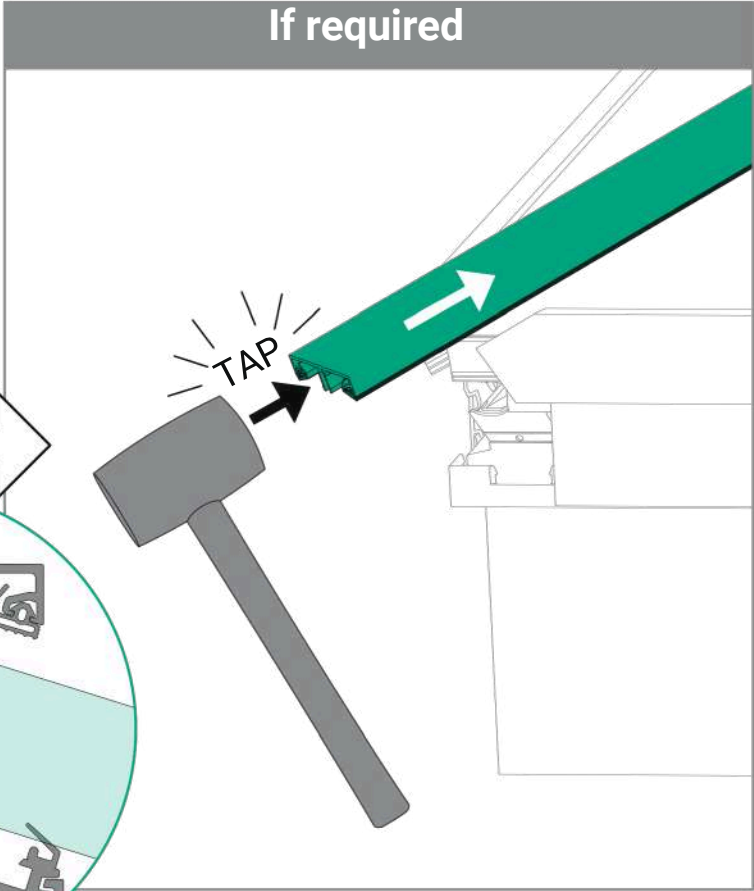
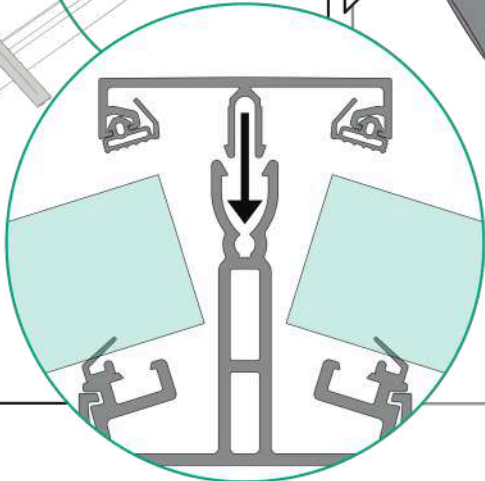
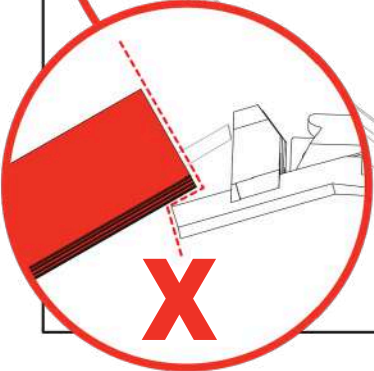


2 x
Rafter Outer

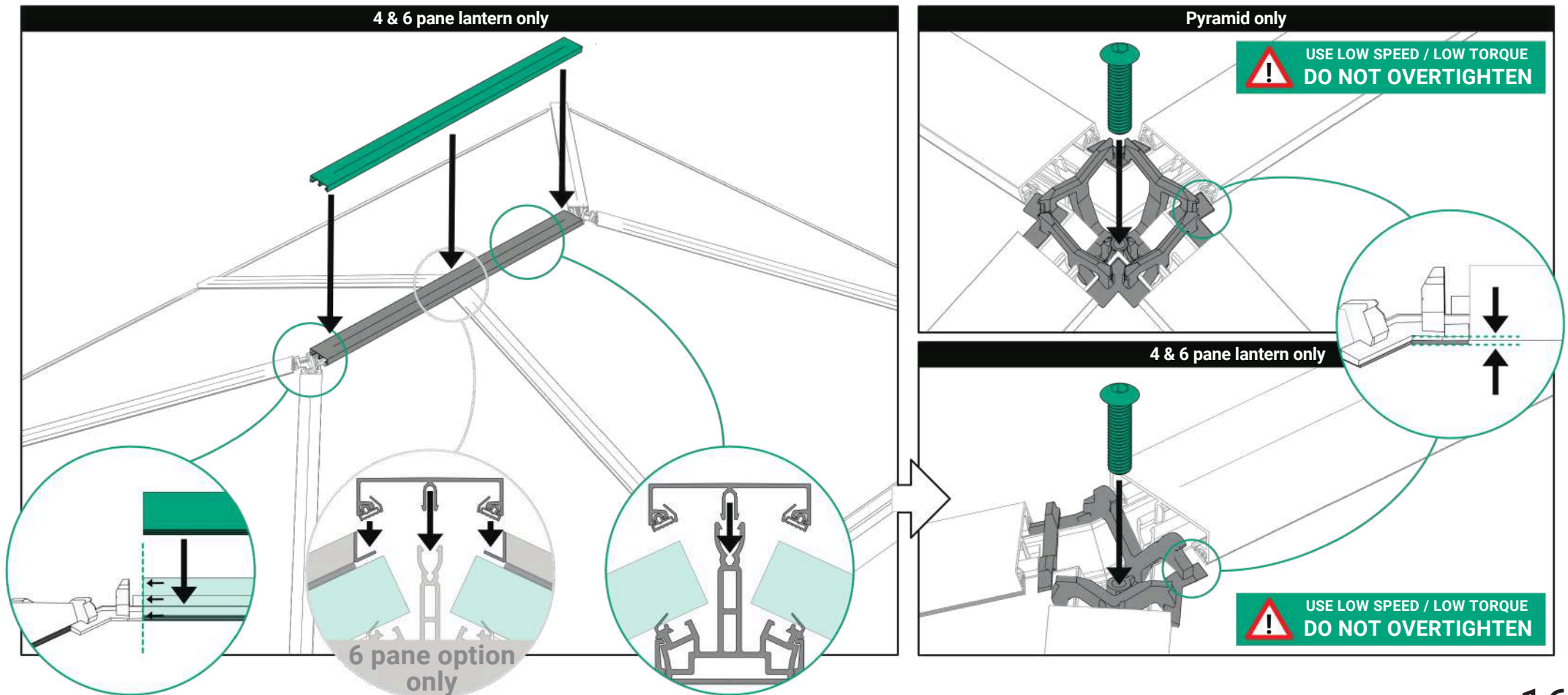
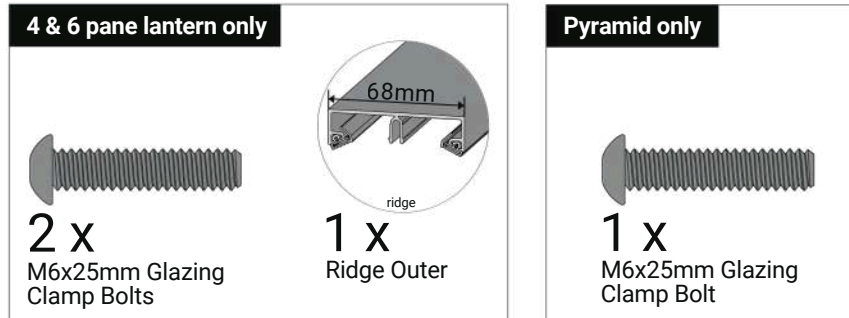


i Align hip outer as shown

if applicable

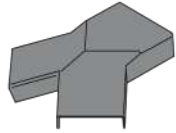


10. Align and clip on ridge outer and fix down glazing clamps



11. Clip on ridge caps

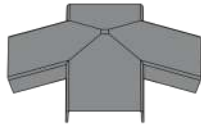
4 & 6 pane lantern only



2 x

Ridge Cap

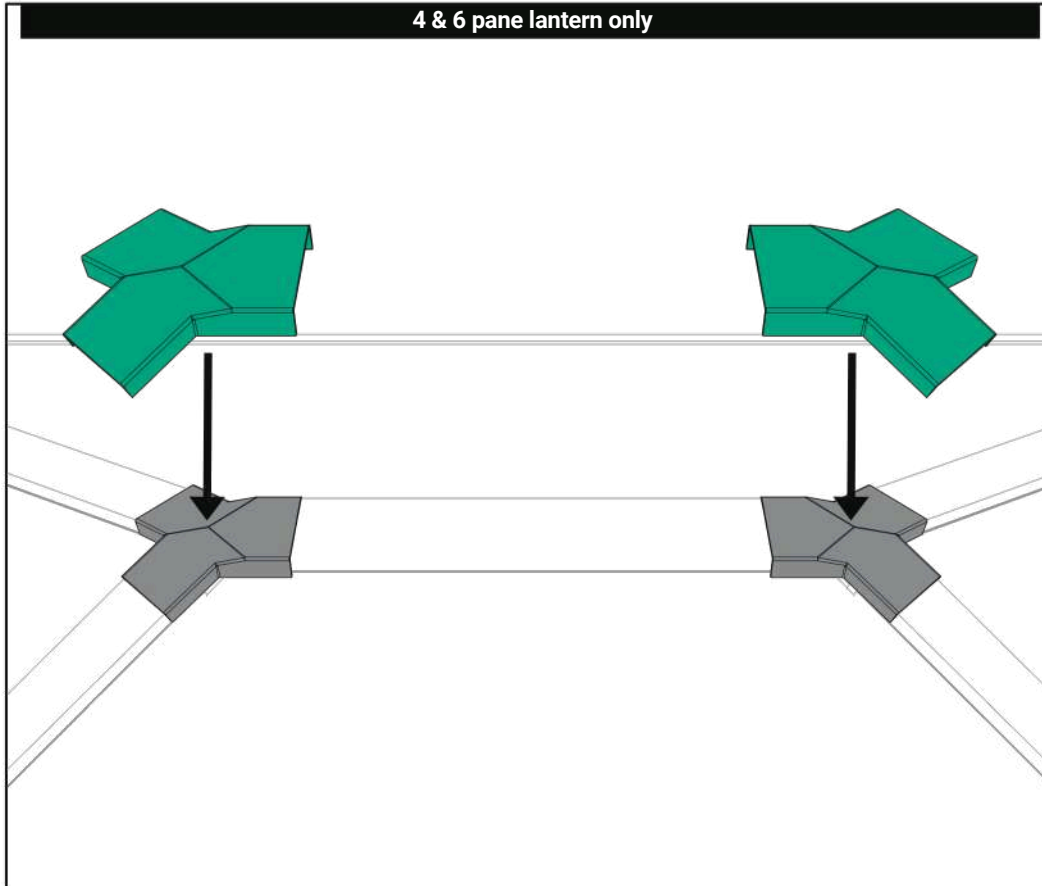
Pyramid only



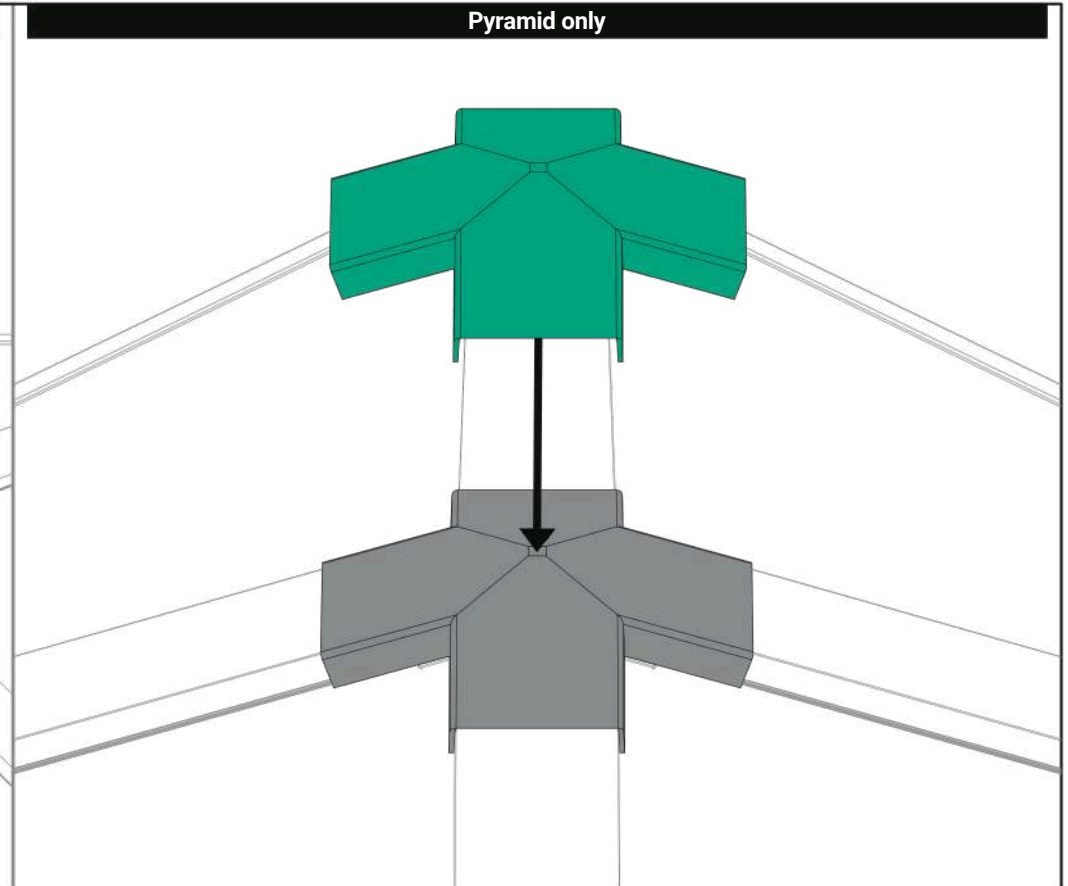
1 x

Ridge Cap

4 & 6 pane lantern only



Pyramid only



12. Attach hip caps



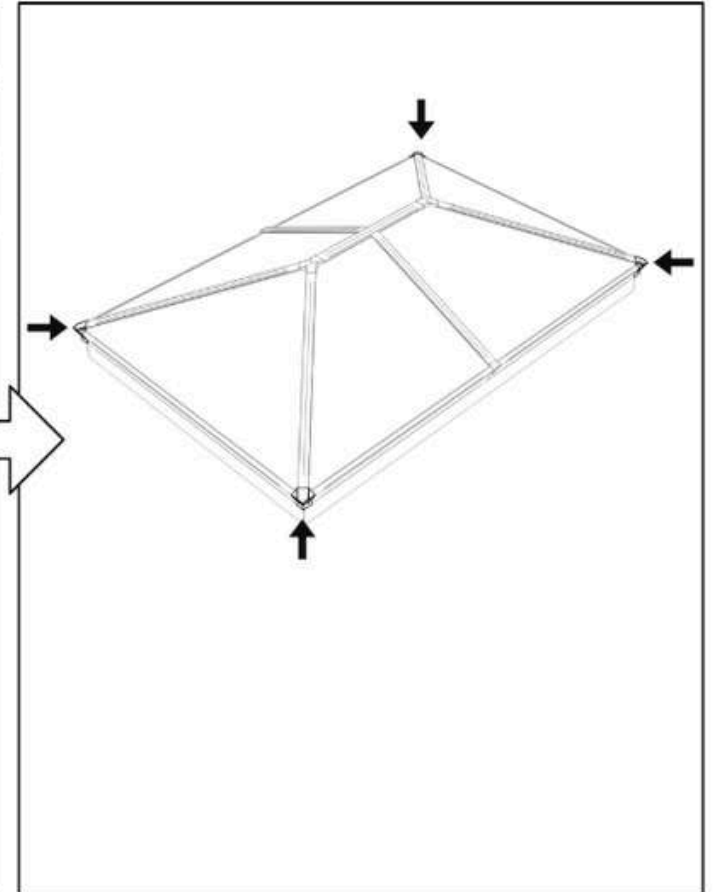
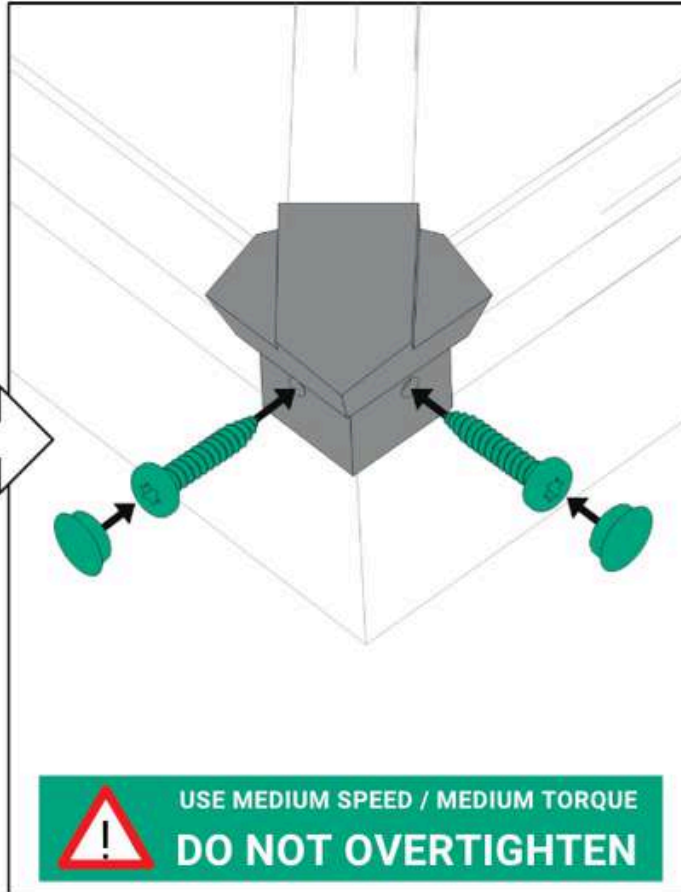
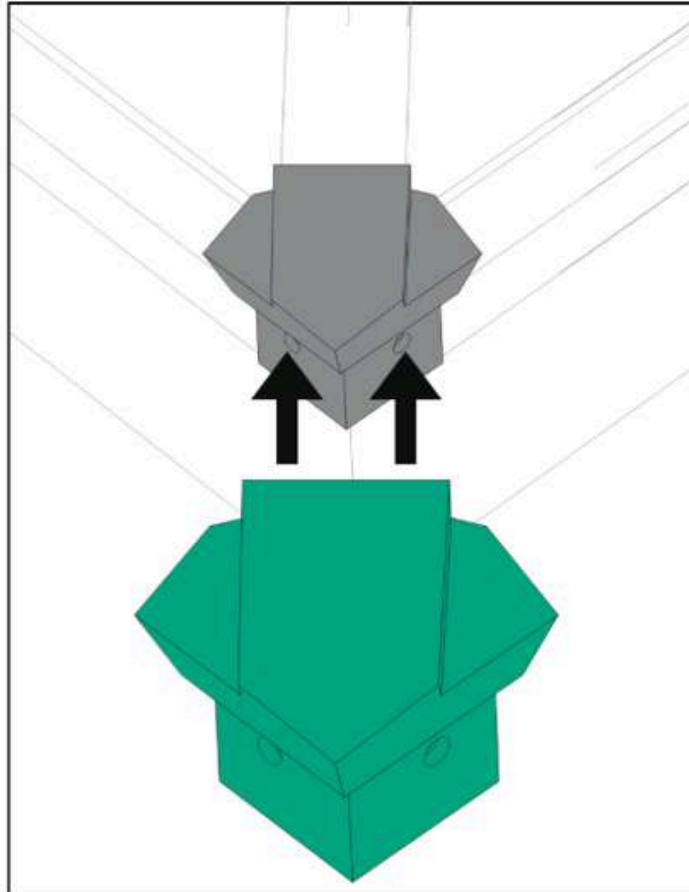
4 x
Hip Cap



8 x
No. 10x25mm
OuterCap Screws



8 x
Cover Cap



13. Attach rafter caps (6 pane lantern only)



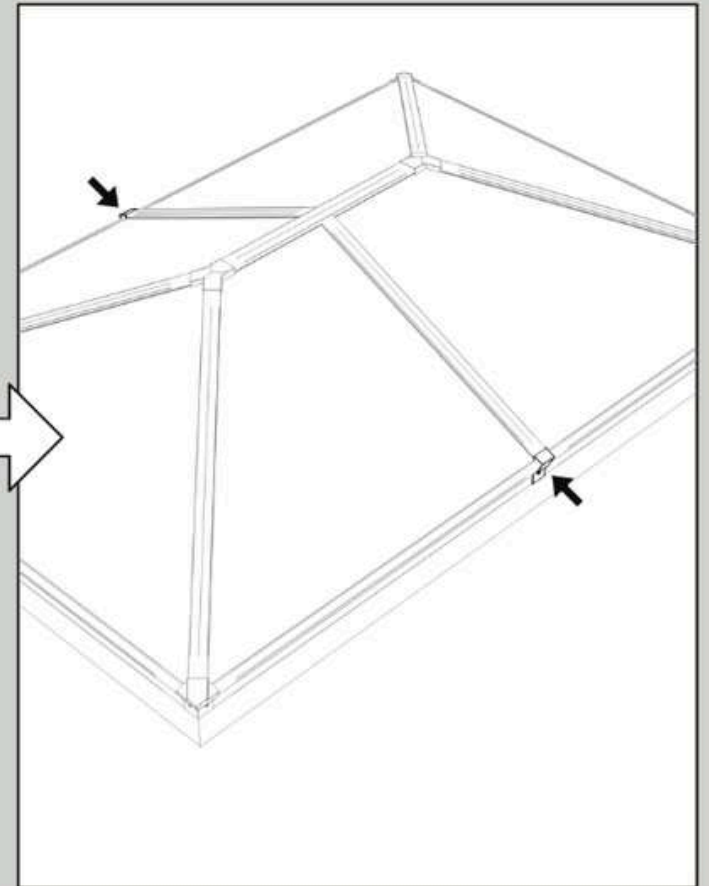
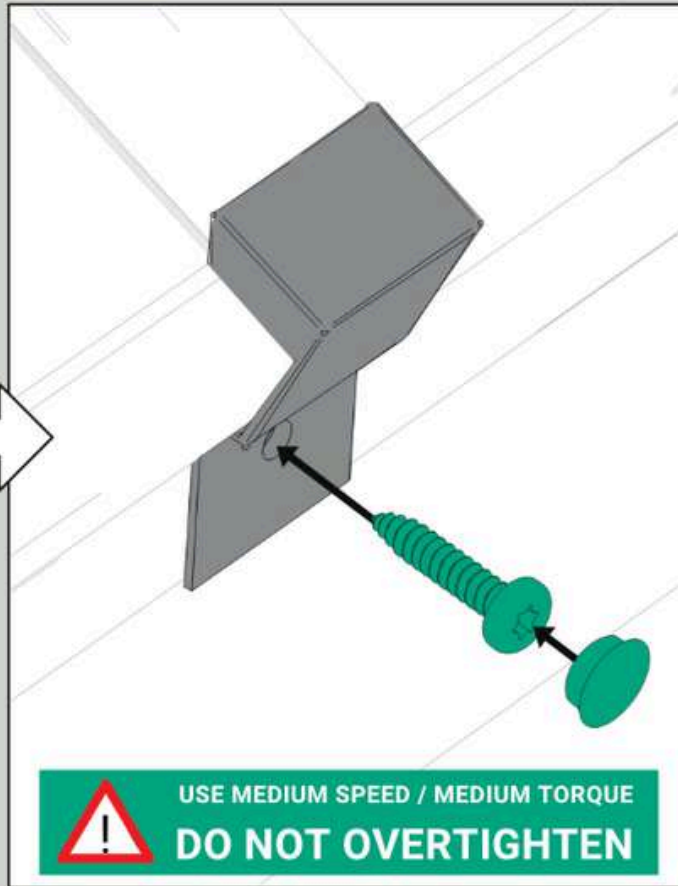
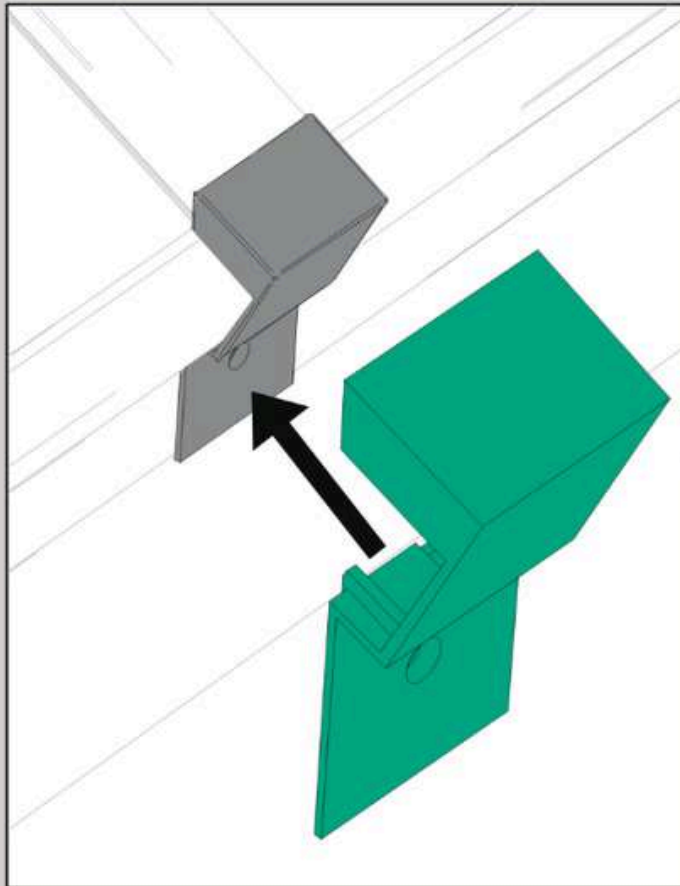
2 x
Rafter Cap



2 x
No. 10x25mm
Outer Cap Screws



2 x
Cover Cap





Skyseal

Unit 24 Swallow Road,
Coventry, CV6 4PU

t: +44 (0) 24 76 707700
e: office@skyseal.co.uk

For the latest information visit
skyseal.co.uk