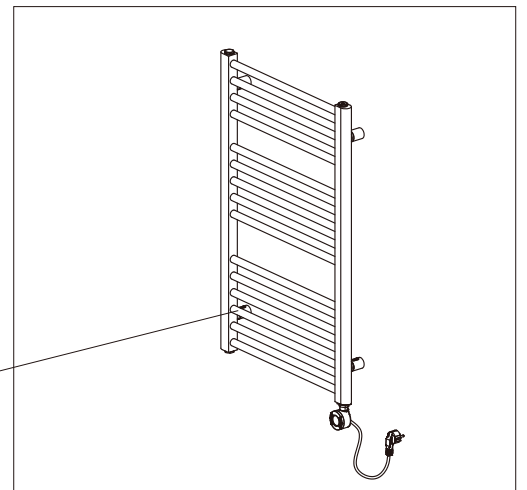
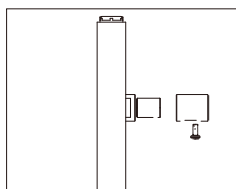
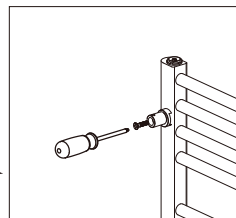
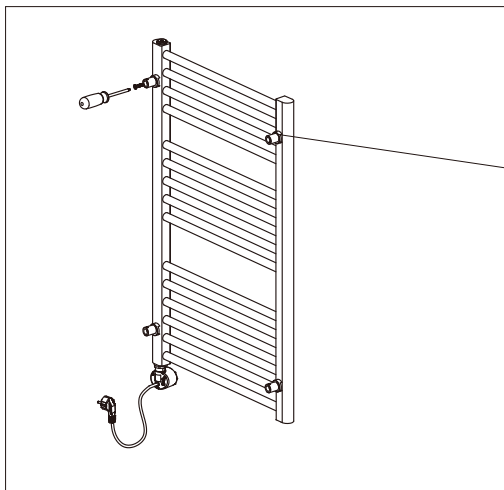
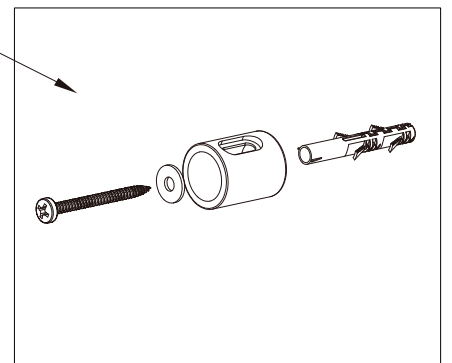
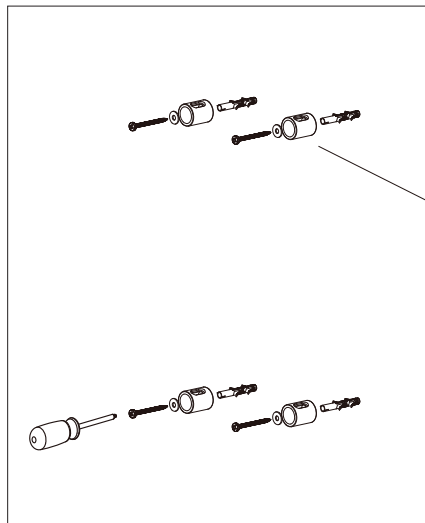
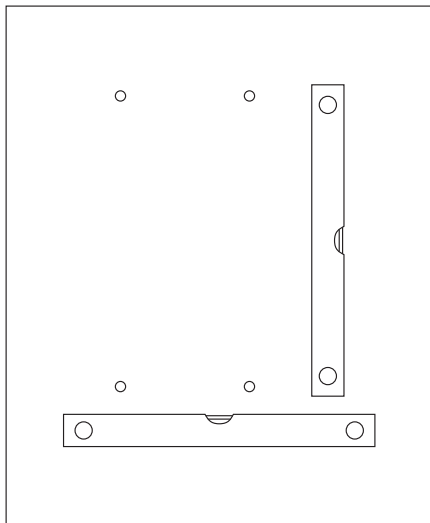
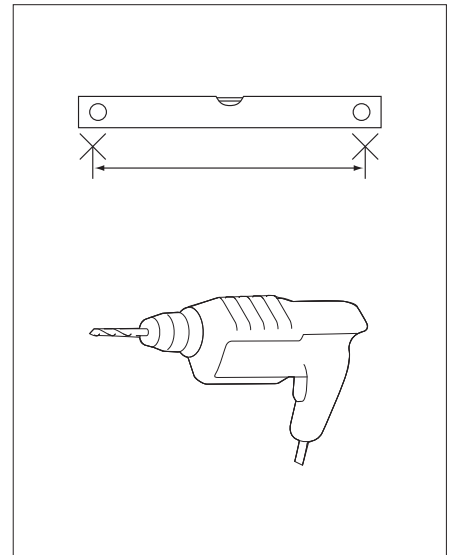
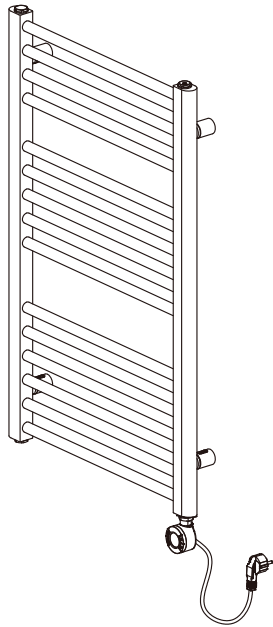
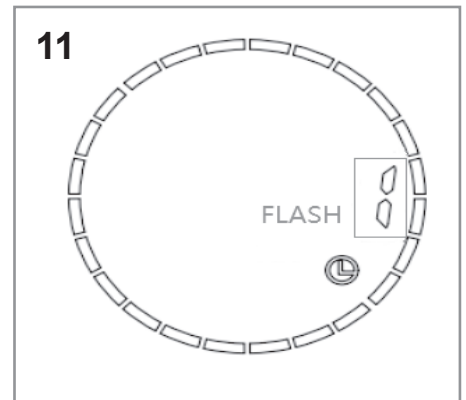
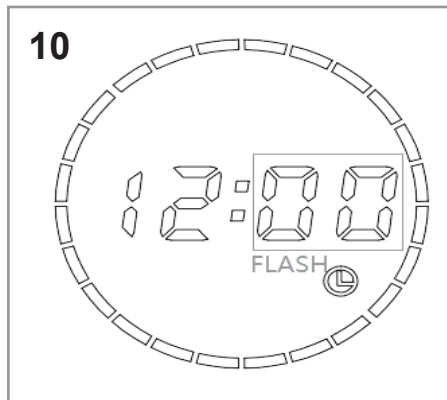
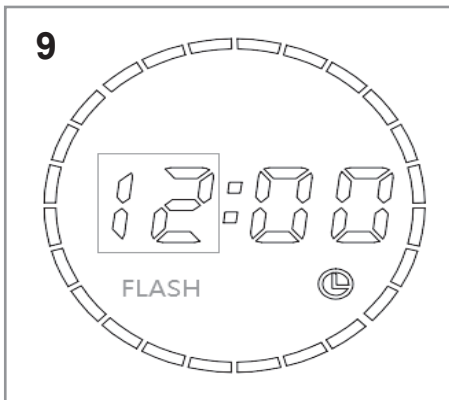
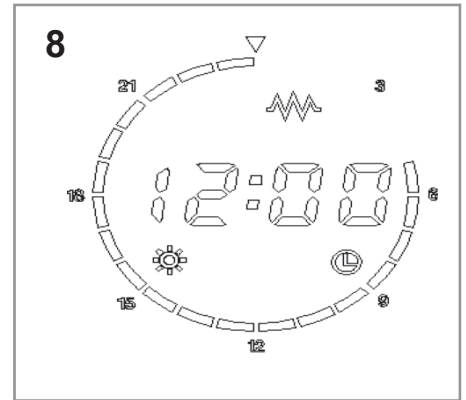
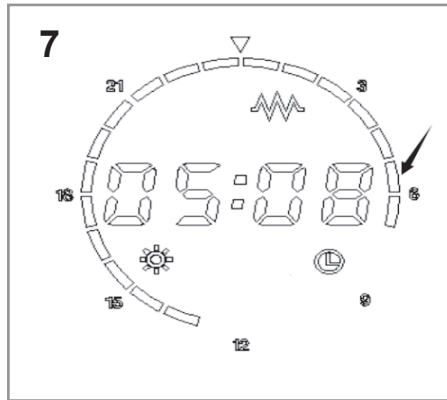
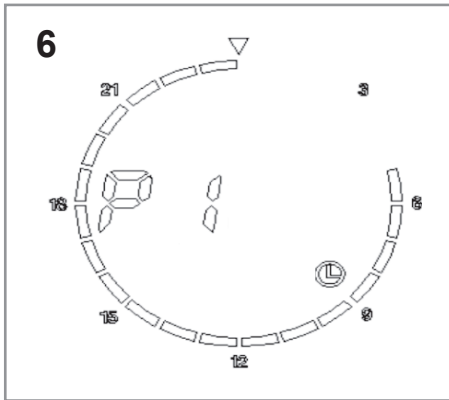
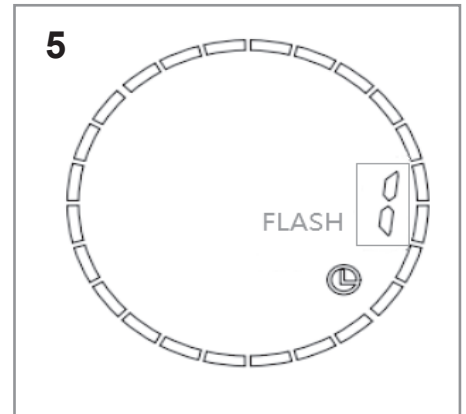
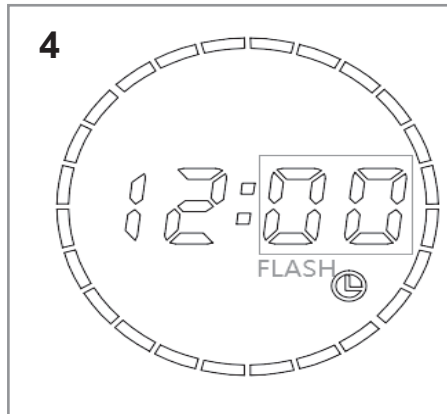
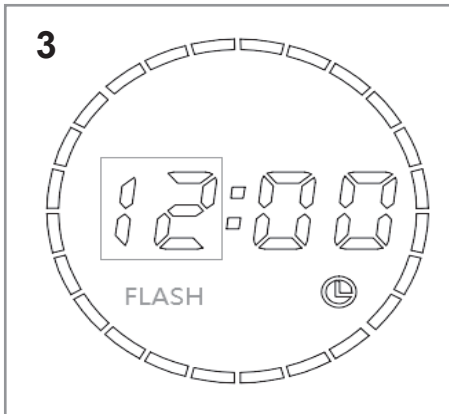
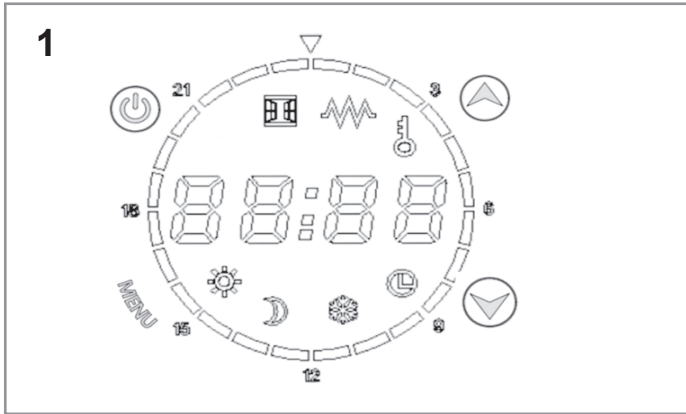


Towel Rail Installation

- Read the instruction sheet carefully before installation.
- Installation should be completed by professional person.
- Please dispose the package properly.



Operation



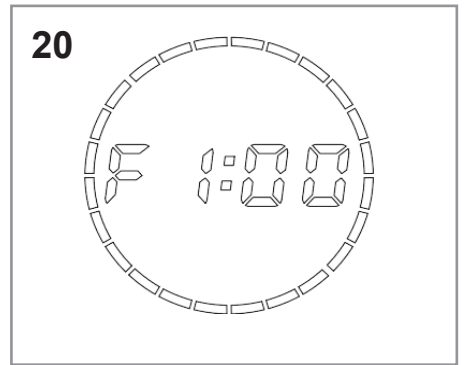
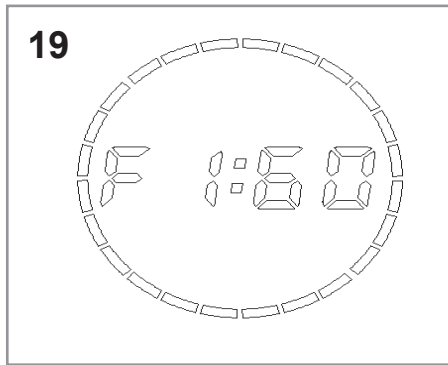
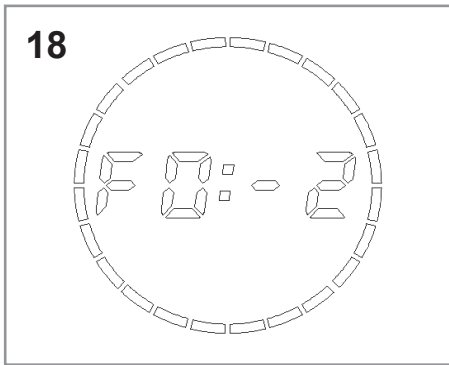
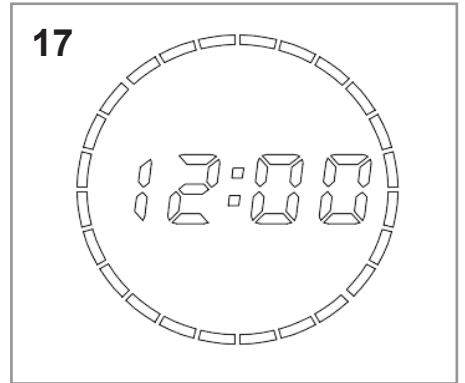
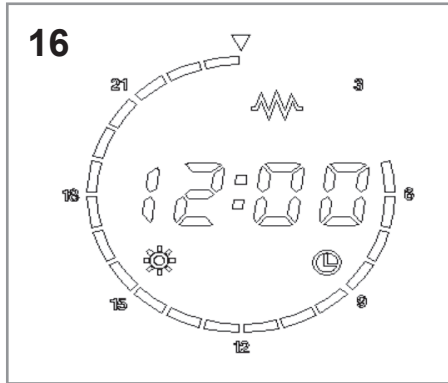
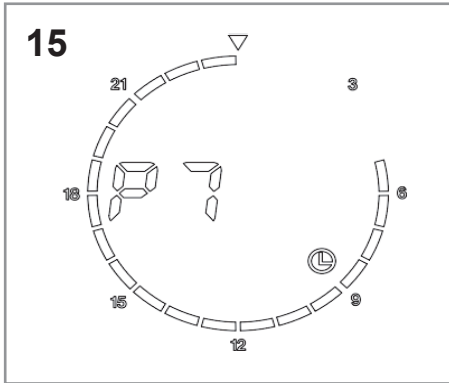
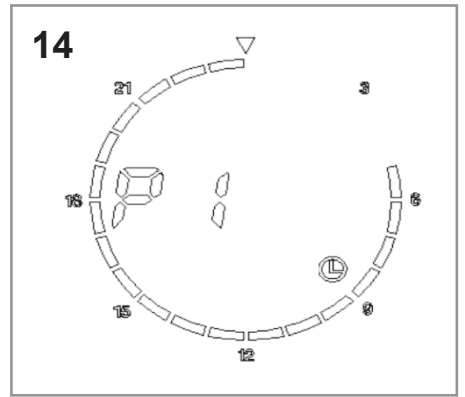
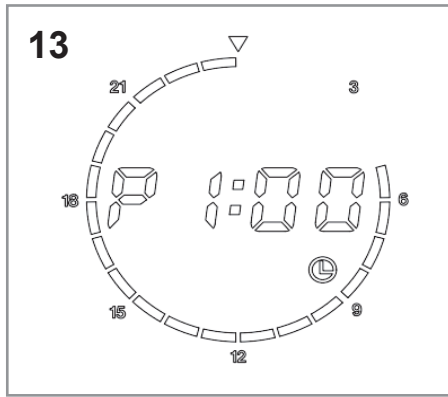
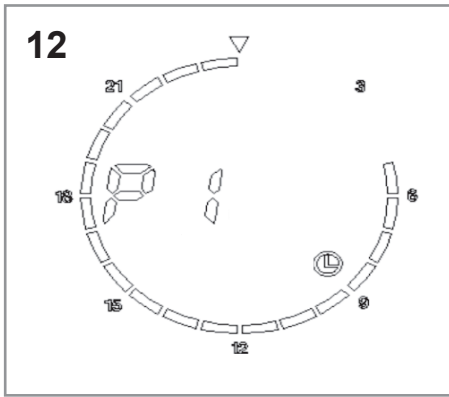


Table of contents

Before you begin...	21
For your safety	21
Assembly	22
Operation	23
Cleaning	24
Faults and remedial measures	24
Preparing for disposal	25
Disposal	25
Technical data	25
Claims for defects	34

Before you begin...

Intended use

The device is intended exclusively for non-commercial operation as a heating device for small rooms.

This product is not intended for commercial use. Generally acknowledged accident prevention regulations and enclosed safety instructions must be observed.

Only perform work described in these instructions for use. Any other use is improper. The manufacturer will not assume responsibility for damage resulting from such use.

What are the meanings of the symbols used?

Danger notices and information are clearly marked throughout these instructions for use. The following symbols are used:



DANGER! Direct danger to life and risk of injury! Directly dangerous situation that may lead to death or severe injuries.



WARNING! Probable danger to life and risk of injury! Generally dangerous situation that may lead to death or severe injuries.



CAUTION! Possible risk of injury! Dangerous situation that may lead to injuries.



NOTICE! Risk of damage to the device! Situation that may lead to property damage.



Note: Information to help you reach a better understanding of the processes involved.

For your safety

General safety instructions

- To operate this device safely, the user must have read and understood these instructions for use before using the device for the first time.
- Observe all safety instructions! Failure to do so may cause harm to you and others.
- Retain all instructions for use, and safety instructions for future reference.
- If you sell or pass the device on, you must also hand over these operating instructions.
- The device must only be used when it functions properly. If the product or part of the product is defective, it must be taken out of operation and disposed of correctly.

- Never use the device in a room where there is a danger of explosion or in the vicinity of flammable liquids or gases.
- Always ensure that a device which has been switched off cannot be restarted unintentionally.
- Do not use devices with an on/off switch that does not function correctly.
- Keep children away from the device! Keep the device out of the way of children and other unauthorised persons.
- Do not overload the device. Do not use the device for purposes for which it is not intended.
- Exercise caution and only work when in good condition: If you are tired, ill, if you have ingested alcohol, medication or illegal drugs, do not use the device, as you are not in a condition to use it safely.
- Ensure that children are not able to play with the device.
- Always comply with all applicable domestic and international safety, health, and working regulations.

Electrical safety

- The device may only be connected to a socket that is correctly installed and grounded.
- The fuse must be a residual current circuit-breaker with a measured residual current of no more than 30 mA.
- Make sure that the power supply corresponds with the connection specifications of the device before it is connected.
- The tool may only be used within the specified limitations for voltage and power (see type plate).
- Do not touch the mains plug with wet hands! Always pull out the mains plug at the plug and not by the cable.
- Do not bend, crush, pull or drive over the power cable, protect from sharp edges, oil and heat.
- Do not lift the device using the cable or use the cable for purposes other than intended.
- Check the plug and cable before each use.
- If the power cable is damaged immediately disconnect the plug. Never use the device if the power cable is damaged.
- If the device is not in use make sure the plug is pulled out.
- Make sure that the device is switched off before plugging in the mains cable.
- Make sure that the device is switched off before unplugging it.
- Disconnect the power supply before transporting the device.
- If the power connection cable of this device is damaged, it must be replaced by the manufacturer or the manufacturer's customer service department or a similarly qualified person in order to prevent risks.

Device-specific safety instructions

- To operate this product safely, the user must have read and understood these instructions for use before using the product for the first time.

- Always keep the operating instructions within reach.
- If you sell or pass on the device, you must also pass on these operating instructions.
- When working on walls, ceiling or floors, pay attention to any installed cables as well as gas and water lines.
- The surroundings must be free of highly-flammable or explosive materials.
- The device may not be operated outdoors.
- The device may never be operated without supervision.
- Never subject the device to water or other liquids.
- The product heats up during operation. Risk of injury!
- The device may not be covered. There is danger of fire.
- Do not use the heater in conjunction with a timer or any other switch capable of automatic activation, as this creates a fire hazard.
- The heater must not be positioned beneath a wall socket.
- Do not use adapters or extension cords.
- This appliance can be used by children aged from 8 years and above and by persons with reduced physical, sensory or mental capabilities or lack of experience and knowledge if they have been given supervision or instruction concerning use of the appliance in a safe way and if they understand the hazards involved. Children shall not play with the appliance. Cleaning and user maintenance shall not be made by children without supervision.
- Children of less than 3 years should be kept away unless continuously supervised.
- Children aged from 3 years and less than 8 years shall only switch on/off the appliance provided that it has been placed or installed in its intended normal operating position and they have been given supervision or instruction concerning use of the appliance in a safe way and understand the hazards involved. Children aged from 3 years and less than 8 years shall not plug in, regulate and clean the appliance or perform user maintenance.
- CAUTION! Some parts of this product can become very hot and cause burns. Particular attention has to be given where children and vulnerable people are present.
- WARNING: This appliance is intended only for drying textiles washed in water.
- Symbols appearing on your device may not be removed or covered. Signs on the device that are no longer legible must be replaced immediately.



Read and observe the instructions for use before using the product for the first time.



To prevent overheating, do not cover the heater!



Caution, hot surface! Danger of being burnt!

Assembly

- ▶ *Necessary tools – p. 3*
- ▶ *Scope of delivery – p. 3*

Safety distances

- ▶ *P. 6, item 1*



DANGER! Danger of electric shock! The product is suitable for operation in Zone 3.



DANGER! Danger of electric shock! Before drilling the holds, make sure that there are no electrical or other lines in the wall.



DANGER! Risk of injury! The device may not be mounted directly below a wall outlet. Danger of cable fires!

- “WARNING: in order to avoid any danger to very young children, it is recommended to install the appliance in such a way as to ensure that the lowest heating bar is positioned at least 600 mm above the ground.”
- “This device must be installed in such a way that switches and other control and/or monitoring devices cannot be touched by a person in the bath or shower.”
- Distance between the equipment and the ceiling is at least 200 mm. Distance on both sides of the wall is at least 250 mm. Distance between the outlet and the bottom is from 150 cm to 180 cm. When the towel rack is mounted on the wall, a minimum distance of 60 cm to the ground are met.
- When the device is mounted in the bath, it should be placed in dry place such as installed on walls in front or behind toilet or beside the door.

Wall mounting



DANGER! Risk to life When drilling, ensure that sufficient space is left between the hole and the power lines located in the vicinity.

There is a high risk of fire or a life-threatening electrical shock.



NOTICE! Property damage When drilling, ensure that sufficient space is left between the hole and the water lines located in the vicinity.

There is a risk of water damage.

- ▶ *P. 8, item 3*

- Before installing the heater, mark the positions you wish to use for the wall brackets on the wall.
- Using a suitable drill, drill the holes in the wall.

Optimum position of the bracket

- ▶ *P. 9, item 4*

- Affix the wall brackets and the heater in accordance with the following diagram.

Operation

Check before switching on!



DANGER! Risk of injury! The device must only be put into operation if no faults are found during the check-up. If any part of the device is defective, it must be replaced before the next use.

Check the safe condition of the device:

- Check whether there are any visible defects.
- Check whether all parts of the device are firmly attached.

Electrical connection

- Connect mains cable to outlet.



DANGER! Risk of injury! The device may not be mounted directly below a wall outlet. Danger of cable fires!

LCD Panel diagram

► P. 12, item 1

[⏻]: On/Off

[MENU]: Menu

[⬆️]: Temperature and time setting

[⬇️]: Temperature and time setting

- Choose mode, press [MENU] button to select the modes in this sequence: Comfort mode – Eco mode – Defrost mode – Timing mode –

LCD Icon

Icon	Description
	Clock
	Week (1 to 7)
	P mode (P1 to P7)
	Temperature
	Comfort mode
	Economy mode
	Defrost mode
	Timing mode
	Open window detection
	Child lock
	Heating

Comfort mode

Setting the temperature in the daytime, available temperature range 7 °C... 30 °C. Default temperature is 19 °C.

Economy mode

Setting the temperature in the night, available temperature range 7 °C... 30 °C. The Max temperature shall not exceed the comfortable temperature. Default temperature is 15 °C.

- Press [⬆️] or [⬇️] to set the temperature, press [⬆️] to increase the temperature.

Defrost mode

Setting the temperature at 7 °C, the unit will turn on at below 7 °C and it will turn off at above 7 °C.

Timing mode

First time use or long time no-use the radiator (or power failure), end user have to set present time and week.

Set time and week:

► P. 12, item 2

- To enter timing mode, press model icon [MENU] 5s until hour set [12] flashes.

► P. 12, item 3

- Press [⬆️] and [⬇️] to set hour, if no operation for 30s, it will jump to minute setting.

► P. 12, item 4

- Short press mode icon [MENU] until minute [00] flashes, then press [⬆️] and [⬇️] to adjust. if no operation for 30s, it will jump to week setting.

► P. 12, item 5

- Short press mode icon [MENU] until week [1] flashes, then press [⬆️] and [⬇️] to choose week-day.
 - 1 = Mon, 2 = Tue, 3 = Wed, 4 = Thu, 5 = Fri, 6 = Sat, 7 = Sun.

► P. 12, item 6

- Short press mode icon [MENU], then [P1] shows.
- Short press [⬆️] and [⬇️] to choose mode (P1–P7).
- After setting, short press menu icon [MENU] and jump to P mode. Then press [MENU] until [P1:00] shows

Example

► P. 12, item 7

Icon	Description
	Heating state is on
	Comfort mode is on
	Current time
	Timing mode
Example	13:00-07:00
	Current operating position: flashes

► P. 12, item 8

P Mode (P1–P7)

(End users can use P mode to check and modify the settings for each day of the week. P1–P7 presents Monday to Sunday. The default setting from Monday to Sunday is from 5:00 to 23:59 running comfort mode and from 24:00 to 04:59 running economy mode. And you can modify the default settings by yourself.)

Example:

Set current time (12:00) and weekday (Monday) and then modify the default P1–7 (Monday to Sunday) setting.

- ▶ *P. 12, item 9*
 - Press model icon **[MENU]** 3s until flashes **[12]**.
- ▶ *P. 12, item 10*
 - Then press mode icon **[MENU]**, flashes **[00]**.
- ▶ *P. 12, item 11*
 - Press mode icon **[MENU]**. Flashes **[1]** and press **[▲]** set Tuesday.
- ▶ *P. 13, item 12*
 - Press model icon **[MENU]**.
- ▶ *P. 13, item 13*
 - Press mode icon **[MENU]** 5s until **[00]** flashes. Press **[▲]** and **[▼]** to adjust P1 mode (Press **[▲]** to run Comfort mode and press **[▼]** to run Economy mode).
- ▶ *P. 13, item 14*
 - After choosing the mode you need then press model icon **[MENU]** to exit.
- ▶ *P. 13, item 15*
 - Press mode icon **[MENU]** can switch from P1 to P7. P1 presents Monday and press mode icon **[MENU]** to Sunday, then press mode icon **[MENU]** to exit. if no operation for 30s, it will jump to time mode set.
- ▶ *P. 13, item 16*
 - Press mode icon **[MENU]** to return to time mode.

Child lock

To avoid misoperation, end user can set child lock to lock current mode. Press **[▲]** and **[▼]** at same time 3s until Child lock icon **[🔒]** lights on, current mode is locked; except end user press on/off icon **[⏻]**, other operations are invalid. If dismiss child lock, press **[▲]** and **[▼]** at same time 3s until Child lock icon **[🔒]** lights off.

Internal setting and description

Press **[▲]** 10s in power off state, enter into internal setting, then short press **[MENU]** to switch mode, press **[▲]** and **[▼]** to set.

Temperature compensation setting (F0) – Window open detection (F1)

Window open detection (F1):

[0] means window open detection is off.

[60]/[90] In heating state, when environment temperature drops 5 °C within 5mins, indicating the window is open, Window open detection is start (when unit works in Defrost mode).

The unit stops heating for 60 or 90mins when the temperature is 10 °C, then enter into previous mode. If environment temperature drops 5 °C, within 5mins again, Window open detection starts again and heating stops for 60 or 90mins again. Run in this cycle.

Temperature compensation setting (F0):

Temperature compensation means that when the unit couldn't sense the temperature correctly, you can adjust the temperature manually.

- ▶ *P. 13, item 17*
 - On stand by mode, press **[▲]** 10s.
- ▶ *P. 13, item 18*
 - Temperature compensation setting when temperature is not correct. Press **[▲]** when in power off state into the temperature compensation setting, the range is from 5 °C to -5 °C, short press **[MENU]** to exit current setting.
- ▶ *P. 13, item 19*
 - Press **[▲]** to start open window detection, end user can re-start heating timing set, choose from **[0]**, **[60]**, **[90]** mins; after setting, short press **[MENU]** to switch to other modes.
- ▶ *P. 13, item 20*
 - Press **[▼]** set **[0]** to stop open window detection.

Power failure memory function:

If into power failure suddenly, the working state is lock at the moment of power failure; when into power on, it automatically restore previous mode, except timing mode need to be reset, other modes saved.

Restore factory setting:

The system will start to restore the factory setting automatically and enter into the power off states when press the **[⏻]** 10s. Then press **[⏻]** and the temperature is 19 °C in comfort mode, the temperature is 15 °C in the economy mode. The time is **[12:00]**, week is **[1]**, **[P1–P7]** is the default setting, all the timing contents are restored to the factory settings.

Cleaning



DANGER! Risk of injury! Before all work on the device, always disconnect the mains plug.



NOTICE! Product damage! Never use detergents or solvents for cleaning. This can cause irreparable damage to the product. The plastic parts can be eaten away by chemicals.

- Switch off the device and let it cool off completely.
- Pull out the plug.
- Wipe the device with a slightly damp cloth.

Faults and remedial measures

When something isn't working...



DANGER! Risk of injury! Improperly performed repairs can lead to the device not functioning safely. This endangers yourself and your environment.

Malfunctions are often caused by minor faults. You can easily remedy most of these yourself. Please consult the following table before contacting the vendor. You will save yourself a lot of trouble and possibly money too.


Fault/malfunction	Cause	Remedial measure
Device does not heat	Is the device switched off?	Switch on the device or set the desired heat level.
	Is the temperature regulator set too low?	Set the temperature regulator higher.
	No mains voltage?	Check cables, plugs, outlets and fuse.

If you can't fix the fault yourself, contact your nearest vendor. Please be aware that any improper repairs will also invalidate the warranty and additional costs may be incurred.

Wrong alarms:

Phenomenon	instruction
The temperature sensor is in short circuit state or the temperature is exceed 55 °C	The temperature indicate Er

Preparing for disposal

 **NOTICE! Environmental pollution!** The device is filled with a particular quantity of special oil. Repairs which require the opening of the oil tank may only be carried out by the manufacturer or its customer service partner.
Follow guidelines with respect to disposal of the oil and scrapping of the device.

Disposal

Disposal of the appliance

A crossed-out wheellie bin icon means: Batteries and rechargeable batteries, electrical or electronic devices must not be disposed of



with household waste. They may contain substances that are harmful to the environment and human health.

Consumers must dispose of waste electrical devices, spent portable batteries and rechargeable batteries separately from household waste at an official collection point to ensure that these items are processed correctly. Information on returning these items is available from the seller. Sellers are required to accept these items free of charge.

Batteries and rechargeable batteries, which are not permanently installed in waste electrical devices, must be removed prior to disposal and must be disposed of separately. Lithium batteries and battery packs in all systems must only be returned to a collection point when discharged. Batteries must always be protected against short circuits by covering the poles with adhesive tape.



All end users are responsible for deleting any personal data stored on waste devices prior to their disposal.

Disposal of the packaging

The packaging consists of cardboard and correspondingly marked plastics that can be recycled.

- Make these materials available for recycling.



Technical data

Nominal voltage	230 V~, 50 Hz
Protection class	I

Information requirements for electric local space heaters

Model identifier(s):

AF-DK Item	Unit
Type of heat input, for electric storage local space heaters only	
manual heat charge control, with integrated thermostat	[no]
manual heat charge control with room and/or outdoor temperature feedback	[no]
electronic heat charge control with room and/or outdoor temperature feedback	[no]
fan assisted heat output	[no]

Type of heat output/room temperature control

single stage heat output and no room temperature control [no]

Two or more manual stages, no room temperature control [no]

with mechanic thermostat room temperature control [no]

with electronic room temperature control [no]

electronic room temperature control plus day timer [no]

electronic room temperature control plus week timer [yes]

Other control options

room temperature control, with presence detection [no]

room temperature control, with open window detection [yes]

with distance control option [no]

with adaptive start control [no]

with working time limitation [no]

with black bulb sensor [no]