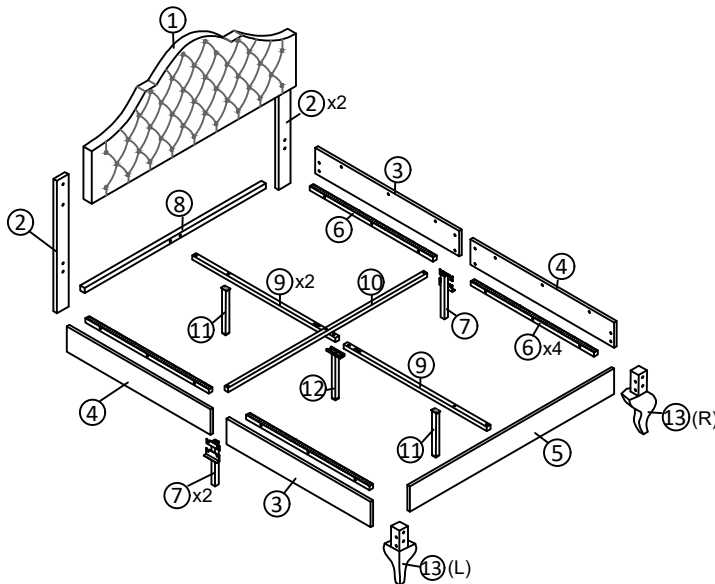
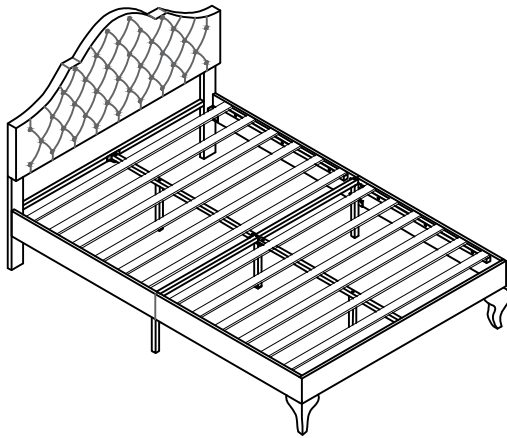


ASSEMBLY INSTRUCTION

Item Number: WF313045 WF313046

Upholstered Bed :4ft6



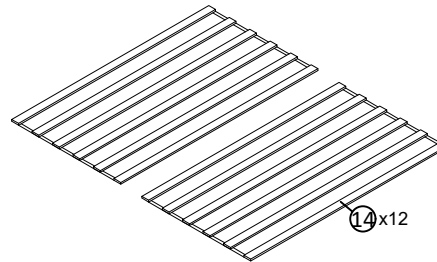
TIPS

1. This product is divided into 2 parcels for delivery. They may not arrive at the same time. Please wait patiently.

2. Please read the instructions fully before assembly. These instructions include important information which could ensure correct assembly. We have been working on providing high quality products for you. However, in the rare instance that your product is defective, missing parts or there are some issues, please don't hesitate to contact our customer service to submit parts requirements, assembly suggestion, or warranty claims, and we will give the best solution as soon as possible. If necessary, we need you to provide some more clear pictures of the issue.

3. Insert the screws in holes and tighten the screws, but not too tight, 70%~80% is ok, finally tighten all the screws. If some issues happened that some screws can not target to the hole or some parts are difficult to install, please adjust the tightness of the screws.

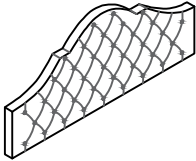

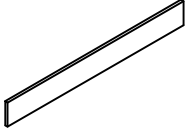
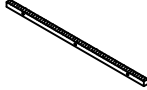
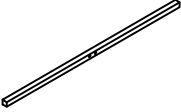
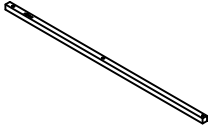
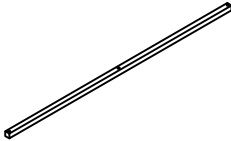
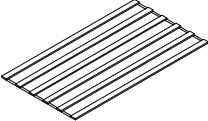
4. 2 people are recommended to finish



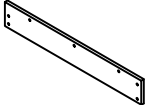
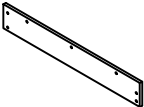


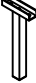

Parts List			Hardware List		
NO	ITEM	QTY	NO	ITEM	QTY
1	Head board	1	A	Allen Key 	1
2	Head board legs	2	B	Bolts (M8x40mm) 	21
3	Siderails	2	C	Bolts (M8x50mm) 	4
4	Siderails	2	D	Bolts (M8x18mm) 	24
5	Foot board	1	E	Washer 	8
6	Side rails support bar	4	F	"7" Connector 	2
7	Side rails support legs	2	G	Center support bar fittings 	2
8	Head board cross bar	1	H	Two hole iron 	2
9	Center support bar	2	I	Bolts (M8x70mm) 	8
10	Cross bar	1			
11	Middle support leg	2			
12	Connected support leg	1			
13	Legs	2			
14	Slats	12			

Part List

WF313045

<p>1</p>  <p>Head board-1pc</p>	<p>2</p>  <p>Head board legs -2pcs</p>	<p>5</p>  <p>Foot board -1pc</p>
<p>6</p>  <p>Side rails support bar-4pcs</p>	<p>8</p>  <p>Head board cross bar-1pc</p>	<p>9</p>  <p>Center support bar-2pcs</p>
<p>10</p>  <p>Cross bar-1pc</p>	<p>14</p>  <p>Slats-12pcs</p>	

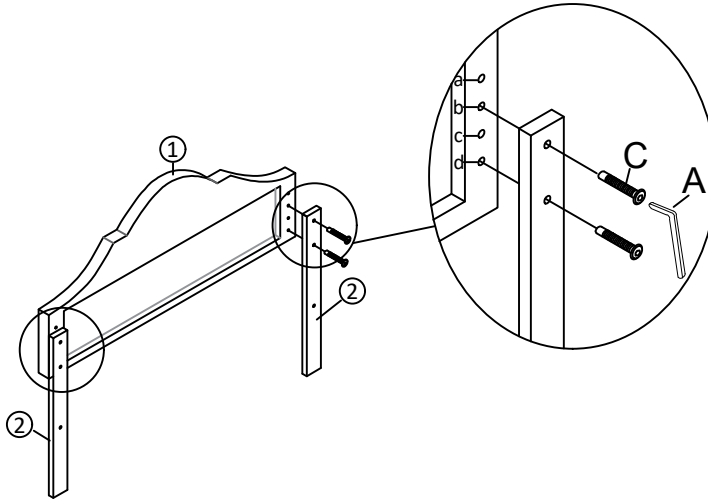
Hardware List+WF313046



<p>3</p>  <p>Side rails-2pcs</p>	<p>4</p>  <p>Side rails-2pcs</p>	<p>7</p>  <p>Side rails support legs-2pcs</p>
<p>11</p>  <p>Middle support leg-2pcs</p>	<p>12</p>  <p>Connected support leg-1pc</p>	<p>13</p>  <p>Legs-2pcs</p>

Attention: Do not tighten the screws before completing the entire installation. If you have any difficulty with the installation process, please feel free to contact us.

Step 1 x2

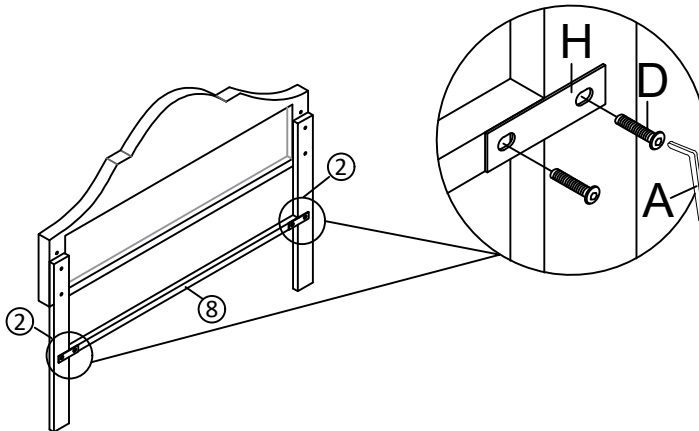
Fix the Headboard legs ② to the Headboard ① with Bolt C by using Allen key A. You can chose the hole a and c ,or b and d.






A Allen Key x 1	C Bolts x 4
	 M8X50mm

Step 2 x2

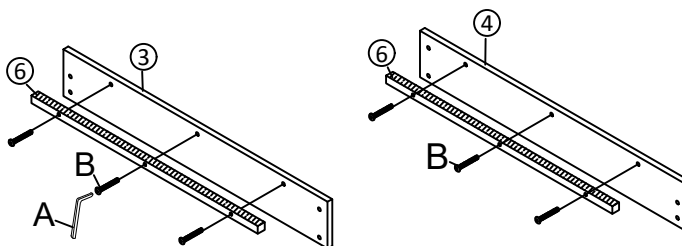
Fix the Headboard cross bar ⑧ to the Headboard legs ② with Bolt D and Two hole iron H by using Allen key A.





D Bolts x 4	H Two hole iron x 2	Allen Key
 M8X18mm		

Step 3 x2

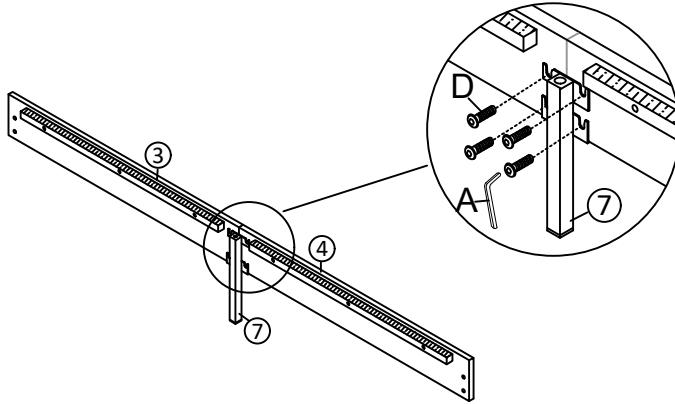
Connect Siderails ③ and ④ to Siderail support bar ⑥ with Bolts B by using Allen key A.



B Bolts x 12	A Allen Key
 M8X40mm	

Step 4 x2

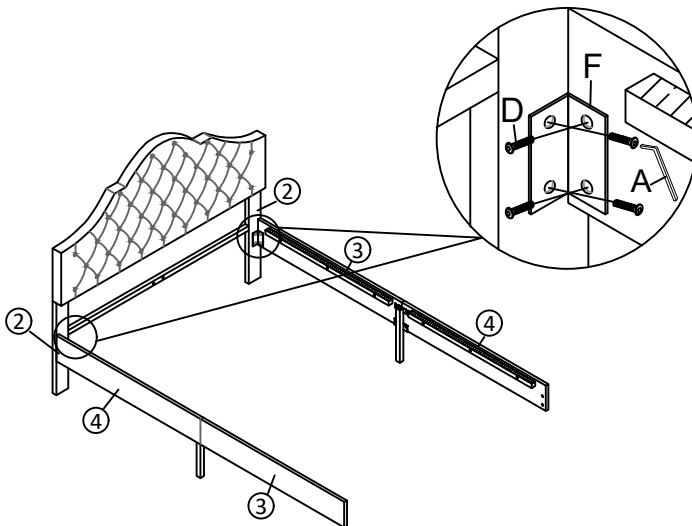
Fix the Siderail support leg ⑦ to the assembled siderail with Bolt D by using Allen key A.



D Bolts x 8 M8X18mm	Allen Key
------------------------	-----------

Step 5 x2

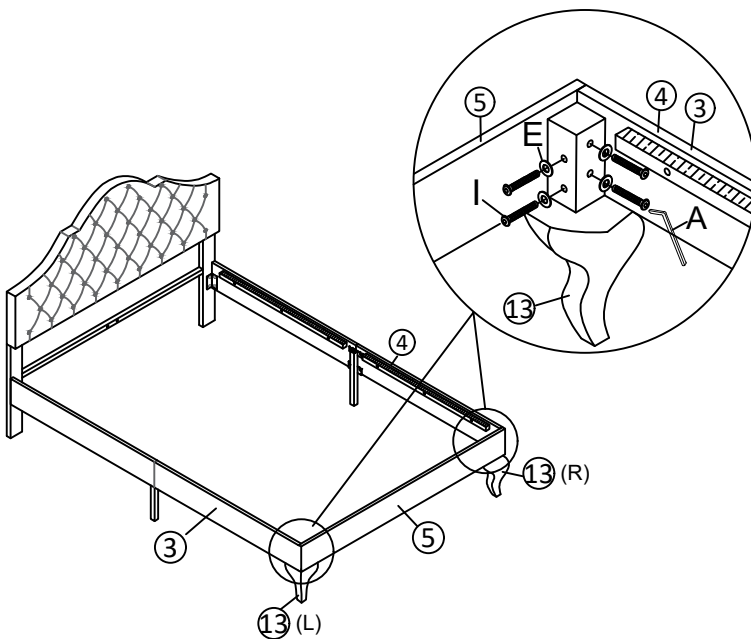
Fix the assembled siderail to the Headboard legs ② with Bolt D and "7" Connector F by using Allen key A.



D Bolts x 8 M8X18mm	F "7" Connector x 2	Allen Key
------------------------	---------------------	-----------

Step 6 x2

Fix the assembled siderail to the footboard ⑤ with Bolt I, washer E and legs ⑬ by using Allen key A.

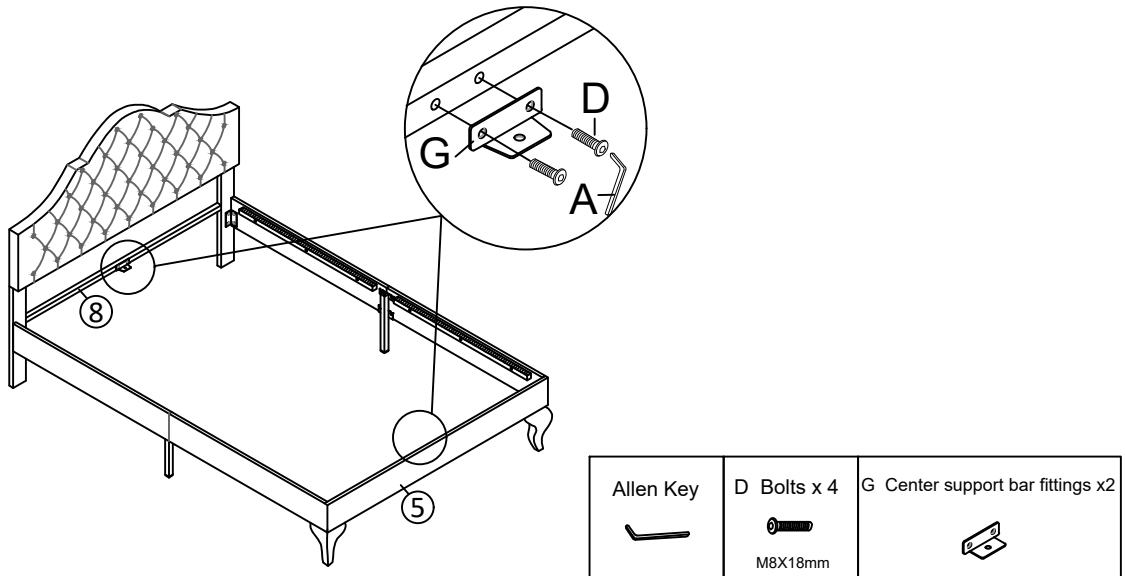


NOTICE: The leg of the bed is divided into left and right, the two higher hole positions are installed at the footboard ⑤, while the two lower hole positions are installed at the side board ③ or ④.

Allen Key	E Washer x 8	I Bolts x 8 M8X70mm
-----------	--------------	------------------------

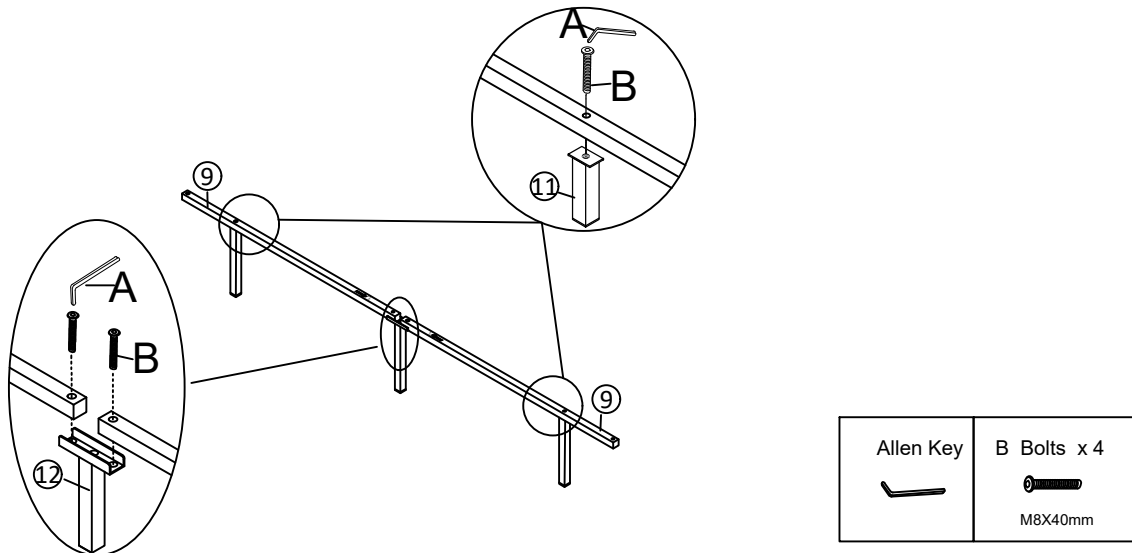
Step 7 x2

Fix the Center support bar fittings G to the Headboard cross bar ⑧ and foot board ⑤ with Bolts D by using Allen key A



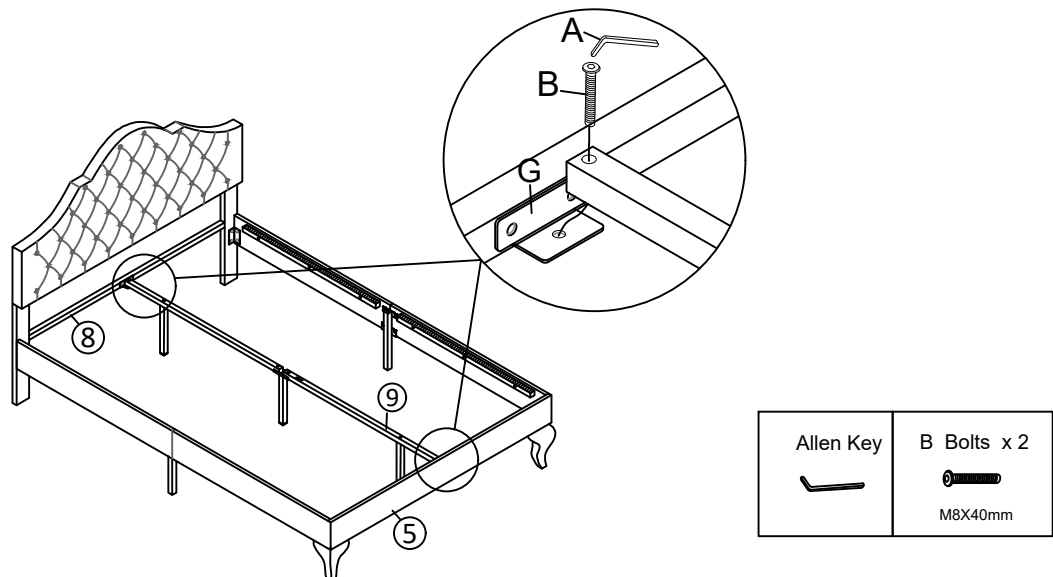
Step 8

Connect Center support bar ⑨ with Connected support leg ⑫ with Bolts B by using Allen key A. Fix the Middle support leg ⑪ to the Center support bar ⑨ with Bolts B by using Allen key A.



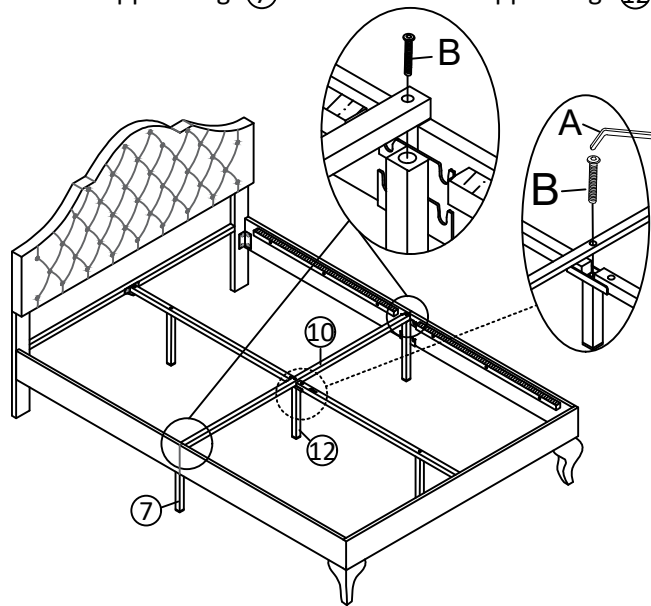
Step 9



Fix the Center support bar ⑨ to the headboard cross bar ⑧ and foot board ⑤ with Bolts B by using Allen key A



Step 10

Fix the cross bar ⑩ to the side rails support legs ⑦ and Connected support legs ⑫ with Bolts B by using Allen key A



Allen Key	B Bolts x 3
	
	M8X40mm

Step 11

Fix the slats ⑭ to the side support bar, then assemble is finished, now please tighten all hardware and enjoy the bed.

