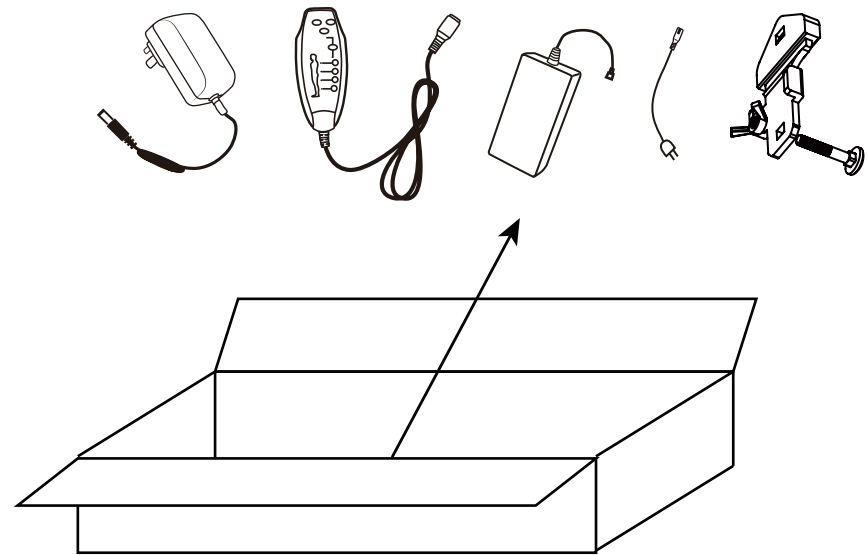
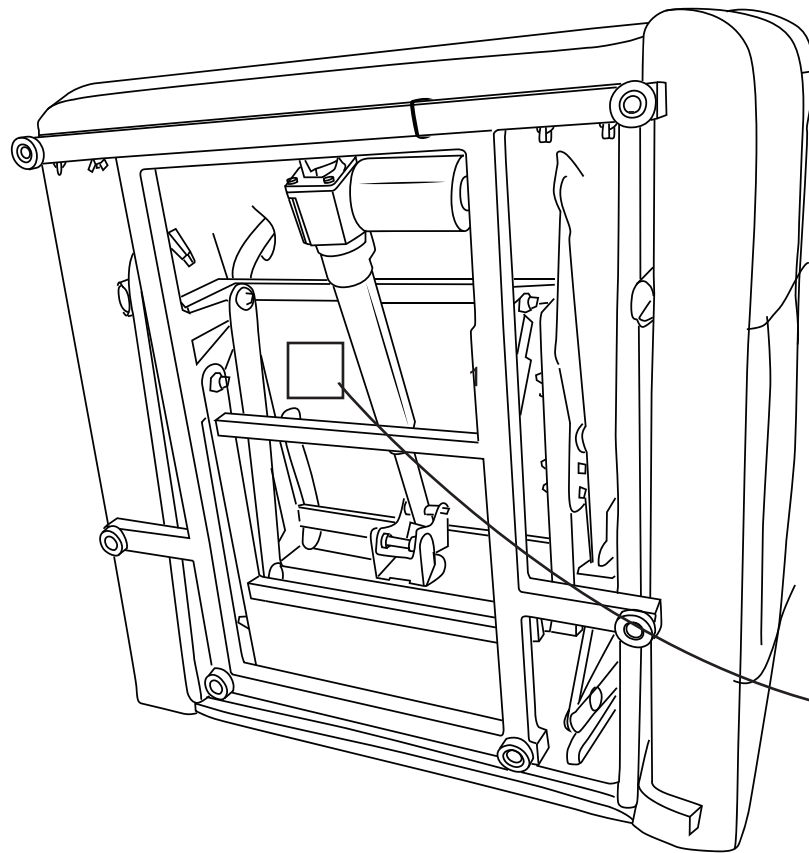
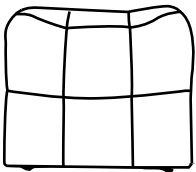
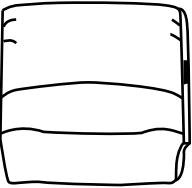
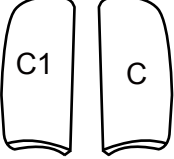
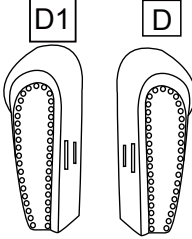
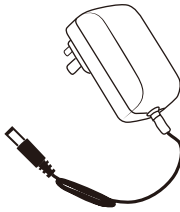
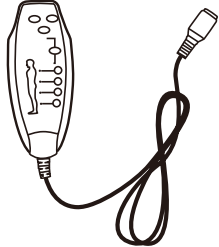
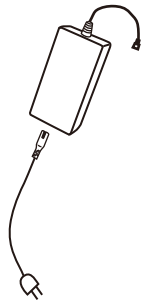
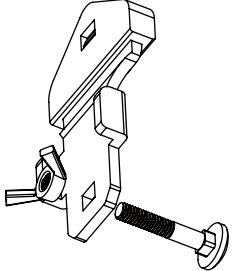


Massage Lift Chair Assembly Instruction-WF291250+WF291251

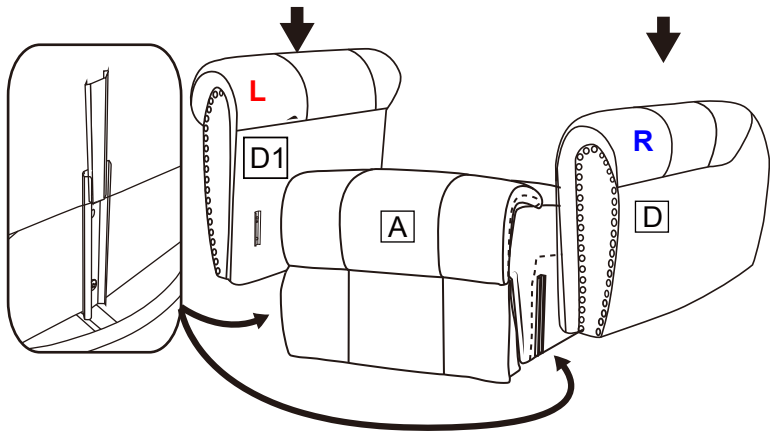


Find a small accessories box inside the iron frame. Take out it. Assemble the spare parts to the chair.

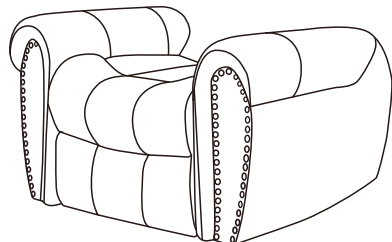
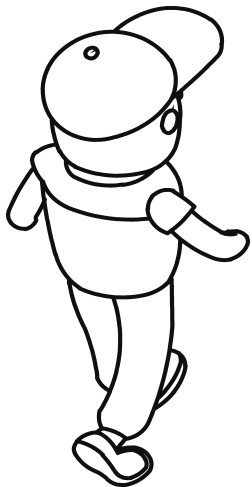
Massage Lift Chair Assembly Instruction

							
Chair base	Backrest	2*Ears	Both Armrests	Power cord	Massage Remote	Power Source	Anti-fall bracket x2

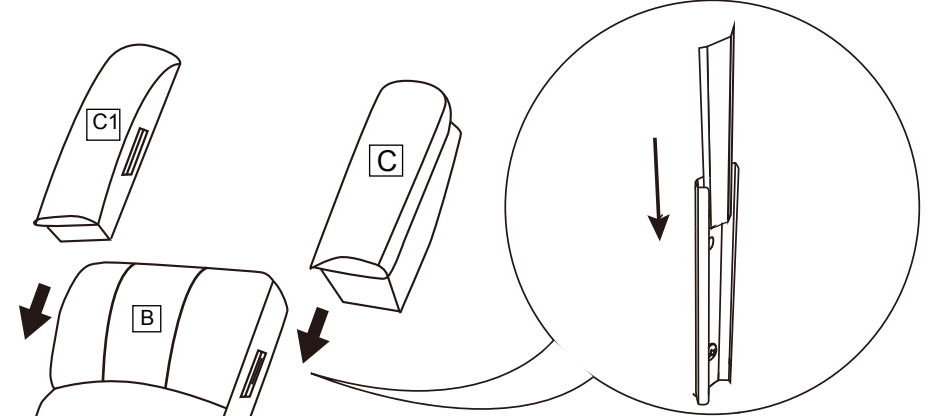
STEP 1



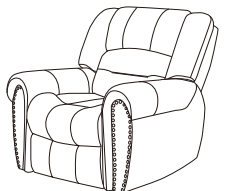
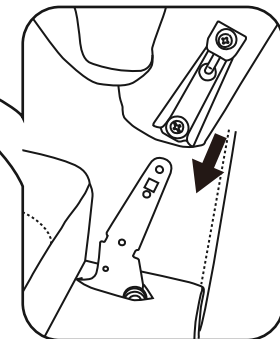
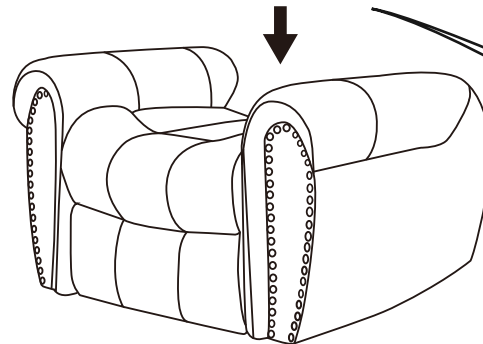
Face to the recliner chair ,
 D1 (Left Armrest), D (Right Armrest)
 Insert two armrests to the chair base, make
 sure the slots on the armrests fully assembled
 to the bottom part.



STEP 2

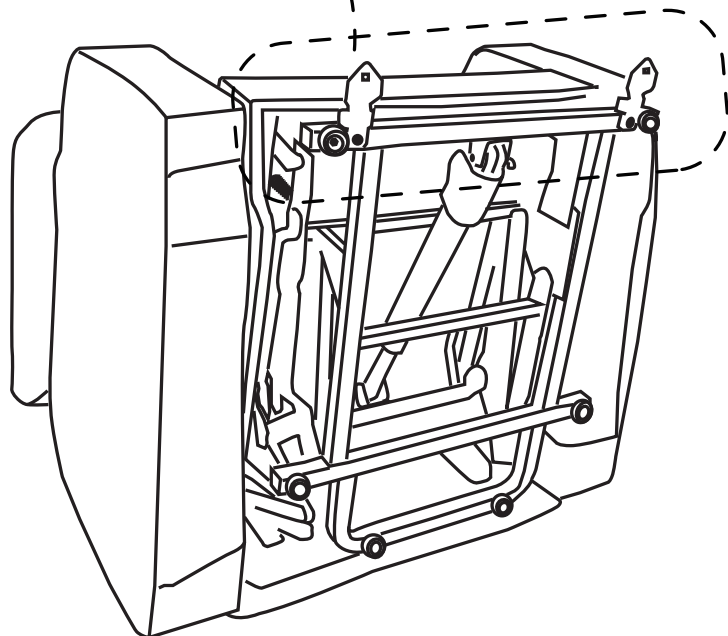
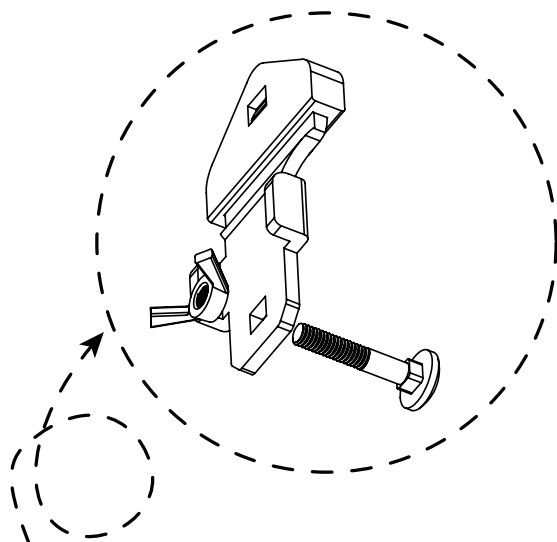


Insert chair back to the chair base, make sure the
 slots on the back fully assembled to the bottom part.



Massage Lift Chair Assembly Instruction

Butterfly nut up, screw
bolt down



Find a small bag in the accessories box.
Take out **Anti-fall Brackets*2(H)** from
the small bag. Assemble the two Anti-fall
Brackets as shown on the bottom of
mechanism to avoid toppling and falling.

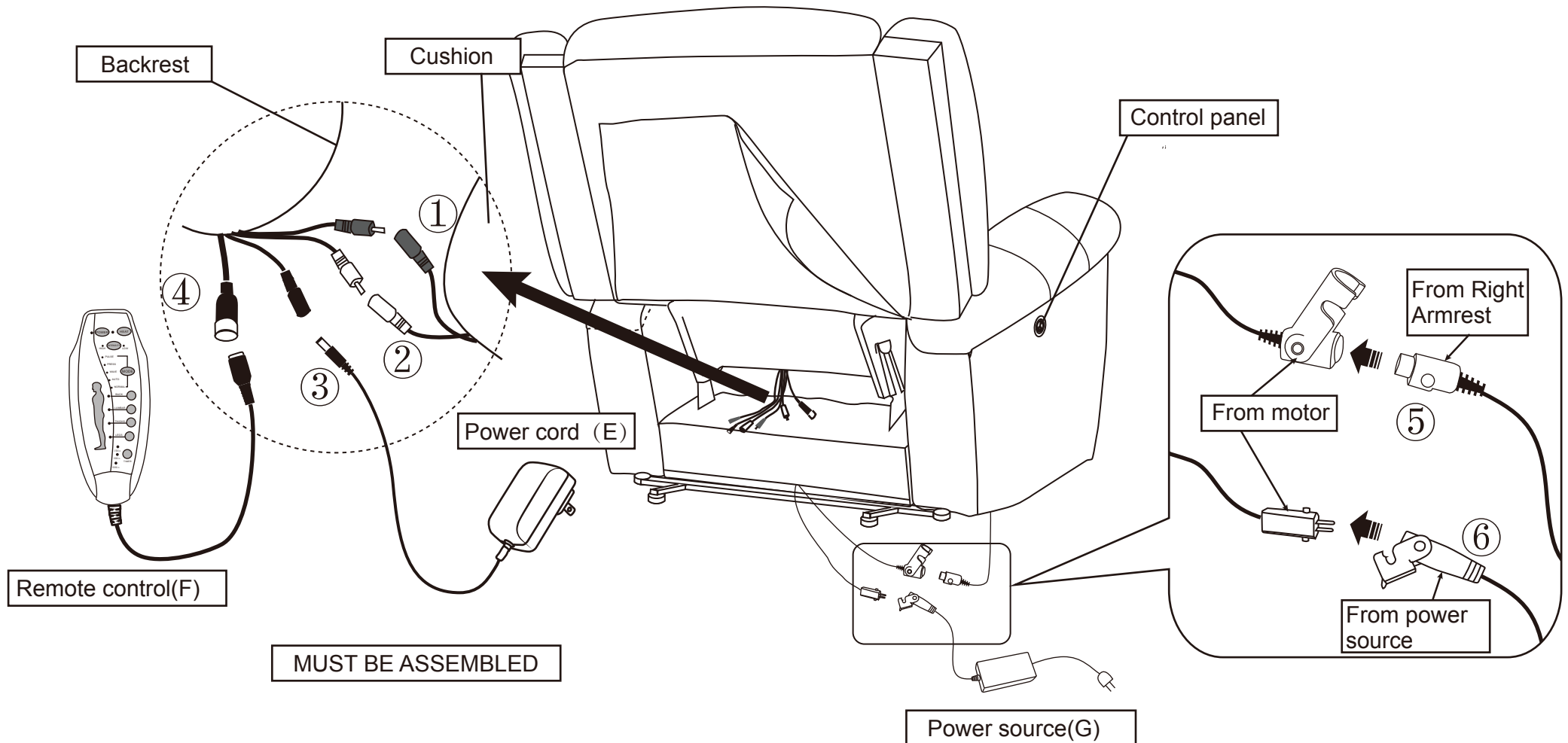
Massage Lift Chair Assembly Instruction

STEP 3

- No.1 and No.2 wire connect with the backrest and chair base.
No.3 wire connects with backrest and power cord(E).
No.4 wire connects with backrest and remote control(F).
No.5 wire connect the motor and the wire from Right Armrest(D),
which use to connect the control panel.
No.6 wire connect the motor and power source (G).

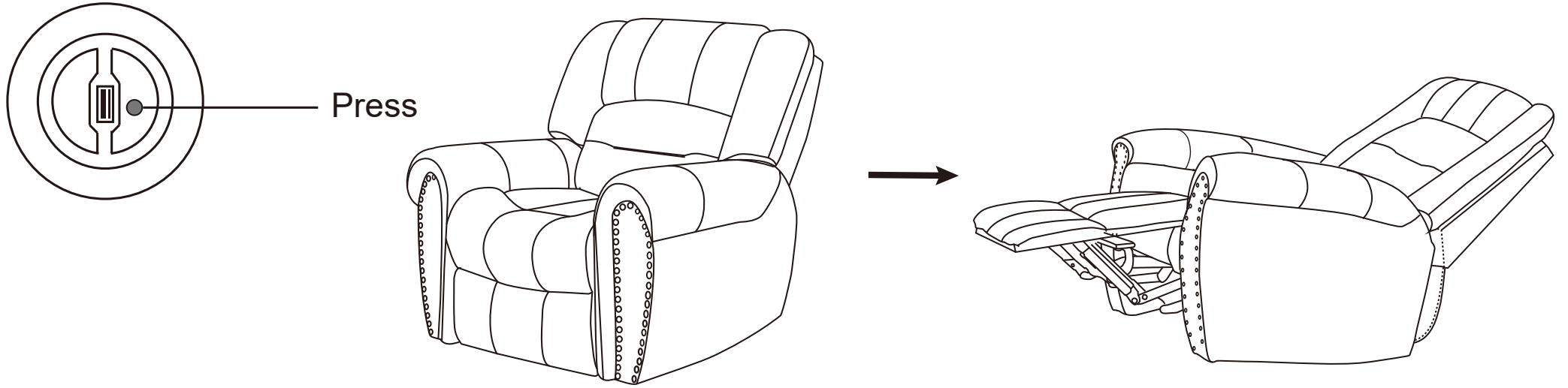
NOTE

- 1: Two same color wires connect.
2: Plug power cord and power source into outlet, then you can use all function.

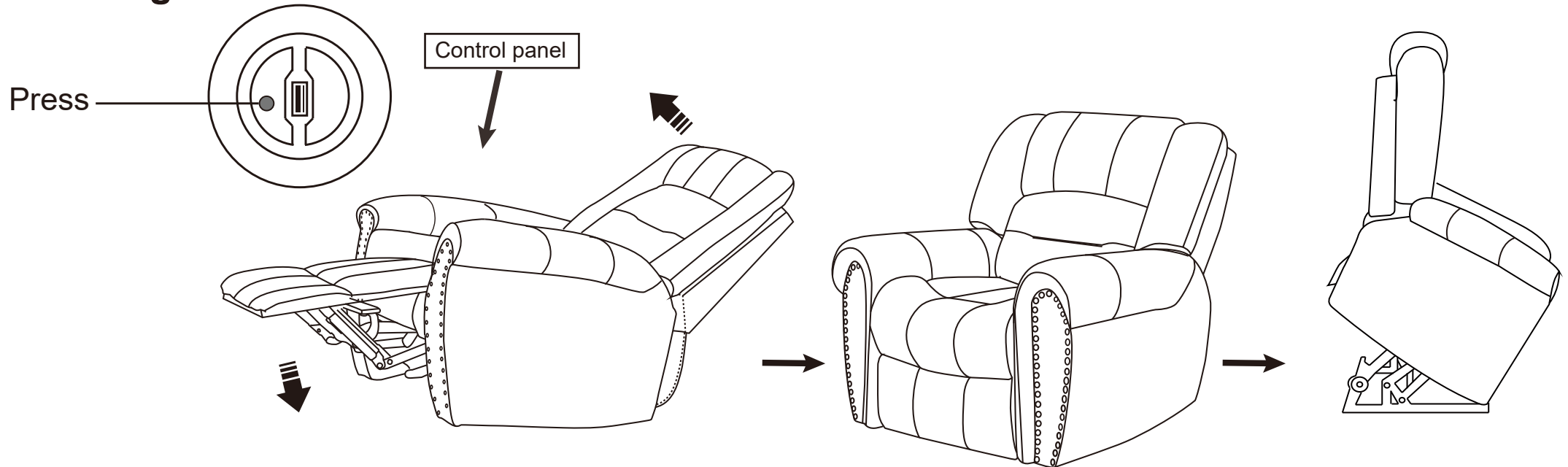


Massage Lift Chair Assembly Instruction

How to recline?



How to get footrest latch down and stand?

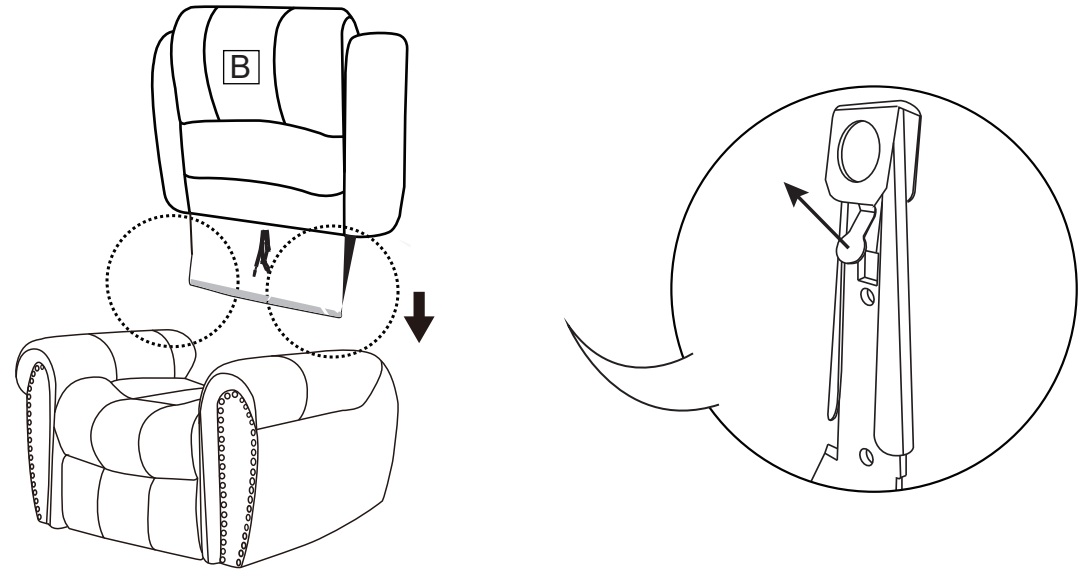


Massage Lift Chair Assembly Instruction

How to remove the chair ?

Please note that you need to take apart the backrest before removing the arms.

1. Force apart the buckles while take the backrest out from the arms.



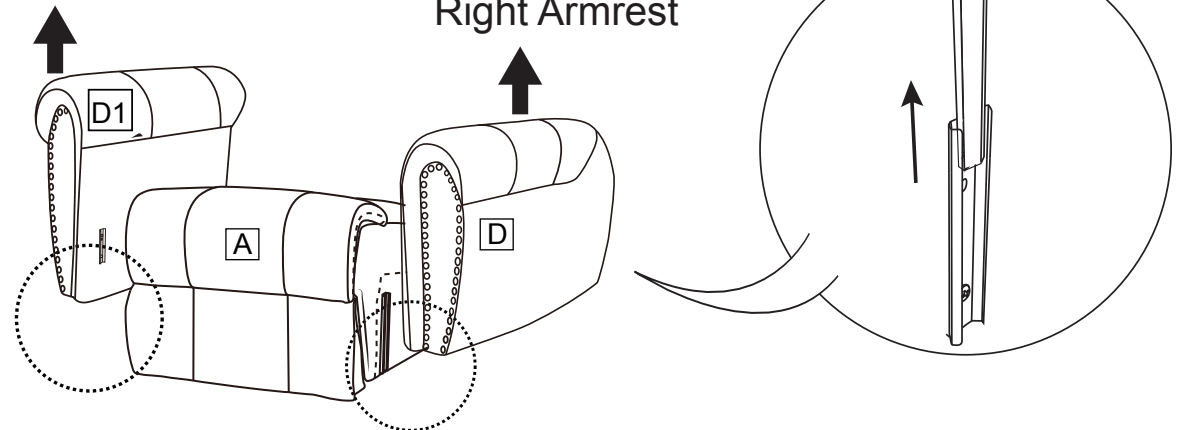
2. Then pull out the arms from the base.

Note: Please pull out the armrests from the middle of the armrests.

STEP 1

Left Armrest

Right Armrest



How to use remote control?

