

# ASSEMBLY INSTRUCTION

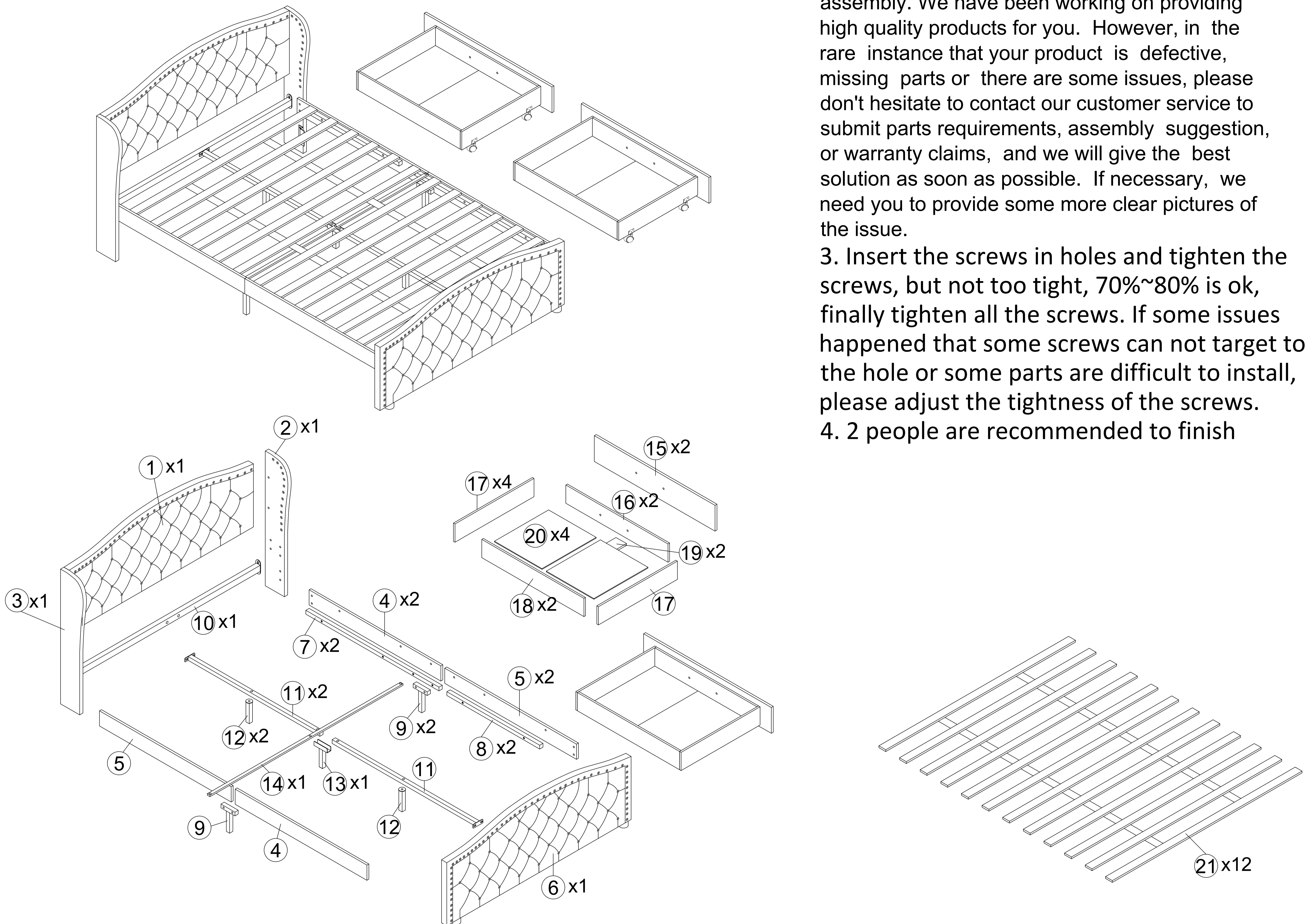
## TIPS

1. This product is divided into 2 parcels for delivery. They may not arrive at the same time. Please wait patiently.

2. Please read the instructions fully before assembly. These instructions include important information which could ensure correct assembly. We have been working on providing high quality products for you. However, in the rare instance that your product is defective, missing parts or there are some issues, please don't hesitate to contact our customer service to submit parts requirements, assembly suggestion, or warranty claims, and we will give the best solution as soon as possible. If necessary, we need you to provide some more clear pictures of the issue.

3. Insert the screws in holes and tighten the screws, but not too tight, 70%~80% is ok, finally tighten all the screws. If some issues happened that some screws can not target to the hole or some parts are difficult to install, please adjust the tightness of the screws.

4. 2 people are recommended to finish

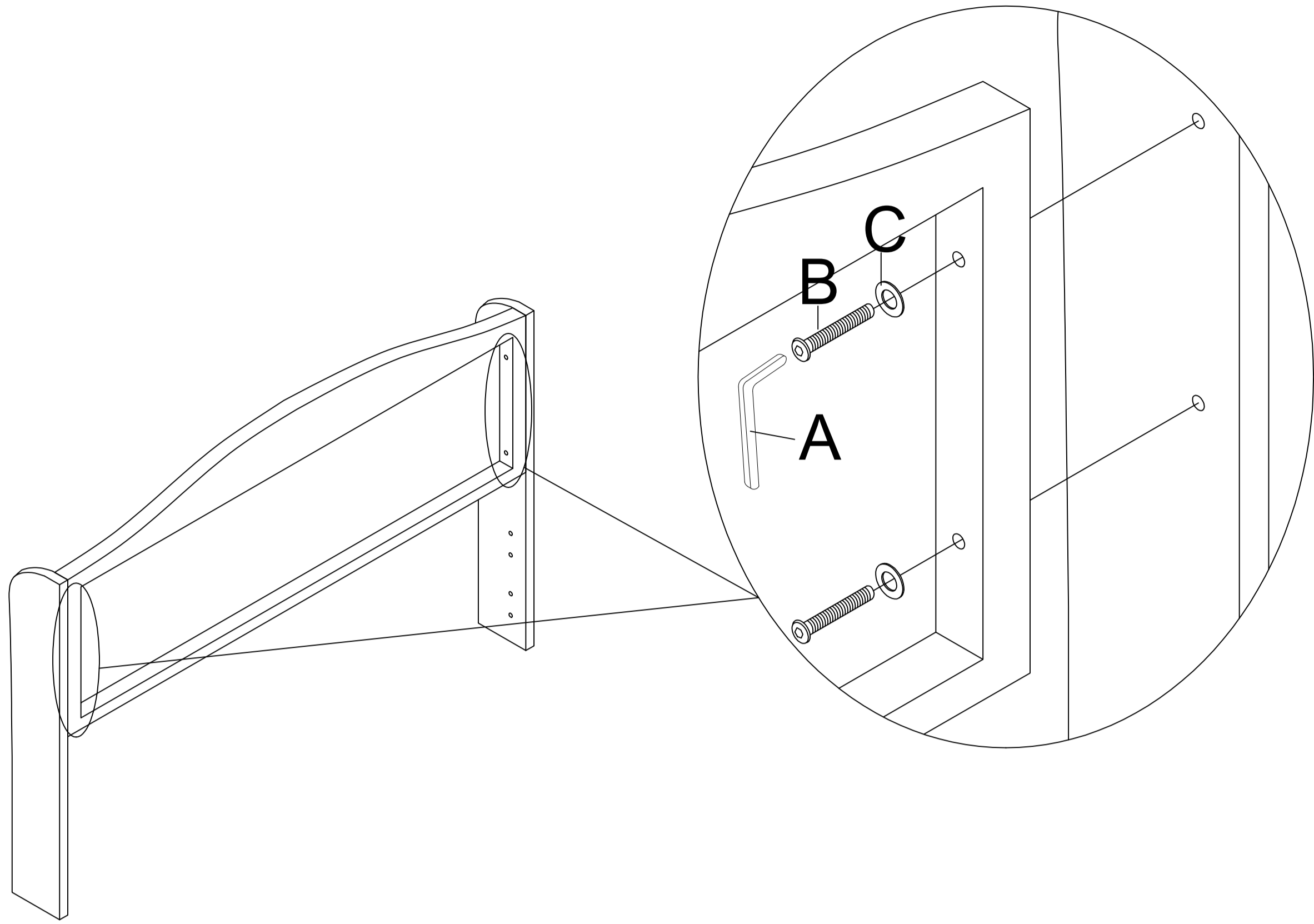



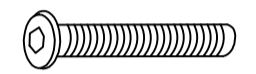

Parts List			Hardware List		
NO	ITEM	QTY	NO	ITEM	QTY
1	Head board	1	A	Allen Key	1
2	Side head board	1	B	Bolts (M8x40mm)	31
3	Side head board	1	C	Washer	12
4	Siderails	2	D	Bolts (M8x18mm)	20
5	Siderails	2	E	Nails (M4x50mm)	2
6	Foot board	1	F	Bed legs	2
7	Side rails support bar	2	G	"7" Connector	3
8	Side rails support bar	2	H	Nuts	4
9	Side rails support legs	2	I	Spanner	1
10	Head board cross bar	1	J	Nails (M4x30mm)	4
11	Center support bar	2	K	Bolts (M8x30mm)	4
12	Middle support leg	2	L	Drawer fittings	24
13	Connected support leg	1	M	Drawer fittings	24
14	Cross bar	1	N	Nails (M3x16mm)	24
15	Drawer outer board	2	O	Drawer wheel	8
16	Drawer board	2	P	Stopper	1
17	Drawer board	4			
18	Drawer board	2			
19	Drawer support bar	2			
20	Drawer bottom board	4			
21	Slats	12			

Attention: Do not tighten the screws before completing the entire installation. If you have any difficulty with the installation process, please feel free to contact us.

## Step 1 X2

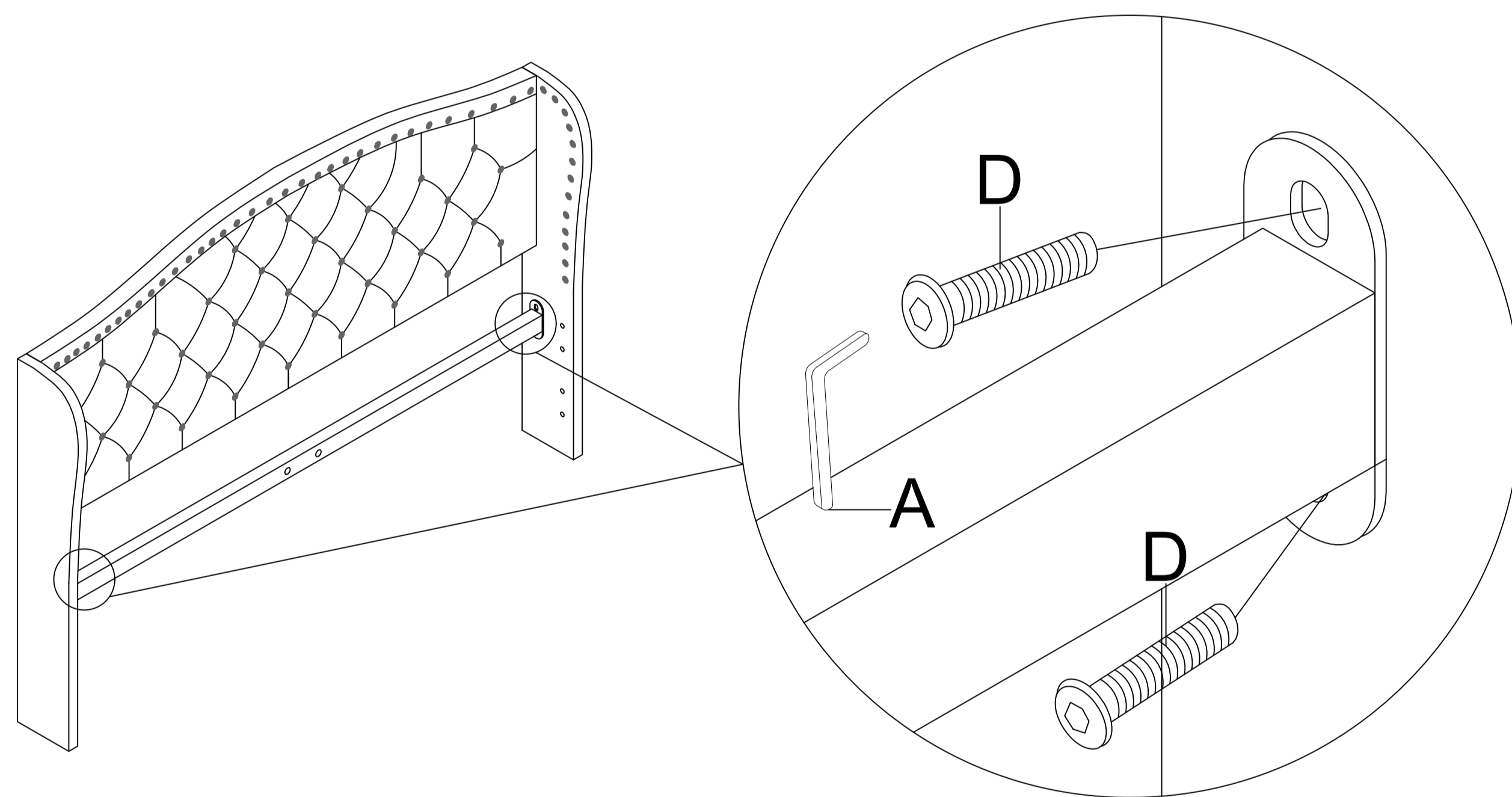
Fix the side side headboard ② and ③ To the headboard ① With bolts B and Washers C by using Allen key A


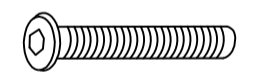


A Allen Key x1	B Bolts x 4 M8X40mm	C Washer x 4
		

## Step 2

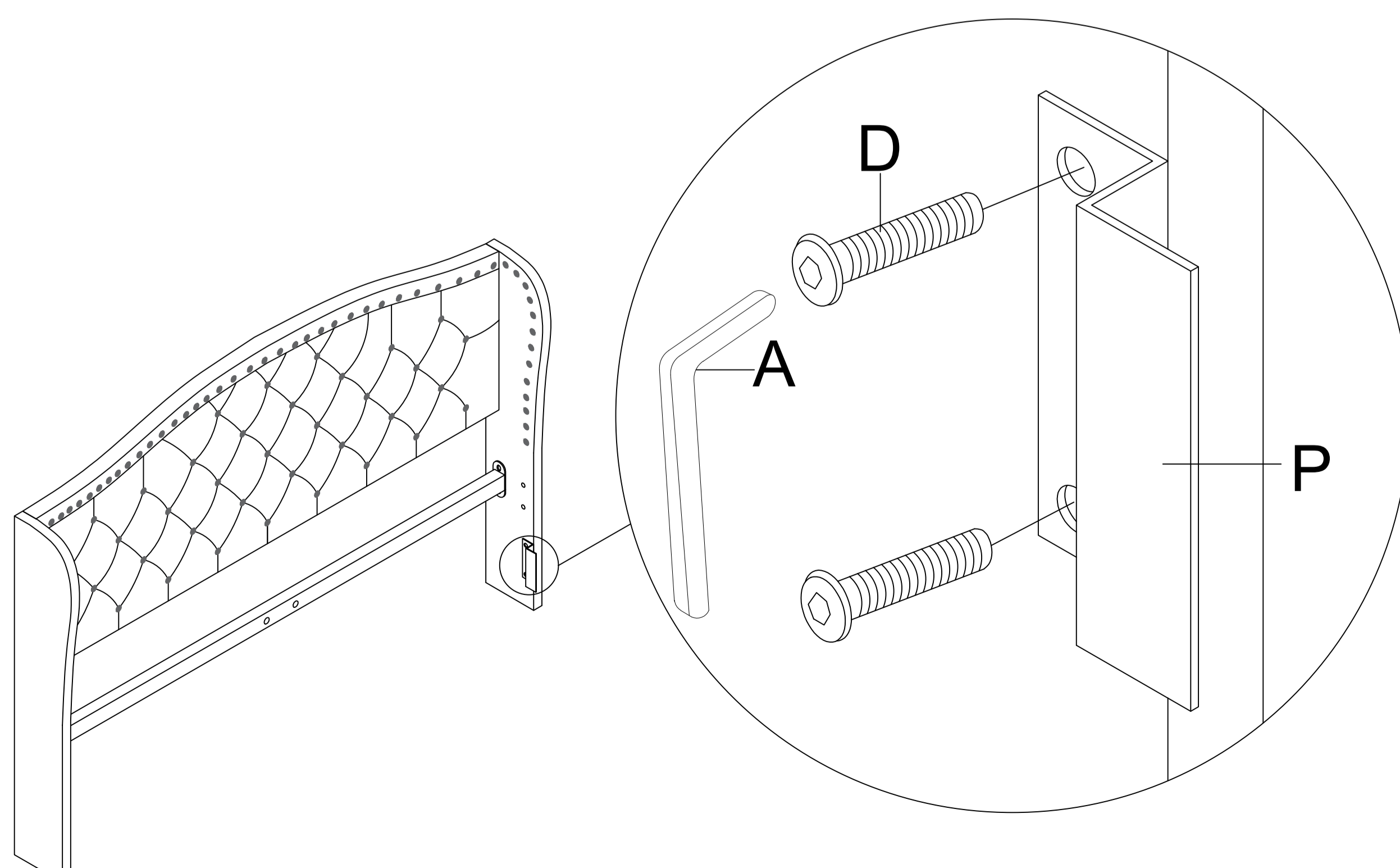
Fix the headboard cross bar ⑩ To the side headboard With bolts D by using Allen key A



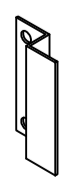


A Allen Key	D Bolts x 4 M8X18mm
	

## Step 3

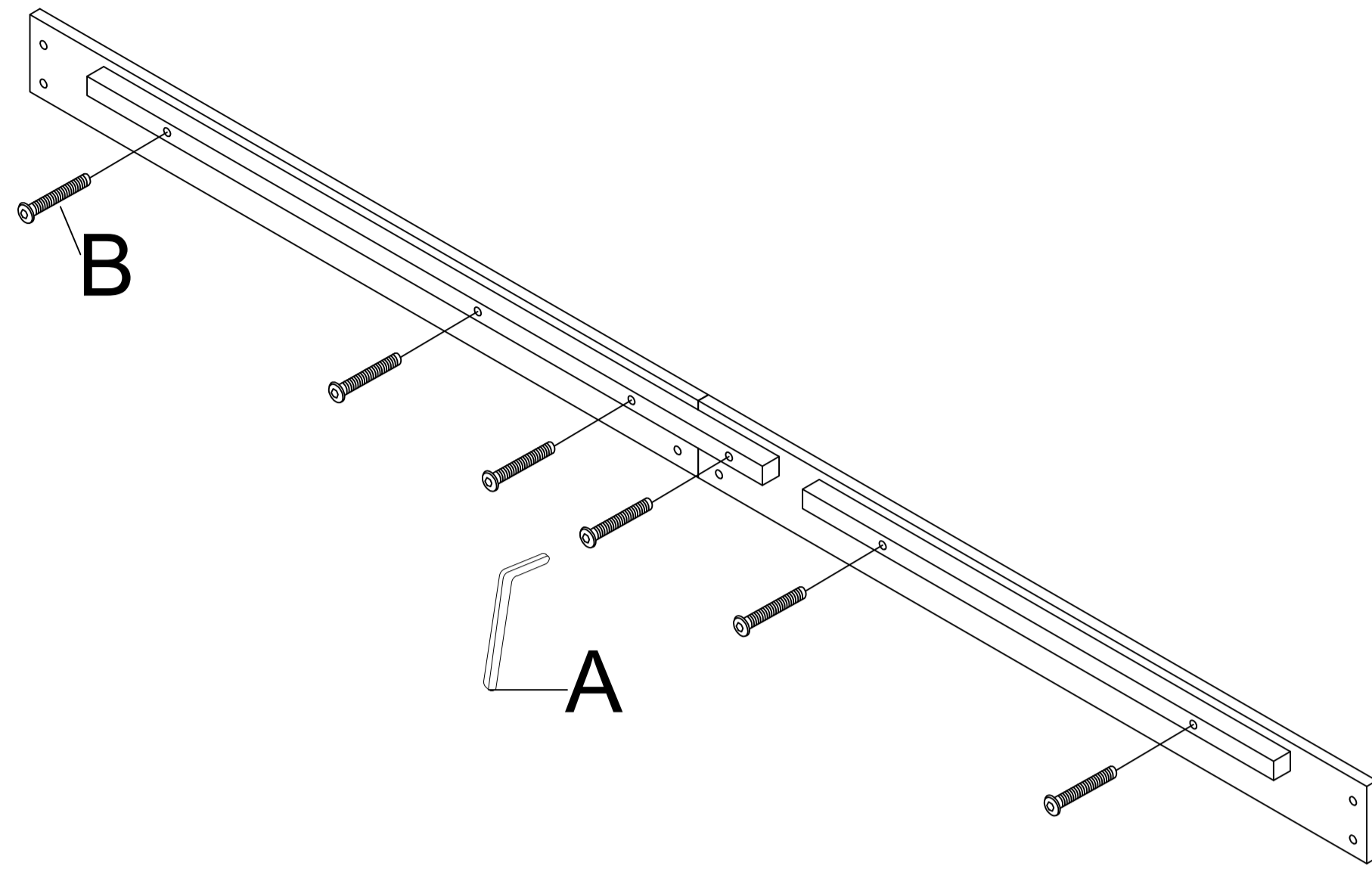
Fix the stopper P To the side headboard With bolts D by using Allen key A


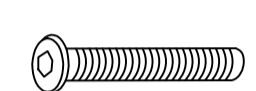


A Allen Key	D Bolts x 2 M8X18mm	P Stopper x 1
		

## Step 4 x2

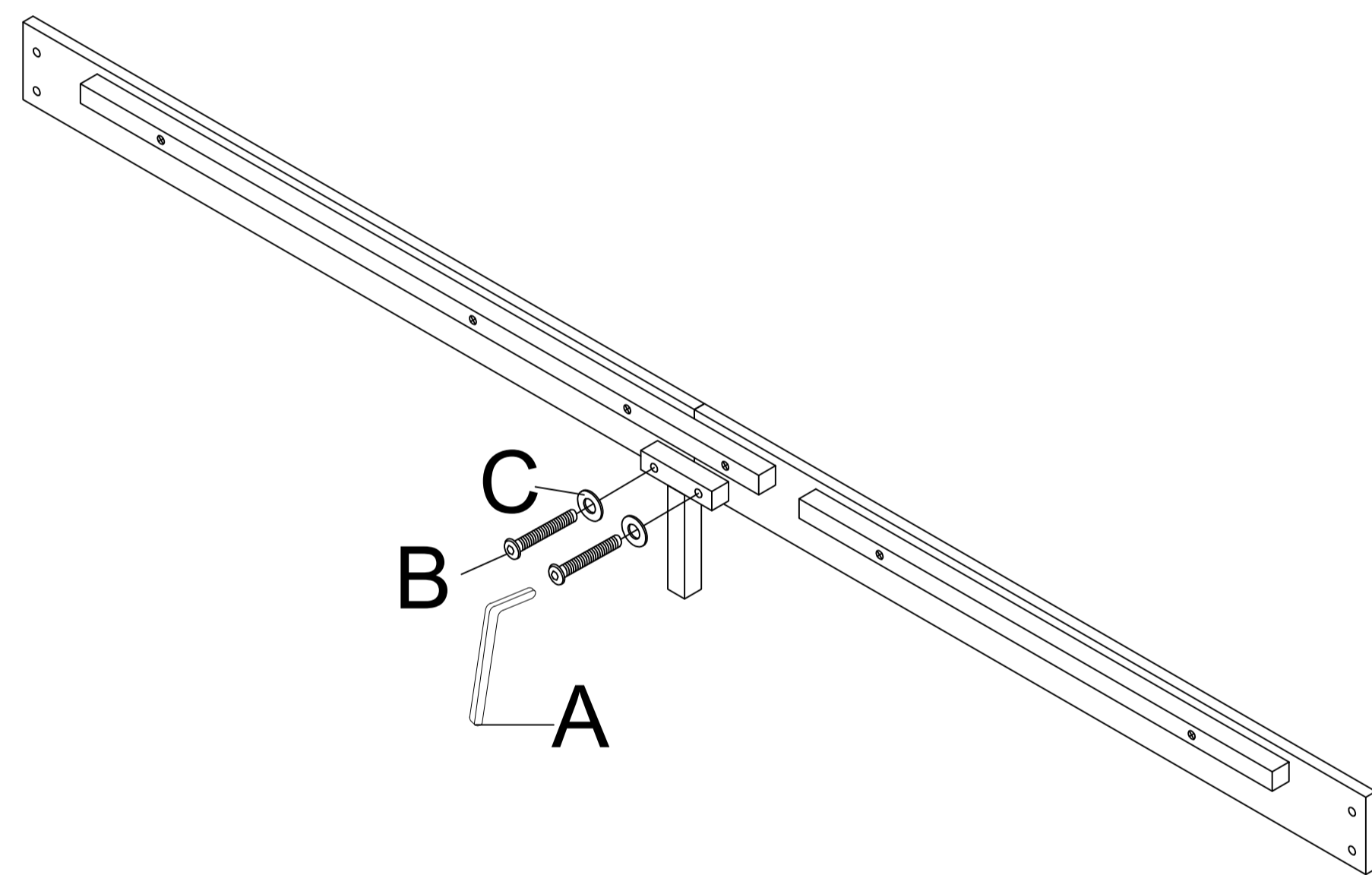
Connect side rails bar ⑦ and ⑧ To the side rails ④ and ⑤ With bolts B by using Allen key A


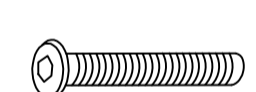
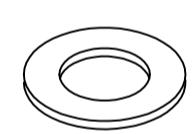


A Allen Key	B Bolts x 12
	 M8X40mm

## Step 5 x2

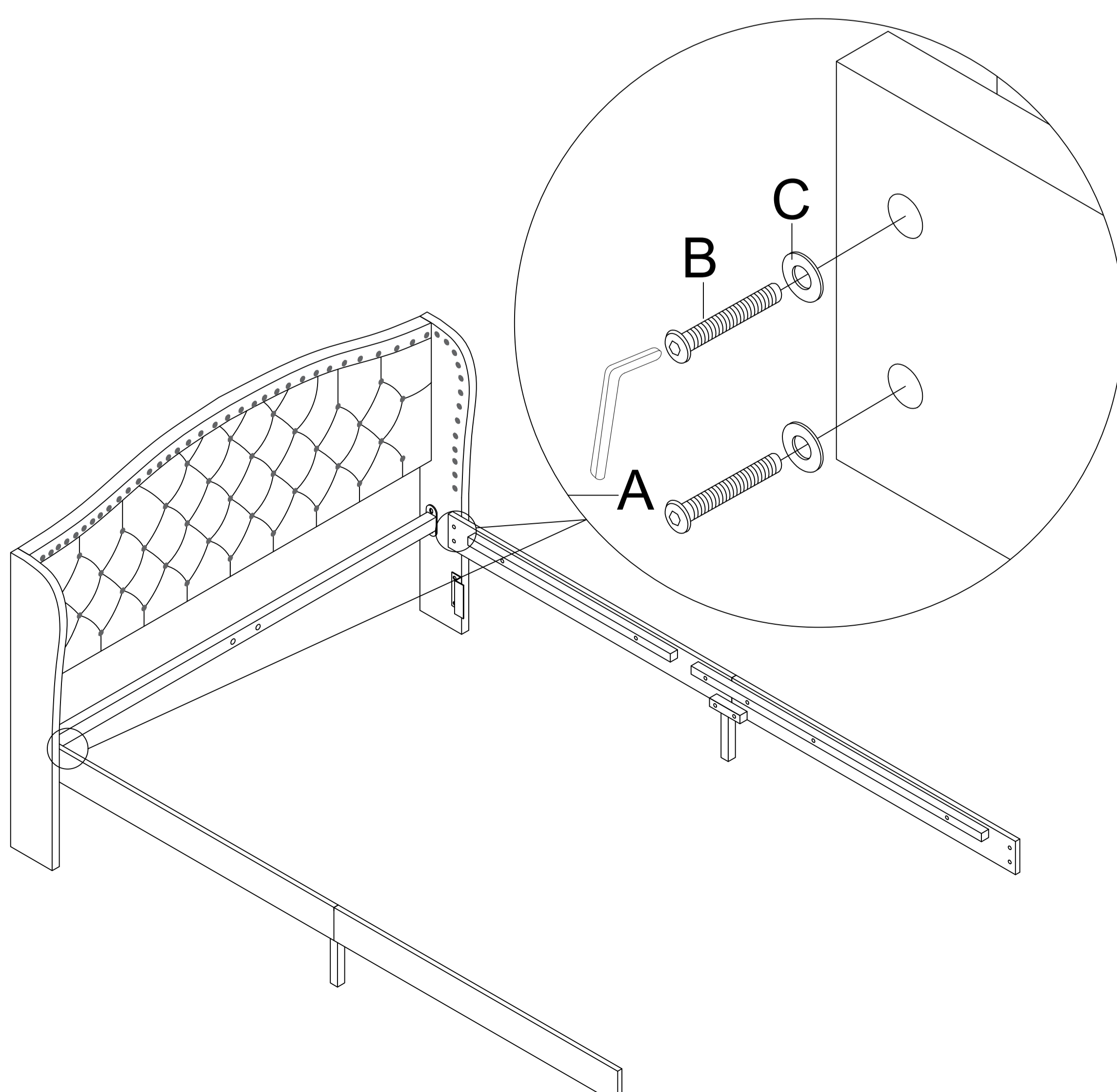
Fix the side support leg ⑨ To the assembled side rail With bolts B washer C by using Allen key A






A Allen Key	B Bolts x 4	C Washer x 4
	 M8X40mm	

## Step 6

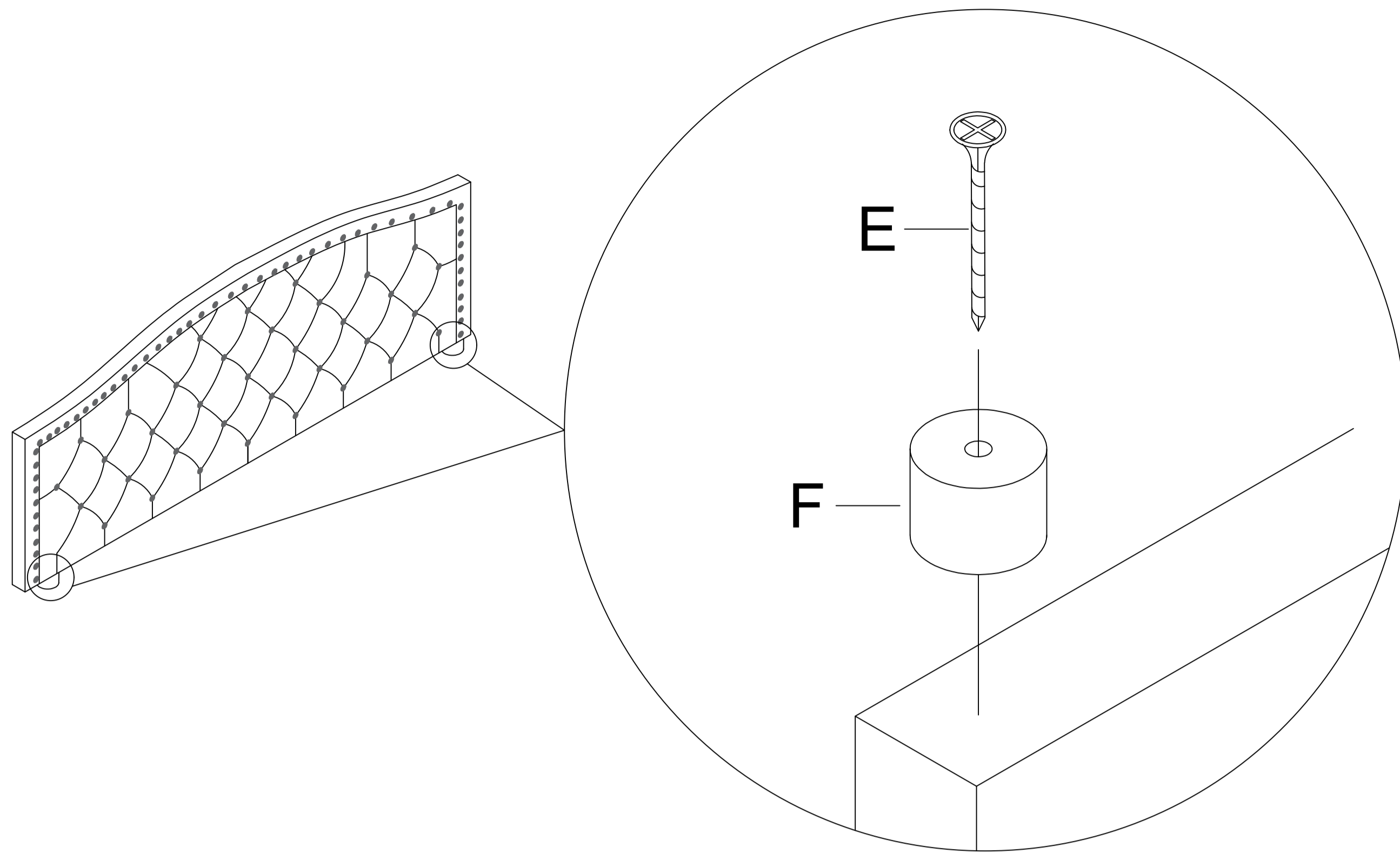
Fix the assembled side rail to the side head board ② and ③ With bolts B and washer C by using Allen key A


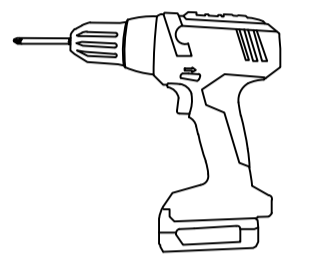


A Allen Key	B Bolts x 4	C Washer x 4
	 M8X40mm	

## Step 7 X2

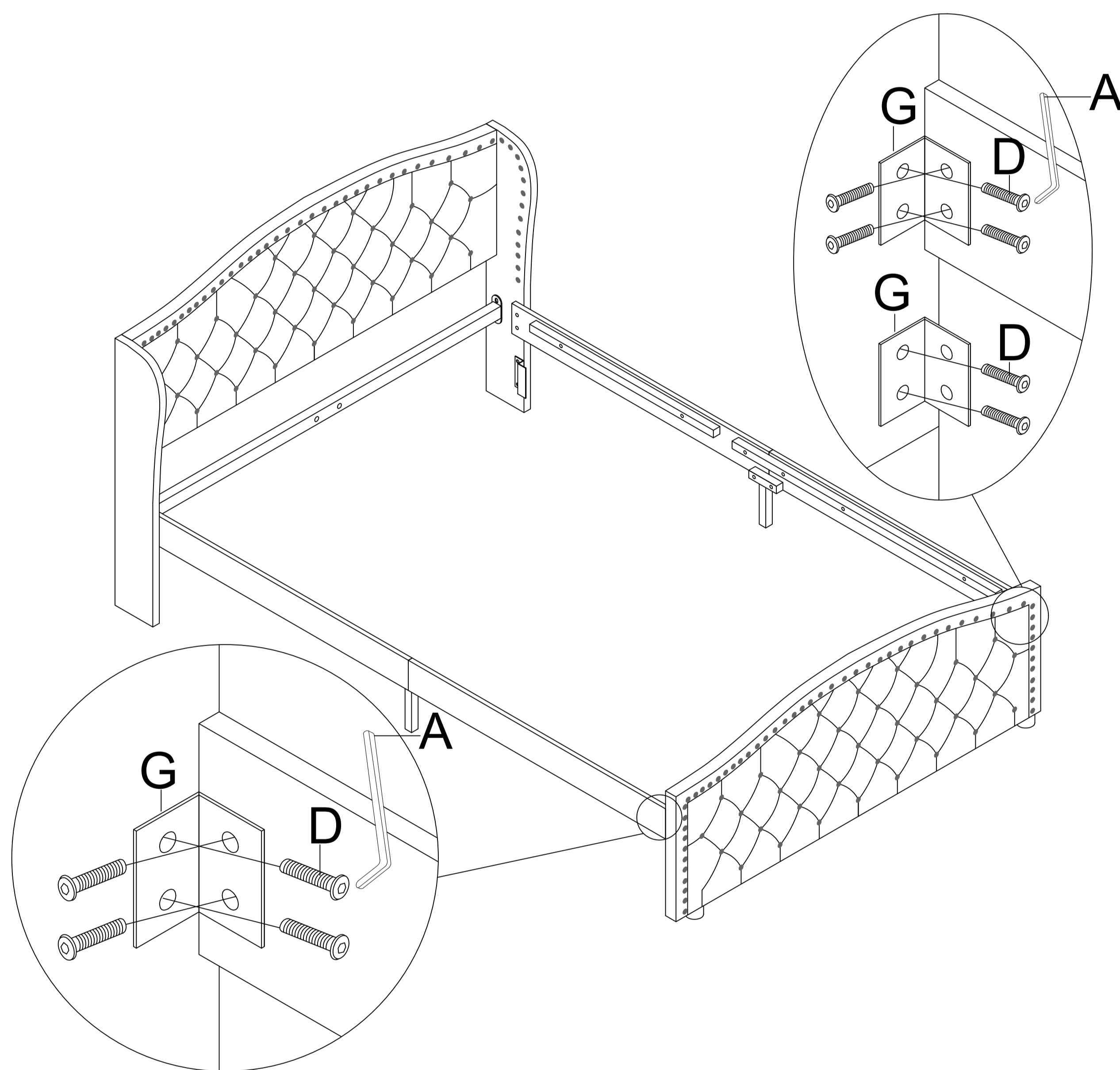
Fix the legs F To the foot board ⑥ With Nails E by using electric drill or screw driver


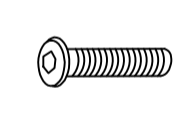
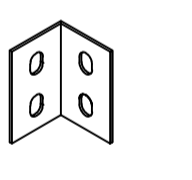


E Nails x2  M4X50mm	F Bed legs x2 	
--	--	---

## Step 8

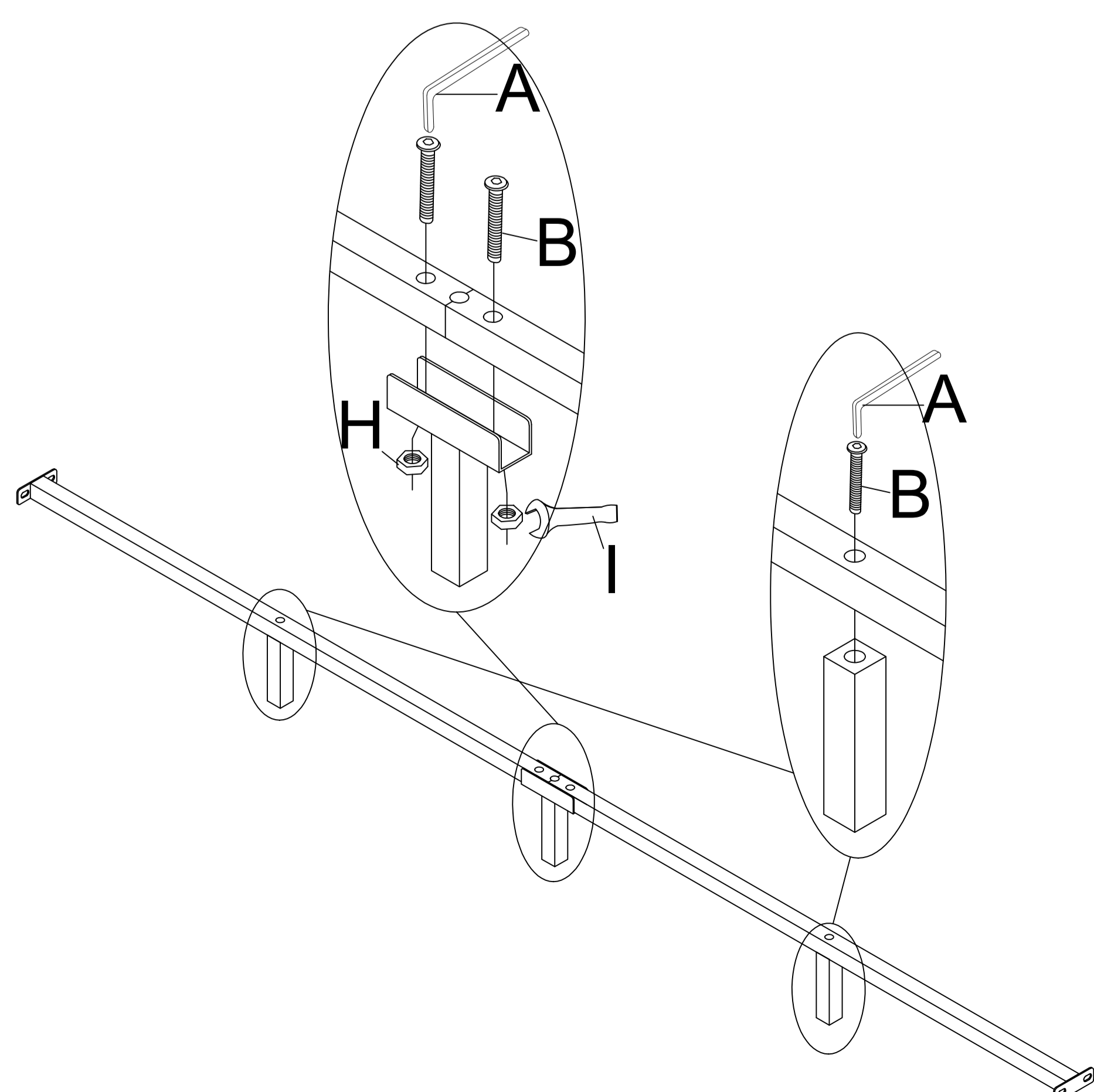
Fix the assembled side rail to the foot board ⑥ With bolts D and "7" Connector G by using Allen key A


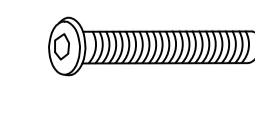
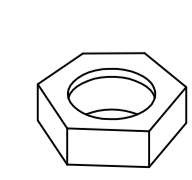
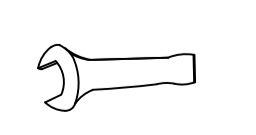


A Allen Key 	D Bolts x 10  M8X18mm	G "7" Connector x 3 
--	--	--

## Step 9

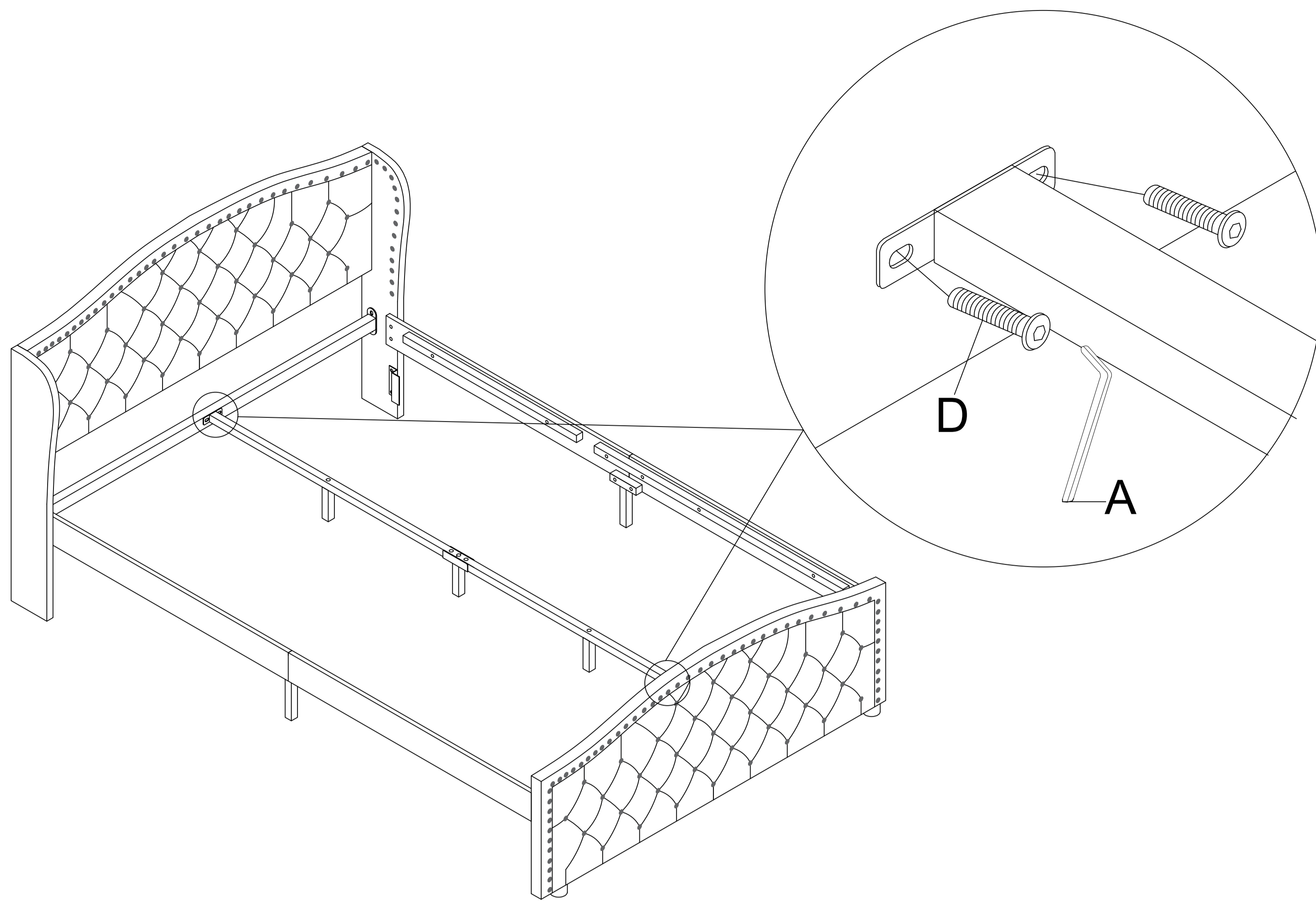
Fix the middle support leg ⑫ to the center support bar ⑪ With bolts B by using Allen key A. Fix the connected support leg ⑬ to the center support bar With bolts B nuts H by using Allen key A


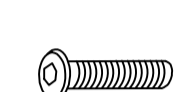


A Allen Key 	B Bolts x 4  M8X40mm	H Nuts x 2 	I Spanner x1 
--	---	---	---

## Step 10

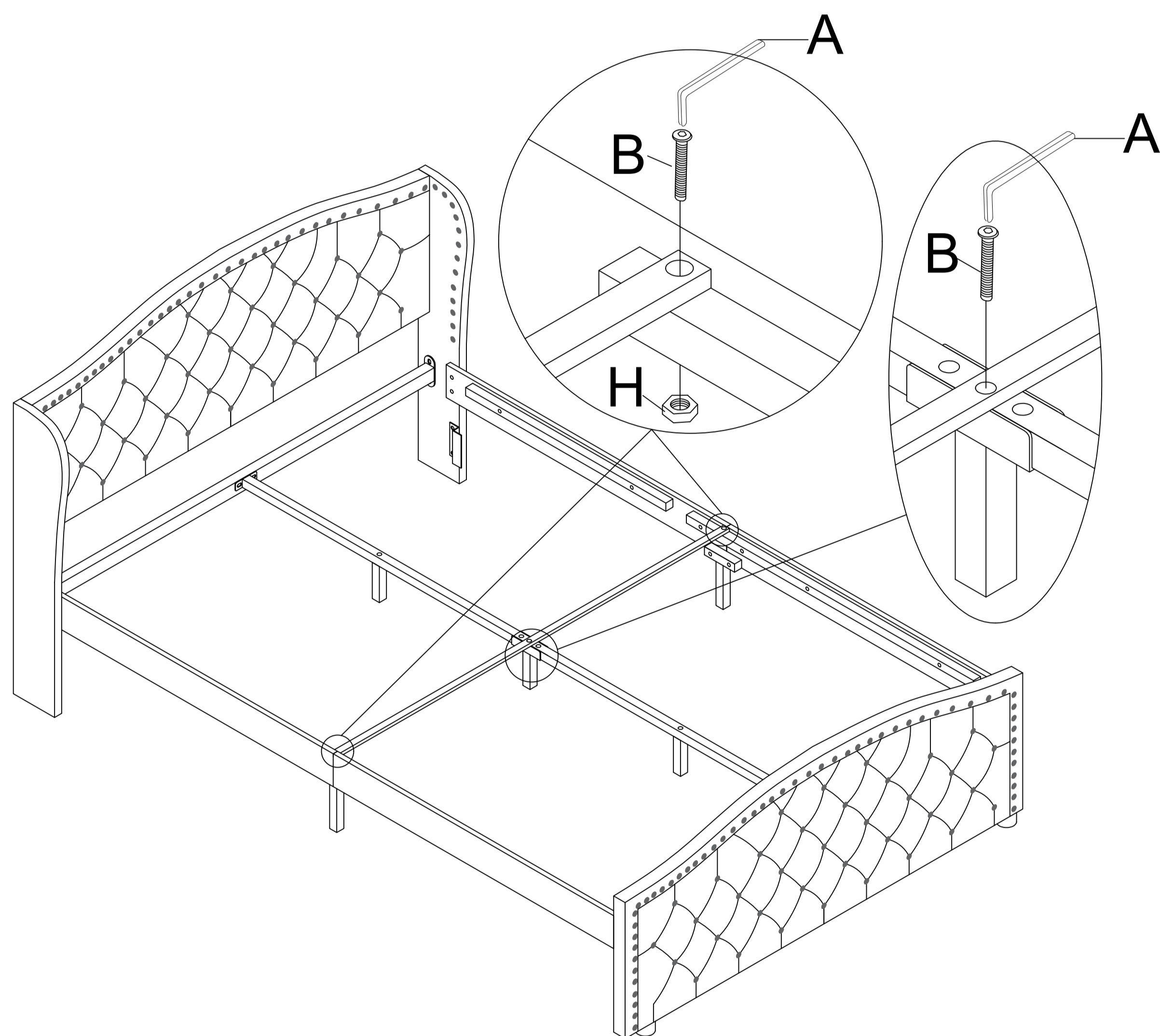
Fix the center support bar to the headboard cross bar ⑩ and foot board ⑥ With bolts D by using Allen key A


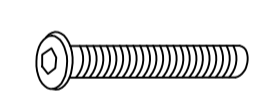
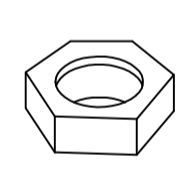


A Allen Key	D Bolts x 4
	 M8X18mm

## Step 11

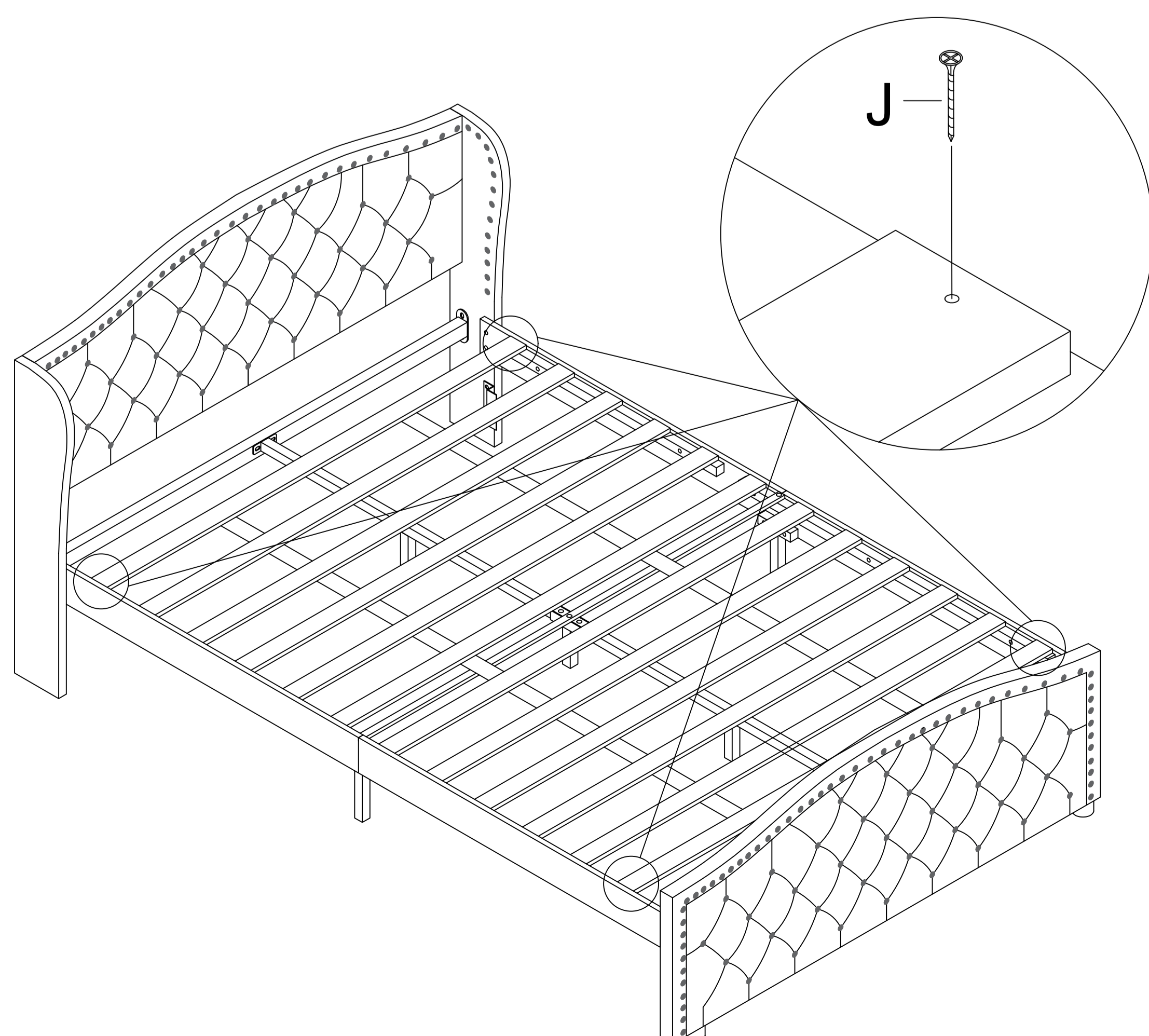
Fix the cross bar ⑭ to the side rails bar and center support bar With bolts B by using Allen key A

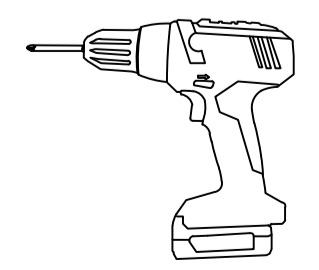
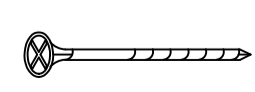


A Allen Key	B Bolts x 3	H Nuts x 2
	 M8X40mm	

## Step 12

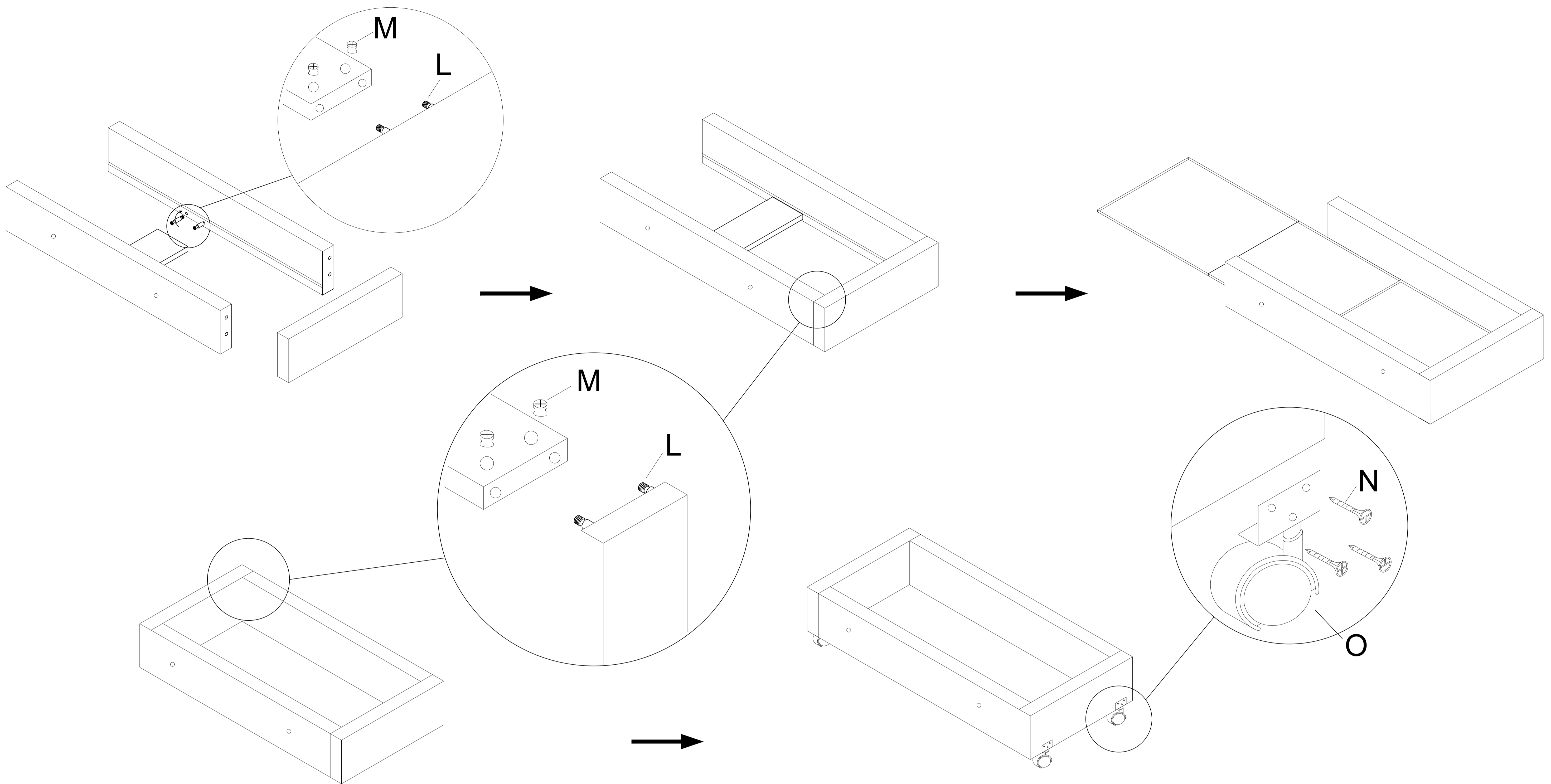
Fix the slats ⑰ to the side support bar With nails J by using electric drill or screw driver

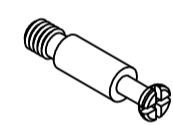

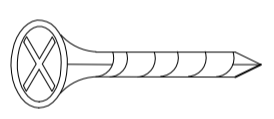
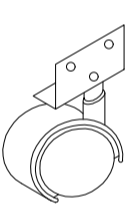
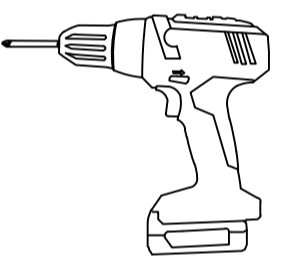


J Nails x4	
 M4X30mm	

## Step 13 x2

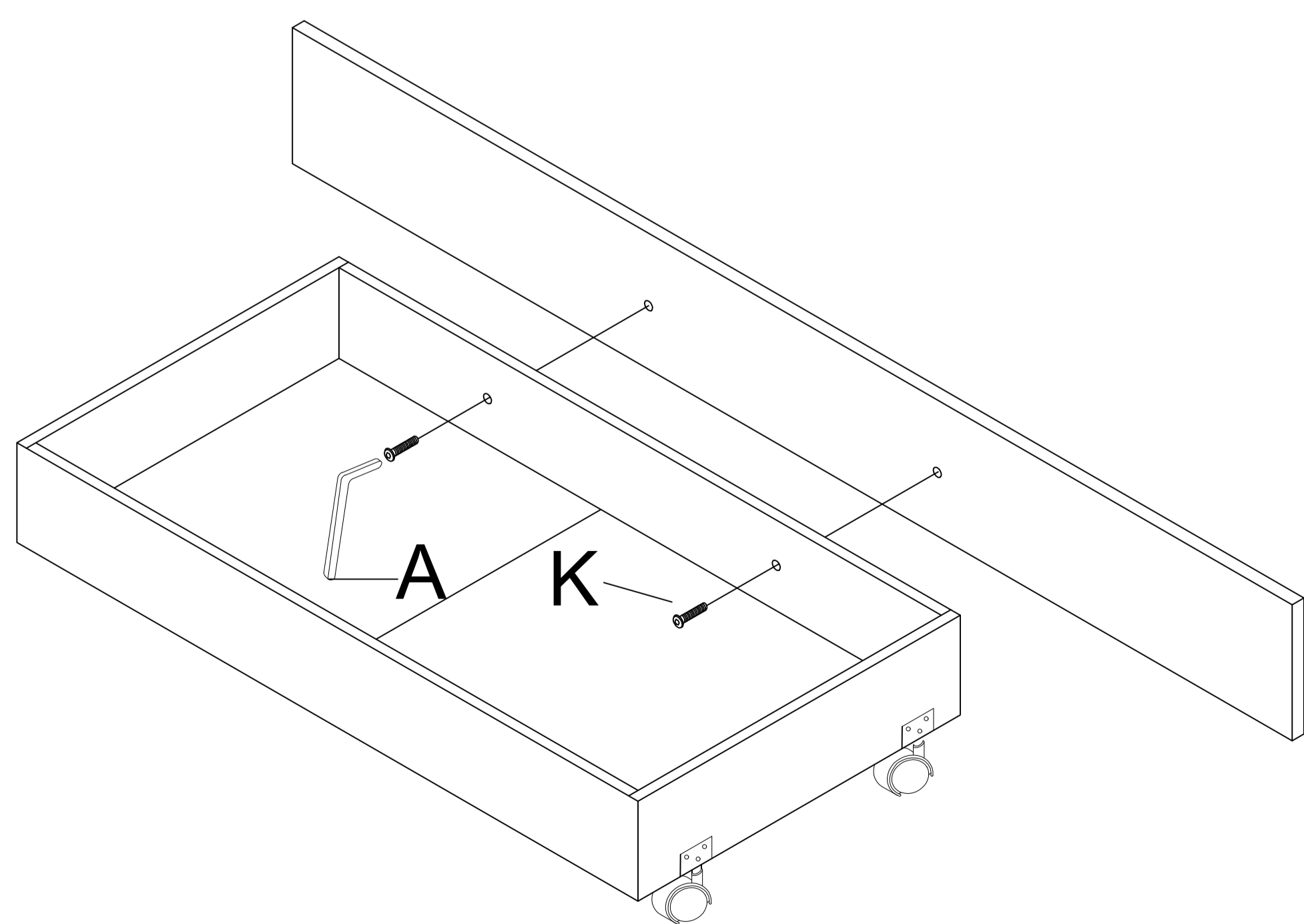
assembled the drawer with drawer fittings M and L fix the drawer wheel R with nails N by using electric drill or screw driver


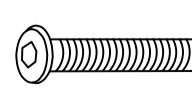


L Drawer fittings x 24 	M Drawer fittings x 24 	N Nails x 24 M3X16mm 	O Drawer wheel x 8 	
---	---	--	---	---

## Step 14 x2

Fix the drawer outer board 15 to the drawer With bolts K by using Allen key A



A Allen Key 	K Bolts x 4 M8X30mm 
--	---

## Step 15

Push the two drawers into the bed then assembled is finished, now please tighten all hard ware and enjoy the bed

