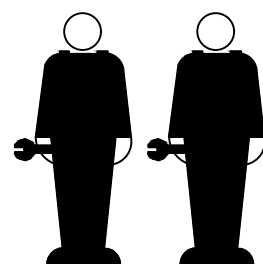
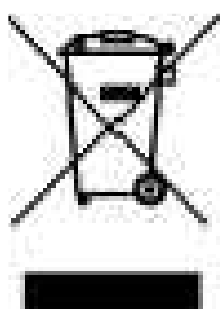
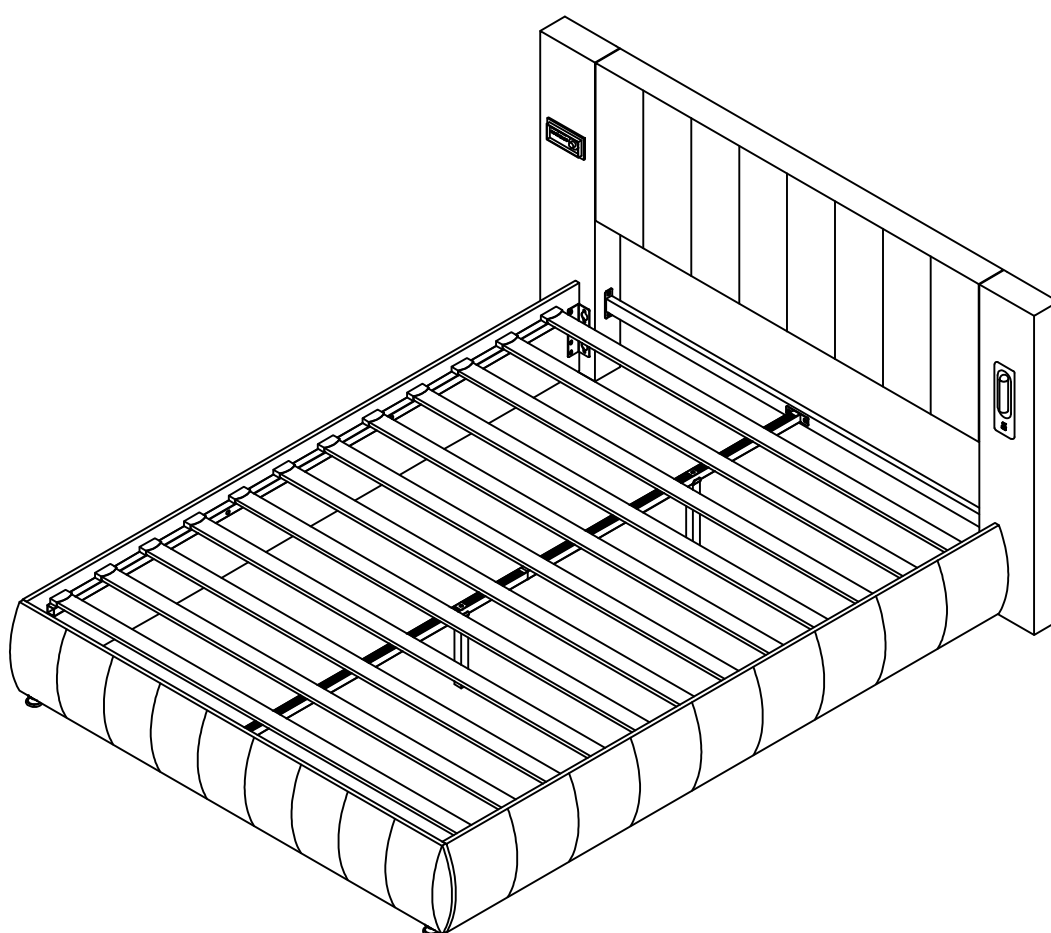


ASSEMBLY INSTRUCTIONS

Item Number N604P247562G
N604P247563G

This set comes in 2 boxes. If you do not receive a full 2 boxes, please contact our customer service.

Upholstered bed-150*200CM



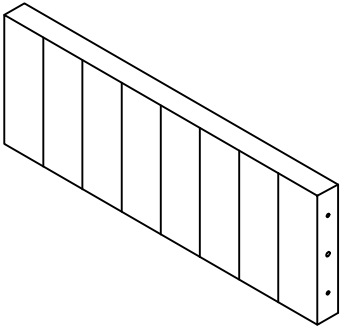
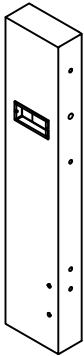
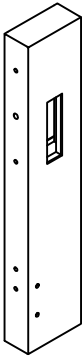
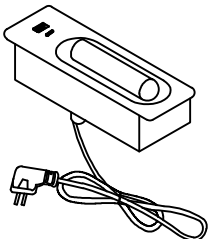
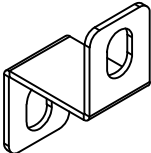
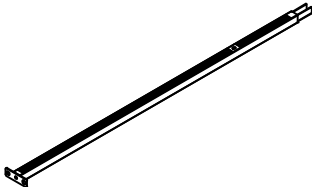

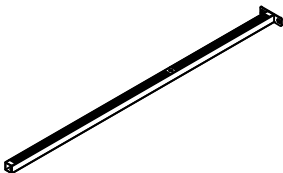
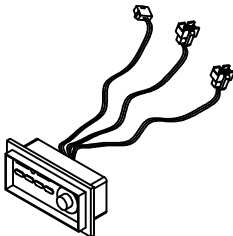

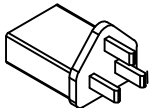
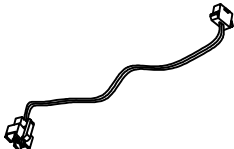
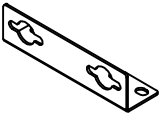
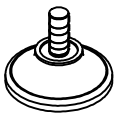
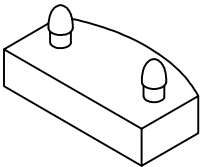
60min

INSTRUCTIONS

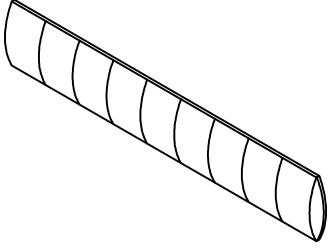
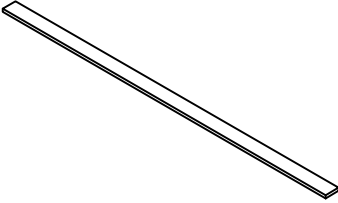
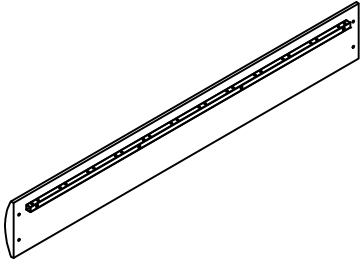
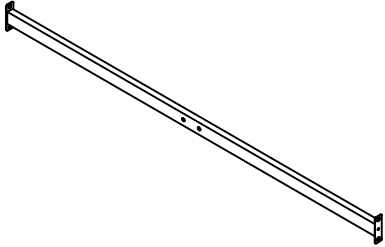
IMPORTANT-READ CAREFULLY-RETAIN FOR FUTURE REFERENCE

- a) WARNING** -Children can become trapped between the bed and the wall, the adjoining pieces of furniture (e.g. cupboards) and the Ikea. To avoid risk of serious injury the distance between the safety barrier and the adjoining structure shall not exceed 75 mm or shall be more than 230 mm.
- b) WARNING**-Do not use the bed if any structural part is broken or missing; Replacement parts are between requested from the manufacturer or the store.
- c) WARNING**-Do not climb or wiggle on any non-designated structures.
- d)** it is imperative to always follow the installation instructions and manufacturer's use.
- e)** The recommended size of the mattress to be used with the bed is 150cmx200cm,maximum thickness mattress:25cm.
- f)** It is necessary to ventilate the room in order to maintain a low level moisture and prevent mold growth in the bed and its periphery.
- g)** Joining devices should always be tightened properly and regularly verified. Tighten if necessary.

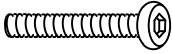
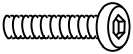

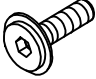



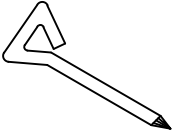
Part list N604P247563G

A	1PC	F1	1PC	F2	1PC		
 <p>Headboard</p>		 <p>Left wing</p>		 <p>right wing</p>			
G	1PC	G1	2PCS	H	1PC	I	2PCS
 <p>Wall lamp</p>		 <p>Connector</p>		 <p>middle bar Back</p>		 <p>Support leg</p>	
J	1PC	K1	1PC	K2	1PC	K3	1PC
 <p>middle bar front</p>		 <p>loudspeaker box</p>		 <p>Power line</p>		 <p>Adapter</p>	
K4	1PC	L	4PCS	M	2PCS	O	24PCS
 <p>Extension</p>		 <p>Indices "L"</p>		 <p>Legs</p>		 <p>Plastic caps (Single)</p>	

Part list N604P247562G

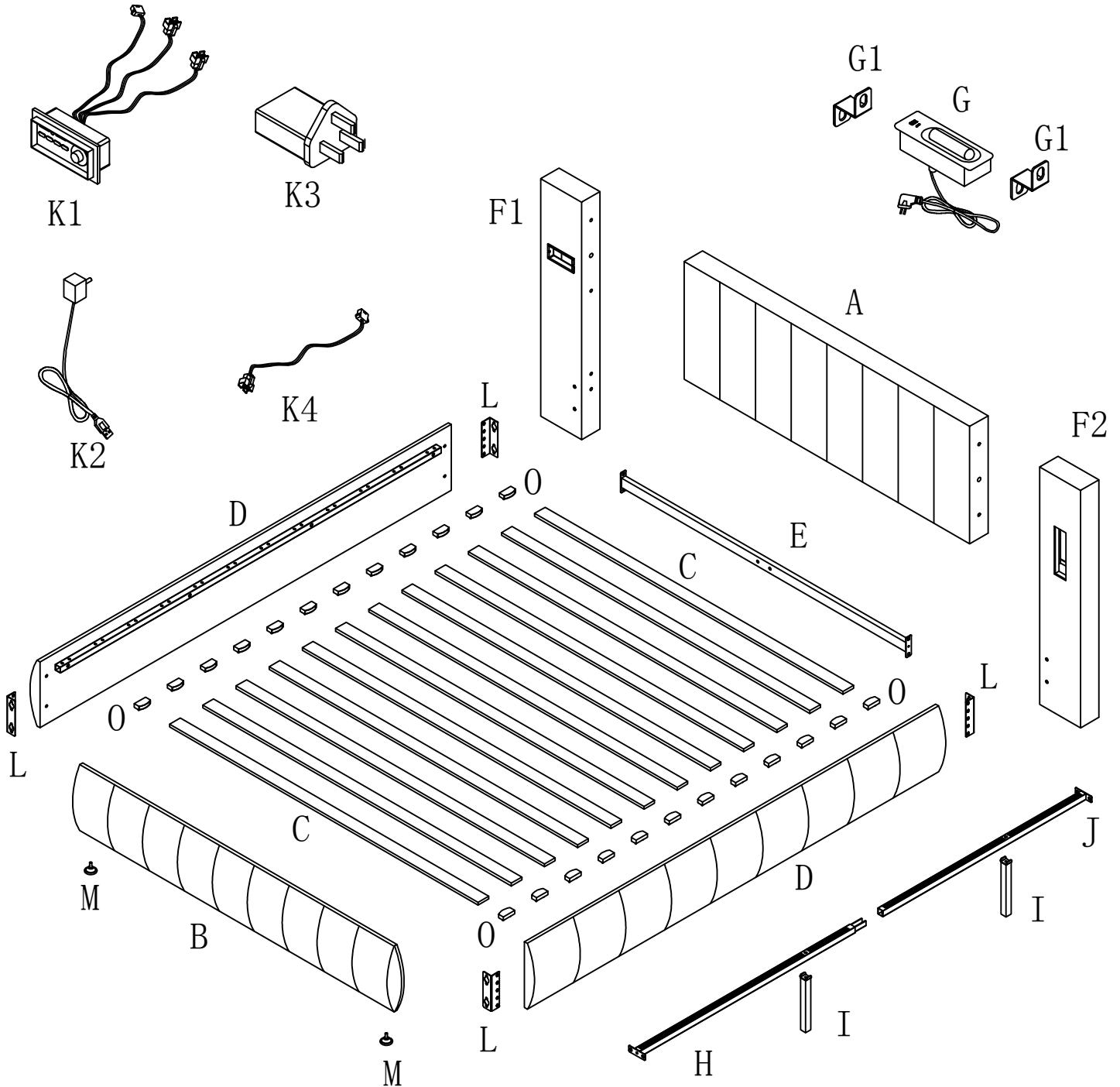
<p>B 1PC</p>  <p>Footboard</p>	<p>C 12PCS</p>  <p>lath</p>	<p>D 2PCS</p>  <p>Facing customer Side Rail</p>
<p>E 1PC</p>  <p>Bottom Rail</p>		

Hardware list N604P247563G

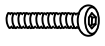

<p>P 2PCS</p>  <p>M8*40mm</p>	<p>Q 4PCS</p>  <p>M8*32mm</p>	<p>R 4PCS</p>  <p>M8*25mm</p>
<p>S 22PCS</p>  <p>M8*18mm</p>	<p>T 4PCS</p>  <p>M3*15mm</p>	<p>U 4PCS</p>  <p>ø22*ø8.5</p>
<p>V 1PC</p>  <p>M5</p>	<p>W 1PC</p>  <p>M5</p>	

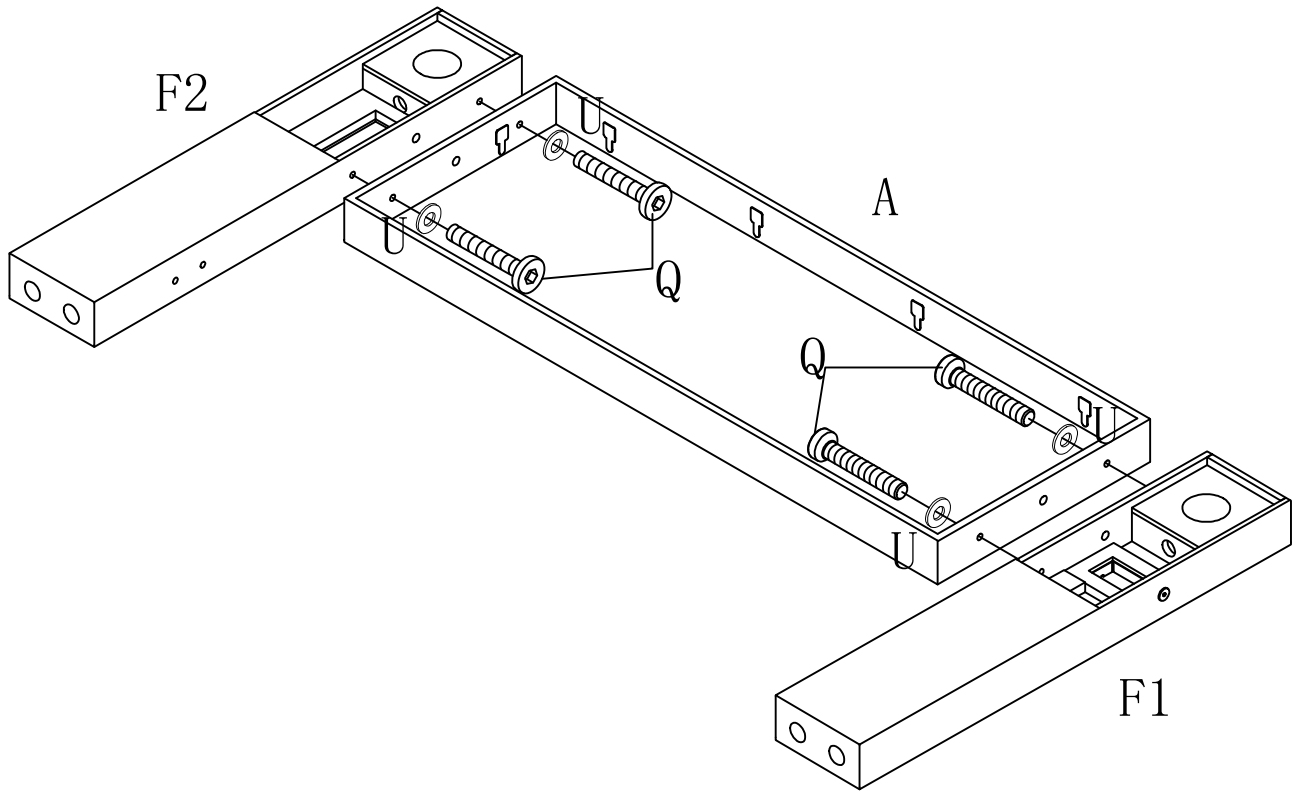
Detail View

NOTE: Please do not completely tighten all the hardware until the entire assembly is complete!




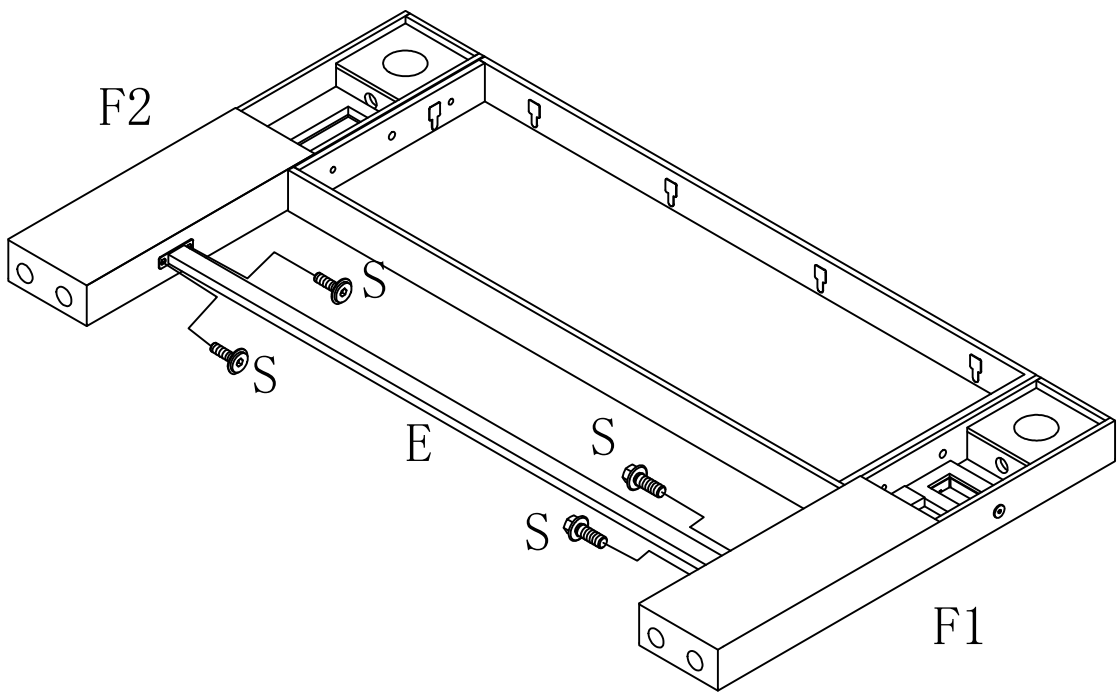
step1

Q	U
	
2PCS	2PCS




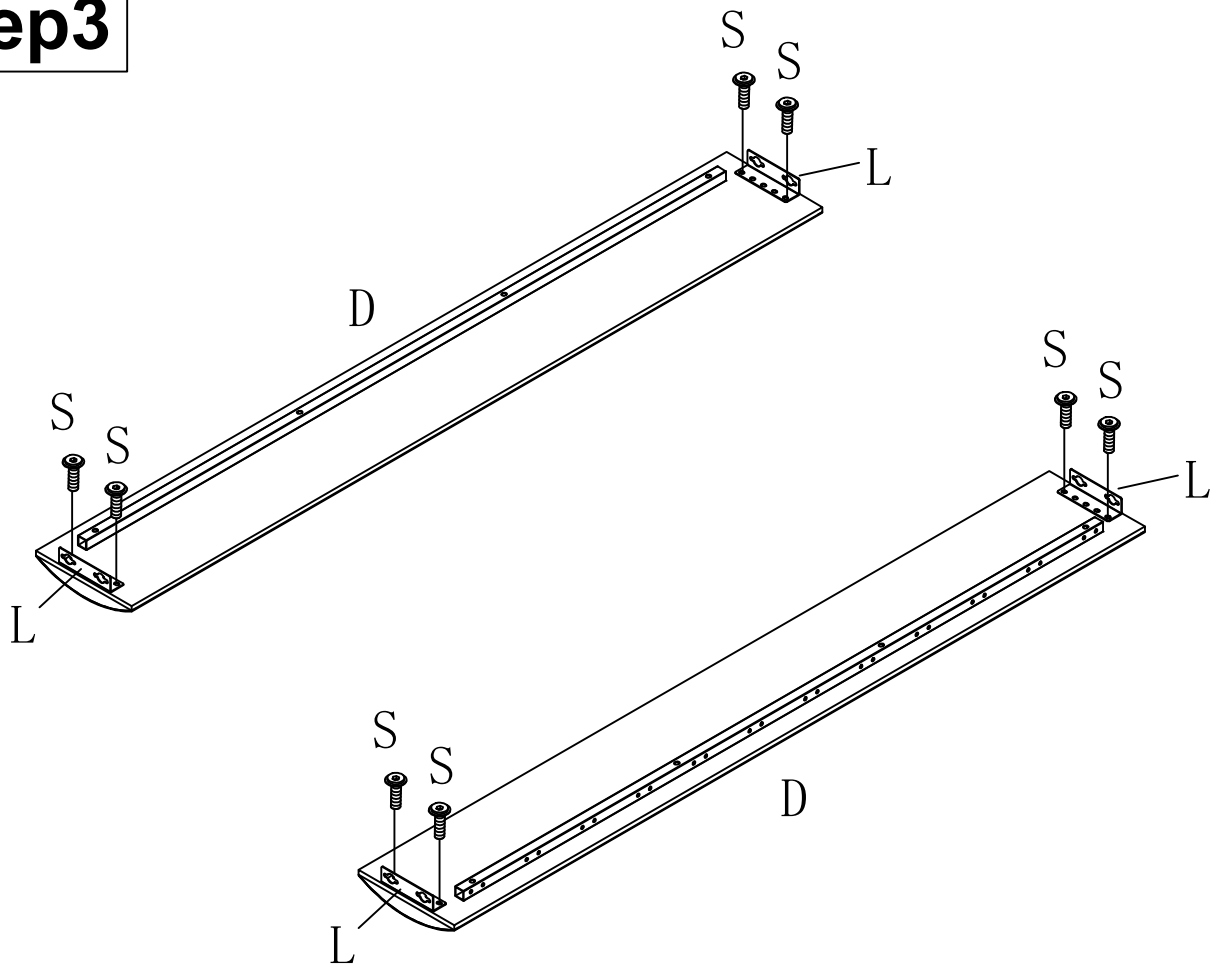
step2

S

4PCS



step3

S

8PCS



step4

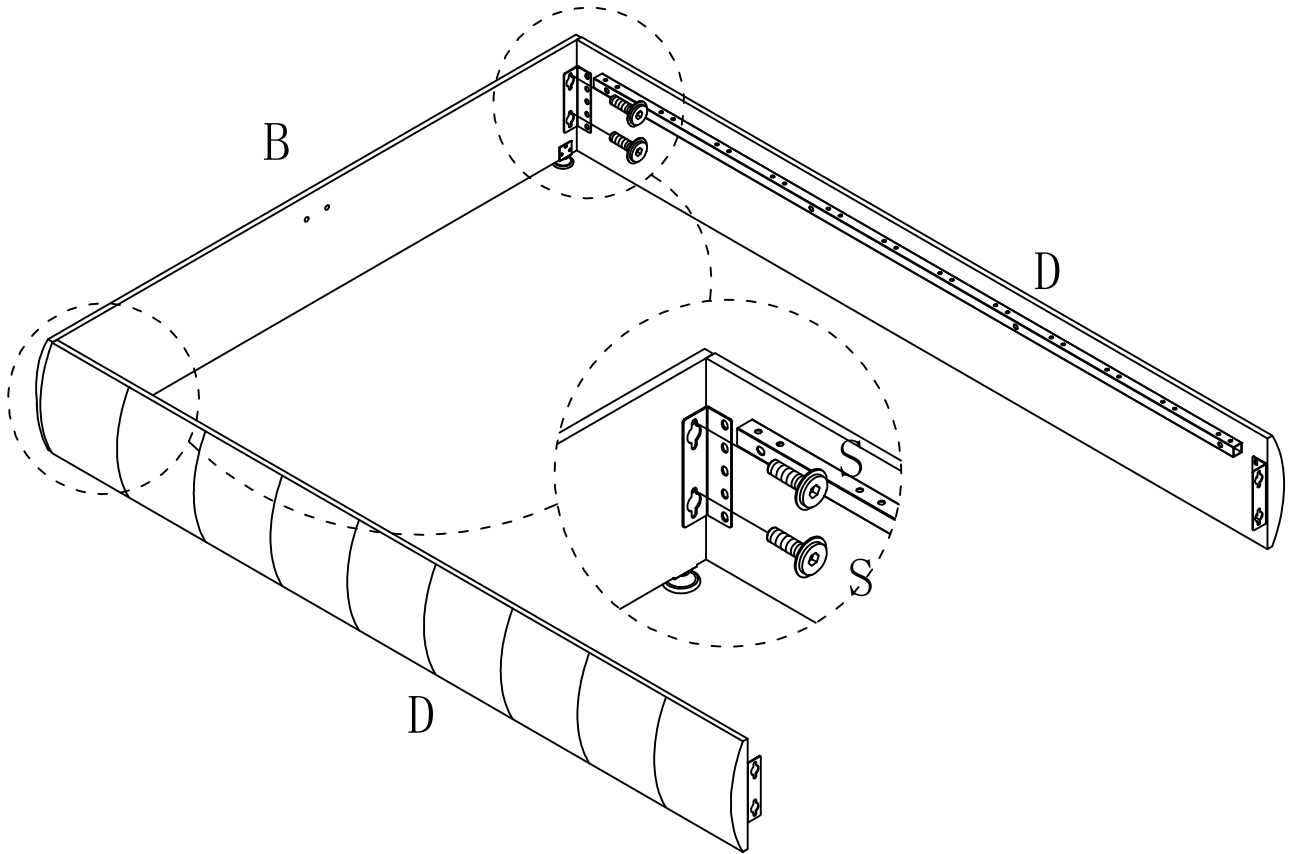


step5

S



4PCS

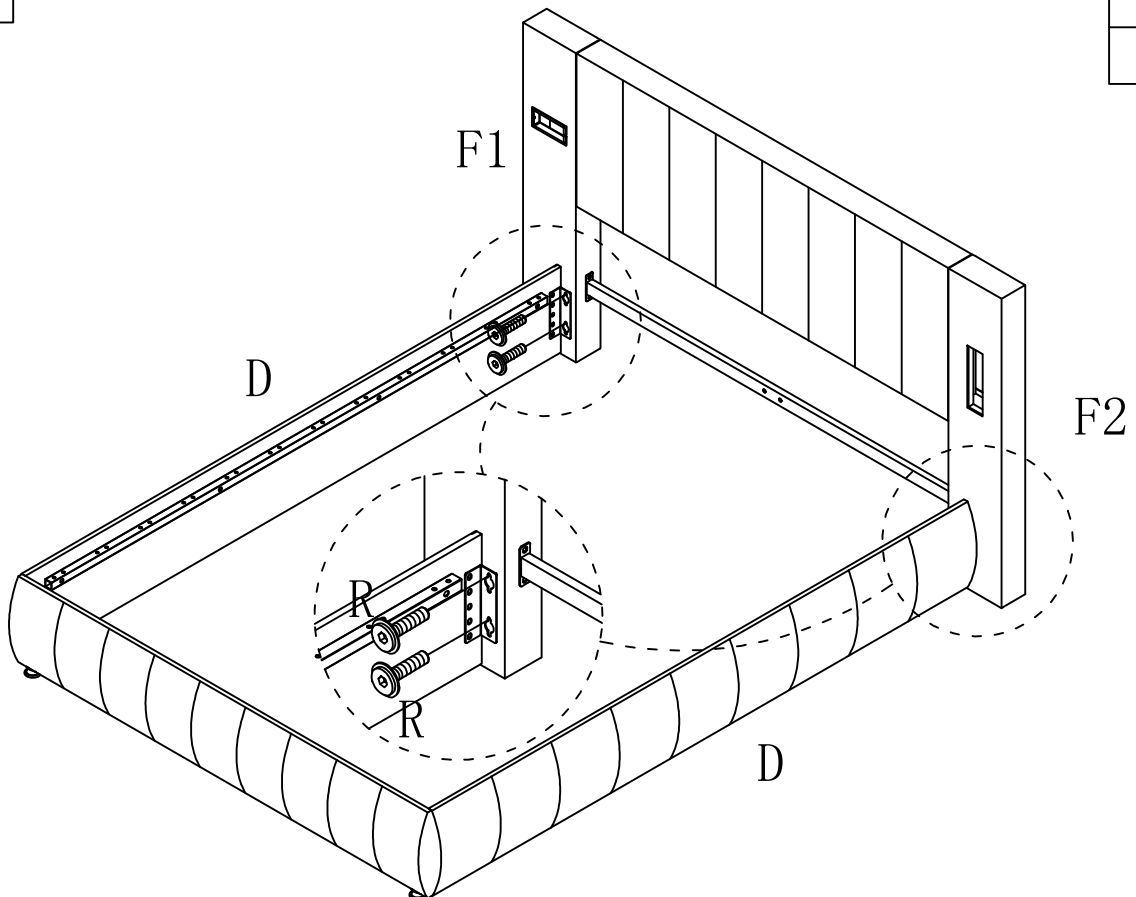


step6

R



4PCS

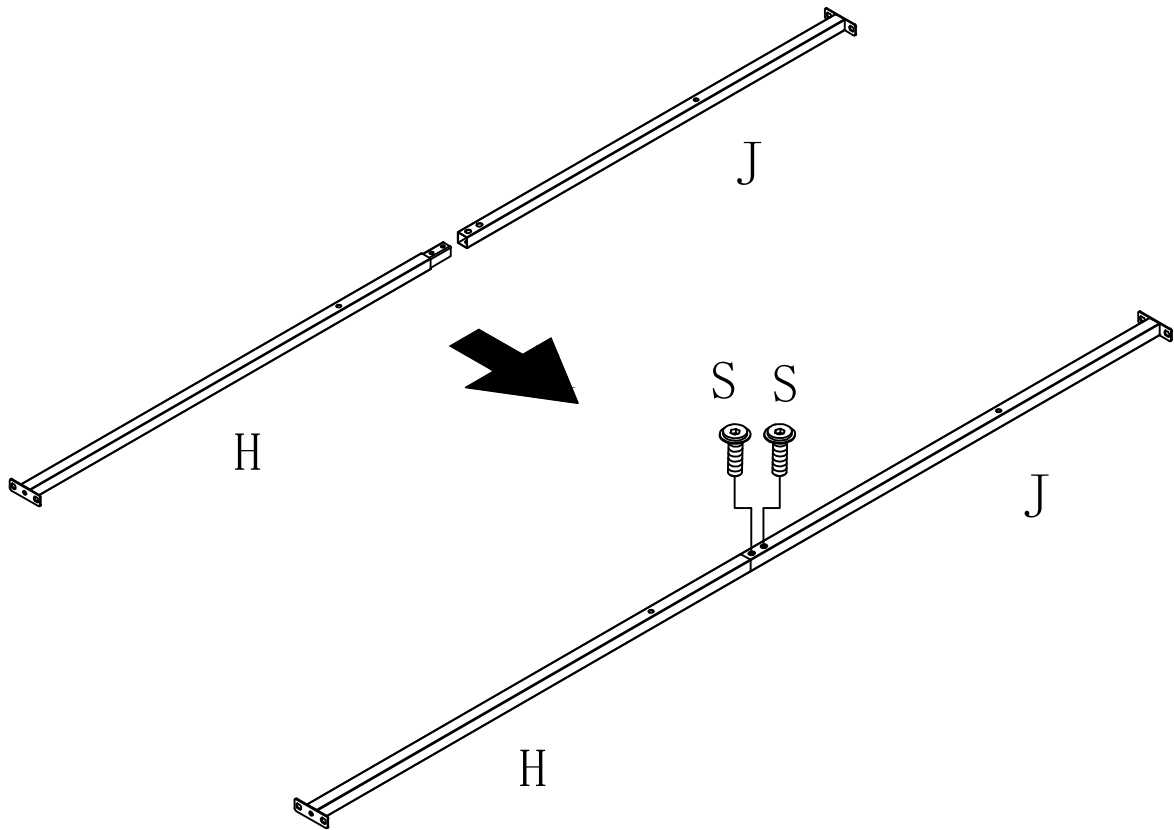


step7

S



2PCS

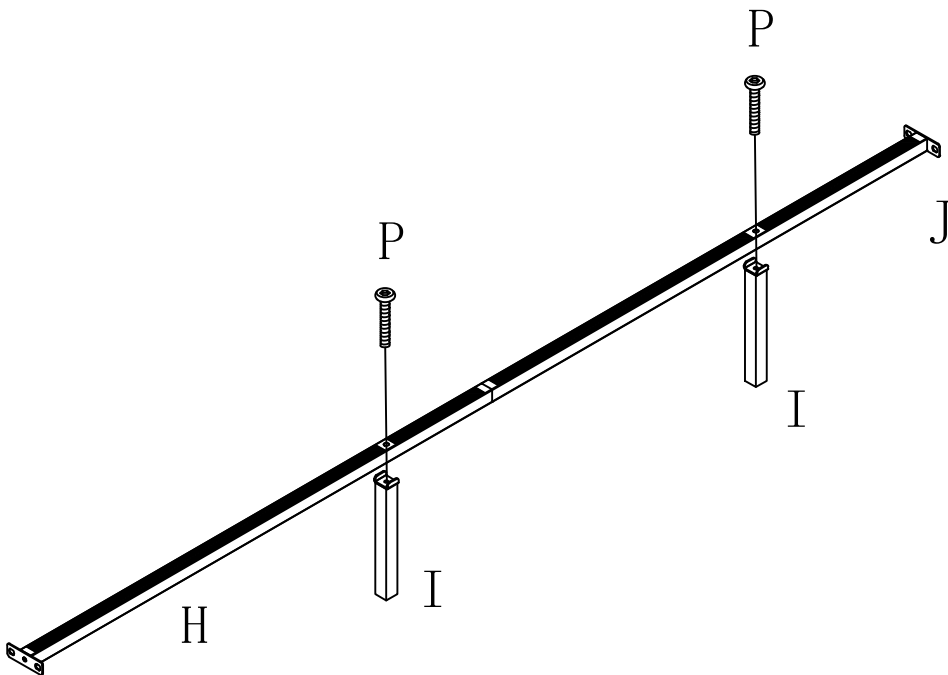


step8

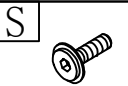
P



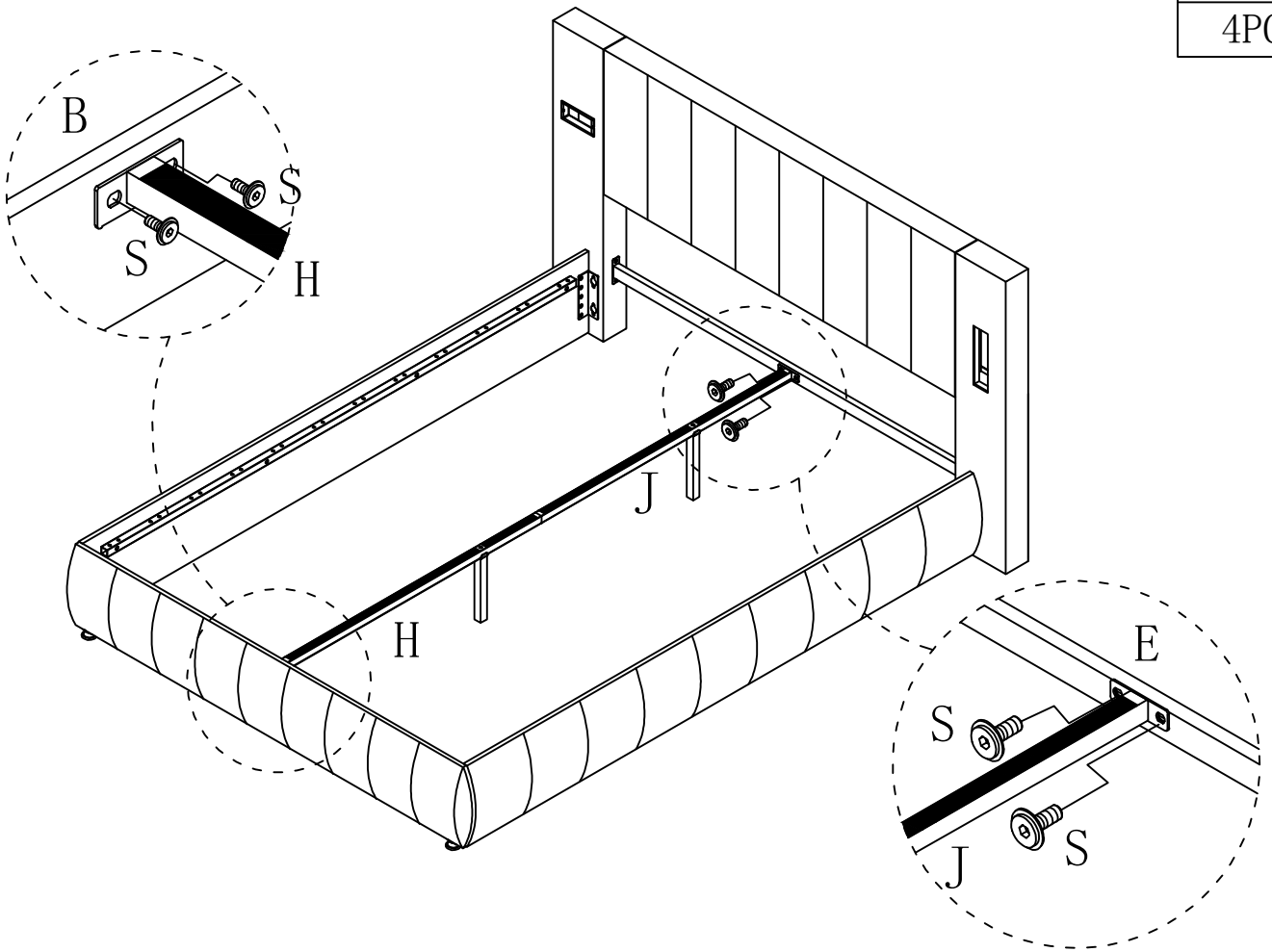
2PCS



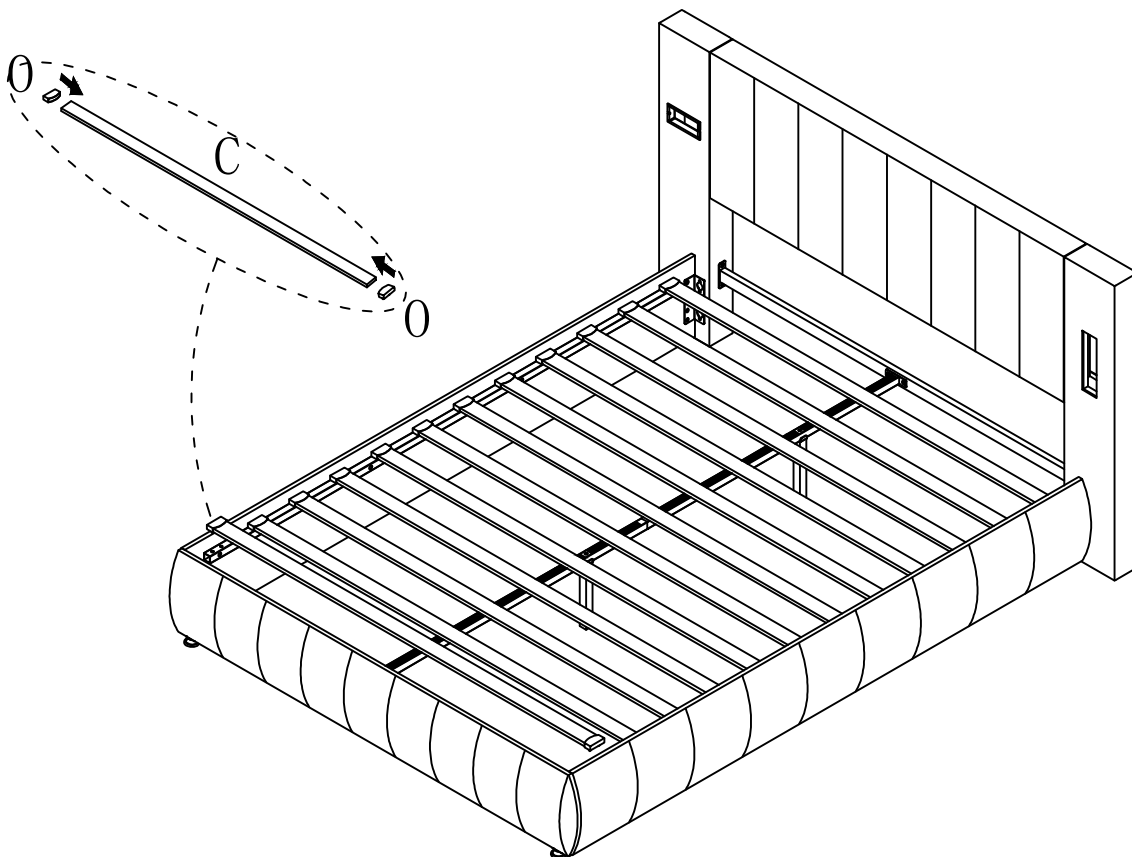
step9




4PCS

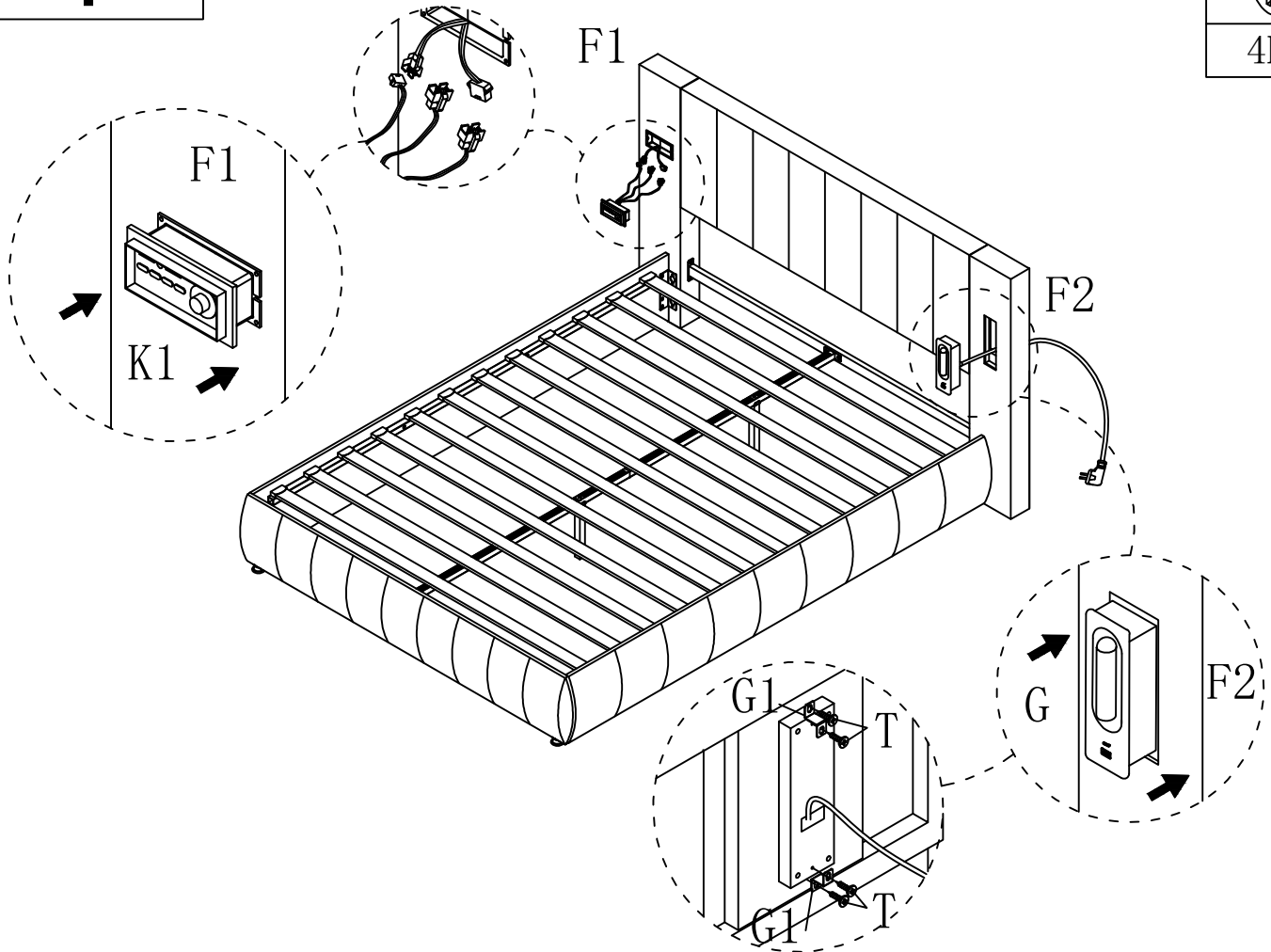


step10

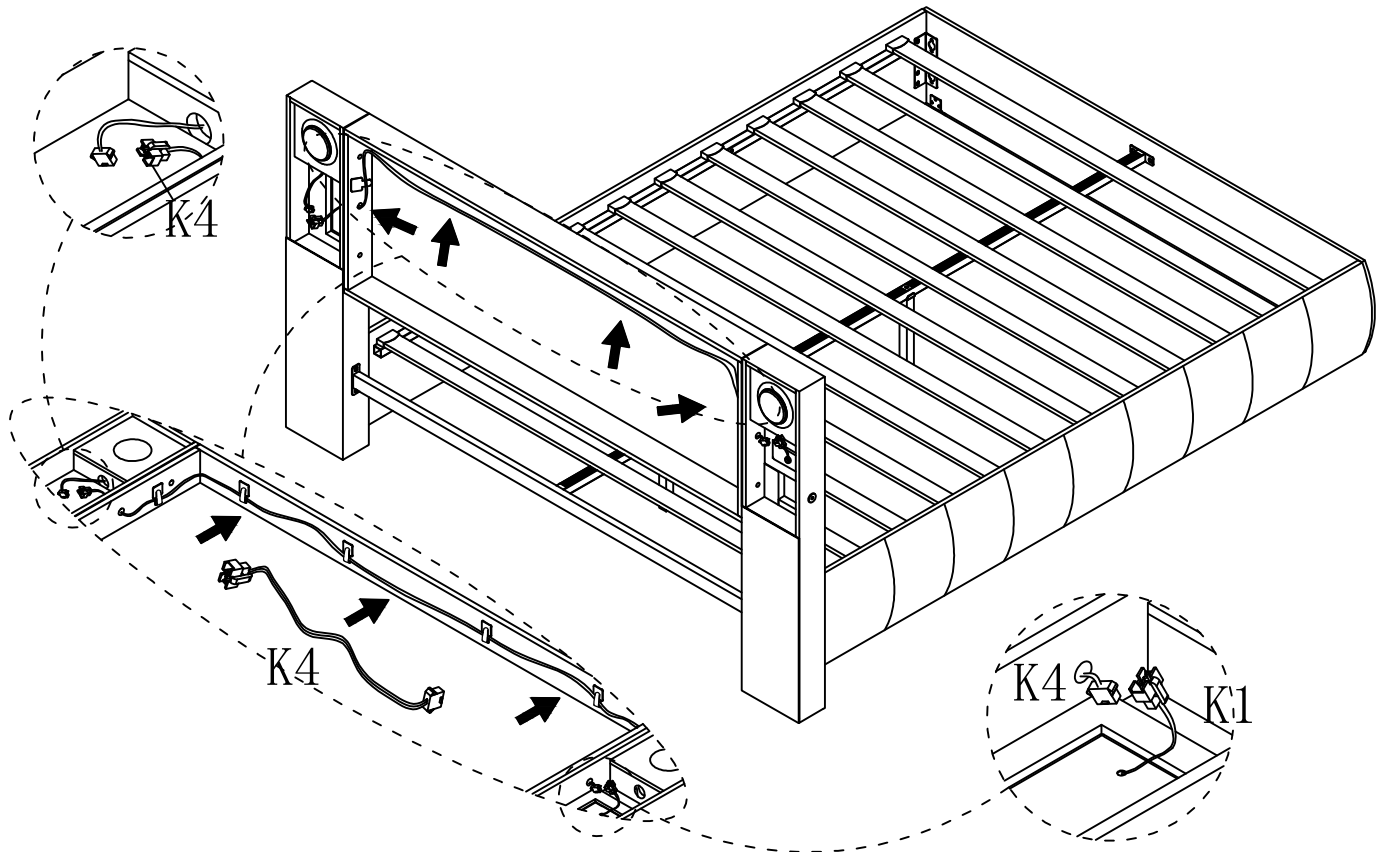


step11

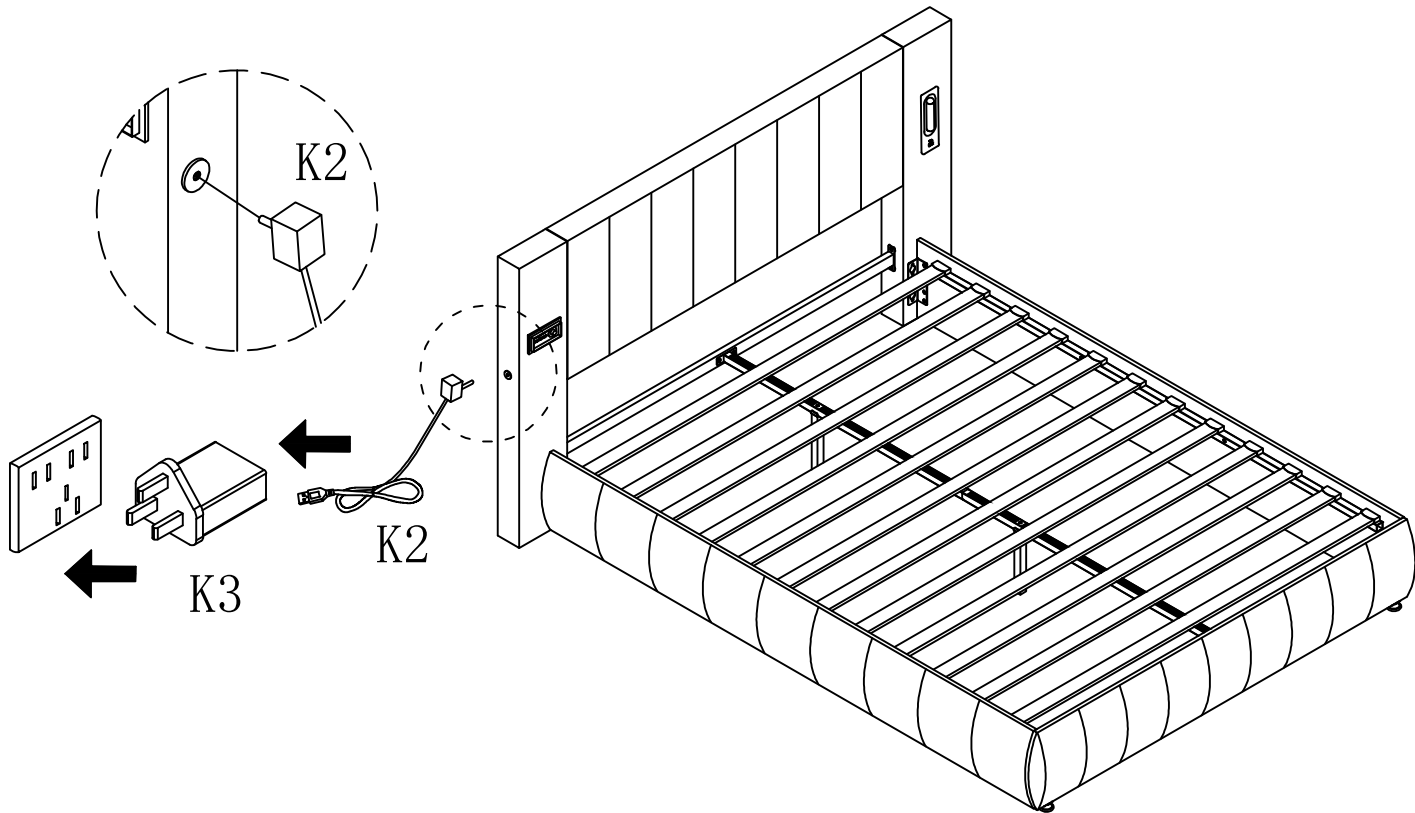
T

4PCS



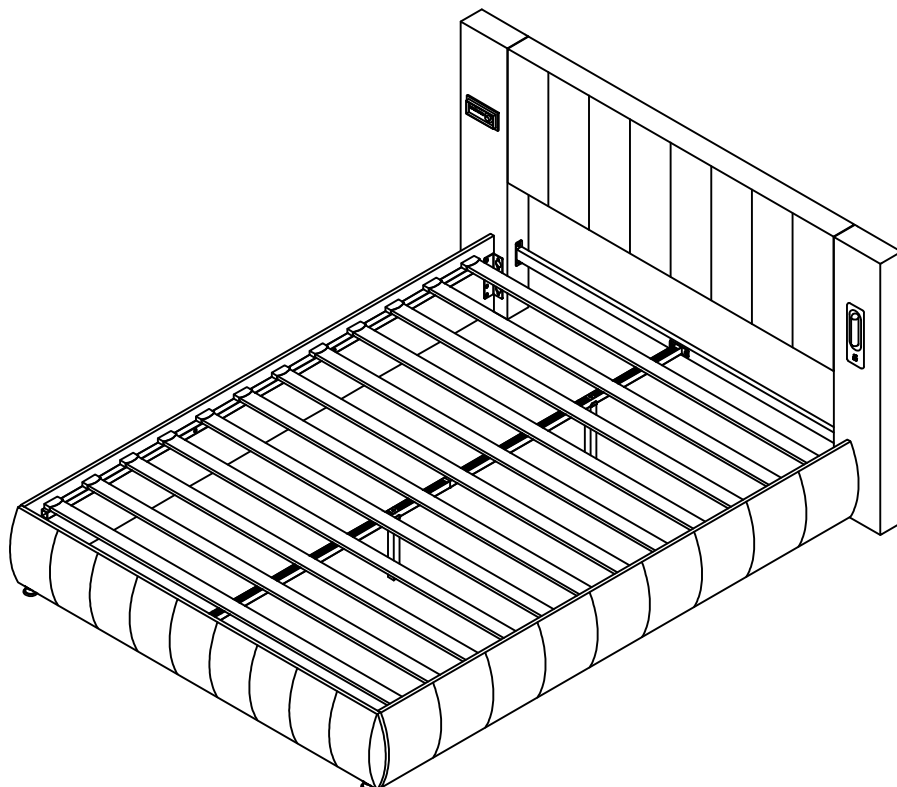
step12



step13



step14



Certificate of Conformity



Certificate Number: JKC20241120996EN

Holder of Certificate ..: Zhangzhou Jinhe Electronic Technology Co., Ltd

Address.....: Jiao Mei Zhen Hong Jian Cun Jiao Song, Taiwan
Merchants Investment Zone, Zhangzhou, Fujian
Province3rd Floor, Building C, No. 59 Road

Manufacturer.....: Zhangzhou Jinhe Electronic Technology Co., Ltd

Address.....: Jiao Mei Zhen Hong Jian Cun Jiao Song, Taiwan
Merchants Investment Zone, Zhangzhou, Fujian
Province3rd Floor, Building C, No. 59 Road

Trademark.....: /

Product Name.....: JH-15

Model(s): JH-15,JH-51,JH-52,JH-53,JH-54,JH-55,
JH-56,JH-57,JH-58,JH-59,JH-60

Rating.....: AC85-250V,12A,150W

Test Standard.....: EN 55032:2015/A1:2020
EN 55035:2017+A11:2020
EN IEC61000-3-2:2019+A1:2021
EN 61000-3-3:2013+A2:2021

Directives.....: EMC Directive 2014/30/EU

Report Number.....: JKC20241120996

Remark: The certificate of conformity is based on an evaluation of sample if the above mentioned product. Complies with the requirements of European Community EMC Directive 2014/30/EU.This declaration applies to all specimens manufactured in accordance with the attached manufacturing drawing which form part of this declaration.



Murphy Chen,
Department Manager
Date: Nov. 20, 2024

JieKe (Shenzhen) Testing Techonlogy Co.,Ltd.

4A06, No.93, Qianjin Second Road,81 District, Hexi Community, Xixiang Street, Bao'an District, Shenzhen, China

☒jiekejiance@yeah.net ☎ www.jktf-lab.com

ASTA LICENCE

ASTA DIAMOND MARK

Licence No. 1049

Organization: Fund Resources Electric Industry Co., Ltd. Shanghang
Nangang Industry Development Region
Shang Hang County
Fujian Province
364200, China

Product: Fused Plug

Designation: BS-01J

Colour(s): Black, White alternatively Grey

Characteristics: 250 Volts a.c. 50 Hz, 13 Amperes
Rough Use (BS 1363/A)
Non-rewirable
Solid brass L & N pins
Brass Earth pin alternatively ISOD
Crimped terminations
Solid moulded-on construction

Approval Standard: BS 1363-1: 2016 +A1: 2018

Issue Number: 8

Review Date: 30 November 2027

Factory Reference: FUNDCN.A1

R.W. Hayward

Name



Signature

15 March 2023

Date

This licence is for the exclusive use of Intertek's client and is provided pursuant to the agreement between Intertek and its Client. Intertek's responsibility and liability are limited to the terms and conditions of the agreement. Intertek assumes no liability to any party, other than to the Client in accordance with the agreement, for any loss, expense or damage occasioned by the use of this licence. Only the Client is authorized to permit copying or distribution of this licence and their only in its entirety. Any use of the Intertek name or one of its marks for the sale or advertisement of the tested material, product or service must first be approved in writing by Intertek.
Issued by Intertek Testing & Certification Ltd, Academy Place, 1-9 Road Street, Borehamwood CM9 9HQ, United Kingdom
a UKAS accredited certification body, No. 9020