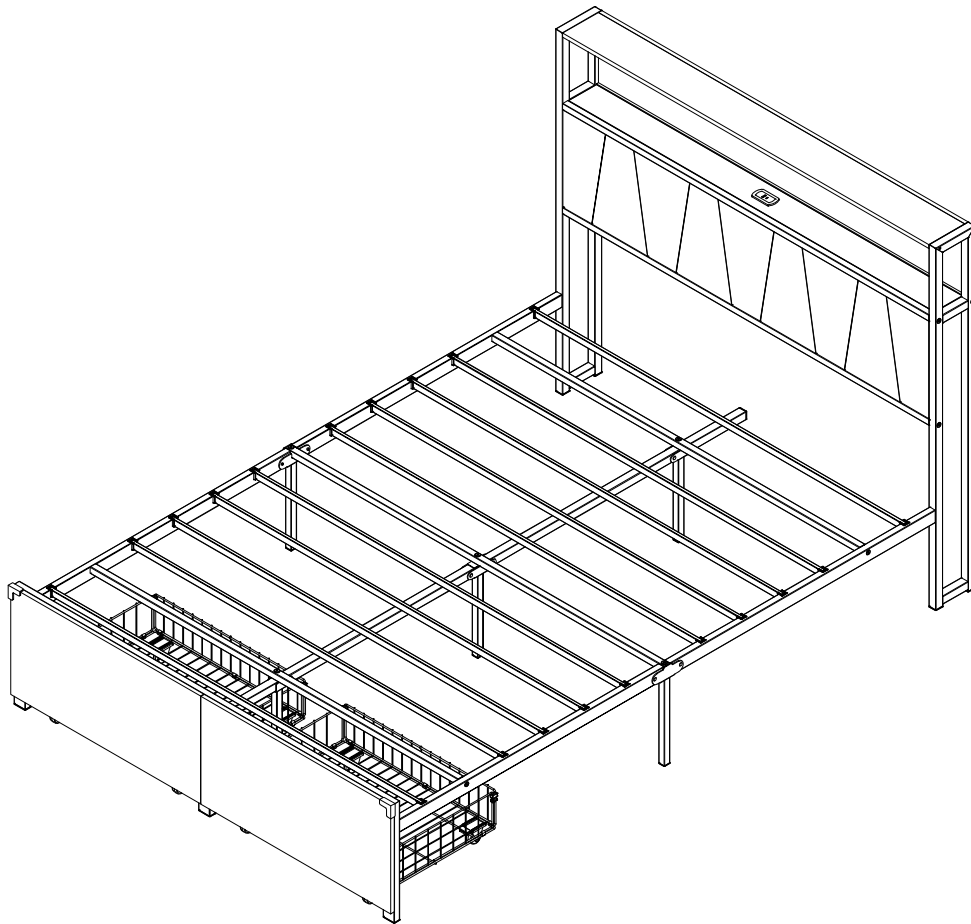


Upholstered bed N652P248178/N652P248179




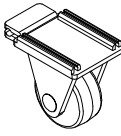
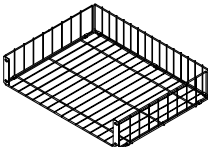
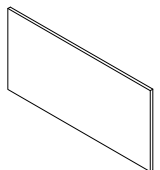
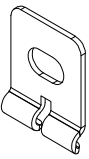
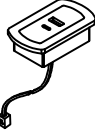
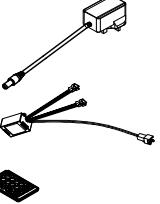
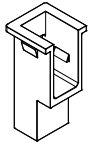

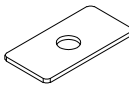
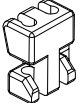
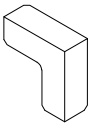

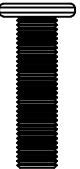
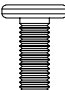
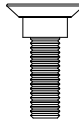


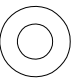




TIPS

1. Please read the instructions fully before assembly. These instructions include important information which could ensure correct assembly. We have been working on providing high quality products for you. However, in the rare instance that your product is defective, missing parts or there are some issues, please don't hesitate to contact our customer service to submit parts requirements, assembly suggestion, or warranty claims, and we will give the best solution as soon as possible. If necessary, we need you to provide some more clear pictures of the issue.
2. Insert the screws in holes and tighten the screws, but not too tight, 70%~80% is ok, finally tighten all the screws. If some issues happened that some screws can not target to the hole or some parts are difficult to install, please adjust the tightness of the screws.

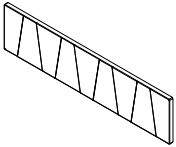
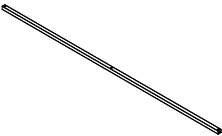
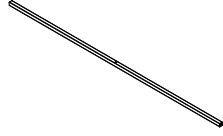
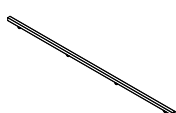
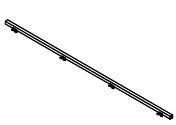
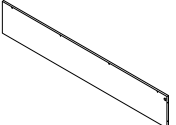
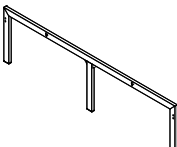
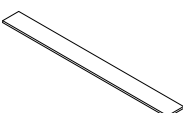
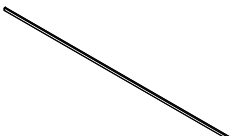
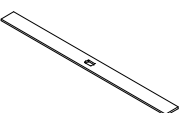
Part List N652P248178

1/2

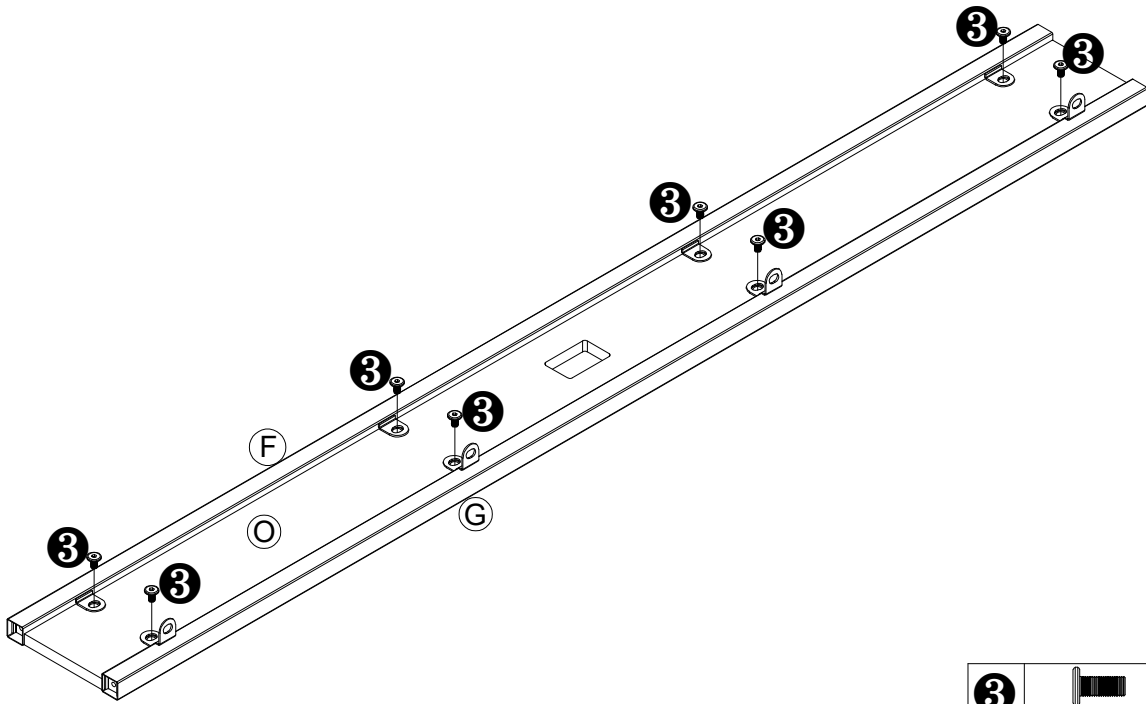
<p>(B)</p>  <p>2PCS</p>	<p>(D)</p>  <p>1PC</p>	<p>(E)</p>  <p>2PCS</p>	<p>(K)</p>  <p>8PCS</p>	<p>(L)</p>  <p>2PCS</p>
<p>(M)</p>  <p>2PCS</p>	<p>(P)</p>  <p>2PCS</p>	<p>(Q)</p>  <p>1PC</p>	<p>(R)</p>  <p>1PC</p>	<p>(S)</p>  <p>20PCS</p>
<p>(T)</p>  <p>1PC</p>	<p>(U)</p>  <p>1PC</p>	<p>(V)</p>  <p>4PCS</p>	<p>(W)</p>  <p>2PCS</p>	<p>1</p>  <p>M8*60 5PCS</p>
<p>2</p>  <p>M8*40 18PCS</p>	<p>3</p>  <p>M6*10 26PCS</p>	<p>4</p>  <p>M6*20 2PCS</p>	<p>5</p>  <p>M5*40 10PCS</p>	<p>6</p>  <p>M3*10 4PCS</p>
<p>7</p>  <p>M6 2PCS</p>	<p>8</p>  <p>3*80 1PC</p>	<p>9</p>  <p>4*80 1PC</p>		

Part List N652P248179

2/2

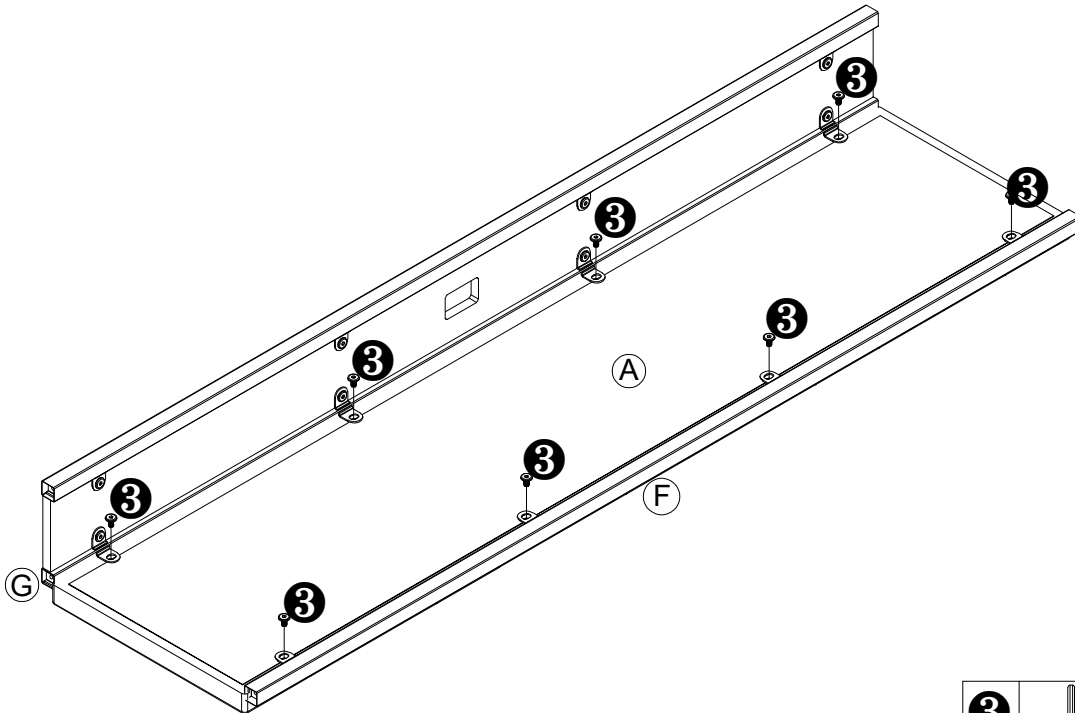
<p>A</p>  <p>1PC</p>	<p>C₁</p>  <p>1PC</p>	<p>C₂</p>  <p>2PCS</p>	<p>F</p>  <p>2PCS</p>	<p>G</p>  <p>1PC</p>
<p>H</p>  <p>1PC</p>	<p>I</p>  <p>1PC</p>	<p>J</p>  <p>1PC</p>	<p>N</p>  <p>10PCS</p>	<p>O</p>  <p>1PC</p>


1



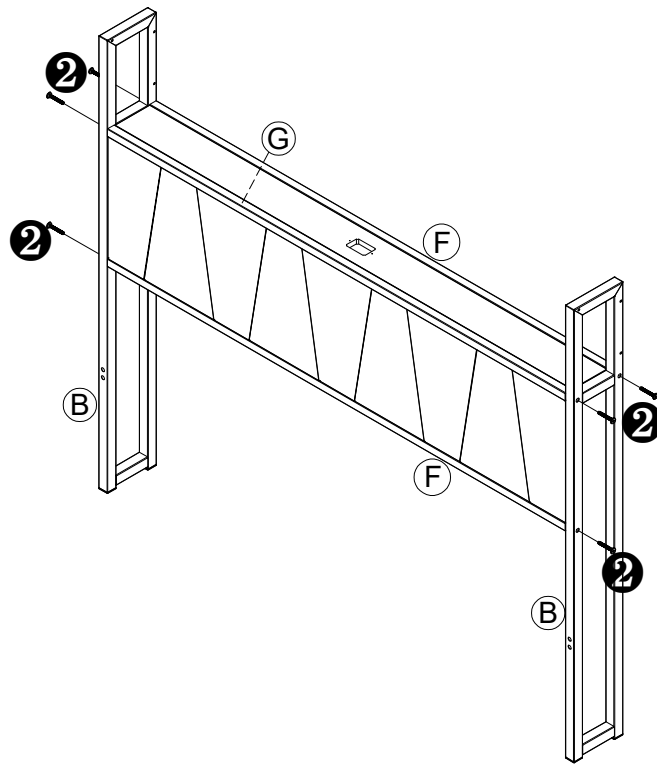
3		8PCS
	M6*10	

2



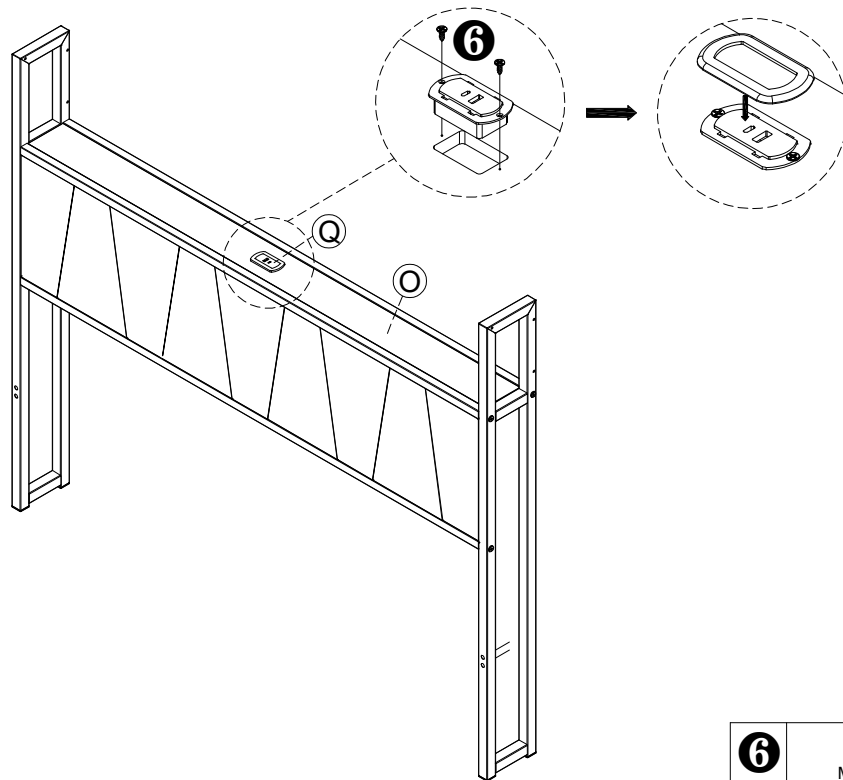
3		8PCS
	M6*10	

3



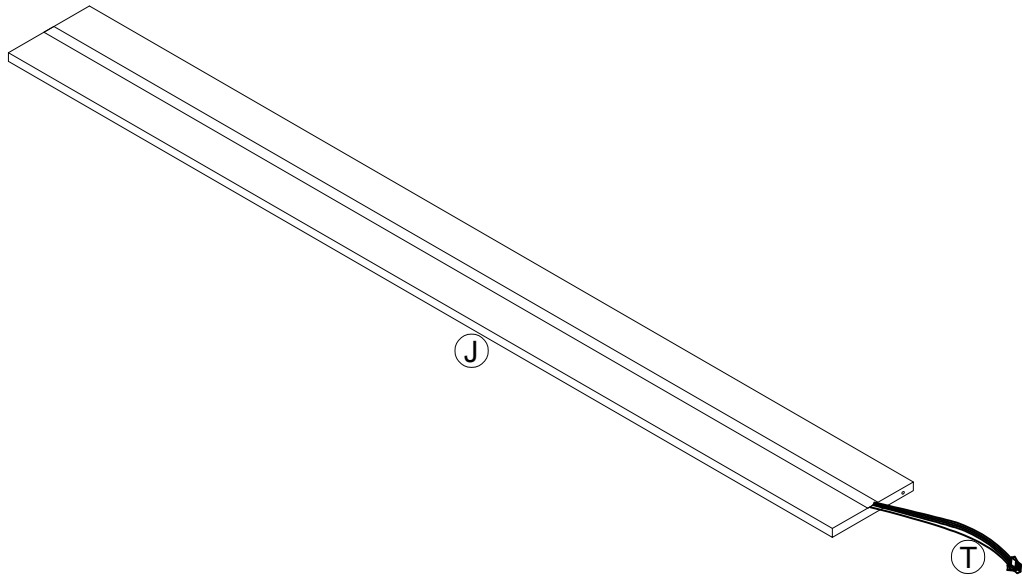
2	 M8*40	6PCS
----------	---	------

4

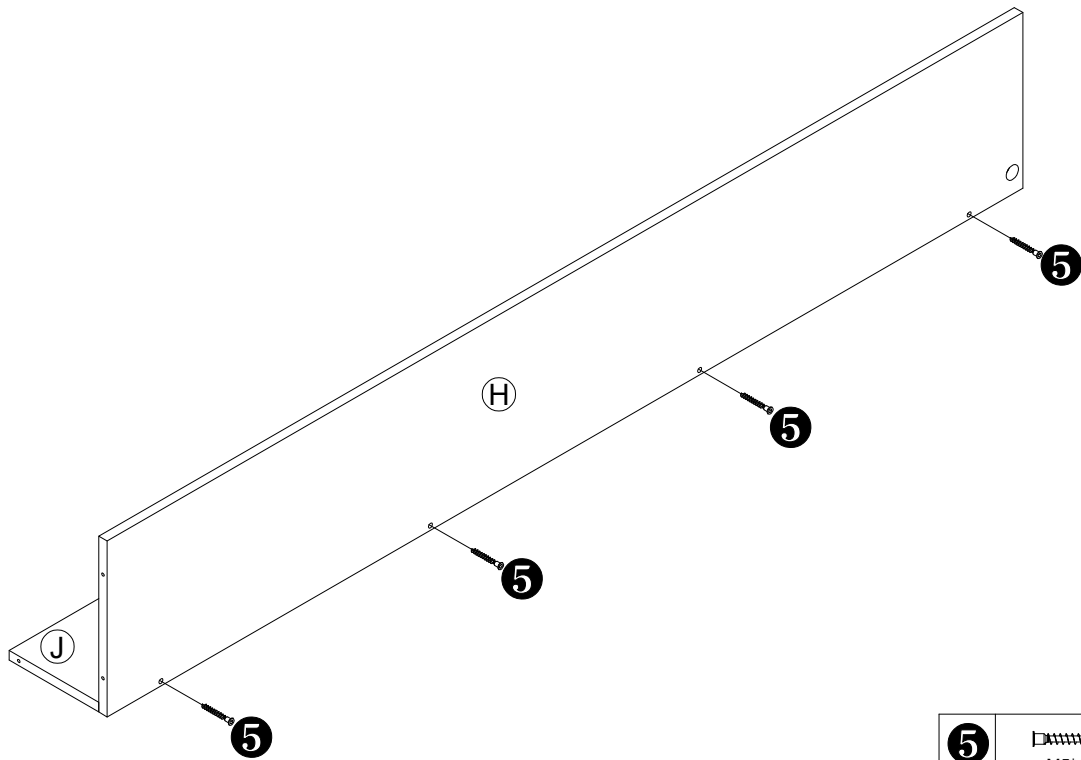


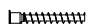
6	 M3*10	2PCS
----------	---	------

5

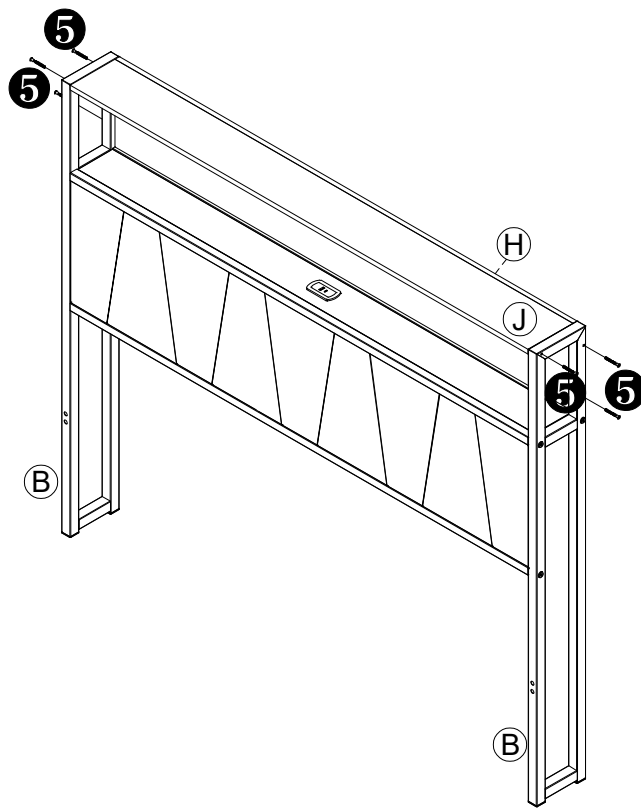


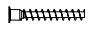
6



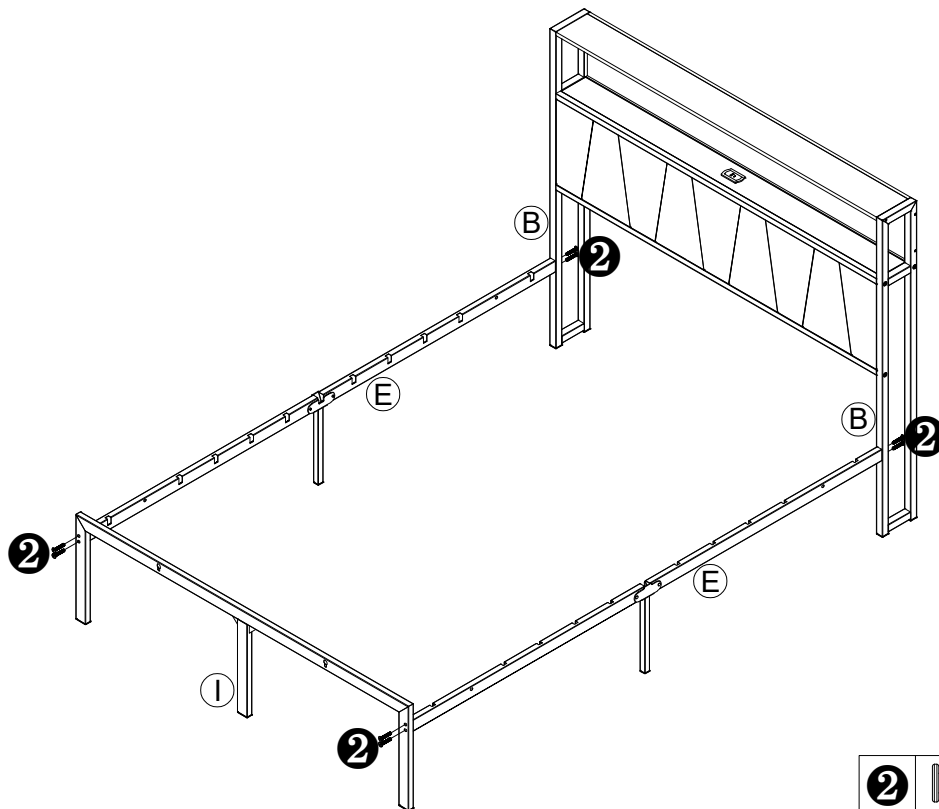
5	 M5*40	4PCS
----------	--	------


7



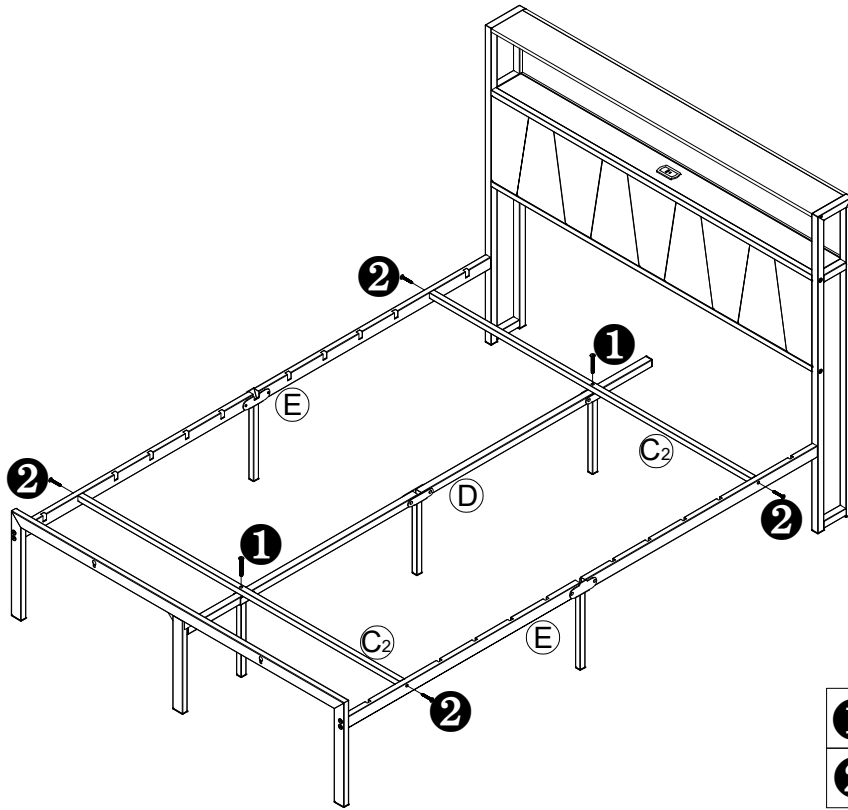
5	 M5*40	6PCS
----------	---	------



8



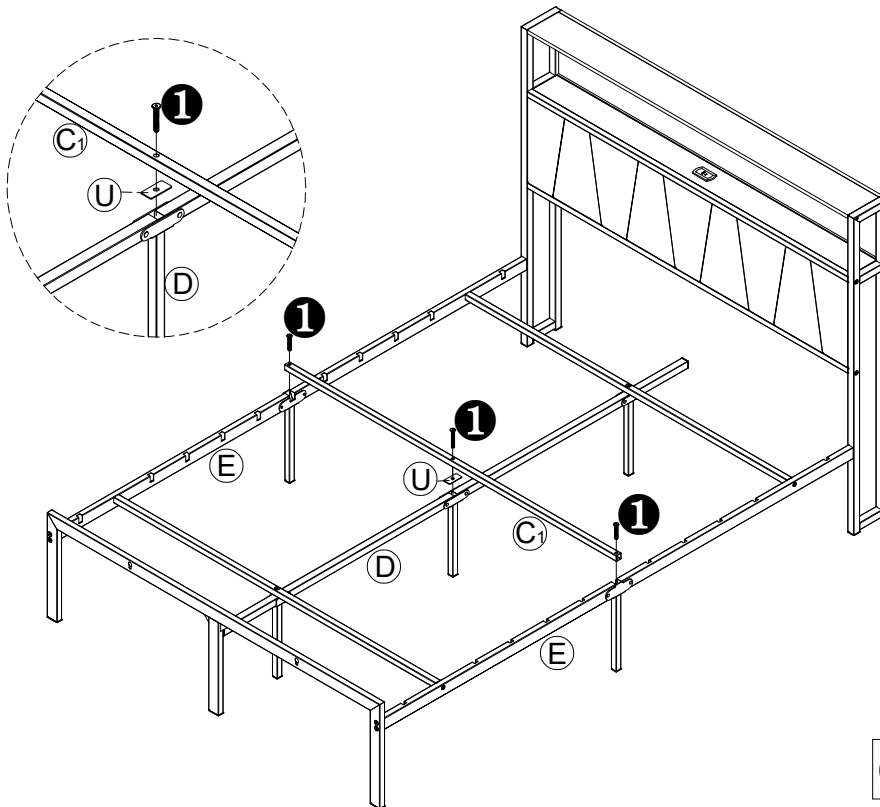
2	 M8*40	8PCS
----------	---	------

9



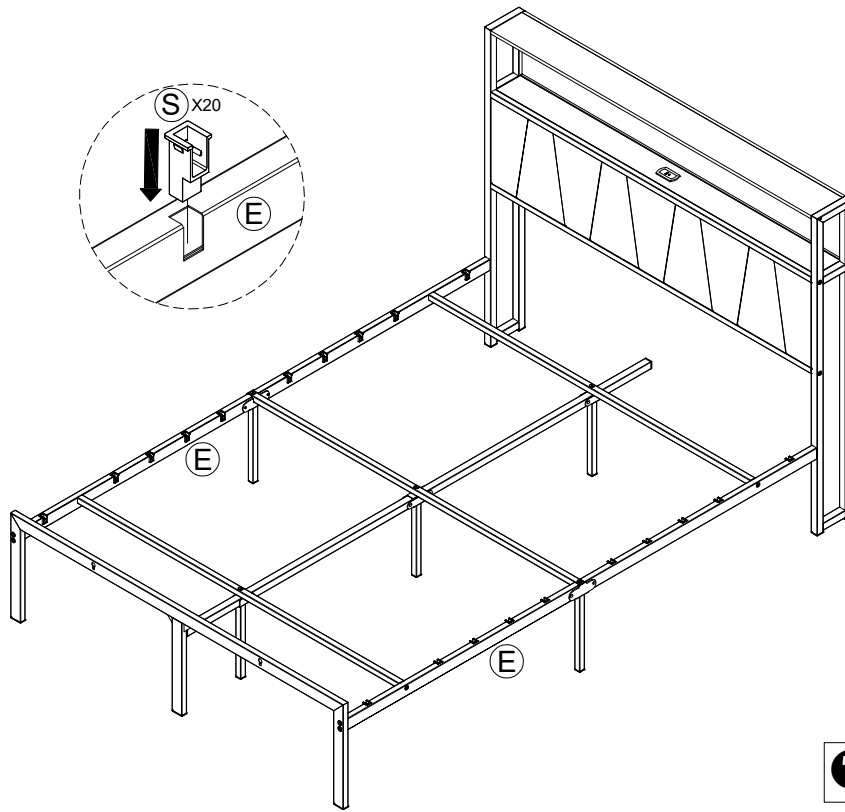
1		2PCS
2		4PCS

10

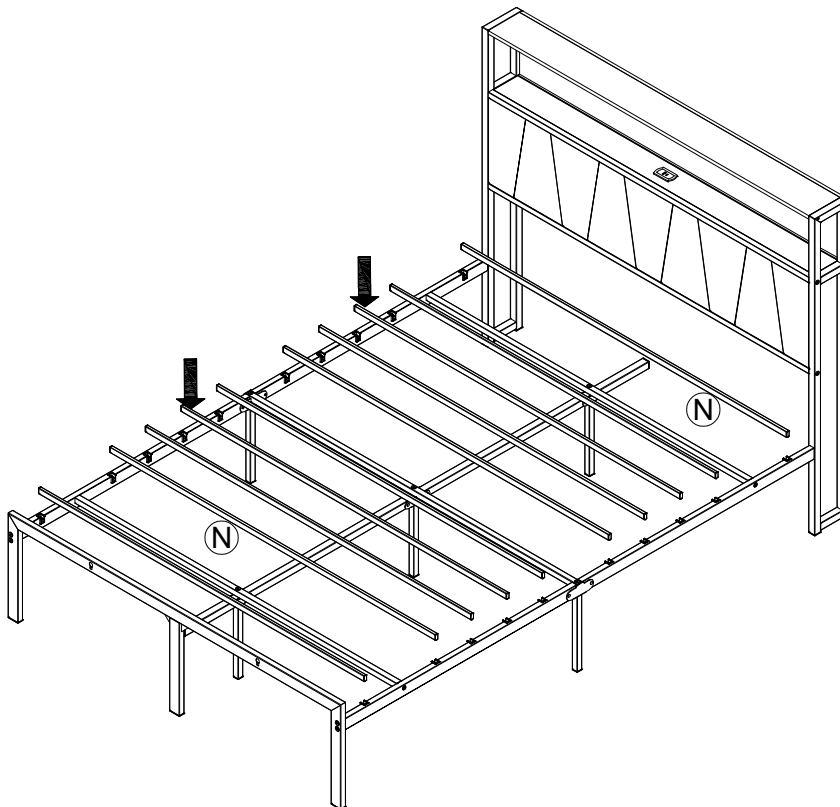


1		3PCS
----------	---	------

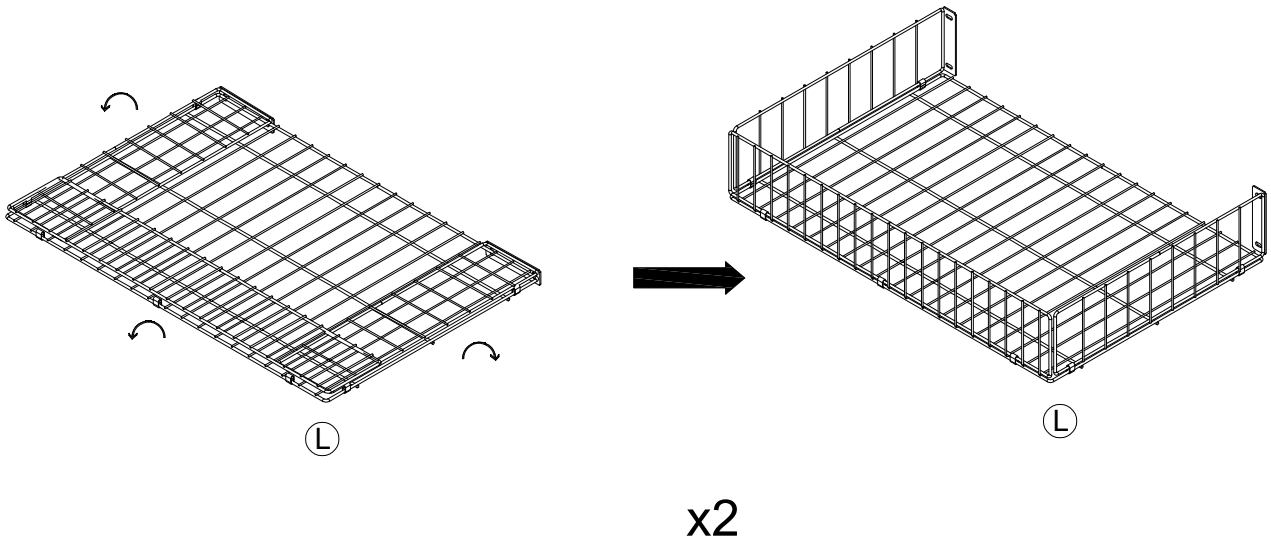
11



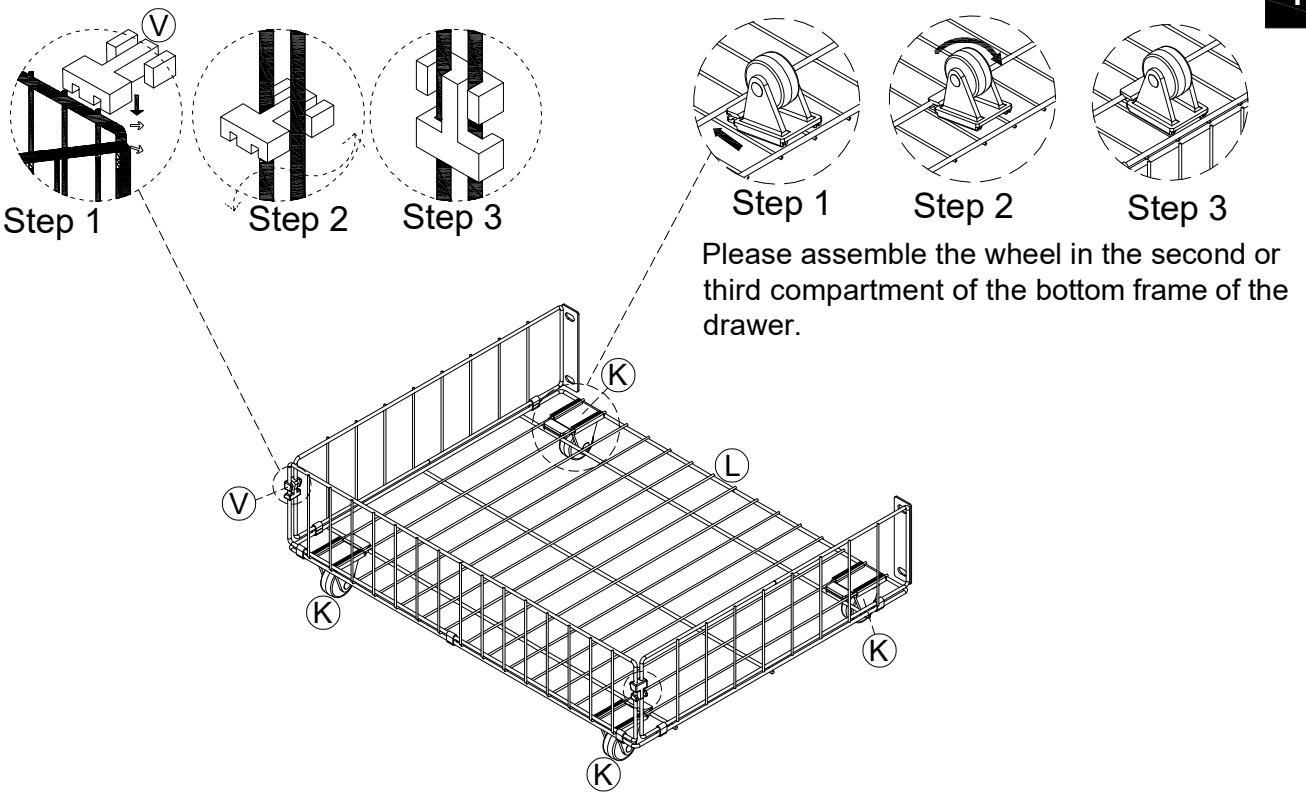
12



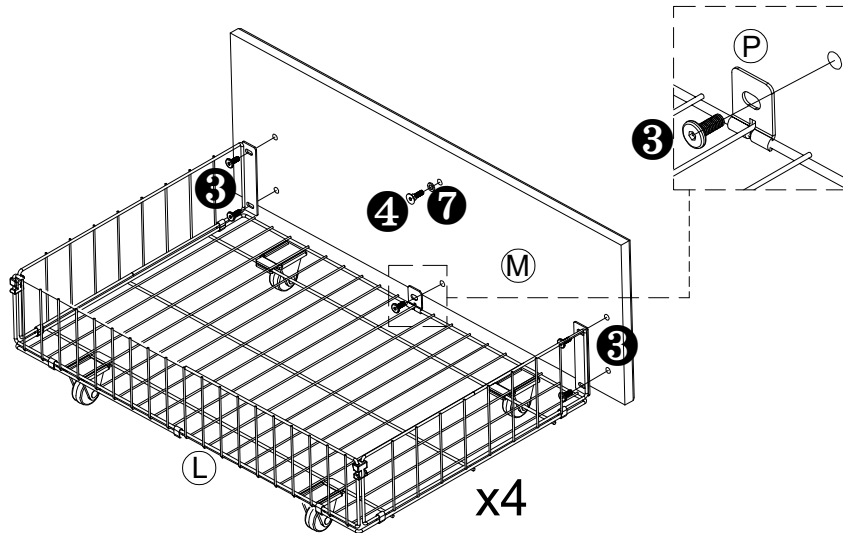
13



14

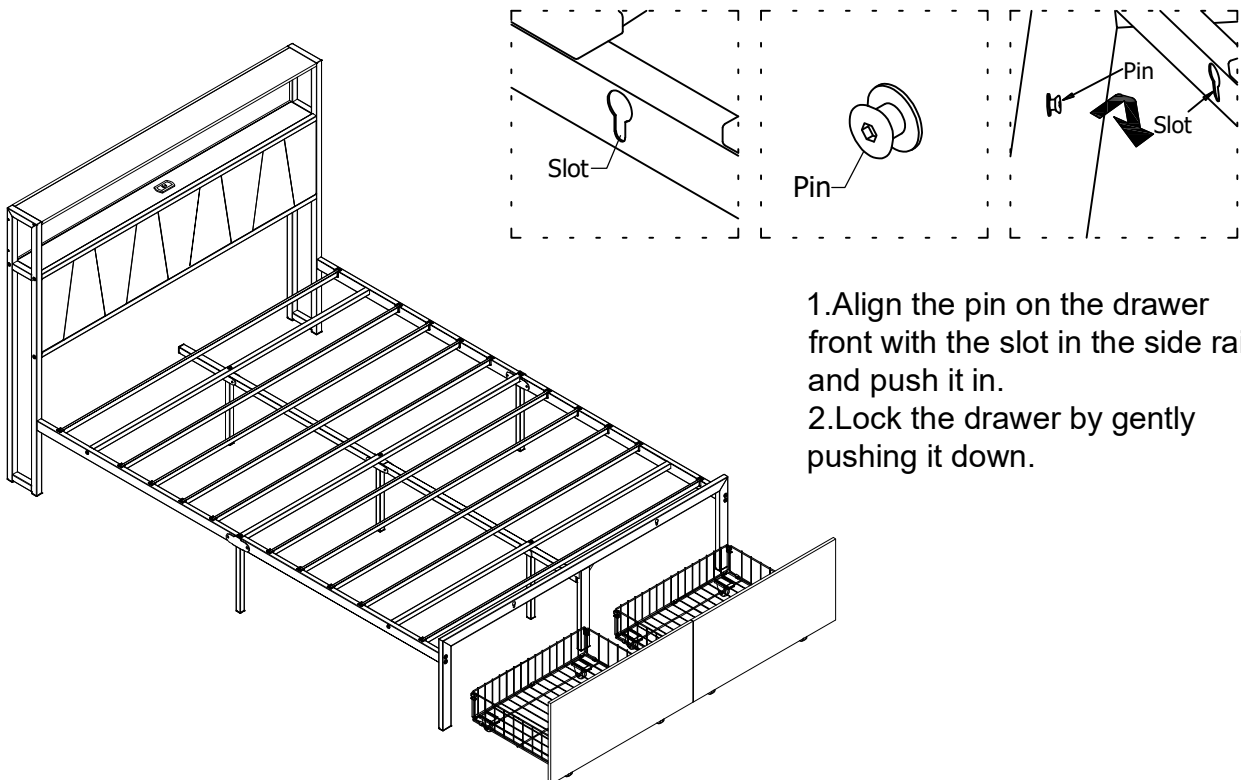


15



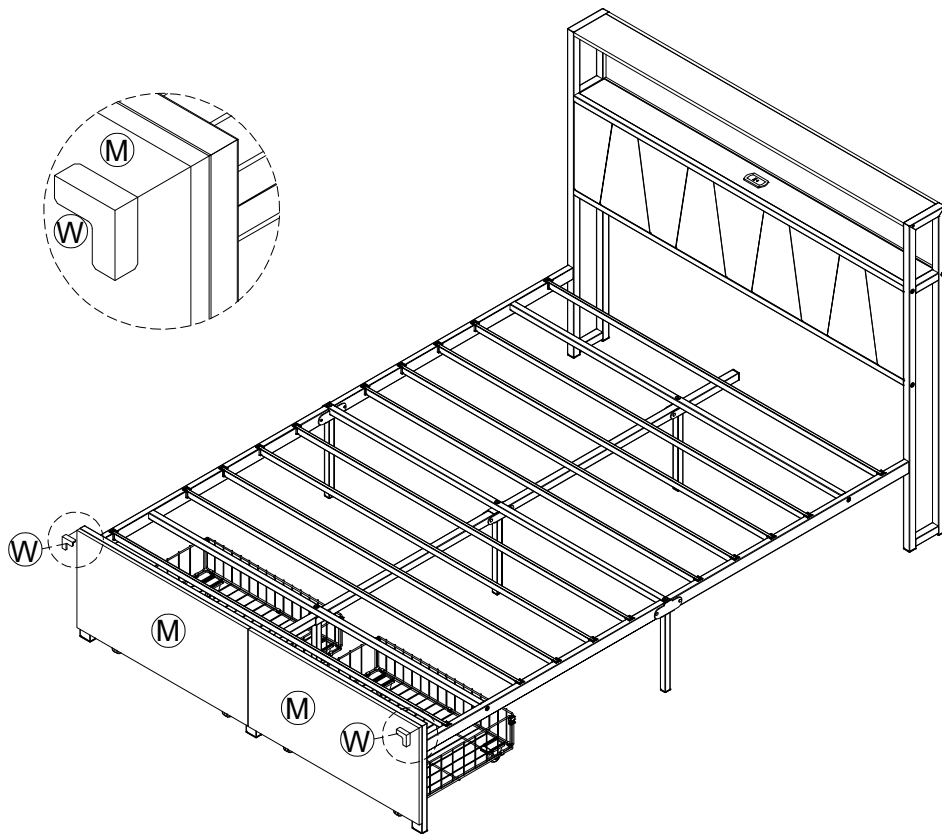
3	M6*10	10PCS
4	M6*20	2PCS
7	M6	2PCS

16

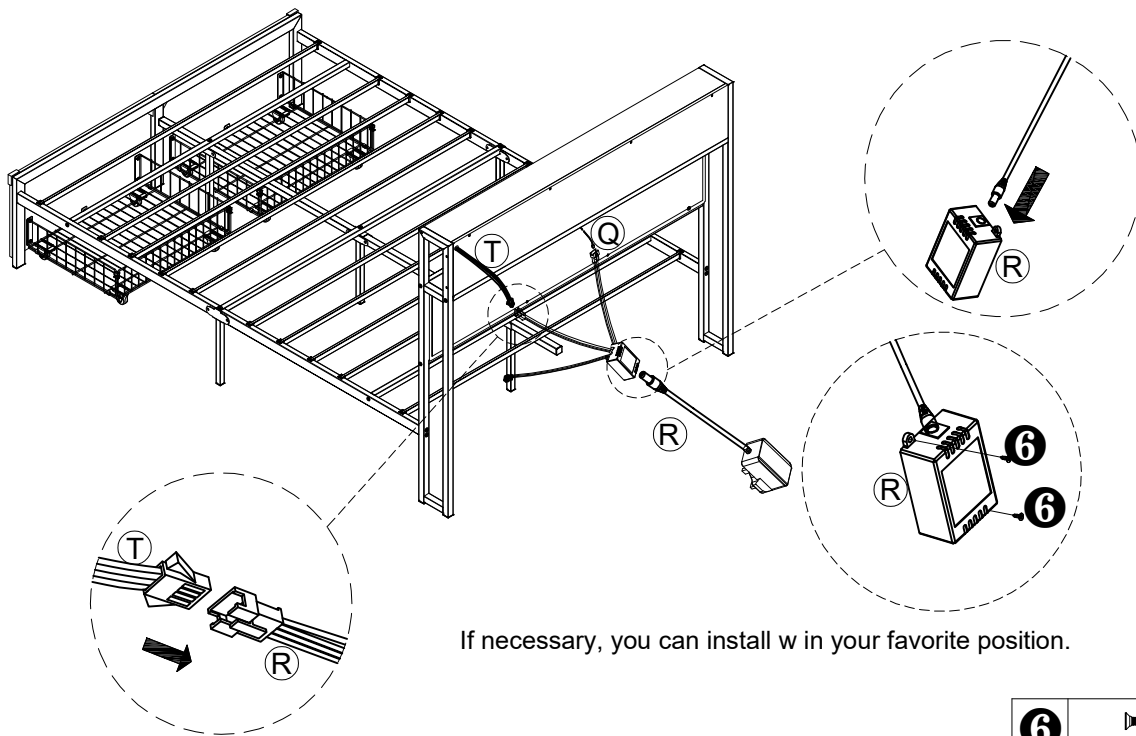


1. Align the pin on the drawer front with the slot in the side rail and push it in.
2. Lock the drawer by gently pushing it down.

17



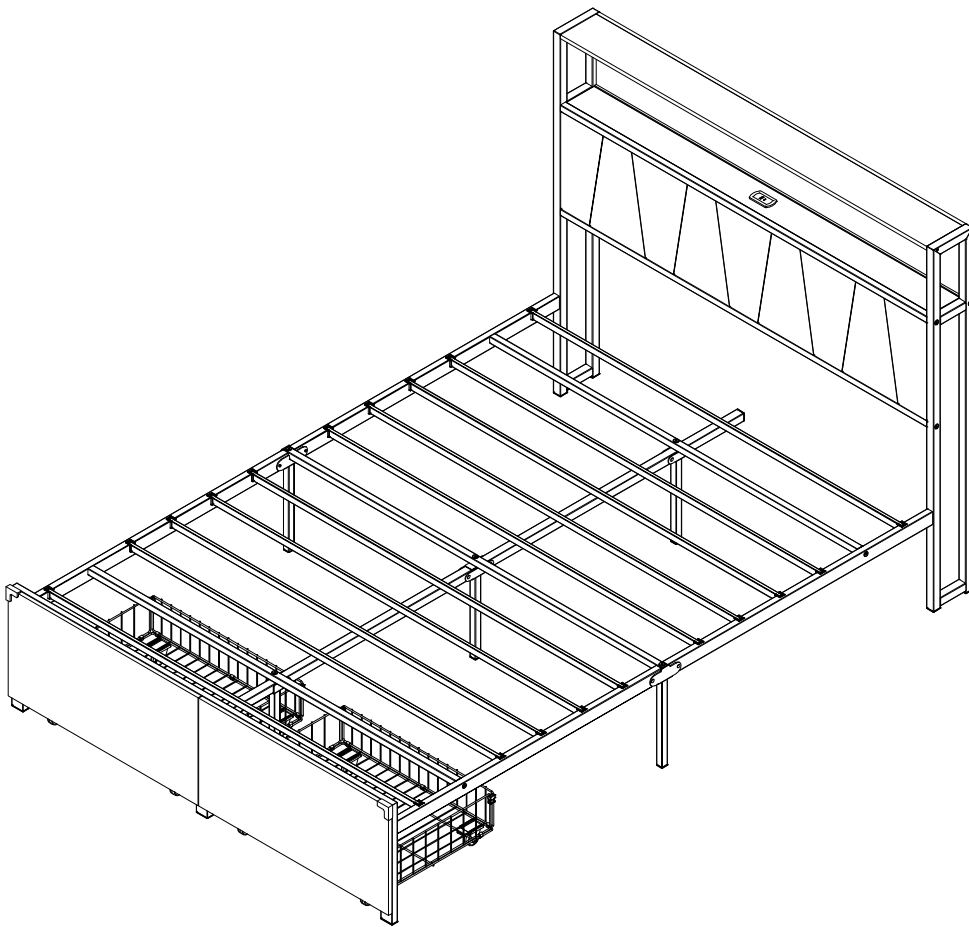
18



If necessary, you can install w in your favorite position.

6	 M3*10	2PCS
----------	---	------

Finish





立航检测
LH Testing

Shenzhen LH Testing Technology Co., Ltd.

201~203, building 22, Yongli Industrial Zone, Tangxi, guding community,
Xixiang street, Bao'an District, Shenzhen

Tel: +0755-23217660 Email: lihancert@163.com www.lh-cert.com

CERTIFICATE OF CONFORMITY

No.: LH-220403021859

Applicant : Shenzhen Yicaiju Optoelectronic Technology Co., Ltd.
Address : 901, Building 12, Zone B, Liantang Industrial City, Shangcun Community,
Gongming Street, Guangming District, Shenzhen
Manufacturer : Shenzhen Yicaiju Optoelectronic Technology Co., Ltd.
Address : 901, Building 12, Zone B, Liantang Industrial City, Shangcun Community,
Gongming Street, Guangming District, Shenzhen
Product : LED lights bring
Brand Name : N/A
Model(s) : 5050, 2835, 3528, 3030, 5730, 5630
Test Standard(s) : BS EN IEC 55015:2019/A11:2020;
BS EN 61547: 2009.

The EUT described above has been tested by us with the listed standards and found in compliance with the SI 2016 No. 1091. the UKCA markings as shown below can be affixed on the product after preparation of necessary technical documentation.

The Result applies to the tested sample above mentioned only and shall not imply an assessment of the whole production. It is only valid in connection with the test report number: LH-220403021859.

**UK
CA**



CERTIFICATE



No. 0P230801.XSWQU14

Certificate's Holder: Xiamen Seebest Wire & Cable Co., Ltd.
 Floor 1-3, 2 Workshop, No.372 Huanzhu Road, Jimei District,
 Xiamen City, Fujian 361021 China

Certification
 ECM Mark



Product: Flexible cables
 Model(s): (see the following annex)

Verification to: Standard:
 IEC 60227-5(ed.3):2011
 related to CE Directive(s):
 2014/35/EU (Low Voltage)

Remark:

The manufacturer has voluntarily decided to submit its documents concerning the above-mentioned product for verification. Ente Certificazione Macchine confirms that the documentation made available and immediately returned to it, as containing sensitive data, meets the essential requirements of the above-mentioned directive/standard. The verification activity carried out exclusively concerned the technical documentation and no verification was carried out on the product. This document cannot replace the EC Declaration of Conformity. This document was issued in accordance with regulation RGVOL01 published on the website of www.entecerma.it and concerning voluntary certifications with a non-notified procedure.

Issuance date: 01 August 2023

Expiry date: 31 July 2028

For online check:



Approver
 Ente Certificazione Macchine
 Legal Representative
 Luca Bedonni



Annex I



No. 0P230801.XSWQU14

Model(s):

60227 IEC 01 (BV) 450/750V 1.5-25;
 60227 IEC 02 (RV) 450/750V 1.5-6;
 60227 IEC 05 (BV) 300/500V 0.5-1;
 60227 IEC 06 (RV) 300/500V 0.5-1;
 BV 300/500V 0.75-1;
 BVR 450/750V 2.5-16;
 BVVB 300/500V 0.75-10(2-3core);
 60227 IEC 52 (RVV) 300/300V 0.5-0.75(2-3core);
 60227 IEC 53 (RVV) 300/500V 0.75-2.5(2-5core);
 RVV 300/500V 1.5-6(2core), 4(2-5core);
 RVS 300/300V 0.5-2.5;
 E(Z)-80/T, TX/PVC 300V 0.051-2.08;
 E(Z)-105/T, TX/PVC 600V 0.051-2.08;
 EB(Z)-80/T, TX/PVC 300V 0.051-2.08(2-12 core);
 EB(Z)-105/T, TX/PVC 600V 0.051-2.08(2-12 core);
 E(Z)-80/T, TX/PVC/PVC 300V 0.051-2.08(1-10 core);
 E(Z)-80/T, TX/PVC/P1/PVC 300V 0.051-2.08(1-10 core);
 E(Z)-80/T, TX/PVC/P(P3)/PVC 300V 0.051-2.08(1-10 core);
 E(Z)-105/T, TX/PVC/P(P3)/PVC 600V 0.051-2.08(1-10 core);
 AWM1007, 1015, 1061, 1185, 1569, 1571, 1617, 1672, 2464, 2517, 2586,
 2725, 2919, 2468, 2651, 2547, 2835, 20276, NISPT-1, NISPT-2, SPT-1, SPT-2,
 SPT-3, SJT, SVT, ST