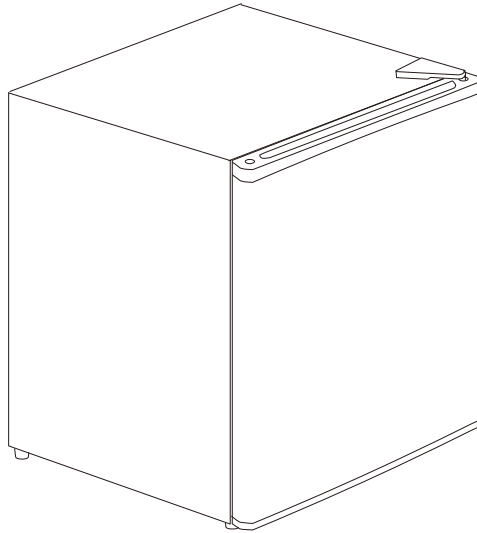




IN230200244V03\_UK

**800-155V70**



## REFRIGERATOR



**BEFORE USE, PLEASE READ AND FOLLOW ALL SAFETY RULES AND OPERATING INSTRUCTIONS.**

# INSTRUCTION MANUAL

## Contents

Important safety instructions -----	3
Structure illustration -----	6
Transport and handling -----	6
Installation -----	6
Reversing the door swing of your appliance-----	7
First use -----	8
Test -----	8
Temperature control -----	8
Helpful tips -----	9
Cleaning and care -----	9
Technical specifications -----	11
Trouble shooting -----	12



**THIS PRODUCT IS FOR HOUSEHOLD USE ONLY!**

Please read these instructions carefully before the first use of this product and save this manual for your future reference.

## IMPORTANT SAFETY INSTRUCTIONS

When using an electrical appliance, basic precautions should always be followed, including the following:

1. This appliance can be used by children aged from 8 years and above and persons with reduced physical, sensory or mental capabilities or lack of experience and knowledge if they have been given supervision or instruction concerning use of the appliance in a safe way and understand the hazards involved. Children shall not play with the appliance. Cleaning and user maintenance shall not be made by children without supervision.
2. Children aged between 3-8 years can not load and unload items from refrigerating appliances.
3. If the supply cord is damaged, it must be replaced by the manufacturer, its service agent or similarly qualified persons to avoid hazards.
4. **WARNING:** Keep ventilation openings, in the appliance enclosure or in the built-in structure, clear of obstruction.
5. **WARNING:** Do not use mechanical devices or other means to accelerate the defrosting process, other than those recommended by the manufacturer.
6. **WARNING:** Do not damage the refrigerant circuit.
7. **WARNING:** Do not use electrical appliances inside the food storage compartments of the appliance, unless they are of the type recommended by the manufacturer.
8. Do not store explosive substances such as aerosol cans with a flammable propellant in this appliance.



9. **WARNING:** Risk of fire / Flammable materials. Keep this appliance away from open flames and other heat sources when using, servicing and disposing. There are flammable materials located at the back of this appliance.
10. **WARNING:** When positioning the appliance, ensure the supply cord is not trapped or damaged.
11. **WARNING:** Do not locate multiple portable socket-outlets or portable power supplies at the rear of the appliance.

12. To avoid contamination of food, please respect the following instructions:
  - Opening the door for long periods can cause a significant increase of the temperature in the compartments of the appliance.
  - Clean regularly surfaces that can come in contact with food and accessible drainage systems.
  - Clean water tanks if they have not been used for 48 h; flush the water system connected to a water supply if water has not been drawn for 5 days.
  - Store raw meat and fish in suitable containers in the refrigerator, so that it is not in contact with or drip onto other food.
  - Two-star frozen-food compartments are suitable for storing pre-frozen food, storing or making ice-cream and making ice cubes.
  - One-, two- and three-star compartments are not suitable for the freezing of fresh food.
13. If the refrigerating appliance is left empty for long periods, switch off, defrost, clean, dry, and leave the door open to prevent mould developing within the appliance.
14. This refrigerating appliance is not intended to be used as a built-in appliance.
15. This refrigerating appliance is intended to be used at ambient temperatures ranging from 16 °C to 38 °C.
16. This freezer is intended to be used in household and similar applications such as:
  - staff kitchen areas in shops, offices and other working environments;
  - farm houses and by clients in hotels, motels and other residential type environments;
  - bed and breakfast type environments;
  - catering and similar non-retail applications.
17. This appliance is intended for household use - do not use outdoors.
18. When placing the appliance, ensure there is 50-75mm of space between the wall and refrigerator.
19. When not in use, before cleaning and when putting on or taking off parts, ensure the appliance is unplugged.
20. Ensure the appliance is firmly plugged in when using.
21. Insert the plug into a single grounded socket.
22. Never use the appliance near combustible and inflammable materials.
23. Repairs and replacements to the appliance must be done at an authorised service centre.
24. The motor is permanently lubricated and does not require oil.
25. Ensure the plug is accessible when positioning the appliance.
26. The refrigerant used in the appliance and insulation materials require special disposal procedures. Ensure that none of the pipes on the back of the unit are damaged prior to disposal. When disposing of an old unit, break off any old locks or latches and remove the doors as a safeguard.

27. To clean the appliance, only use mild detergents or glass-cleaning products. Never use harsh detergents or solvents.
28. It is not recommended to use this refrigerator with an extension cord or power board. Please ensure that the appliance is plugged directly into the electrical outlet.
29. Wait for hot food or drink to cool to room temperature before placing into the refrigerator.
30. Close the door immediately after placing items inside the refrigerator, ensuring the temperature does not rise dramatically.
31. Keep the appliance away from all heat sources and direct sunlight.
32. Place the appliance on a flat and solid surface - do not place on top of soft materials.
33. Do not place items on top of the appliance, and ensure the refrigerator does not get wet.
34. To avoid electric shock, never use the appliance with wet hands, while standing on wet surfaces or standing in water.
35. Never use outdoors or in wet conditions.
36. When unplugging the unit, do not pull on the cord - grasp the plug when removing from the socket.
37. Keep the cord away from heated surfaces.
38. Ensure the voltage of the power supply in your home matches the voltage on the rating label of the appliance.
39. Connect your refrigerator to an independent electrical socket and use a safe ground wire.
40. When frost is removed from the freezer or there is no electricity or the refrigerator is not being used, ensure the appliance is cleaned to stop unpleasant odours from forming.
41. Ensure the freezer is defrosted at least once a month - too much frost may damage the refrigeration.
42. If the electricity goes out, turn it back on within five minutes to ensure the compressor does not get damaged.
43. Ensure children are supervised, so they do not play with the appliance.
44. Do not use external timers or separate remote control systems to operate this appliance.
45. The appliance comes with a grounded plug. Please ensure the wall outlet is properly earthed.
46. Regularly check the supply cord for any signs of damage. If damages are found, do not use this appliance.
47. Disposal of the appliance: Old units have some residual value. An environmentally friendly method of disposal will ensure that valuable raw materials can be recovered and used again. Up to date information, concerning options of disposing of your old unit and packaging, can be obtained from your local council.

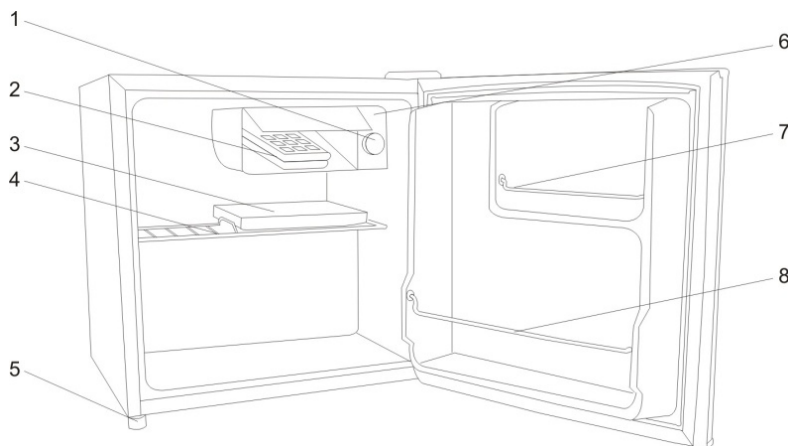
## CORRECT DISPOSAL OF THIS PRODUCT



Waste electrical products should not be disposed of with household waste. Please recycle where facilities exist. Check with your local authority or retailer for recycling advice.

**Disclaimer: We are not liable for any damages to this refrigerator or accidents, which derive from not conforming with the instructions contained in this manual.**

## STRUCTURE ILLUSTRATION



1. Thermostat control knob
2. Ice cube tray
3. Water drip tray
4. Removable shelf

5. Adjustable leg
6. Chiller compartment door
7. Small rack
8. Bottom rack

## TRANSPORT AND HANDLING

When moving the appliance, hold the base and lift the refrigerator carefully at less than 45 degrees. Never hold the handle for support. Never place upside down or horizontally.

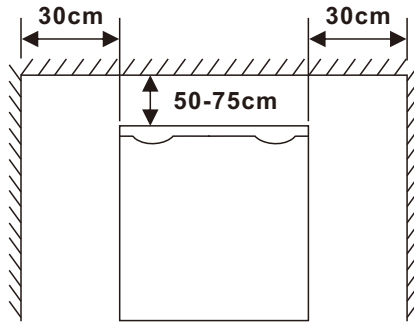
## INSTALLATION

For stability, the appliance must be placed on a flat and solid surface. When setting up this appliance, keep it away from heat sources and direct sunlight.

Place in a dry and well-ventilated location.

To improve the cooling efficiency and save energy, it is important to maintain good ventilation around the appliance. To do this, ensure there is sufficient space around the refrigerator.

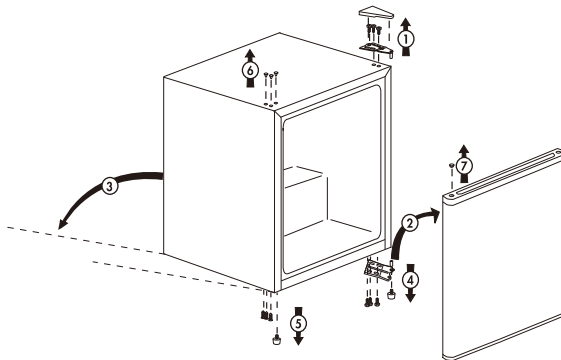
Place the appliance near a wall, ensuring the distance is between 50-75mm.

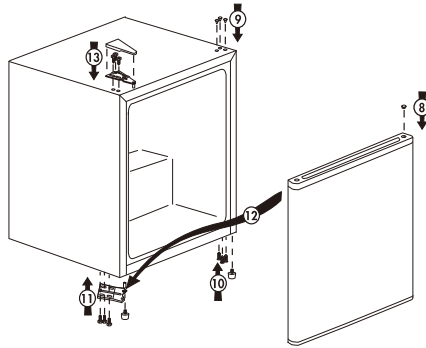


## Reversing the door swing of your appliance

This appliance has the capability of the door opening from either the left or right side. The unit is delivered to you with the door opening from the left side.

Following refrigerator pictures are for your reference only.





## FIRST USE

Before use, remove all packaging, including the bottom cushion, foam pads and rubber belts from the refrigerator.

Adjust the feet, then wipe the inside and outside of the refrigerator with a soft cloth.

Once set up, wait 2-6 hours before using the appliance - do not start immediately.

To prevent damaging the power cord, ensure it is not covered by the refrigerator or other objects. Before switching on the refrigerator, ensure its voltage matches the power supply.

When first installed, allow the appliance to drop to a normal operating temperature before filling with fresh or frozen goods - this could take 2-3 hours.

## TEST

Clean the refrigerator with a soft, damp cloth or with a neutral detergent and clean water, then wipe dry.

**Notes:** Electric parts can only be wiped with a dry cloth - do not use water or other liquids.

Turn the thermostat knob to '3' and turn on the electricity. The compressor inside the refrigerator will begin to work.

Close the door and wait 30 minutes - if the temperature in the freezer compartment decreases quickly, it shows the refrigerator system works properly.

When the refrigerator is used for long periods, the controller will automatically set the temperature (this will only happen if the door is not being opened frequently).

## TEMPERATURE CONTROL

Adjust the refrigerator temperature by turning the knob on the thermostat. The closer it is to '5', the lower the temperature will be. A medium setting is most suitable for general operation.

The temperature will vary, depending on the quantity of foods stored and how often the door is opened. To maintain efficient cooling and save energy, it is not recommended to store lots of items, and keep the door shut when possible.

## HELPFUL TIPS

The following tips will help save energy.

- Do not keep the door open for long periods.
- Keep the appliance away from all heat sources (direct sunlight, ovens, cookers etc).
- Do not set the temperature colder than necessary.
- Do not store warm food or evaporating liquid inside the appliance.
- Place the appliance in a well ventilated and humidity-free room. Please refer to the 'Installing your new appliance' chapter.

### Tips for fresh food refrigeration

- Do not place hot food directly into the refrigerator or freezer - the internal temperature will increase, which means the compressor has to work harder and consume more energy.
- Always cover or wrap your food, especially if it has a strong flavor.
- Properly place food inside the refrigerator, so air can circulate freely around it.

### Switching off your appliance

If the appliance needs to be switched off for an extended period, the following steps should be taken to prevent mould forming within the appliance:

1. Remove all food.
2. Unplug the appliance.
3. Clean and dry the inside thoroughly.
4. Ensure that all the doors are wedged open slightly to allow air to circulate.

## CLEANING AND CARE

For hygienic reasons, the appliance (including the inside and outside) should be cleaned at least every two months.

**WARNING:** Before cleaning, ensure the appliance is switched off and unplugged from the mains.

**Exterior cleaning**

- To keep your appliance looking pristine, ensure it is cleaned regularly.
- Wipe the digital and display panel with a clean, soft cloth.
- Spray water onto the cloth instead of spraying directly onto the appliance surface.
- Clean the doors, handles and cabinet surfaces with a mild detergent, then wipe dry with a soft cloth.

**Caution!**

- Do not use sharp objects as they are likely to scratch the surface.
- When cleaning, do not use thinner, car detergent, clorox, ethereal oil, abrasive cleansers or organic solvents, such as Benzene. This could damage the surface.

**Interior cleaning**

- The interior should be cleaned regularly. Wipe the inside of the fridge with a weak solution of bicarbonate soda, then rinse water using a sponge or cloth. Wipe completely dry before placing the shelves and baskets back. Ensure all surfaces and removable parts are thoroughly dry.

**Caution!**

- Do not use sharp objects to remove frost from the freezer. Before plugging in and switching on the appliance, ensure the inside is completely dry.

**Door seals cleaning**

Ensure the door seals are kept clean. Sticky food and drinks can cause the seal to stick to the cabinet, which can tear when opening the door. Wash the seal with a mild detergent and warm water. Rinse and dry thoroughly after cleaning.

**Caution!**

- Only after the door seals are completely dry should the appliance be turned on.

## TECHNICAL SPECIFICATIONS

Model	800-155V70(BC-50)
Rated Voltage	220-240V~
Rated Frequency	50Hz
Rated cooling current	0.7A
Safety Protection Class	I
Climate Class	N/ST
Refrigerant/amount	R600a/16g
Blowing gas	C <sub>5</sub> H <sub>10</sub>
Total Volume	46L
Energy Consumption of E32	0.359kWh/24h
Annual Energy Consumption	100 kWh/a
Net Weight	12.5 kg

### Climate class:

- Extended temperature(SN): This refrigerator is intended to be used at an ambient temperature, ranging from 10-32 °C.
- Temperature (N): This refrigerator is intended to be used at an ambient temperature, ranging from 16-32 °C.
- Subtropical (ST): This refrigerator is intended to be used at an ambient temperature, ranging from 16-38 °C.
- Tropical (T): This refrigerator is intended to be used at an ambient temperature, ranging from 16-43 °C.

**Note:** For more information, please scan the QR code on the energy label.

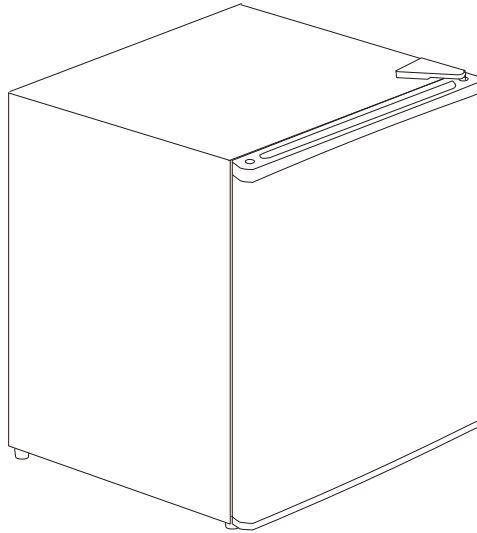
## TROUBLE SHOOTING

Some faults are easily fixed - before contacting customer service, see if there is a solution in the table below.

Symptom	Cause	Solution
The appliance does not work.	There is no power supply.	Ensure it is plugged in properly. The circuit-breaker has tripped or the fuse is damaged. Check if the outlet is powered by connecting another electrical device.
	The fuse doesn't work.	Replace the fuse.
The appliance makes a lot of noise.	The appliance is too close to the wall, it is not stable or items inside the refrigerator are not stored correctly.	Adjust the feet on the refrigerator, ensuring it is properly balanced and stable. Make sure it is not too close to the wall, and ensure all items are placed correctly inside.
The appliance does not cool enough.	The door has been opened frequently or has been left open for long periods.	Ensure the door is closed and is not being opened frequently.
	The refrigerator is too close to the wall.	Ensure there is enough space between the refrigerator and wall.
	The refrigerator is too full.	Remove items from the appliance.
	The temperature is not adjusted properly.	Turn the temperature to '3' or more.
Bad odours are coming from the appliance.	Out-of-date food still in the refrigerator.	Throw away any food that has passed the expiration date.
	The inside of the refrigerator needs cleaning.	Clean the inside of the refrigerator.

### The following symptoms are not faults:

- The cooling liquid can be heard circulating through the pipes - this is normal.
- The compressor and condenser might be warm during periods of strong heat.
- The door frame is warm, which means the condenser is working to release the humidity.



## RÉFRIGÉRATEUR



**AVANT UTILISATION, VEUILLEZ LIRE ET RESPECTER TOUTES LES  
CONSIGNES DE SÉCURITÉ ET INSTRUCTIONS D'UTILISATION.**

## Sommaire

Instructions de sécurité importantes .....	15
Illustration de la structure .....	19
Transport et manutention .....	19
Installation .....	19
Inversion du sens d'ouverture de la porte de votre appareil.....	20
Première utilisation .....	21
Test .....	21
Réglage de la température.....	21
Conseils utiles.....	22
Nettoyage et entretien.....	22
Spécifications techniques.....	24
Dépannage.....	25



**CE PRODUIT EST DESTINÉ À UN  
USAGE DOMESTIQUE UNIQUEMENT !**

Veillez lire attentivement ces instructions avant la première utilisation de ce produit et conserver ce manuel pour référence ultérieure.

## INSTRUCTIONS DE SÉCURITÉ IMPORTANTES

Lors de l'utilisation d'un appareil électrique, il convient de toujours respecter les précautions élémentaires suivantes :

1. Cet appareil peut être utilisé par des enfants à partir de 8 ans et par des personnes dont les capacités physiques, sensorielles ou mentales sont réduites ou qui manquent d'expérience et de connaissances, à condition qu'ils soient supervisés ou qu'ils aient reçu des instructions concernant l'utilisation de l'appareil en toute sécurité et en comprennent les dangers. Les enfants ne devront pas jouer avec l'appareil. Le nettoyage et l'entretien ne doivent pas être effectués par des enfants sans surveillance.
2. Les enfants âgés de 3 à 8 ans ne sont pas peuvent charger et décharger les appareils de réfrigération.
3. Si le câble d'alimentation est endommagé, il doit être remplacé par le fabricant, son service après vente ou des personnes de qualification similaire afin d'éviter un danger.
4. **AVERTISSEMENT**: Maintenir dégagées les ouvertures de ventilation dans l'enceinte de l'appareil ou dans la structure d'encastrement.
5. **AVERTISSEMENT**: Ne pas utiliser de dispositifs mécaniques ou autres moyens pour accélérer le processus de dégivrage autres que ceux recommandés par le fabricant.
6. **AVERTISSEMENT**: Ne pas endommager le circuit de fluide frigorigène.
7. **AVERTISSEMENT**: Ne pas utiliser d'appareils électriques à l'intérieur des compartiments de stockage des denrées, à moins qu'ils ne soient du type recommandé par le fabricant.
8. Ne pas stocker dans cet appareil des substances explosives telles que des aérosols contenant des gaz propulseurs inflammables.



9. **Danger; Risque d'incendie/Matières inflammables.**

Tenez cet appareil à l'écart des flammes nues et autres sources de chaleur lors de son utilisation, de son entretien et de sa mise au rebut. Des matériaux inflammables se trouvent à l'arrière de cet appareil.

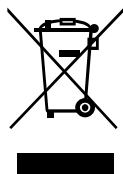
10. **AVERTISSEMENT**: Lors du positionnement de l'appareil, s'assurer que le câble d'alimentation n'est pas coincé ni endommagé.

11. **AVERTISSEMENT:** Ne pas placer de socles mobiles de prises multiples ni de blocs d'alimentation portables à l'arrière de l'appareil.
12. Pour éviter la contamination des aliments, veuillez respecter les instructions suivantes:
  - L'ouverture prolongée de la porte peut entraîner une augmentation significative de la température dans les compartiments de l'appareil.
  - Nettoyez régulièrement les surfaces pouvant entrer en contact avec des aliments et des systèmes de drainage accessibles.
  - Nettoyer les réservoirs d'eau s'ils n'ont pas été utilisés pendant 48 h; rincer le système d'alimentation en eau raccordé à une source d'eau si l'eau n'a pas été aspirée pendant 5 jours.
  - Rangez la viande et le poisson crus dans des récipients appropriés au réfrigérateur, de manière à ce qu'ils ne soient pas en contact avec d'autres aliments ni ne s'égouttent dessus.
  - Les compartiments pour produits congelés deux étoiles sont adaptés pour stocker des produits pré congelés, stocker ou préparer des glaces et des glaçons.
  - Les compartiments à une, deux et trois étoiles ne conviennent pas pour la congélation d'aliments frais.
13. Si l'appareil de réfrigération reste vide pendant de longues périodes, éteignez, dégivrez, nettoyez, séchez et laissez la porte ouverte pour éviter le développement de moisissure dans l'appareil.
14. Cet appareil réfrigérant n'est pas conçu pour être utilisé comme appareil encastré.
15. Cet appareil réfrigérant est prévu pour être utilisé aux températures ambiantes de 16 °C à 38 °C.
16. Ce congélateur est destiné à être utilisé pour des applications domestiques et similaires telles que :
  - les zones de cuisine du personnel dans les magasins, les bureaux et autres environnements de travail ;
  - les fermes et les clients d'hôtels, de motels et d'autres installations de type résidentiel;
  - les chambres d'hôtes;
  - la restauration et les applications non commerciales similaires.
17. Cet appareil est destiné à un usage domestique - ne l'utilisez pas à l'extérieur.
18. Lorsque vous placez l'appareil, veuillez à laisser un espace de 50 à 75 mm entre le mur et le réfrigérateur.
19. Lorsque vous ne l'utilisez pas, avant de le nettoyer et lorsque vous installez ou retirez des pièces, veuillez à débrancher l'appareil.
20. Assurez-vous que l'appareil est correctement branché lors de son utilisation.
21. Branchez la fiche dans une prise unique avec mise à la terre.
22. N'utilisez jamais l'appareil à proximité de matériaux combustibles et inflammables.

23. Les réparations et remplacements de l'appareil doivent être effectués dans un centre de service agréé.
24. Le moteur est lubrifié en permanence et ne nécessite pas d'huile.
25. Assurez-vous que la fiche est accessible lorsque vous positionnez l'appareil.
26. Le réfrigérant utilisé dans l'appareil et les matériaux d'isolation nécessitent des procédures d'élimination spéciales. Assurez-vous qu'aucun des tuyaux à l'arrière de l'appareil n'est endommagé avant de le mettre au rebut. Lorsque vous mettez au rebut un ancien appareil, cassez les anciens verrous ou loquets et retirez les portes par mesure de sécurité.
27. Pour nettoyer l'appareil, utilisez uniquement des détergents doux ou des produits de nettoyage pour vitres. N'utilisez jamais de détergents agressifs ou de solvants.
28. Il n'est pas recommandé d'utiliser ce réfrigérateur avec une rallonge ou une multiprise. Veuillez vous assurer que l'appareil est branché directement sur la prise électrique.
29. Attendez que les aliments ou boissons chauds refroidissent à température ambiante avant de les placer dans le réfrigérateur.
30. Fermez la porte immédiatement après avoir placé des articles dans le réfrigérateur, afin d'éviter une augmentation brutale de la température.
31. Éloignez l'appareil de toute source de chaleur et de la lumière directe du soleil.
32. Placez l'appareil sur une surface plane et solide - ne le placez pas sur des matériaux mous.
33. Ne placez pas d'objets sur l'appareil et veillez à ce que le réfrigérateur ne soit pas mouillé.
34. Pour éviter tout risque d'électrocution, n'utilisez jamais l'appareil avec les mains mouillées, en vous tenant debout sur une surface mouillée ou dans l'eau.
35. Ne l'utilisez jamais à l'extérieur ou dans des conditions humides.
36. Lorsque vous débranchez l'appareil, ne tirez pas sur le cordon, mais saisissez la fiche pour la retirer de la prise.
37. Éloignez le cordon des surfaces chaudes.
38. Assurez-vous que la tension de l'alimentation électrique de votre domicile correspond à la tension indiquée sur l'étiquette de l'appareil.
39. Branchez votre réfrigérateur à une prise électrique indépendante et utilisez un fil de terre sécurisé.
40. Lorsque le givre est retiré du congélateur, qu'il n'y a pas d'électricité ou que le réfrigérateur n'est pas utilisé, veillez à nettoyer l'appareil afin d'éviter la formation d'odeurs désagréables.
41. Veillez à dégivrer le congélateur au moins une fois par mois. Une quantité excessive de givre peut endommager le système de réfrigération.
42. En cas de coupure de courant, rétablissez l'alimentation électrique dans les cinq minutes afin d'éviter d'endommager le compresseur.

43. Veillez à ce que les enfants soient surveillés afin qu'ils ne jouent pas avec l'appareil.
44. N'utilisez pas de minuteries externes ou de systèmes de télécommande séparés pour faire fonctionner cet appareil.
45. L'appareil est équipé d'une fiche avec mise à la terre. Veuillez vous assurer que la prise murale est correctement mise à la terre.
46. Vérifiez régulièrement que le cordon d'alimentation ne présente aucun signe de détérioration. Si vous constatez des dommages, n'utilisez pas cet appareil.
47. Mise au rebut de l'appareil : les anciens appareils ont une certaine valeur résiduelle. Une méthode de mise au rebut respectueuse de l'environnement permettra de récupérer et de réutiliser des matières premières précieuses. Vous pouvez obtenir des informations à jour sur les options de mise au rebut de votre ancien appareil et de son emballage auprès de votre municipalité.

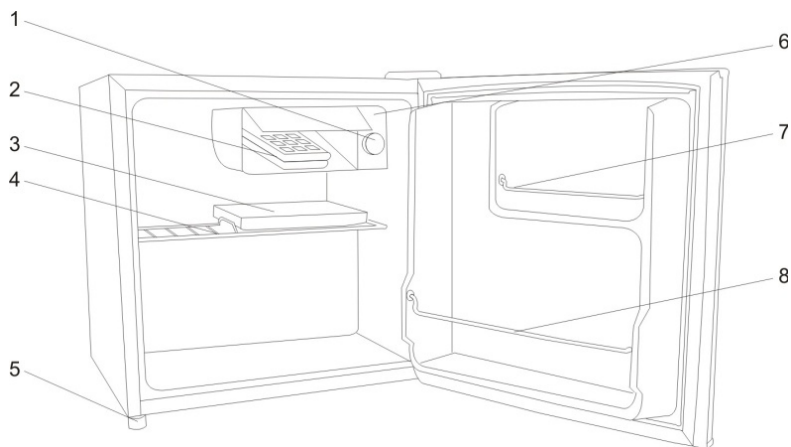
#### ÉLIMINATION CORRECTE DE CE PRODUIT



Les déchets électriques ne doivent pas être jetés avec les ordures ménagères. Veuillez les recycler dans les installations prévues à cet effet. Renseignez-vous auprès de votre municipalité ou de votre revendeur pour obtenir des conseils sur le recyclage.

**Avertissement : Nous ne sommes pas responsables des dommages causés à ce réfrigérateur ou des accidents résultant du non-respect des instructions contenues dans ce manuel.**

## ILLUSTRATION DE LA STRUCTURE



1. Bouton de commande du thermostat

2. Bac à glaçons

3. Bac d'égouttage

4. Étagère amovible

5. Pied réglable

6. Porte du compartiment réfrigérateur

7. Petite grille

8. Grille inférieure

## TRANSPORT ET MANUTENTION

Pour déplacer l'appareil, saisissez la base et soulevez le réfrigérateur avec précaution à moins de 45 degrés. Ne vous appuyez jamais sur la poignée. Ne placez jamais l'appareil à l'envers ou à l'horizontale.

## INSTALLATION

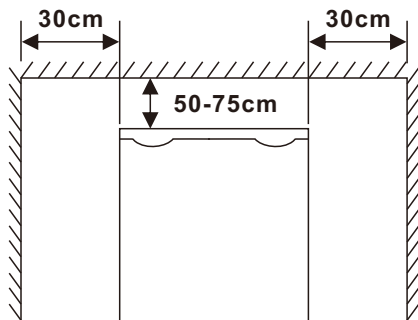
Pour garantir sa stabilité, l'appareil doit être placé sur une surface plane et solide.

Lors de l'installation de cet appareil, éloignez-le des sources de chaleur et de la lumière directe du soleil.

Placez-le dans un endroit sec et bien ventilé.

Pour améliorer l'efficacité du refroidissement et économiser de l'énergie, il est important de maintenir une bonne ventilation autour de l'appareil. Pour ce faire, assurez-vous qu'il y a suffisamment d'espace autour du réfrigérateur.

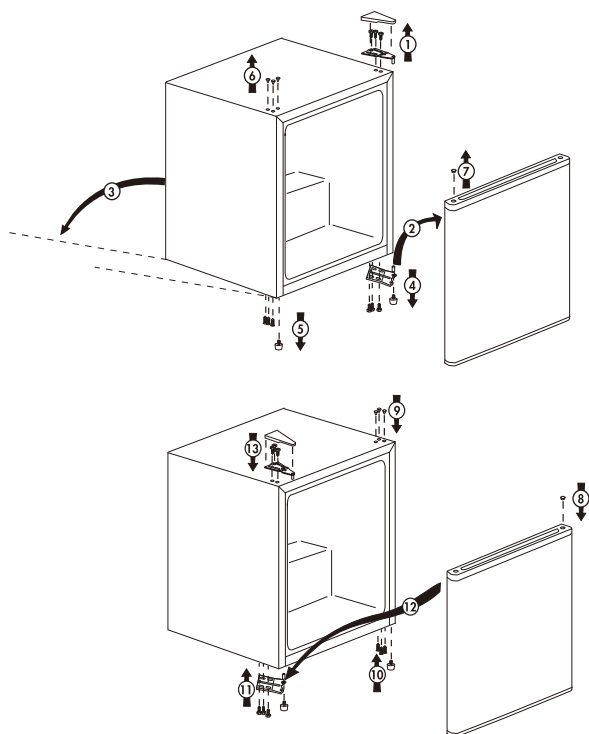
Placez l'appareil près d'un mur, en veillant à respecter une distance comprise entre 50 et 75 mm.



### Inversion du sens d'ouverture de la porte de votre appareil

Cet appareil peut s'ouvrir par la gauche ou par la droite. Il vous est livré avec la porte s'ouvrant par la gauche.

Les photos du réfrigérateur suivantes sont fournies à titre indicatif uniquement.



## PREMIÈRE UTILISATION

Avant utilisation, retirez tous les emballages, y compris le coussin inférieur, les coussinets en mousse et les sangles en caoutchouc du réfrigérateur.

Régalez les pieds, puis essuyez l'intérieur et l'extérieur du réfrigérateur avec un chiffon doux.

Une fois installé, attendez 2 à 6 heures avant d'utiliser l'appareil - ne le mettez pas en marche immédiatement.

Pour éviter d'endommager le cordon d'alimentation, veillez à ce qu'il ne soit pas recouvert par le réfrigérateur ou d'autres objets. Avant de mettre le réfrigérateur en marche, assurez-vous que sa tension correspond à celle de l'alimentation électrique.

Lors de la première installation, laissez l'appareil atteindre sa température de fonctionnement normale avant de le remplir de produits frais ou congelés. Cela peut prendre 2 à 3 heures.

## TEST

Nettoyez le réfrigérateur à l'aide d'un chiffon doux et humide ou d'un détergent neutre et d'eau claire, puis essuyez-le.

**Remarques** : les pièces électriques ne peuvent être nettoyées qu'à l'aide d'un chiffon sec. N'utilisez pas d'eau ou d'autres liquides.

Tournez le bouton du thermostat sur « 3 » et mettez l'appareil sous tension. Le compresseur à l'intérieur du réfrigérateur se mettra en marche.

Fermez la porte et attendez 30 minutes. Si la température dans le compartiment congélateur baisse rapidement, cela signifie que le système de réfrigération fonctionne correctement.

Lorsque le réfrigérateur est utilisé pendant de longues périodes, le régulateur règle automatiquement la température (cela ne se produit que si la porte n'est pas ouverte fréquemment).

## RÉGLAGE DE LA TEMPÉRATURE

Régalez la température du réfrigérateur en tournant le bouton du thermostat. Plus il est proche de « 5 », plus la température sera basse. Un réglage moyen est le plus adapté pour un fonctionnement normal.

La température variera en fonction de la quantité d'aliments stockés et de la fréquence d'ouverture de la porte. Pour maintenir un refroidissement efficace et économiser de l'énergie, il n'est pas recommandé de stocker beaucoup d'articles et de garder la porte fermée autant que possible.

## CONSEILS UTILES

Les conseils suivants vous aideront à économiser de l'énergie.

- Ne laissez pas la porte ouverte pendant de longues périodes.
- Éloignez l'appareil de toute source de chaleur (lumière directe du soleil, fours, cuisinières, etc.).
- Ne réglez pas la température plus basse que nécessaire.
- Ne conservez pas d'aliments chauds ou de liquides en évaporation à l'intérieur de l'appareil.
- Placez l'appareil dans une pièce bien ventilée et sans humidité. Veuillez vous reporter au chapitre « Installation de votre nouvel appareil ».

### Conseils pour la réfrigération des aliments frais

- Ne placez pas d'aliments chauds directement dans le réfrigérateur ou le congélateur, car cela augmenterait la température interne, ce qui obligerait le compresseur à fonctionner plus fort et à consommer plus d'énergie.
- Couvrez ou emballez toujours vos aliments, en particulier s'ils ont une odeur forte.
- Placez correctement les aliments à l'intérieur du réfrigérateur afin que l'air puisse circuler librement autour d'eux.

### Mise hors tension de votre appareil

Si l'appareil doit être mis hors tension pendant une période prolongée, les mesures suivantes doivent être prises pour éviter la formation de moisissures à l'intérieur de l'appareil :

1. Retirez tous les aliments.
2. Débranchez l'appareil.
3. Nettoyez et séchez soigneusement l'intérieur.
4. Assurez-vous que toutes les portes sont légèrement entrouvertes pour permettre à l'air de circuler.

## NETTOYAGE ET ENTRETIEN

Pour des raisons d'hygiène, l'appareil (y compris l'intérieur et l'extérieur) doit être nettoyé au moins tous les deux mois.

**AVERTISSEMENT** : avant de procéder au nettoyage, assurez-vous que l'appareil est éteint et débranché du secteur.

### Nettoyage extérieur

- Pour que votre appareil reste impeccable, veillez à le nettoyer régulièrement.
- Essuyez le panneau numérique et l'écran avec un chiffon propre et doux.
- Vaporisez de l'eau sur le chiffon plutôt que directement sur la surface de l'appareil.

- Nettoyez les portes, les poignées et les surfaces du meuble avec un détergent doux, puis essuyez-les avec un chiffon doux.

**Attention !**

- N'utilisez pas d'objets pointus, car ils risquent de rayer la surface.
- Lors du nettoyage, n'utilisez pas de diluant, de détergent pour voiture, de javel, d'huile essentielle, de nettoyeurs abrasifs ou de solvants organiques, tels que le benzène. Cela pourrait endommager la surface.

**Nettoyage intérieur**

- L'intérieur doit être nettoyé régulièrement. Essuyez l'intérieur du réfrigérateur avec une solution faible de bicarbonate de soude, puis rincez à l'eau à l'aide d'une éponge ou d'un chiffon. Essuyez complètement avant de remettre les étagères et les paniers en place. Assurez-vous que toutes les surfaces et les pièces amovibles sont bien sèches.

**Attention !**

- N'utilisez pas d'objets pointus pour enlever le givre du congélateur. Avant de brancher et d'allumer l'appareil, assurez-vous que l'intérieur est complètement sec.

**Nettoyage des joints de porte**

Veillez à ce que les joints de porte restent propres. Les aliments et boissons collants peuvent faire adhérer le joint à l'armoire, ce qui peut le déchirer lors de l'ouverture de la porte. Lavez le joint avec un détergent doux et de l'eau chaude. Rincez et séchez soigneusement après le nettoyage.

**Attention !**

- Ne mettez l'appareil en marche qu'une fois les joints de porte complètement secs.

## SPÉCIFICATIONS TECHNIQUES

Modèle	800-155V90(BC-50)
Tension nominale	220-240V~
Fréquence nominale	50Hz
Courant de refroidissement nominal	0.7A
Classe de protection de sécurité	I
Classe climatique	N/ST
Réfrigérant/quantité	R600a/16g
Gaz de soufflage	C <sub>5</sub> H <sub>10</sub>
Volume total	46L
Consommation d'énergie de E32	0.359kWh/24h
Consommation d'énergie annuelle	100 kWh/a
Poids net	12.5 kg

**Classe climatique :**

- Température étendue (SN) : ce réfrigérateur est destiné à être utilisé à une température ambiante comprise entre 10 et 32 °C.
- Température (N) : ce réfrigérateur est destiné à être utilisé à une température ambiante comprise entre 16 et 32 °C.
- Subtropicale (ST) : ce réfrigérateur est destiné à être utilisé à une température ambiante comprise entre 16 et 38 °C.
- Tropical (T) : ce réfrigérateur est destiné à être utilisé à une température ambiante comprise entre 16 et 43 °C.

**Remarque :** pour plus d'informations, veuillez scanner le code QR figurant sur l'étiquette énergétique.

## DÉPANNAGE

Certaines pannes sont faciles à réparer. Avant de contacter le service clientèle, consultez le tableau ci-dessous pour voir s'il existe une solution.

Symptôme	Cause	Solution
L'appareil ne fonctionne pas.	Il n'y a pas d'alimentation électrique.	Assurez-vous qu'il est correctement branché. Le disjoncteur s'est déclenché ou le fusible est endommagé. Vérifiez si la prise est alimentée en branchant un autre appareil électrique.
	Le fusible ne fonctionne pas.	Remplacez le fusible.
L'appareil fait beaucoup de bruit.	L'appareil est trop près du mur, il n'est pas stable ou les articles à l'intérieur du réfrigérateur ne sont pas rangés correctement.	Régalez les pieds du réfrigérateur afin qu'il soit bien équilibré et stable. Assurez-vous qu'il n'est pas trop près du mur et que tous les articles sont correctement placés à l'intérieur.
L'appareil ne refroidit pas suffisamment.	La porte a été ouverte fréquemment ou est restée ouverte pendant de longues périodes.	Assurez-vous que la porte est fermée et qu'elle n'est pas ouverte fréquemment.
	Le réfrigérateur est trop près du mur.	Assurez-vous qu'il y a suffisamment d'espace entre le réfrigérateur et le mur.
	Le réfrigérateur est trop plein.	Retirez les articles de l'appareil.
	La température n'est pas réglée correctement.	Régalez la température sur « 3 » ou plus.
De mauvaises odeurs se dégagent de l'appareil.	Des aliments périmés se trouvent encore dans le réfrigérateur.	Jetez tous les aliments dont la date de péremption est dépassée.
	L'intérieur du réfrigérateur doit être nettoyé.	Nettoyez l'intérieur du réfrigérateur.

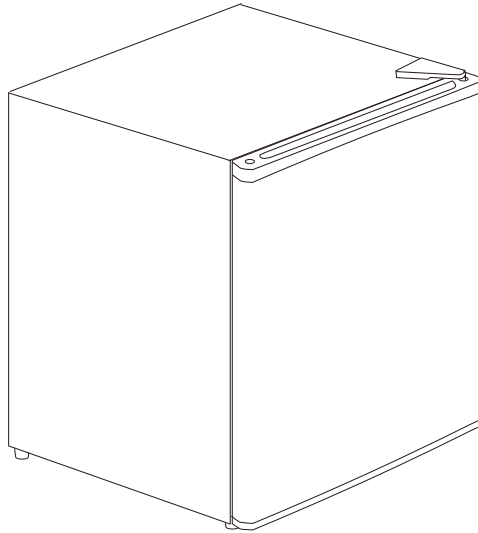
### Les symptômes suivants ne constituent pas des défauts :

- Le liquide de refroidissement peut être entendu circuler dans les tuyaux - ceci est normal.
- Le compresseur et le condenseur peuvent être chauds pendant les périodes de forte chaleur.
- Le cadre de la porte est chaud, ce qui signifie que le condenseur fonctionne pour évacuer l'humidité.



IN230200244V03\_ES

**800-155V90**



**NEVERA**



**IMPORTANTE, LEA Y GUARDE PARA FUTURAS REFERENCIAS.**

**MANUAL DE INSTRUCCIONES**

## Contenido

Instrucciones de seguridad importantes-----	28
Ilustración de la estructura -----	31
Transporte y entrega-----	32
Instalación-----	32
Inversión de la apertura de la puerta de su aparato-----	32
Primer uso -----	33
Prueba-----	33
Control de temperatura -----	34
Consejos útiles -----	34
Limpieza y cuidado -----	34
Especificaciones técnicas-----	36
Solución de problemas -----	37



¡ESTE PRODUCTO ES SÓLO PARA USO DOMÉSTICO!

Lea atentamente estas instrucciones antes de utilizar este producto por primera vez y guarde este manual para futuras consultas.

## INSTRUCCIONES DE SEGURIDAD IMPORTANTES

Al usar un aparato eléctrico, siempre se deben seguir las precauciones básicas, incluidas las siguientes:

1. Este aparato puede ser utilizado por niños a partir de 8 años y por personas con capacidades físicas, sensoriales o mentales reducidas o con falta de experiencia y conocimientos, siempre que hayan recibido supervisión o instrucciones sobre el uso seguro del aparato y comprendan los riesgos que conlleva. Los niños no deben jugar con el aparato. La limpieza y el mantenimiento por parte del usuario no deben ser realizados por niños sin supervisión.
2. Los niños de entre 3 y 8 años no deben cargar ni descargar aparatos de refrigeración.
3. Si el cable de alimentación está dañado, debe ser sustituido por el fabricante, su agente de servicio o personas igualmente cualificadas para evitar cualquier peligro.
4. **ADVERTENCIA:** Mantenga despejadas las aberturas de ventilación, tanto en la carcasa del aparato como en la estructura empotrada.
5. **ADVERTENCIA:** No utilice dispositivos mecánicos u otros medios para acelerar el proceso de descongelación, salvo los recomendados por el fabricante.
6. **ADVERTENCIA:** No dañe el circuito refrigerante.
7. **ADVERTENCIA:** No utilice aparatos eléctricos dentro de los compartimentos de almacenamiento de alimentos del aparato, a menos que sean del tipo recomendado por el fabricante.
8. No almacene sustancias explosivas, como latas de aerosol con propelentes inflamables, en este aparato.



9. **ADVERTENCIA:** Riesgo de incendio / Materiales inflamables. Mantenga este aparato alejado de llamas abiertas y otras fuentes de calor cuando lo use, lo repare y lo deseche. Hay materiales inflamables ubicados en la parte posterior de este aparato.
10. **ADVERTENCIA:** Al colocar el aparato, asegúrese de que el cable de alimentación no quede atrapado ni dañado.

11. **ADVERTENCIA:** No coloque múltiples enchufes portátiles o fuentes de alimentación portátiles en la parte trasera del aparato.
12. Para evitar la contaminación de los alimentos, respete las siguientes instrucciones:
  - Mantener la puerta abierta durante largos periodos de tiempo puede provocar un aumento significativo de la temperatura en los compartimentos del aparato.
  - Limpie regularmente las superficies que puedan entrar en contacto con los alimentos y los sistemas de drenaje accesibles.
  - Limpie los depósitos de agua si no se han utilizado durante 48 horas; purgue el sistema de agua conectado al suministro de agua si no se ha utilizado durante 5 días.
  - Guarde la carne y el pescado crudos en recipientes adecuados en el frigorífico, de modo que no entren en contacto con otros alimentos ni goteen sobre ellos.
  - Los compartimentos para alimentos congelados de dos estrellas son adecuados para almacenar alimentos precongelados, almacenar o preparar helados y hacer cubitos de hielo.
  - Los compartimentos de una, dos y tres estrellas no son adecuados para congelar alimentos frescos.
13. Si el aparato de refrigeración se deja vacío durante largos periodos de tiempo, apáguelo, descongélelo, límpielo, séquelo y deje la puerta abierta para evitar que se forme moho en su interior.
14. Este aparato de refrigeración no está diseñado para ser utilizado como aparato empotrado.
15. Este aparato de refrigeración está diseñado para ser utilizado a temperaturas ambiente comprendidas entre 16 °C y 38 °C.
16. Este congelador está diseñado para su uso doméstico y en aplicaciones similares, tales como:
  - cocinas para el personal en tiendas, oficinas y otros entornos de trabajo;
  - casas rurales y por clientes en hoteles, moteles y otros entornos de tipo residencial;
  - entornos de tipo bed and breakfast;
  - catering y aplicaciones similares no minoristas.
17. Este aparato está diseñado para uso doméstico, no lo use al aire libre.
18. Al colocar el aparato, asegúrese de que haya un espacio de 50 a 75 mm entre la pared y el frigorífico.
19. Cuando no esté en uso, antes de limpiar y al poner o quitar piezas, asegúrese de que el aparato esté desenchufado.
20. Asegúrese de que el aparato esté firmemente enchufado cuando lo use.
21. Inserte el enchufe en una sola toma con conexión a tierra.
22. Nunca utilice el aparato cerca de materiales combustibles e inflamables.
23. Las reparaciones y sustituciones del aparato deben realizarse en un centro de servicio autorizado.

24. El motor está permanentemente lubricado y no requieren aceite.
25. Asegúrese de que el enchufe esté accesible cuando coloque el aparato.
26. El refrigerante utilizado en el aparato y los materiales de aislamiento requieren procedimientos especiales de eliminación. Asegúrese de que ninguno de los tubos de la parte posterior del aparato esté dañado antes de desecharlo. Cuando se deshaga de una unidad vieja, rompa las cerraduras o sujetadores viejos y retire las puertas como medida de seguridad.
27. Para limpiar el aparato, utilice únicamente detergentes suaves o limpiacristales. Nunca utilice detergentes o disolventes agresivos.
28. No se recomienda utilizar este refrigerador con un cable de extensión o un tablero de alimentación. Asegúrese de que el aparato esté conectado directamente a la toma de corriente.
29. Espere a que los alimentos o bebidas calientes se enfríen a temperatura ambiente antes de colocarlos en el refrigerador.
30. Cierre la puerta inmediatamente después de colocar artículos dentro del refrigerador, asegurándose de que la temperatura no aumente drásticamente.
31. Mantenga el aparato alejado de todas las fuentes de calor y de la luz solar directa.
32. Coloque el aparato sobre una superficie plana y sólida; no lo coloque sobre materiales blandos.
33. No coloque artículos encima del electrodoméstico y asegúrese de que el refrigerador no se moje.
34. Para evitar descargas eléctricas, nunca use el aparato con las manos mojadas, mientras esté de pie sobre superficies mojadas o sobre agua.
35. Nunca lo use al aire libre o en condiciones húmedas.
36. Cuando desenchufe el aparato, no tire del cable; sujete el enchufe cuando lo retire de la toma de corriente.
37. Mantenga el cable alejado de superficies calientes.
38. Asegúrese de que el voltaje de la fuente de alimentación en su hogar coincida con el voltaje en la etiqueta de clasificación del electrodoméstico.
39. Conecte su refrigerador a un enchufe eléctrico independiente y use un cable de tierra seguro.
40. Cuando se elimine la escarcha del congelador o no haya electricidad o el refrigerador no esté en uso, asegúrese de limpiar el aparato para evitar que se formen olores desagradables.
41. Asegúrese de descongelar el congelador al menos una vez al mes; demasiada escarcha puede dañar la refrigeración.
42. Si se va la electricidad, vuelva a encenderla dentro de cinco minutos para asegurarse de que el compresor no se dañe.
43. Asegúrese de que los niños estén supervisados para que no jueguen con el aparato.
44. No use temporizadores externos o sistemas de control remoto separados para operar este aparato.

45. El aparato viene con un enchufe con conexión a tierra. Asegúrese de que la toma de corriente de la pared esté correctamente conectada a tierra.
46. Revise periódicamente el cable de alimentación para detectar cualquier signo de daño. Si se encuentran daños, no utilice este aparato.
47. Eliminación de dispositivos: las unidades antiguas tienen algún valor residual. Un método de eliminación respetuoso con el medio ambiente garantizará que las valiosas materias primas puedan recuperarse y reutilizarse. Puede obtener información actualizada sobre las opciones de eliminación de su unidad y embalaje antiguos en las autoridades locales.

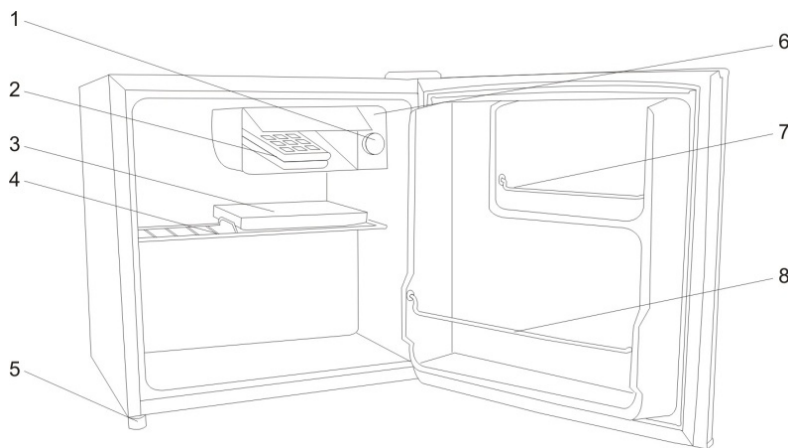
### ELIMINACIÓN CORRECTA DE ESTE PRODUCTO



Los productos eléctricos de desecho no deben eliminarse con la basura doméstica. Por favor, recicle en las instalaciones correspondientes. Consulte a su autoridad local o minorista para obtener asesoramiento sobre el reciclaje.

**Descargo de responsabilidad: No somos responsables de ningún daño a este refrigerador o accidentes que resulten del incumplimiento de las instrucciones contenidas en este manual.**

### ILUSTRACIÓN DE LA ESTRUCTURA



- |                                      |  |
|--------------------------------------|--|
| 1. Perilla de control del termostato | 6. Puerta del compartimento del refrigerador |
| 2. Bandeja de cubitos de hielo       | 7. Rejilla pequeña                           |
| 3. Bandeja de goteo de agua          | 8. Rejilla inferior                          |
| 4. Estante extraíble                 |  |
| 5. Pata ajustable                    |  |

## TRANSPORTE Y ENTREGA

Cuando mueva el electrodoméstico, sostenga la base y levante con cuidado el refrigerador a menos 45 grados. Nunca sostenga el mango para apoyarse. Nunca coloque boca abajo u horizontalmente.

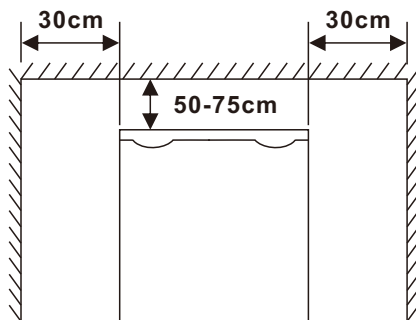
## INSTALACIÓN

Para mayor estabilidad, el dispositivo debe colocarse sobre una superficie plana y sólida. Cuando monte este dispositivo, manténgalo alejado de fuentes de calor y de la luz solar directa.

Colocar en un lugar seco y bien ventilado.

Para mejorar la eficiencia de enfriamiento y ahorrar energía, es importante mantener una buena ventilación alrededor del aparato. Para ello, asegúrese de que haya suficiente espacio alrededor del frigorífico.

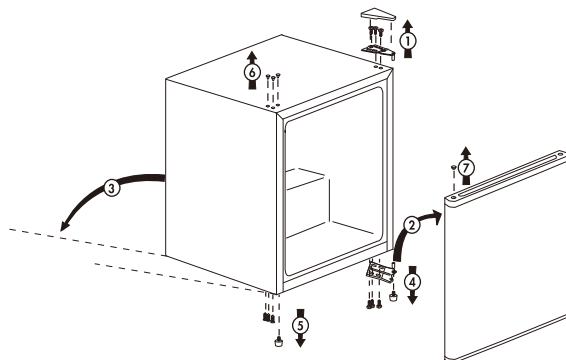
Coloque el dispositivo cerca de una pared, asegurándose de que la distancia sea de 50 a 75 mm.

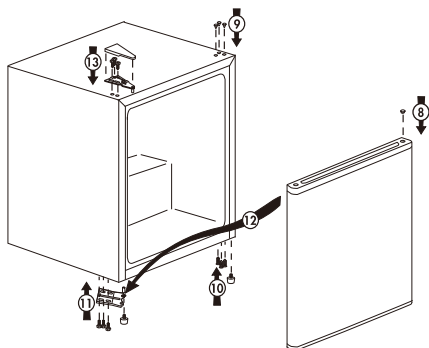


## Inversión de la apertura de la puerta de su aparato

Este aparato tiene la posibilidad de que la puerta se abra por el lado izquierdo o por el derecho. El aparato se entrega con la puerta abriéndose por el lado izquierdo.

Las siguientes imágenes del frigorífico son sólo para su referencia.





## PRIMER USO

Antes de usar, retire todo el embalaje, incluidas la almohadilla inferior, las almohadillas de espuma y las correas de goma del refrigerador.

Ajuste las patas, luego limpie el interior y el exterior del refrigerador con un paño suave.

Una vez instalado, espere de 2 a 6 horas antes de usar el dispositivo; no lo inicie de inmediato.

Para evitar dañar el cable de alimentación, asegúrese de que no esté cubierto por el refrigerador u otros objetos. Antes de encender el refrigerador, asegúrese de que su voltaje coincida con la fuente de alimentación.

Cuando lo instale por primera vez, deje que el aparato baje a la temperatura normal de funcionamiento antes de llenarlo con productos frescos o congelados; esto puede demorar de 2 a 3 horas.

## PRUEBA

Limpie el refrigerador con un paño suave y húmedo o con un detergente neutro y agua limpia, luego pásese un paño seco.

**Notas:** Las partes eléctricas solo se pueden limpiar con un paño seco; no use agua u otros líquidos.

Gire la perilla del termostato a '3' y encienda la electricidad. El compresor del refrigerador comenzarán a funcionar.

Cierre la puerta y espere 30 minutos; si la temperatura en el compartimiento del congelador desciende rápidamente, indica que el sistema del refrigerador funciona correctamente. Cuando el refrigerador se usa por períodos prolongados, el controlador establecerá automáticamente la temperatura (esto solo sucederá si la puerta no se abre con frecuencia).

## CONTROL DE TEMPERATURA

Ajuste la temperatura del refrigerador girando la perilla del termostato. Cuanto más cerca esté de '5', menor será la temperatura. Un ajuste medio es el más adecuado para el funcionamiento general.

La temperatura variará según la cantidad de alimentos almacenados y la frecuencia con la que se abre la puerta. Para mantener un enfriamiento eficiente y ahorrar energía, no se recomienda almacenar demasiados artículos y mantener la puerta cerrada cuando sea posible.

## CONSEJOS ÚTILES

Los siguientes consejos le ayudarán a ahorrar energía.

- No deje la puerta abierta durante períodos prolongados.
- Mantenga el aparato alejado de todas las fuentes de calor (luz solar directa, hornos, cocinas, etc.).
- No ajuste la temperatura más fría de lo necesario.
- No almacene alimentos calientes o líquidos en evaporación dentro del aparato.
- Coloque el aparato en una habitación bien ventilada y libre de humedad. Consulte el capítulo 'Instalación de su nuevo aparato'.

### Consejos para refrigerar alimentos frescos

- No introduzca alimentos calientes directamente en el frigorífico o el congelador: la temperatura interna aumentará, lo que significa que el compresor tiene que trabajar más y consumir más energía.
- Siempre cubra o envuelva su comida, especialmente si tiene un sabor fuerte.
- Coloque correctamente los alimentos dentro del refrigerador para que el aire pueda circular libremente a su alrededor.

### Apaga tu electrodoméstico

Si es necesario apagar el electrodoméstico durante un período prolongado, se deben seguir los siguientes pasos para evitar la formación de moho en el interior del aparato:

1. Retire todos los alimentos.
2. Desenchufe el dispositivo.
3. Limpie y seque bien el interior.
4. Asegúrese de que todas las puertas estén ligeramente abiertas para permitir que circule el aire.

## LIMPIEZA Y CUIDADO

Por motivos de higiene, el aparato (incluidos el interior y el exterior) debe limpiarse al menos cada dos meses.

**ADVERTENCIA:** Antes de limpiar, asegúrese de que el aparato esté apagado y desenchufado de la red eléctrica.

### **Limpieza exterior**

- Para mantener su electrodoméstico en perfecto estado, asegúrese de limpiarlo con regularidad.
- Limpie el panel digital y de la pantalla con un paño limpio y suave.
- Rocíe agua sobre el paño en lugar de rociar directamente sobre el aparato superficie.
- Limpie las puertas, las manijas y las superficies del gabinete con un detergente suave y luego seque con un paño suave.

### **¡Precaución!**

- No utilice objetos afilados, ya que es probable que rayen la superficie.
- Al limpiar, no utilice diluyente de pintura, detergente para automóviles, clorox, aceite de etilo, limpiadores abrasivos o solventes orgánicos como benceno. Esto puede dañar la superficie.

### **Limpieza de interiores**

- El interior debe limpiarse periódicamente. Limpie el interior del refrigerador con una solución débil de bicarbonato de sodio, luego enjuague con agua usando una esponja o un paño. Seque completamente antes de volver a colocar los estantes y las canastas. Asegúrese de que todas las superficies y piezas extraíbles estén completamente secas.

### **¡Precaución!**

- No utilice objetos afilados para quitar la escarcha del congelador. Antes de enchufar el congelador y encender el aparato, asegúrese de que el interior esté completamente seco.

### **Limpieza del sellado de puertas**

Asegúrese de que las juntas de las puertas se mantengan limpias. Los alimentos y bebidas pegajosos pueden hacer que la junta se pegue y se rompa al abrir la puerta. Lave la junta con un detergente suave y agua tibia. Enjuague y seque completamente después de la limpieza.

### **¡Precaución!**

- Sólo después de que las juntas de la puerta estén completamente secas se debe encender el aparato.

## ESPECIFICACIONES TÉCNICAS

Modelo	800-155V90(BC-50)
Voltaje nominal	220-240V~
Frecuencia nominal	50Hz
Corriente de refrigeración nominal	0.7A
Clase de protección de seguridad	I
Clase climática	N/ST
Refrigerante/cantidad	R600a/16g
Gas inyectado	C <sub>5</sub> H <sub>10</sub>
Volumen total	46L
Consumo de energía de E32	0.359kWh/24h
Consumo anual de energía	100 kWh/a
Peso neto	12.5 kg

### Clase climática:

- Temperatura extendida (SN): Este refrigerador está diseñado para usarse a una temperatura ambiente que oscila entre 10 y 32 °C.
- Temperatura (N): Este refrigerador está diseñado para usarse a una temperatura ambiente, que oscila entre 16 y 32 °C.
- Subtropical (ST): Este refrigerador está diseñado para usarse a una temperatura ambiente, que oscila entre 16 y 38 °C.
- Tropicales (T): Este refrigerador está diseñado para usarse a una temperatura ambiente que oscila entre 16 y 43 °C.

**Nota:** Para obtener más información, escanee el código QR en la etiqueta energética.

## SOLUCIÓN DE PROBLEMAS

Algunas averías se solucionan fácilmente. Antes de ponerse en contacto con el servicio de atención al cliente, compruebe si hay una solución en la tabla siguiente.

Problema	Causa	Solución
El aparato no funciona.	No hay fuente de alimentación.	Asegúrese de que esté enchufado correctamente. El disyuntor se ha disparado o el fusible está dañado. Compruebe que la toma de corriente funciona enchufando otro dispositivo eléctrico.
	El fusible no funciona.	Reemplace el fusible.
El aparato hace mucho ruido.	El electrodoméstico está demasiado cerca de la pared, no es estable o los artículos dentro del refrigerador no se almacenan correctamente.	Ajuste las patas en el frigorífico, asegurando un buen equilibrio y estabilidad. Asegúrese de que no esté demasiado cerca de la pared y asegúrese de que todos los elementos estén colocados correctamente en el interior.
El aparato no enfría lo suficiente.	La puerta se ha abierto con frecuencia o se ha dejado abierta durante mucho tiempo.	Asegúrese de que la puerta esté cerrada y que no se abra con frecuencia.
	El frigorífico también está cerca de la pared.	Asegúrate de que haya suficiente espacio entre el refrigerador y la pared.
	La nevera está demasiado llena.	Retire los artículos del aparato.
	La temperatura no está ajustada correctamente.	Cambie la temperatura a '3' o más.
Proviene malos olores del aparato	Hay alimentos caducados dentro de la nevera.	Deseche cualquier alimento que haya pasado su fecha de caducidad.
	El interior del refrigerador necesita limpieza.	Limpie el interior del refrigerador.

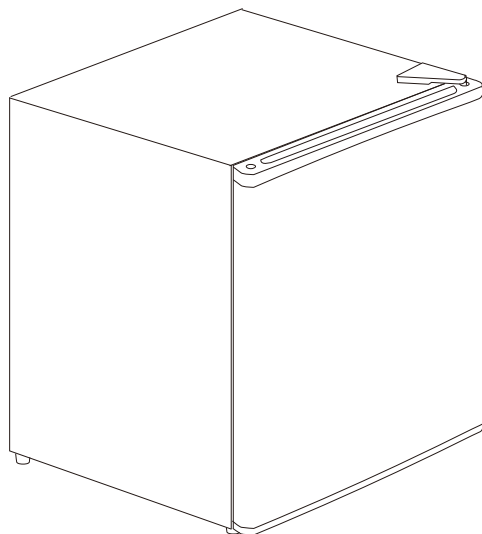
### Los siguientes indicadores no son fallos de funcionamiento:

- Se puede escuchar el flujo de refrigerante a través de los tubos; esto es normal.
- El compresor y el condensador pueden calentarse durante períodos de mucho calor.
- El marco de la puerta está tibio, lo que significa que el condensador está trabajando para liberar la humedad.



IN230200244V03\_PT

**800-155V90**



## FRIGORÍFICO



**ANTES DE USAR, LEIA E SIGA TODAS AS INSTRUÇÕES DE  
SEGURANÇA E DE FUNCIONAMENTO.**

# MANUAL DE INSTRUÇÕES

## Conteúdo

Importantes instruções de segurança -----	40
Ilustração da estrutura-----	43
Transporte e entrega -----	44
Instalação-----	44
Inverter a abertura da porta do seu aparelho-----	44
Primeira utilização-----	45
Teste-----	45
Controlo de temperatura-----	46
Dicas úteis -----	46
Limpeza e cuidados-----	47
Especificações técnicas -----	48
Resolução de problemas-----	49



ESTE PRODUTO É APENAS PARA  
USO DOMÉSTICO!

Leia atentamente estas instruções  
antes da primeira utilização deste  
produto e guarde este manual para  
referência futura.

## IMPORTANTES INSTRUÇÕES DE SEGURANÇA

Ao utilizar um aparelho eléctrico, devem ser sempre tomadas precauções básicas, incluindo as seguintes:

1. Este aparelho pode ser utilizado por crianças com idade igual ou superior a 8 anos e por pessoas com capacidades físicas, sensoriais ou mentais reduzidas ou com falta de experiência e conhecimento, desde que tenham recebido supervisão ou instruções sobre a utilização segura do aparelho e compreendam os riscos envolvidos. As crianças não devem brincar com o aparelho. A limpeza e a manutenção pelo utilizador não devem ser realizadas por crianças sem supervisão.
2. As crianças com idades compreendidas entre os 3 e os 8 anos não estão autorizadas a carregar e descarregar aparelhos de refrigeração.
3. Se o cabo de alimentação estiver danificado, deve ser substituído pelo fabricante, pelo seu agente de assistência ou por pessoas com qualificações semelhantes, a fim de evitar riscos.
4. **ADVERTÊNCIA:** Mantenha as aberturas de ventilação, no invólucro do aparelho ou na estrutura embutida, livres de obstruções.
5. **ADVERTÊNCIA:** Não utilize dispositivos mecânicos ou outros meios para acelerar o processo de descongelamento, além dos recomendados pelo fabricante.
6. **ADVERTÊNCIA:** Não danifique o circuito de refrigeração.
7. **ADVERTÊNCIA:** Não utilize aparelhos eléctricos dentro dos compartimentos de armazenamento de alimentos do aparelho, a menos que sejam do tipo recomendado pelo fabricante.
8. Não armazene substâncias explosivas, tais como latas de aerossol com propulsor inflamável, neste aparelho.



9. **ADVERTÊNCIA:** Risco de incêndio / Materiais inflamáveis. Mantenha este aparelho afastado de chamas abertas e outras fontes de calor quando utilizar, reparar e eliminar. Existem materiais inflamáveis localizados na parte de trás deste aparelho.
10. **ADVERTÊNCIA:** Ao posicionar o aparelho, certifique-se de que o cabo de alimentação não fica preso ou danificado.

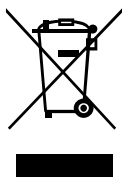
11. **ADVERTÊNCIA:** Não coloque várias tomadas portáteis ou fontes de alimentação portáteis na parte traseira do aparelho.
12. Para evitar a contaminação dos alimentos, respeite as seguintes instruções:
  - Abrir a porta por longos períodos pode causar um aumento significativo da temperatura nos compartimentos do aparelho.
  - Limpe regularmente as superfícies que podem entrar em contacto com alimentos e os sistemas de drenagem acessíveis.
  - Limpe os depósitos de água se não tiverem sido utilizados durante 48 horas; lave o sistema de água ligado a uma fonte de abastecimento se a água não tiver sido utilizada durante 5 dias.
  - Guarde a carne e o peixe crus em recipientes adequados no frigorífico, para que não entrem em contacto com outros alimentos nem pingem sobre eles.
  - Os compartimentos para alimentos congelados de duas estrelas são adequados para armazenar alimentos pré-congelados, armazenar ou fazer gelados e fazer cubos de gelo.
  - Os compartimentos de uma, duas e três estrelas não são adequados para congelar alimentos frescos.
13. Se o aparelho de refrigeração ficar vazio por longos períodos, desligue-o, descongele-o, limpe-o, seque-o e deixe a porta aberta para evitar o desenvolvimento de bolor no interior do aparelho.
14. Este aparelho de refrigeração não se destina a ser utilizado como aparelho embutido.
15. Este aparelho de refrigeração destina-se a ser utilizado a temperaturas ambientes entre 16 °C e 38 °C.
16. Este congelador destina-se a ser utilizado em aplicações domésticas e similares, tais como:
  - cozinhas para funcionários em lojas, escritórios e outros ambientes de trabalho;
  - casas de fazenda e por clientes em hotéis, motéis e outros ambientes residenciais;
  - ambientes do tipo pousada;
  - catering e aplicações similares não relacionadas com o retalho.
17. Este aparelho destina-se ao uso doméstico - não utilizar ao ar livre.
18. Ao colocar o aparelho, certifique-se de que há 50-75mm de espaço entre a parede e o frigorífico.
19. Quando não estiver a ser utilizado, antes de limpar e ao colocar ou retirar peças, certifique-se de que o aparelho está desligado da tomada.
20. Assegurar-se de que o aparelho está firmemente ligado à tomada quando estiver a ser utilizado.
21. Inserir a ficha numa única tomada com ligação à terra.
22. Nunca utilizar o aparelho perto de materiais combustíveis e inflamáveis.
23. As reparações e substituições do aparelho devem ser feitas num centro de

serviço autorizado.

24. O motor está permanentemente lubrificado e não necessita de óleo.
25. Assegurar que a ficha está acessível ao posicionar o aparelho.
26. O refrigerante utilizado no aparelho e os materiais de isolamento requerem procedimentos especiais de eliminação. Certificar-se de que nenhuma das tubagens na parte de trás do aparelho seja danificada antes da eliminação. Ao eliminar uma unidade antiga, romper quaisquer fechaduras ou fechos antigos e remover as portas como salvaguarda.
27. Para limpar o aparelho, utilizar apenas detergentes suaves ou produtos de limpeza de vidro. Nunca utilizar detergentes ou solventes agressivos.
28. Não é recomendada a utilização deste frigorífico com um cabo de extensão ou placa de alimentação. Certifique-se de que o aparelho está ligado directamente à tomada eléctrica.
29. Aguarde que os alimentos ou bebidas quentes arrefeçam à temperatura ambiente antes de os colocar no frigorífico.
30. Fechar a porta imediatamente após colocar os artigos no interior do frigorífico, assegurando que a temperatura não suba drasticamente.
31. Manter o aparelho afastado de todas as fontes de calor e da luz solar direta.
32. Colocar o aparelho sobre uma superfície plana e sólida - não colocar em cima de materiais macios.
33. Não colocar artigos em cima do aparelho, e garantir que o frigorífico não se molha.
34. Para evitar choques eléctricos, nunca utilize o aparelho com as mãos molhadas, enquanto estiver em cima de superfícies molhadas ou em pé na água.
35. Nunca utilizar ao ar livre ou em condições de humidade.
36. Ao desligar o aparelho, não puxar o cabo - agarrar a ficha ao retirar da tomada.
37. Manter o cordão afastado de superfícies aquecidas.
38. Certifique-se de que a voltagem da fonte de alimentação em sua casa corresponde à voltagem indicada na etiqueta de classificação do aparelho.
39. Ligue o seu frigorífico a uma tomada eléctrica independente e utilize um fio de terra seguro.
40. Quando a geada for removida do congelador ou não houver electricidade ou o frigorífico não estiver a ser utilizado, certifique-se de que o aparelho está limpo para impedir a formação de odores desagradáveis.
41. Certifique-se de que o congelador é descongelado pelo menos uma vez por mês - demasiada geada pode danificar a refrigeração.
42. Se a electricidade se desligar, voltar a ligá-la dentro de cinco minutos para garantir que o compressor não seja danificado.
43. Assegurar que as crianças são supervisionadas, para que não brinquem com o aparelho.

44. Não utilizar temporizadores externos ou sistemas de controlo remoto separados para operar este aparelho.
45. O aparelho vem com uma ficha com ligação à terra. Por favor, certifique-se de que a tomada de parede é devidamente ligada à terra.
46. Verificar regularmente o cabo de alimentação para detectar quaisquer sinais de danos. Se forem encontrados danos, não utilizar este aparelho.
47. Descarte do aparelho: As unidades antigas têm algum valor residual. Um método de eliminação ecológico garantirá que matérias-primas valiosas possam ser recuperadas e utilizadas novamente. Informações actualizadas, relativas às opções de eliminação da sua antiga unidade e embalagem, podem ser obtidas junto da sua autoridade local.

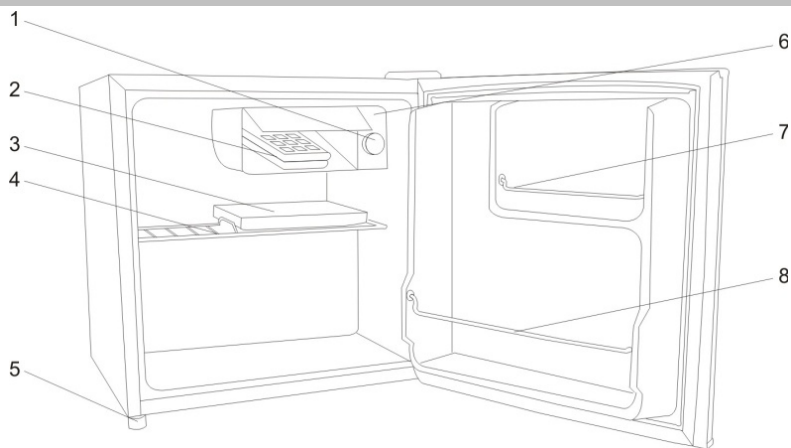
### ELIMINAÇÃO CORRETA DESTE PRODUTO



Os resíduos de produtos eléctricos não devem ser eliminados com resíduos domésticos. Por favor, reciclar onde existam instalações. Consulte a sua autoridade local ou vendedor para aconselhamento sobre reciclagem.

**Isenção de responsabilidade: Não nos responsabilizamos por quaisquer danos a este frigorífico ou acidentes, que resultem da não conformidade com as instruções contidas neste manual.**

### ILUSTRAÇÃO DA ESTRUTURA



- |                                    |   |
|------------------------------------|---|
| 1. Botão de controlo do termóstato | 5. Perna ajustável                        |
| 2. Bandeja de cubos de gelo        | 6. Porta do compartimento do refrigerador |
| 3. Bandeja de gotejamento de água  | 7. Pequeno suporte                        |
| 4. Prateleira amovível             | 8. Grade inferior                         |

## TRANSPORTE E ENTREGA

Ao mover o aparelho, segure a base e levante cuidadosamente o frigorífico a menos de 45 graus. Nunca segure a pega para apoio. Nunca colocar de cabeça para baixo ou horizontalmente.

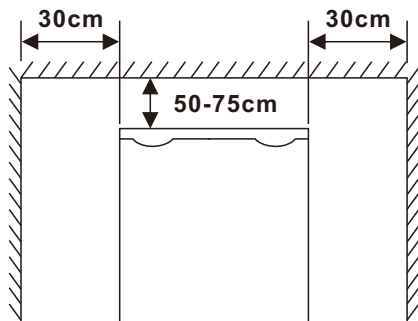
## INSTALAÇÃO

Para a estabilidade, o aparelho deve ser colocado sobre uma superfície plana e sólida. Ao montar este aparelho, mantenha-o afastado de fontes de calor e da luz solar direta.

Colocar num local seco e bem arejado.

Para melhorar a eficiência de arrefecimento e poupar energia, é importante manter uma boa ventilação em redor do aparelho. Para o efeito, assegurar a existência de espaço suficiente à volta do frigorífico.

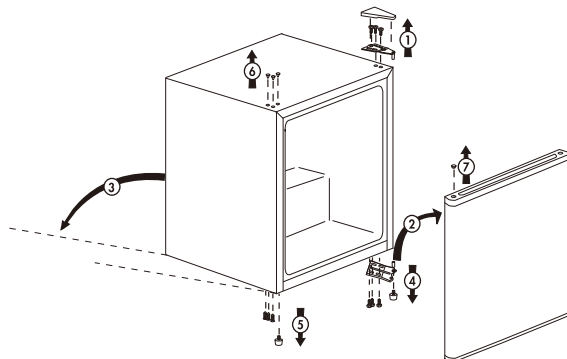
Colocar o aparelho perto de uma parede, assegurando que a distância está entre 50-75mm.

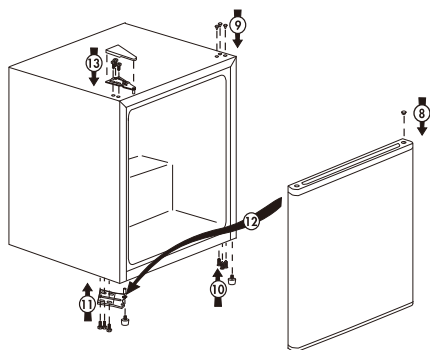


## Inverter a abertura da porta do seu aparelho

Este aparelho tem a possibilidade de abrir a porta do lado esquerdo ou do lado direito. O aparelho é-lhe entregue com a porta a abrir do lado esquerdo.

As imagens seguintes do frigorífico são apenas para referência.





## PRIMEIRA UTILIZAÇÃO

Antes de usar, remover todas as embalagens, incluindo a almofada inferior, almofadas de espuma e cintas de borracha do frigorífico.

Ajuste os pés, depois limpe o interior e o exterior do frigorífico com um pano macio de tecido.

Uma vez instalado, aguardar 2-6 horas antes de utilizar o aparelho - não iniciar imediatamente.

Para evitar danificar o cabo de alimentação, garantir que este não seja coberto pelo frigorífico ou outros objectos. Antes de ligar o frigorífico, certifique-se de que a sua voltagem coincide com a fonte de alimentação.

Quando instalado pela primeira vez, permitir que o aparelho caia para um funcionamento normal temperatura antes de encher com produtos frescos ou congelados - isto pode demorar 2-3 horas.

## TESTE

Limpar o frigorífico com um pano macio e húmido ou com um detergente neutro e água limpa, depois limpar com um pano seco.

**Notas:** As partes eléctricas só podem ser limpas com um pano seco - não utilizar água ou outros líquidos.

Rodar o botão do termóstato para '3' e ligar a electricidade. O compressor interior do frigorífico começarão a funcionar.

Fechar a porta e esperar 30 minutos - se a temperatura no compartimento do congelador diminuir rapidamente, mostra que o sistema do frigorífico funciona correctamente. Quando o frigorífico é utilizado durante longos períodos, o controlador ajustará automaticamente a temperatura (isto só acontecerá se a porta não estiver a ser aberta com frequência).

## CONTROLO DE TEMPERATURA

Ajustar a temperatura do frigorífico rodando o botão do termóstato. Quanto mais próximo estiver de '5', mais baixa será a temperatura. Um ajuste médio é o mais adequado para o funcionamento geral.

A temperatura irá variar, dependendo da quantidade de alimentos armazenados e da frequência com que a porta é aberta. Para manter um arrefecimento eficiente e poupar energia, não é recomendado armazenar muitos artigos, e manter a porta fechada quando possível.

## DICAS ÚTEIS

As seguintes dicas irão ajudar a poupar energia.

- Não manter a porta aberta por longos períodos.
- Manter o aparelho longe de todas as fontes de calor (luz solar directa, fornos, fogões, etc.).
- Não regular a temperatura mais fria do que o necessário.
- Não armazenar alimentos quentes ou líquido evaporante no interior do aparelho.
- Colocar o aparelho numa sala bem ventilada e sem humidade. Consultar o capítulo "Instalar o seu novo aparelho".

### Dicas para a refrigeração de alimentos frescos

- Não colocar alimentos quentes directamente no frigorífico ou congelador - a temperatura interna irá aumentar, o que significa que o compressor tem de trabalhar mais e consumir mais energia.
- Cubra ou embrulhe sempre os seus alimentos, especialmente se estes tiverem um sabor forte.
- Coloque adequadamente os alimentos dentro do frigorífico, para que o ar possa circular livremente à sua volta.

### Desligar o seu aparelho

Se o aparelho precisar de ser desligado por um período prolongado, devem ser tomadas as seguintes medidas para evitar a formação de bolor no interior do aparelho:

1. Retirar todos os alimentos.
2. Desligar o aparelho da tomada.
3. Limpar e secar bem o interior.
4. Certifique-se de que todas as portas estão ligeiramente abertas para permitir a circulação de ar.

## LIMPEZA E CUIDADOS

Por razões de higiene, o aparelho (incluindo o interior e o exterior) deve ser limpo pelo menos de dois em dois meses.

**ADVERTÊNCIA:** Antes de limpar, certifique-se de que o aparelho está desligado e desligado da rede eléctrica.

### Limpeza do exterior

- Para manter o seu aparelho com um aspecto impecável, certifique-se de que é limpo regularmente.
- Limpe o painel digital e de exposição com um pano limpo e macio.
- Pulverizar água sobre o pano em vez de pulverizar directamente sobre o aparelho superfície.
- Limpar as portas, puxadores e superfícies com um detergente suave, e depois secar com um pano macio.

### Cuidado!

- Não utilizar objectos pontiagudos, pois são susceptíveis de arranhar a superfície.
- Ao limpar, não utilizar diluente, detergente para automóveis, clorox, óleo etílico, produtos de limpeza abrasivos ou solventes orgânicos, tais como benzeno. Isto pode danificar a superfície.

### Limpeza do interior

- O interior deve ser limpo regularmente. Limpar o interior do frigorífico com uma solução fraca de bicarbonato de sódio, depois lavar a água com uma esponja ou pano. Limpar completamente seco antes de voltar a colocar as prateleiras e os cestos. Certifique-se de que todas as superfícies e partes removíveis estão completamente secas.

### Cuidado!

- Não utilizar objetos afiados para remover a geada do congelador. Antes de ligar o congelador e ligar o aparelho, garantir que o interior está completamente seco.

### Limpeza de vedações de portas

Garantir que as vedações das portas são mantidas limpas. Alimentos e bebidas pegajosos podem fazer com que o selo se cole, o qual pode rasgar ao abrir a porta. Lavar o selo com um detergente suave e água morna. Enxaguar e secar bem após a limpeza.

### Cuidado!

- Só depois de as vedações das portas estarem completamente secas é que o aparelho deve estar ligado.

## ESPECIFICAÇÕES TÉCNICAS

Modelo	800-155V90(BC-50)
Voltagem Nominal	220-240V~
Frequência Nominal	50Hz
Corrente nominal de arrefecimento	0.7A
Classe de Protecção de Segurança	I
Classe climática	N/ST
Refrigerante/montante	R600a/16g
Gás Injetado	C <sub>5</sub> H <sub>10</sub>
Volume total	46L
Consumo de energia de E32	0.359kWh/24h
Consumo anual de energia	100 kWh/a
Peso Líquido	12.5 kg

### Classe climática:

- Temperatura prolongada (SN): Este frigorífico destina-se a ser utilizado a uma temperatura ambiente, variando entre 10-32 °C.
- Temperatura (N): Este frigorífico destina-se a ser utilizado a uma temperatura ambiente, variando entre 16-32 °C.
- Subtropical (ST): Este frigorífico destina-se a ser utilizado a uma temperatura ambiente, variando entre 16-38 °C.
- Tropical (T): Este frigorífico destina-se a ser utilizado a uma temperatura ambiente, variando entre 16-43 °C.

**Nota:** Para mais informações, por favor, digitalizar o código QR na etiqueta energética.

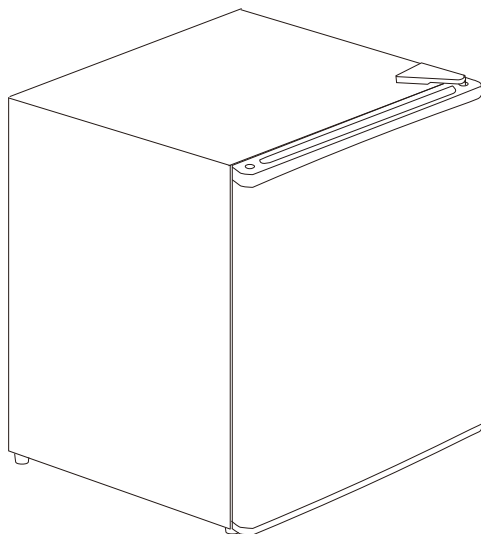
## RESOLUÇÃO DE PROBLEMAS

Algumas falhas são facilmente corrigidas - antes de contactar o serviço de atendimento ao cliente, ver se existe uma solução na tabela abaixo.

Problema	Causa	Solução
O aparelho não funciona.	Não há fonte de alimentação.	Assegurar-se de que está devidamente ligado à corrente. O disjuntor disparou ou o fusível está danificado. Verificar se a tomada é alimentada pela ligação de outro disjuntor eléctrico dispositivo.
	O fusível não funciona.	Substituir o fusível.
O aparelho faz muito barulho.	O aparelho está demasiado perto da parede, não é estável ou os artigos dentro do frigorífico não são armazenados corretamente.	Ajustar os pés no frigorífico, assegurando o seu bom equilíbrio e estabilidade. Certifique-se de que não está demasiado perto da parede, e assegure-se de que todos os artigos são colocados corretamente no interior.
O aparelho não arrefece o suficiente.	A porta tem sido aberta frequentemente ou tem sido deixada aberta por longos períodos.	Assegure-se de que a porta está fechada e não está a ser aberta com frequência.
	O frigorífico também está perto da parede.	Assegurar-se de que há espaço suficiente entre o frigorífico e a parede.
	O frigorífico está demasiado cheio.	Retirar artigos do aparelho.
	A temperatura não é ajustado adequadamente.	Mudar a temperatura para '3' ou mais.
Maus cheiros são provenientes do aparelho.	Alimentos obsoletos ainda dentro do frigorífico.	Jogar fora qualquer alimento que tenha passado a data de validade.
	O interior do frigorífico precisa de limpeza.	Limpar o interior do frigorífico.

### Os seguintes indicadores não são avarias:

- O líquido de arrefecimento pode ser ouvido a circular através dos tubos - isto é normal.
- O compressor e o condensador podem estar quentes durante períodos de forte calor.
- A estrutura da porta é quente, o que significa que o condensador está a trabalhar para libertar a humidade.



## KÜHLSCHRANK



**BITTE LESEN UND BEFOLGEN SIE VOR DER VERWENDUNG ALLE  
SICHERHEITSREGELN UND BETRIEBSANWEISUNGEN.**

## Inhalt

Wichtige sicherheitshinweise-----	52
Strukturabbildung-----	56
Transport und handhabung-----	56
Installation -----	56
Umkehren der türanschlagrichtung ihres geräts-----	57
Erste verwendung -----	58
Test-----	58
Temperaturregelung -----	58
Hilfreiche tipps -----	59
Reinigung und pflege -----	59
Technische daten-----	61
Fehlersuche -----	62



DIESES PRODUKT IST NUR FÜR DEN HAUSHALTSGEBRAUCH BESTIMMT!

Bitte lesen Sie diese Anweisungen vor der ersten Verwendung dieses Produkts sorgfältig durch und bewahren Sie diese Anleitung zum späteren Nachschlagen auf.

## WICHTIGE SICHERHEITSHINWEISE

Bei der Verwendung eines Elektrogeräts sollten stets grundlegende Vorsichtsmaßnahmen beachtet werden, darunter die folgenden:

1. Dieses Gerät kann von Kindern ab 8 Jahren und darüber sowie von Personen mit verringerten physischen, sensorischen oder mentalen Fähigkeiten oder Mangel an Erfahrung und Wissen benutzt werden, wenn sie beaufsichtigt oder bezüglich des sicheren Gebrauchs des Gerätes unterwiesen wurden und die daraus resultierenden Gefahren verstehen. Kinder dürfen nicht mit dem Gerät spielen. Reinigung und Benutzer Wartung dürfen nicht von Kindern ohne Beaufsichtigung durchgeführt werden.
2. Kindern im Alter von 3 bis einschließlich 8 Jahren ist es nicht erlaubt, Kühlgeräte zu be- und entladen.
3. Wenn das Netzkabel beschädigt ist, muss es vom Hersteller, seinem Kundendienst oder einer ähnlich qualifizierten Person ausgetauscht werden, um Gefahren zu vermeiden.
4. **WARNUNG:** Belüftungsöffnungen im Gerätegehäuse oder im Einbaugehäuse nicht verschließen.
5. **WARNUNG:** Zum Beschleunigen des Abtauvorgangs keine anderen mechanischen Einrichtungen oder sonstigen Mittel als die vom Hersteller empfohlenen benutzen.
6. **WARNUNG:** Kältemittelkreislauf nicht beschädigen.
7. **WARNUNG:** Keine elektrischen Geräte innerhalb des Kühlfachs betreiben, die nicht der vom Hersteller empfohlenen Bauart entsprechen.
8. In diesem Gerät keine explosionsfähigen Stoffe, wie zum Beispiel Aerosolbehälter mit brennbarem Treibgas, lagern.



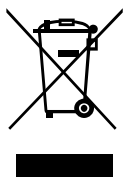
9. **Vorsicht: Brandgefahr / Entzündliche Materialien.** Halten Sie dieses Gerät während des Gebrauchs, der Wartung und der Entsorgung von offenen Flammen und anderen Wärmequellen fern. Auf der Rückseite dieses Geräts befinden sich brennbare Materialien.
10. **ACHTUNG:** Achten Sie beim Aufstellen des Geräts darauf, dass das Netzkabel nicht eingeklemmt oder beschädigt wird.

11. **WARNUNG:** Platzieren Sie keine Mehrfachsteckdosen oder tragbaren Netzteile an der Rückseite des Geräts, um eine Überhitzung oder mögliche Brandgefahr zu vermeiden.
12. Um eine Kontamination der Lebensmittel zu vermeiden, beachten Sie bitte die folgenden Anweisungen:
  - Das Öffnen der Tür über einen längeren Zeitraum kann zu einem deutlichen Temperaturanstieg in den Fächern des Geräts führen.
  - Reinigen Sie regelmäßig Oberflächen, die mit Lebensmitteln in Kontakt kommen können, sowie zugängliche Abflusssysteme.
  - Reinigen Sie die Wasserbehälter, wenn sie 48 Stunden lang nicht benutzt wurden; spülen Sie das an eine Wasserversorgung angeschlossene Wassersystem, wenn 5 Tage lang kein Wasser entnommen wurde.
  - Lagern Sie rohes Fleisch und Fisch in geeigneten Behältern im Kühlschrank, damit sie nicht mit anderen Lebensmitteln in Berührung kommen oder auf diese tropfen.
  - Zwei-Sterne-Gefrierfächer eignen sich für die Lagerung von vorgefrorenen Lebensmitteln, die Lagerung oder Herstellung von Speiseeis und die Herstellung von Eiswürfeln.
  - Ein-, Zwei- und Drei-Sterne-Fächer eignen sich nicht zum Einfrieren frischer Lebensmittel.
13. Wenn das Kühlgerät längere Zeit leer steht, schalten Sie es aus, tauen Sie es ab, reinigen und trocknen Sie es und lassen Sie die Tür offen, um Schimmelbildung im Gerät zu vermeiden.
14. Dieses Kühlgerät ist nicht für den Einbau vorgesehen.
15. Dieses Kühlgerät ist für den Betrieb bei Umgebungstemperaturen zwischen 16 °C und 38 °C vorgesehen.
16. Dieses Gerät ist für den Gebrauch im Haushalt und in ähnlichen Anwendungsbereichen vorgesehen wie z.B:
  - Personalküchenbereichen in Läden, Büros und anderen Arbeitsbereichen;
  - in der Landwirtschaft und von Gästen in Hotels, Motels und anderen Unterkünften;
  - Frühstückspensionen;
  - im Catering und ähnlichem Großhandelseinsatz.gesehen.
17. Dieses Gerät ist für den Hausgebrauch bestimmt – verwenden Sie es nicht im Freien.
18. Achten Sie beim Aufstellen des Geräts darauf, dass zwischen der Wand und dem Kühlschrank ein Abstand von 50–75 mm besteht. 19. Stellen Sie sicher, dass das Gerät vom Stromnetz getrennt ist, wenn es nicht verwendet wird, vor der Reinigung und beim Anbringen oder Entfernen von Teilen.
20. Stellen Sie sicher, dass das Gerät bei der Verwendung fest angeschlossen ist.
21. Stecken Sie den Stecker in eine einzelne geerdete Steckdose.

22. Verwenden Sie das Gerät niemals in der Nähe von brennbaren und entzündlichen Materialien.
23. Reparaturen und Austausch von Teilen des Geräts müssen in einem autorisierten Servicecenter durchgeführt werden.
24. Der Motor ist dauerhaft geschmiert und benötigt kein Öl.
25. Stellen Sie sicher, dass der Stecker zugänglich ist, wenn Sie das Gerät aufstellen.
26. Das im Gerät verwendete Kältemittel und die Isoliermaterialien erfordern spezielle Entsorgungsverfahren. Vergewissern Sie sich vor der Entsorgung, dass keine der Leitungen auf der Rückseite des Geräts beschädigt ist. Brechen Sie bei der Entsorgung eines alten Geräts alle alten Schösser oder Verriegelungen ab und entfernen Sie die Türen als Sicherheitsmaßnahme.
27. Verwenden Sie zur Reinigung des Geräts nur milde Reinigungsmittel oder Glasreiniger. Verwenden Sie niemals aggressive Reinigungsmittel oder Lösungsmittel.
28. Es wird nicht empfohlen, diesen Kühlschrank mit einem Verlängerungskabel oder einer Steckdosenleiste zu verwenden. Bitte stellen Sie sicher, dass das Gerät direkt an die Steckdose angeschlossen ist.
29. Warten Sie, bis heiße Speisen oder Getränke auf Raumtemperatur abgekühlt sind, bevor Sie sie in den Kühlschrank stellen.
30. Schließen Sie die Tür sofort nach dem Einräumen von Gegenständen in den Kühlschrank, damit die Temperatur nicht stark ansteigt.
31. Halten Sie das Gerät von allen Wärmequellen und direkter Sonneneinstrahlung fern.
32. Stellen Sie das Gerät auf eine ebene und feste Oberfläche – stellen Sie es nicht auf weiche Materialien.
33. Stellen Sie keine Gegenstände auf das Gerät und achten Sie darauf, dass der Kühlschrank nicht nass wird.
34. Um einen Stromschlag zu vermeiden, verwenden Sie das Gerät niemals mit nassen Händen, während Sie auf nassen Oberflächen stehen oder in Wasser stehen.
35. Verwenden Sie das Gerät niemals im Freien oder unter nassen Bedingungen.
36. Ziehen Sie beim Herausziehen des Steckers nicht am Kabel, sondern fassen Sie den Stecker an, wenn Sie ihn aus der Steckdose ziehen.
37. Halten Sie das Kabel von heißen Oberflächen fern.
38. Stellen Sie sicher, dass die Spannung der Stromversorgung in Ihrem Haushalt mit der auf dem Typenschild des Geräts angegebenen Spannung übereinstimmt.
39. Schließen Sie Ihren Kühlschrank an eine unabhängige Steckdose an und verwenden Sie ein sicheres Erdungskabel.
40. Wenn Sie den Gefrierschrank abtauen, kein Strom vorhanden ist oder der Kühlschrank nicht benutzt wird, reinigen Sie das Gerät, um unangenehme Gerüche zu vermeiden.

41. Tauen Sie den Gefrierschrank mindestens einmal im Monat ab – zu viel Frost kann die Kühlung beschädigen.
42. Wenn der Strom ausfällt, schalten Sie ihn innerhalb von fünf Minuten wieder ein, um sicherzustellen, dass der Kompressor nicht beschädigt wird.
43. Achten Sie darauf, dass Kinder beaufsichtigt werden, damit sie nicht mit dem Gerät spielen.
44. Verwenden Sie keine externen Zeitschaltuhren oder separate Fernbedienungssysteme zum Betrieb dieses Geräts.
45. Das Gerät wird mit einem geerdeten Stecker geliefert. Stellen Sie sicher, dass die Steckdose ordnungsgemäß geerdet ist.
46. Überprüfen Sie das Netzkabel regelmäßig auf Anzeichen von Beschädigungen. Wenn Sie Beschädigungen feststellen, verwenden Sie dieses Gerät nicht.
47. Entsorgung des Geräts: Alte Geräte haben einen gewissen Restwert. Eine umweltfreundliche Entsorgung gewährleistet, dass wertvolle Rohstoffe zurückgewonnen und wiederverwendet werden können. Aktuelle Informationen zu den Möglichkeiten der Entsorgung Ihres alten Geräts und der Verpackung erhalten Sie bei Ihrer Gemeindeverwaltung.

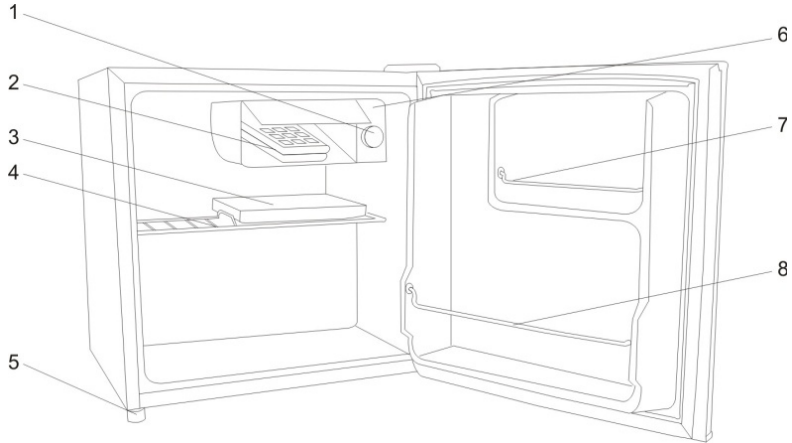
#### KORREKTE ENTSORGUNG DIESES PRODUKTS



Elektroaltgeräte dürfen nicht mit dem Hausmüll entsorgt werden. Bitte recyceln Sie sie, sofern entsprechende Einrichtungen vorhanden sind. Erkundigen Sie sich bei Ihrer Gemeindeverwaltung oder Ihrem Händler nach Recyclingmöglichkeiten.

**Haftungsausschluss: Wir haften nicht für Schäden an diesem Kühlschrank oder Unfälle, die durch Nichtbeachtung der in dieser Anleitung enthaltenen Anweisungen entstehen.**

## STRUKTURABBILDUNG



1. Thermostat-Drehknopf
2. Eiswürfelbehälter
3. Tropfschale
4. Herausnehmbares Fach

5. Verstellbares Standbein
6. Tür des Kühlfachs
7. Kleines Fach
8. Unteres Fach

## TRANSPORT UND HANDHABUNG

Wenn Sie das Gerät bewegen, halten Sie es am Boden fest und heben Sie den Kühlschrank vorsichtig in einem Winkel von weniger als 45 Grad an. Halten Sie sich niemals am Griff fest. Stellen Sie das Gerät niemals auf den Kopf oder horizontal.

## INSTALLATION

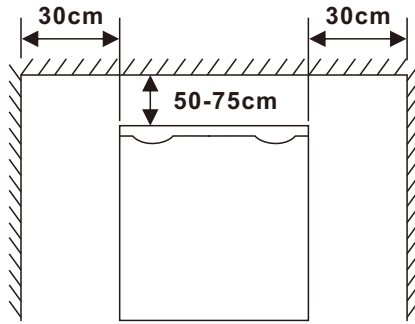
Aus Stabilitätsgründen muss das Gerät auf einer ebenen und festen Oberfläche aufgestellt werden.

Stellen Sie das Gerät bei der Installation nicht in der Nähe von Wärmequellen und direkter Sonneneinstrahlung auf.

Stellen Sie es an einem trockenen und gut belüfteten Ort auf.

Um die Kühlleistung zu verbessern und Energie zu sparen, ist es wichtig, für eine gute Belüftung rund um das Gerät zu sorgen. Stellen Sie dazu sicher, dass um den Kühlschrank herum ausreichend Platz vorhanden ist.

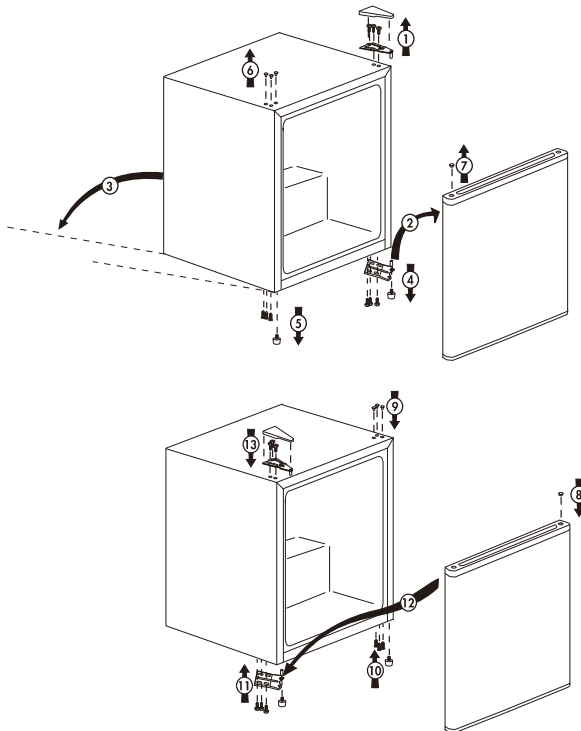
Stellen Sie das Gerät in einem Abstand von 50 bis 75 mm zu einer Wand auf.



### Umkehren der Türanschlagrichtung Ihres Geräts

Dieses Gerät kann die Tür sowohl von links als auch von rechts öffnen. Das Gerät wird mit einer Tür geliefert, die sich von links öffnet.

Die folgenden Bilder des Kühlschranks dienen nur zu Ihrer Information.



## ERSTE VERWENDUNG

Entfernen Sie vor der Verwendung alle Verpackungsmaterialien, einschließlich der Bodenpolster, Schaumstoffpolster und Gummibänder, aus dem Kühlschrank.

Stellen Sie die Füße ein und wischen Sie dann den Innen- und Außenbereich des Kühlschranks mit einem weichen Tuch ab.

Warten Sie nach der Aufstellung 2 bis 6 Stunden, bevor Sie das Gerät in Betrieb nehmen – starten Sie es nicht sofort.

Um eine Beschädigung des Netzkabels zu vermeiden, achten Sie darauf, dass es nicht vom Kühlschrank oder anderen Gegenständen verdeckt wird.

Vergewissern Sie sich vor dem Einschalten des Kühlschranks, dass die Spannung mit der Stromversorgung übereinstimmt.

Lassen Sie das Gerät nach der ersten Installation auf normale Betriebstemperatur abkühlen, bevor Sie es mit frischen oder gefrorenen Lebensmitteln befüllen – dies kann 2–3 Stunden dauern.

## TEST

Reinigen Sie den Kühlschrank mit einem weichen, feuchten Tuch oder mit einem neutralen Reinigungsmittel und klarem Wasser und wischen Sie ihn anschließend trocken.

**Hinweise:** Elektrische Teile dürfen nur mit einem trockenen Tuch abgewischt werden – verwenden Sie kein Wasser oder andere Flüssigkeiten.

Drehen Sie den Thermostatknopf auf „3“ und schalten Sie den Strom ein. Der Kompressor im Inneren des Kühlschranks beginnt zu arbeiten.

Schließen Sie die Tür und warten Sie 30 Minuten – wenn die Temperatur im Gefrierfach schnell sinkt, funktioniert das Kühlsystem ordnungsgemäß.

Bei längerem Gebrauch des Kühlschranks stellt der Regler die Temperatur automatisch ein (dies geschieht nur, wenn die Tür nicht häufig geöffnet wird).

## TEMPERATURREGELUNG

Stellen Sie die Kühlschranktemperatur durch Drehen des Thermostatknopfs ein. Je näher der Knopf an „5“ steht, desto niedriger ist die Temperatur. Für den normalen Betrieb ist eine mittlere Einstellung am besten geeignet.

Die Temperatur variiert je nach Menge der gelagerten Lebensmittel und der Häufigkeit, mit der die Tür geöffnet wird. Um eine effiziente Kühlung aufrechtzuerhalten und Energie zu sparen, wird empfohlen, nicht zu viele Lebensmittel zu lagern und die Tür möglichst geschlossen zu halten.

## HILFREICHE TIPPS

Die folgenden Tipps helfen Ihnen, Energie zu sparen.

- Lassen Sie die Tür nicht über längere Zeit offen stehen.
- Halten Sie das Gerät von allen Wärmequellen fern (direkte Sonneneinstrahlung, Öfen, Herde usw.).
- Stellen Sie die Temperatur nicht kälter als nötig ein.
- Lagern Sie keine warmen Lebensmittel oder verdunstende Flüssigkeiten im Gerät.
- Stellen Sie das Gerät in einem gut belüfteten und feuchtigkeitsfreien Raum auf. Bitte lesen Sie dazu das Kapitel „Installation Ihres neuen Geräts“.

### Tipps für die Kühlung frischer Lebensmittel

- Stellen Sie keine heißen Lebensmittel direkt in den Kühlschrank oder das Gefrierfach – die Innentemperatur steigt dadurch an, was bedeutet, dass der Kompressor stärker arbeiten muss und mehr Energie verbraucht.
- Decken Sie Ihre Lebensmittel immer ab oder verpacken Sie sie, insbesondere wenn sie einen starken Geruch haben.
- Stellen Sie Lebensmittel richtig in den Kühlschrank, damit die Luft frei zirkulieren kann.

### Ausschalten Ihres Geräts

Wenn das Gerät für einen längeren Zeitraum ausgeschaltet werden muss, sollten die folgenden Schritte durchgeführt werden, um Schimmelbildung im Gerät zu verhindern:

1. Entfernen Sie alle Lebensmittel.
2. Ziehen Sie den Netzstecker des Geräts.
3. Reinigen und trocknen Sie das Innere gründlich.
4. Stellen Sie sicher, dass alle Türen leicht geöffnet sind, damit die Luft zirkulieren kann.

## REINIGUNG UND PFLEGE

Aus hygienischen Gründen sollte das Gerät (einschließlich Innen- und Außenbereich) mindestens alle zwei Monate gereinigt werden.

**WARNUNG:** Vergewissern Sie sich vor der Reinigung, dass das Gerät ausgeschaltet und vom Stromnetz getrennt ist.

### Reinigung der Außenflächen

- Um Ihr Gerät in einem makellosen Zustand zu halten, sollten Sie es regelmäßig reinigen.
- Wischen Sie das Digital- und Displayfeld mit einem sauberen, weichen Tuch ab.

- Sprühen Sie Wasser auf das Tuch, anstatt es direkt auf die Oberfläche des Geräts zu sprühen.
- Reinigen Sie die Türen, Griffe und Gehäuseoberflächen mit einem milden Reinigungsmittel und wischen Sie sie anschließend mit einem weichen Tuch trocken.

### **Achtung!**

- Verwenden Sie keine scharfen Gegenstände, da diese die Oberfläche zerkratzen können.
- Verwenden Sie zum Reinigen keine Verdüner, Autoreiniger, Chlor, ätherische Öle, Scheuermittel oder organische Lösungsmittel wie Benzol. Dies könnte die Oberfläche beschädigen.

### **Interior cleaning**

- Der Innenraum sollte regelmäßig gereinigt werden. Wischen Sie den Innenraum des Kühlschranks mit einer schwachen Natronlauge aus und spülen Sie ihn anschließend mit einem Schwamm oder Tuch ab. Wischen Sie ihn vollständig trocken, bevor Sie die Einlegeböden und Körbe wieder einsetzen. Achten Sie darauf, dass alle Oberflächen und abnehmbaren Teile vollständig trocken sind.

### **Achtung!**

- Verwenden Sie keine scharfen Gegenstände, um Frost aus dem Gefrierfach zu entfernen. Vergewissern Sie sich vor dem Anschließen und Einschalten des Geräts, dass der Innenraum vollständig trocken ist.

### **Reinigung der Türdichtungen**

Achten Sie darauf, dass die Türdichtungen sauber gehalten werden. Anhaftende Lebensmittel und Getränke können dazu führen, dass die Dichtung am Gehäuse festklebt und beim Öffnen der Tür reißt. Waschen Sie die Dichtung mit einem milden Reinigungsmittel und warmem Wasser. Spülen Sie sie nach der Reinigung gründlich ab und trocknen Sie sie.

### **Achtung!**

- Das Gerät darf erst eingeschaltet werden, wenn die Türdichtungen vollständig trocken sind.

## TECHNISCHE DATEN

Modell	800-155V90(BC-50)
Nennspannung	220-240V~
Nennfrequenz	50Hz
Nennkühlstrom	0.7A
Sicherheitsschutzklasse	I
Klimaklasse	N/ST
Kältemittel/Menge	R600a/16g
Blasgas	C <sub>5</sub> H <sub>10</sub>
Gesamtvolumen	46L
Energieverbrauch von E32	0.359kWh/24h
Jährlicher Energieverbrauch	100 kWh/a
Nettogewicht	12.5 kg

### Klimaklasse:

- Erweiterte Temperatur (SN): Dieser Kühlschrank ist für den Einsatz bei einer Umgebungstemperatur von 10 bis 32 °C vorgesehen.
- Temperatur (N): Dieser Kühlschrank ist für den Einsatz bei einer Umgebungstemperatur von 16 bis 32 °C vorgesehen.
- Subtropisch (ST): Dieser Kühlschrank ist für den Einsatz bei einer Umgebungstemperatur zwischen 16 und 38 °C vorgesehen.
- Tropisch (T): Dieser Kühlschrank ist für den Einsatz bei einer Umgebungstemperatur zwischen 16 und 43 °C vorgesehen.

**Hinweis:** Weitere Informationen finden Sie unter dem QR-Code auf dem Energieeffizienzlabel.

## FEHLERSUCHE

Einige Fehler lassen sich leicht beheben – bevor Sie sich an den Kundendienst wenden, sehen Sie bitte in der folgenden Tabelle nach, ob es eine Lösung gibt.

Symptom	Ursache	Lösung
Das Gerät funktioniert nicht.	Es liegt keine Stromversorgung vor.	Stellen Sie sicher, dass das Gerät richtig angeschlossen ist. Der Schutzscharter hat ausgelöst oder die Sicherung ist defekt. Überprüfen Sie, ob die Steckdose Strom führt, indem Sie ein anderes elektrisches Gerät anschließen.
	Die Sicherung funktioniert nicht.	Ersetzen Sie die Sicherung.
Das Gerät macht viel Lärm.	Das Gerät steht zu nah an der Wand, ist nicht stabil oder die Gegenstände im Kühlschrank sind nicht richtig gelagert.	Stellen Sie die Füße des Kühlschranks so ein, dass er richtig ausbalanciert und stabil steht. Stellen Sie sicher, dass er nicht zu nah an der Wand steht und dass alle Gegenstände richtig im Inneren platziert sind.
Das Gerät kühlt nicht ausreichend.	Die Tür wurde häufig geöffnet oder stand längere Zeit offen.	Stellen Sie sicher, dass die Tür geschlossen ist und nicht häufig geöffnet wird.
	Der Kühlschrank steht zu nah an der Wand.	Stellen Sie sicher, dass zwischen dem Kühlschrank und der Wand genügend Platz ist.
	Der Kühlschrank ist zu voll.	Entfernen Sie Gegenstände aus dem Gerät.
	Die Temperatur ist nicht richtig eingestellt.	Stellen Sie die Temperatur auf „3“ oder höher.
Aus dem Gerät kommen schlechte Gerüche.	Es befinden sich abgelaufene Lebensmittel im Kühlschrank.	Werfen Sie alle Lebensmittel weg, deren Verfallsdatum überschritten ist.
	Der Innenraum des Kühlschranks muss gereinigt werden.	Reinigen Sie das Innere des Kühlschranks.

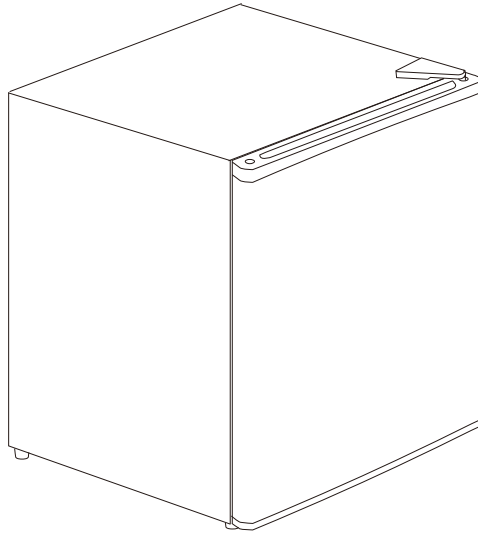
### Die folgenden Symptome sind keine Fehler:

- Das Kühlmittel zirkuliert hörbar durch die Leitungen – dies ist normal.
- Der Kompressor und der Kondensator können bei starker Hitze warm werden.
- Der Türrahmen ist warm, was bedeutet, dass der Kondensator arbeitet, um die Feuchtigkeit abzugeben.



IN230200244V03\_IT

**800-155V90**



## FRIGORIFERO



**PRIMA DELL'USO, LEGGERE E SEGUIRE TUTTE LE NORME DI SICUREZZA E LE ISTRUZIONI PER L'USO.**

# MANUALE DI ISTRUZIONI

## Indice

Istruzioni di sicurezza importanti -----	65
Illustrazione della struttura-----	68
Trasporto e movimentazione-----	69
Installazione -----	69
Inversione dell'apertura della porta dell'apparecchio-----	69
Primo utilizzo -----	70
Test -----	70
Controllo della temperatura -----	71
Consigli utili -----	71
Pulizia e manutenzione -----	71
Specifiche tecniche-----	73
Risoluzione dei problemi -----	74



QUESTO PRODOTTO È DESTINATO  
ESCLUSIVAMENTE ALL'USO  
DOMESTICO!

Leggere attentamente queste istruzioni  
prima del primo utilizzo del prodotto e  
conservare il manuale per riferimento futuro.

## ISTRUZIONI DI SICUREZZA IMPORTANTI

Quando si utilizza un apparecchio elettrico, è necessario seguire sempre le precauzioni di base, tra cui:

1. Questo apparecchio può essere utilizzato da bambini di età superiore agli 8 anni e da persone con ridotte capacità fisiche, sensoriali o mentali o con mancanza di esperienza e conoscenza, purché siano stati istruiti sull'uso sicuro dell'apparecchio e ne comprendano i rischi. I bambini non devono giocare con l'apparecchio. La pulizia e la manutenzione da parte dell'utente non devono essere effettuate dai bambini senza supervisione.
2. I bambini di età compresa tra i 3 e gli 8 anni non sono autorizzati a caricare e scaricare gli apparecchi di refrigerazione.
3. Se il cavo di alimentazione è danneggiato, deve essere sostituito dal produttore, dal suo agente di assistenza o da persone qualificate in modo simile, al fine di evitare pericoli.
4. **AVVERTENZA:** mantenere libere da ostruzioni le aperture di ventilazione, nell'involucro dell'apparecchio o nella struttura incorporata.
5. **AVVERTENZA:** non utilizzare dispositivi meccanici o altri mezzi per accelerare il processo di sbrinamento, diversi da quelli raccomandati dal produttore.
6. **AVVERTENZA:** non danneggiare il circuito del refrigerante.
7. **AVVERTENZA:** non utilizzare apparecchi elettrici all'interno dei vani di conservazione degli alimenti dell'apparecchio, a meno che non siano del tipo raccomandato dal produttore.
8. Non conservare sostanze esplosive come bombolette aerosol con propellente infiammabile in questo apparecchio.



9. **AVVERTENZA:** pericolo di incendio / materiali infiammabili. Tenere l'apparecchio lontano da fiamme libere e altre fonti di calore durante l'uso, la manutenzione e lo smaltimento. Sul retro dell'apparecchio sono presenti materiali infiammabili.
10. **AVVERTENZA:** quando si posiziona l'apparecchio, assicurarsi che il cavo di alimentazione non sia intrappolato o danneggiato.
11. **AVVERTENZA:** non posizionare prese multiple portatili o alimentatori

portatili sul retro dell'apparecchio.

12. Per evitare la contaminazione degli alimenti, rispettare le seguenti istruzioni:
  - L'apertura prolungata della porta può causare un aumento significativo della temperatura nei vani dell'apparecchio.
  - Pulire regolarmente le superfici che possono venire a contatto con gli alimenti e i sistemi di scarico accessibili.
  - Pulire i serbatoi dell'acqua se non sono stati utilizzati per 48 ore; sciacquare il sistema idrico collegato alla rete idrica se l'acqua non è stata prelevata per 5 giorni.
  - Conservare la carne e il pesce crudi in contenitori adeguati nel frigorifero, in modo che non entrino in contatto con altri alimenti o gocciolino su di essi.
  - I vani congelatore a due stelle sono adatti per conservare alimenti precongelati, conservare o preparare gelati e cubetti di ghiaccio.
  - I vani a una, due e tre stelle non sono adatti per il congelamento di alimenti freschi.
13. Se l'apparecchio di refrigerazione rimane vuoto per lunghi periodi, spegnerlo, sbrinarlo, pulirlo, asciugarlo e lasciare la porta aperta per evitare la formazione di muffa all'interno dell'apparecchio.
14. Questo apparecchio di refrigerazione non è destinato ad essere utilizzato come apparecchio da incasso.
15. Questo apparecchio di refrigerazione è destinato ad essere utilizzato a temperature ambiente comprese tra 16 °C e 38 °C.
16. Questo congelatore è destinato all'uso domestico e in applicazioni simili, quali:
  - cucine per il personale in negozi, uffici e altri ambienti di lavoro;
  - agriturismi e da clienti in hotel, motel e altri ambienti di tipo residenziale;
  - ambienti di tipo bed and breakfast;
  - catering e applicazioni simili non al dettaglio.
17. Questo apparecchio è destinato all'uso domestico: non utilizzarlo all'aperto.
18. Quando si posiziona l'apparecchio, assicurarsi che vi sia uno spazio di 50-75 mm tra la parete e il frigorifero.
19. Quando non è in uso, prima di pulirlo e quando si montano o smontano parti, assicurarsi che l'apparecchio sia scollegato dalla presa di corrente.
20. Assicurarsi che l'apparecchio sia collegato saldamente alla presa di corrente durante l'uso.
21. Inserire la spina in una presa singola con messa a terra.
22. Non utilizzare mai l'apparecchio in prossimità di materiali combustibili e infiammabili.
23. Le riparazioni e le sostituzioni dell'apparecchio devono essere effettuate presso un centro di assistenza autorizzato.
24. Il motore è lubrificato in modo permanente e non richiede olio.

25. Assicurarsi che la spina sia accessibile quando si posiziona l'apparecchio.
26. Il refrigerante utilizzato nell'apparecchio e i materiali isolanti richiedono procedure di smaltimento speciali. Prima dello smaltimento, assicurarsi che nessuno dei tubi sul retro dell'unità sia danneggiato. Quando si smaltisce una vecchia unità, rompere eventuali vecchi lucchetti o chiusure e rimuovere le porte per motivi di sicurezza.
27. Per pulire l'apparecchio, utilizzare solo detergenti delicati o prodotti per la pulizia dei vetri. Non utilizzare mai detergenti aggressivi o solventi.
28. Si sconsiglia di utilizzare questo frigorifero con una prolunga o una ciabatta. Assicurarsi che l'apparecchio sia collegato direttamente alla presa elettrica.
29. Attendere che cibi o bevande caldi si raffreddino a temperatura ambiente prima di riporli nel frigorifero.
30. Chiudere immediatamente la porta dopo aver riposto gli alimenti nel frigorifero, per evitare che la temperatura aumenti drasticamente.
31. Tenere l'apparecchio lontano da fonti di calore e dalla luce solare diretta.
32. Posizionare l'apparecchio su una superficie piana e solida, non su materiali morbidi.
33. Non appoggiare oggetti sopra l'apparecchio e assicurarsi che il frigorifero non si bagni.
34. Per evitare scosse elettriche, non utilizzare mai l'apparecchio con le mani bagnate, stando in piedi su superfici bagnate o nell'acqua.
35. Non utilizzare mai all'aperto o in condizioni di umidità.
36. Quando si scollega l'unità, non tirare il cavo, ma afferrare la spina quando la si rimuove dalla presa.
37. Tenere il cavo lontano da superfici riscaldate.
38. Assicurarsi che la tensione dell'alimentazione elettrica della propria abitazione corrisponda alla tensione indicata sull'etichetta di classificazione dell'apparecchio.
39. Collegare il frigorifero a una presa elettrica indipendente e utilizzare un cavo di terra sicuro.
40. Quando si rimuove il ghiaccio dal congelatore, in caso di interruzione di corrente o quando il frigorifero non viene utilizzato, assicurarsi che l'apparecchio sia pulito per evitare la formazione di odori sgradevoli.
41. Assicurarsi che il congelatore venga sbrinato almeno una volta al mese: un eccesso di ghiaccio può danneggiare il sistema di refrigerazione.
42. In caso di interruzione di corrente, riaccendere l'apparecchio entro cinque minuti per evitare danni al compressore.
43. Assicurarsi che i bambini siano sorvegliati, in modo che non giochino con l'apparecchio.
44. Non utilizzare timer esterni o sistemi di controllo remoto separati per azionare questo apparecchio.
45. L'apparecchio è dotato di una spina con messa a terra. Assicurarsi che la presa a muro sia correttamente collegata a terra.

46. Controllare regolarmente il cavo di alimentazione per verificare che non presenti segni di danneggiamento. Se si riscontrano danni, non utilizzare l'apparecchio.
47. Smaltimento dell'apparecchio: i vecchi apparecchi hanno un certo valore residuo. Un metodo di smaltimento ecologico garantirà il recupero e il riutilizzo di materie prime preziose. Informazioni aggiornate sulle opzioni di smaltimento del vecchio apparecchio e dell'imballaggio sono disponibili presso il proprio comune di residenza.

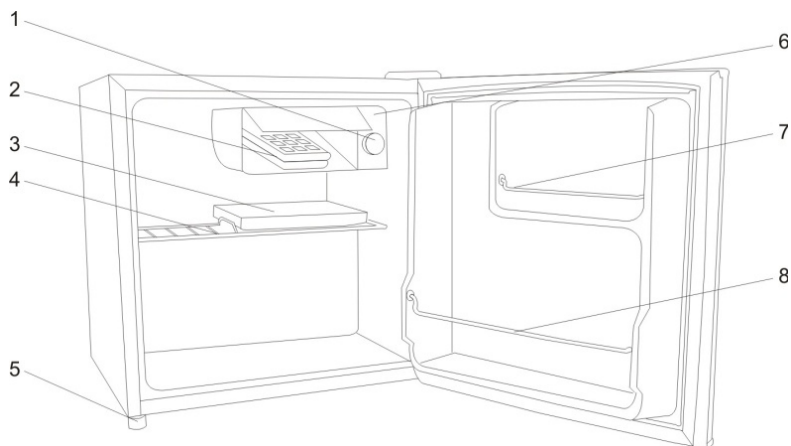
### SMALTIMENTO CORRETTO DI QUESTO PRODOTTO



I prodotti elettrici di scarto non devono essere smaltiti insieme ai rifiuti domestici. Si prega di riciclarli dove esistono strutture adeguate. Verificare con le autorità locali o il rivenditore per consigli sul riciclaggio.

**Dichiarazione di non responsabilità: non siamo responsabili per eventuali danni a questo frigorifero o incidenti derivanti dal mancato rispetto delle istruzioni contenute in questo manuale.**

### ILLUSTRAZIONE DELLA STRUTTURA



- |   |                                 |
|---|---------------------------------|
| 1. Manopola di controllo del termostato | 5. Piedino regolabile           |
| 2. Vassoio per cubetti di ghiaccio      | 6. Porta del vano refrigeratore |
| 3. Vassoio raccogliocce                 | 7. Ripiano piccolo              |
| 4. Ripiano rimovibile                   | 8. Ripiano inferiore            |

## TRASPORTO E MOVIMENTAZIONE

Quando si sposta l'apparecchio, afferrare la base e sollevare il frigorifero con cautela a un angolo inferiore a 45 gradi. Non afferrare mai la maniglia per sostenerlo. Non capovolgerlo né posizionarlo orizzontalmente.

## INSTALLAZIONE

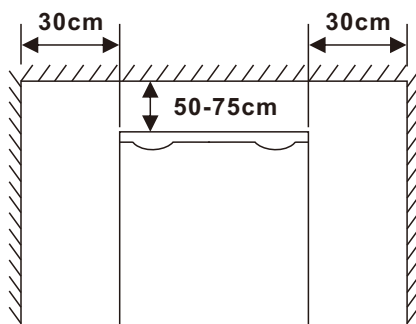
Per garantire la stabilità, l'apparecchio deve essere posizionato su una superficie piana e solida.

Durante l'installazione, tenere l'apparecchio lontano da fonti di calore e dalla luce solare diretta.

Posizionarlo in un luogo asciutto e ben ventilato.

Per migliorare l'efficienza di raffreddamento e risparmiare energia, è importante mantenere una buona ventilazione intorno all'apparecchio. A tal fine, assicurarsi che vi sia spazio sufficiente intorno al frigorifero.

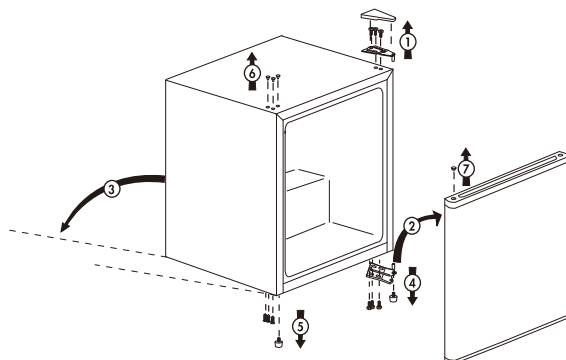
Posizionare l'apparecchio vicino a una parete, assicurandosi che la distanza sia compresa tra 50 e 75 mm.

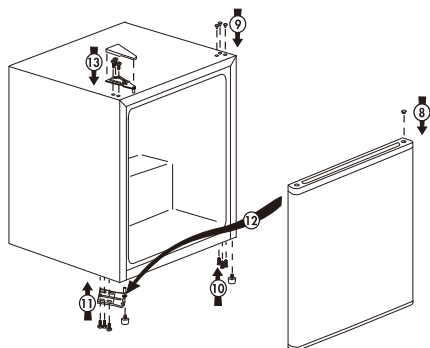


## Inversione dell'apertura della porta dell'apparecchio

Questo apparecchio ha la possibilità di aprire la porta sia dal lato sinistro che dal lato destro. L'unità viene consegnata con la porta che si apre dal lato sinistro.

Le seguenti immagini del frigorifero sono solo a titolo di riferimento.





## PRIMO UTILIZZO

Prima dell'uso, rimuovere tutto l'imballaggio, compresi il cuscino inferiore, i cuscinetti in schiuma e le cinghie di gomma dal frigorifero.

Regolare i piedini, quindi pulire l'interno e l'esterno del frigorifero con un panno morbido.

Una volta installato, attendere 2-6 ore prima di utilizzare l'apparecchio - non avviarlo immediatamente.

Per evitare di danneggiare il cavo di alimentazione, assicurarsi che non sia coperto dal frigorifero o da altri oggetti. Prima di accendere il frigorifero, assicurarsi che la tensione sia compatibile con l'alimentazione elettrica.

Dopo la prima installazione, lasciare che l'apparecchio raggiunga la normale temperatura di funzionamento prima di riempirlo con prodotti freschi o congelati: ciò potrebbe richiedere 2-3 ore.

## TEST

Pulire il frigorifero con un panno morbido e umido o con un detergente neutro e acqua pulita, quindi asciugare.

**Nota:** le parti elettriche possono essere pulite solo con un panno asciutto, non utilizzare acqua o altri liquidi.

Girare la manopola del termostato su "3" e accendere l'elettricità. Il compressore all'interno del frigorifero inizierà a funzionare.

Chiudere la porta e attendere 30 minuti: se la temperatura nel vano congelatore diminuisce rapidamente, significa che il sistema del frigorifero funziona correttamente.

Quando il frigorifero viene utilizzato per lunghi periodi, il controller imposta automaticamente la temperatura (ciò avviene solo se la porta non viene aperta frequentemente).

## CONTROLLO DELLA TEMPERATURA

Regolare la temperatura del frigorifero ruotando la manopola del termostato. Più si avvicina a "5", più bassa sarà la temperatura. Un'impostazione media è la più adatta per il funzionamento generale.

La temperatura varierà a seconda della quantità di alimenti conservati e della frequenza di apertura della porta. Per mantenere un raffreddamento efficiente e risparmiare energia, si sconsiglia di conservare molti alimenti e di tenere la porta chiusa quando possibile.

## CONSIGLI UTILI

I seguenti consigli vi aiuteranno a risparmiare energia.

- Non tenere la porta aperta per lunghi periodi.
- Tenere l'apparecchio lontano da tutte le fonti di calore (luce solare diretta, forni, fornelli, ecc.).
- Non impostare una temperatura più fredda del necessario.
- Non conservare cibi caldi o liquidi in evaporazione all'interno dell'apparecchio.
- Collocare l'apparecchio in un locale ben ventilato e privo di umidità. Fare riferimento al capitolo "Installazione del nuovo apparecchio".

### Consigli per la conservazione degli alimenti freschi

- Non riporre alimenti caldi direttamente nel frigorifero o nel congelatore: la temperatura interna aumenterà, costringendo il compressore a lavorare di più e consumando più energia.
- Coprire o avvolgere sempre gli alimenti, soprattutto se hanno un odore forte.
- Disporre correttamente gli alimenti all'interno del frigorifero, in modo che l'aria possa circolare liberamente intorno ad essi.

### Spegnimento dell'elettrodomestico

Se l'elettrodomestico deve essere spento per un periodo prolungato, è necessario adottare le seguenti misure per evitare la formazione di muffa al suo interno:

1. Rimuovere tutti gli alimenti.
2. Scollegare l'elettrodomestico dalla presa di corrente.
3. Pulire e asciugare accuratamente l'interno.
4. Assicurarsi che tutte le porte siano leggermente aperte per consentire la circolazione dell'aria.

## PULIZIA E MANUTENZIONE

Per motivi igienici, l'elettrodomestico (compresi l'interno e l'esterno) deve essere pulito almeno ogni due mesi.

**AVVERTENZA:** prima di procedere alla pulizia, assicurarsi che l'elettrodomestico sia spento e scollegato dalla rete elettrica.

### **Pulizia esterna**

- Per mantenere l'elettrodomestico in condizioni ottimali, assicurarsi di pulirlo regolarmente.
- Pulire il pannello digitale e il display con un panno morbido e pulito.
- Spruzzare l'acqua sul panno invece che direttamente sulla superficie dell'apparecchio.
- Pulire le porte, le maniglie e le superfici dell'armadio con un detergente delicato, quindi asciugare con un panno morbido.

### **Attenzione!**

- Non utilizzare oggetti appuntiti che potrebbero graffiare la superficie.
- Durante la pulizia, non utilizzare diluenti, detersivi per auto, candeggina, oli essenziali, detersivi abrasivi o solventi organici, come il benzene. Ciò potrebbe danneggiare la superficie.

### **Interior cleaning**

- L'interno deve essere pulito regolarmente. Pulire l'interno del frigorifero con una soluzione diluita di bicarbonato di sodio, quindi risciacquare con acqua utilizzando una spugna o un panno. Asciugare completamente prima di riposizionare i ripiani e i cestelli. Assicurarsi che tutte le superfici e le parti rimovibili siano completamente asciutte.

### **Attenzione!**

- Non utilizzare oggetti appuntiti per rimuovere il ghiaccio dal congelatore. Prima di collegare e accendere l'elettrodomestico, assicurarsi che l'interno sia completamente asciutto.

### **Pulizia delle guarnizioni delle porte**

Assicurarsi che le guarnizioni delle porte siano pulite. Residui di cibo e bevande appiccicosi possono far aderire la guarnizione al mobile, che può strapparsi all'apertura della porta. Lavare la guarnizione con un detergente delicato e acqua calda. Risciacquare e asciugare accuratamente dopo la pulizia.

### **Attenzione!**

- Accendere l'apparecchio solo dopo che le guarnizioni delle porte sono completamente asciutte.

## SPECIFICHE TECNICHE

Modello	800-155V90(BC-50)
Tensione nominale	220-240V~
Frequenza nominale	50Hz
Corrente di raffreddamento nominale	0.7A
Classe di protezione di sicurezza	I
Classe climatica	N/ST
Refrigerante/quantità	R600a/16g
Gas di espulsione	C <sub>5</sub> H <sub>10</sub>
Volume totale	46L
Consumo energetico di E32	0.359kWh/24h
Consumo energetico annuale	100 kWh/a
Peso netto	12.5 kg

**Classe climatica:**

- Temperatura estesa (SN): questo frigorifero è destinato all'uso a una temperatura ambiente compresa tra 10 e 32 °C.
- Temperatura (N): questo frigorifero è destinato all'uso a una temperatura ambiente compresa tra 16 e 32 °C.
- Subtropicale (ST): questo frigorifero è destinato all'uso a una temperatura ambiente compresa tra 16 e 38 °C.
- Tropicale (T): questo frigorifero è progettato per essere utilizzato a una temperatura ambiente compresa tra 16 e 43 °C.

**Nota:** per ulteriori informazioni, scansionare il codice QR sull'etichetta energetica.

## RISOLUZIONE DEI PROBLEMI

Alcuni guasti sono facili da risolvere: prima di contattare il servizio clienti, verificare se nella tabella sottostante è riportata una soluzione.

Sintomo	Causa	Soluzione
L'apparecchio non funziona.	Non c'è alimentazione elettrica.	Assicurarsi che sia collegato correttamente. L'interruttore automatico è scattato o il fusibile è danneggiato. Verificare se la presa è alimentata collegando un altro dispositivo elettrico.
	Il fusibile non funziona.	Sostituire il fusibile.
L'apparecchio è molto rumoroso.	L'apparecchio è troppo vicino alla parete, non è stabile o gli alimenti all'interno del frigorifero non sono conservati correttamente.	Regola i piedini del frigorifero, assicurandoti che sia ben bilanciato e stabile. Assicurati che non sia troppo vicino alla parete e che tutti gli alimenti siano posizionati correttamente all'interno.
L'apparecchio non raffredda a sufficienza.	La porta è stata aperta frequentemente o è rimasta aperta per lunghi periodi.	Assicurati che la porta sia chiusa e non venga aperta frequentemente.
	Il frigorifero è troppo vicino alla parete.	Assicurati che ci sia spazio sufficiente tra il frigorifero e la parete.
	Il frigorifero è troppo pieno.	Rimuovi gli alimenti dall'apparecchio.
	La temperatura non è regolata correttamente.	Imposta la temperatura su "3" o più.
Dall'apparecchio provengono cattivi odori.	Alimenti scaduti ancora presenti nel frigorifero.	Getta via tutti gli alimenti scaduti.
	L'interno del frigorifero deve essere pulito.	Pulire l'interno del frigorifero.

### I seguenti sintomi non sono difetti:

- È possibile sentire il liquido di raffreddamento circolare nei tubi: questo è normale.
- Il compressore e il condensatore potrebbero essere caldi durante i periodi di forte calore.
- Il telaio della porta è caldo, il che significa che il condensatore sta funzionando per rilasciare l'umidità.

**UK**

If you have any questions, please contact our customer care center.

Our contact details are below:



0044-800-240-4004



enquiries@mhstar.co.uk

IMPORTER ADDRESS:

MH STAR UK LTD  
Unit 27, Perivale Park,  
Horsenden lane South  
Perivale, UB6 7RH  
MADE IN CHINA

**ES**

Si tiene alguna pregunta, comuníquese con nuestro Centro de Atención al Cliente. Nuestros datos de contacto son los siguientes:



0034-931294512



atencioncliente@aosom.es

Importador/Fabricante/REP:

Spanish Aosom, S.L.  
C/ Roc Gros, N° 15. 08550, Els Hostalets de  
Balenyà, Spain.  
B66295775  
atencioncliente@aosom.es  
TEL: 931294512  
HECHO EN CHINA

**FR**

Si vous avez la moindre question, veuillez contacter notre centre d'assistance à la clientèle.

Nos coordonnées sont les suivantes:



0033-1-84166106



aosom@mhfrance.fr

Importé par/Fabricant/REP:

MH France  
2,rue Maurice Hartmann  
92130Issy-les-Moulineaux  
France  
Fabriqué en Chine

**PT**

Se tiver alguma dúvida, por favor contacte o nosso Centro de Atendimento ao Cliente. Os nossos dados de contacto são os seguintes:



0034-931294512



info@aosom.pt.

IMPORTADOR:

SPANISH AOSOM, S.L  
C.ROC GROS N.15, 08550. ELS HOSTALETS DE BALENYÀ  
TEL: 931294512 (SEG-SEX DAS 7:30H ÀS 16:30H)  
INFO@AOSOM.PT  
WWW.AOSOM.PT

**DE**

Wenn Sie Fragen haben, wenden Sie sich bitte an unser Kundendienstzentrum.

Unsere Kontaktdaten stehen unten:



+49 40 87408465



service@aosom.de

Importeur/Hersteller/REP:

MH Handel GmbH  
Wendenstraße 309  
D-20537 Hamburg  
Germany  
IN CHINA HERGESTELLT

**IT**

In caso di dubbio, si prega di contattare il nostro centro assistenza clienti. I nostri dettagli di contatto sono di seguito:



0039-0249471447



clienti@aosom.it

IMPORTATO DA/Produttore/REP:

AOSOM Italy srl  
Centro Direzionale Milanofiori  
Strada 1 Palazzo F1  
20057 Assago (MI)  
P.I.: 08567220960  
FATTO IN CINA



FR

Cet appareil,  
ses accessoires,  
cordons et batteries  
se recyclent

REPRISE  
À LA LIVRAISON



OU

À DÉPOSER  
EN MAGASIN



OU

À DÉPOSER  
EN DÉCHÈTERIE



Points de collecte sur [www.quefairedelesdechets.fr](http://www.quefairedelesdechets.fr)  
Privilégiez la réparation ou le don de votre appareil !