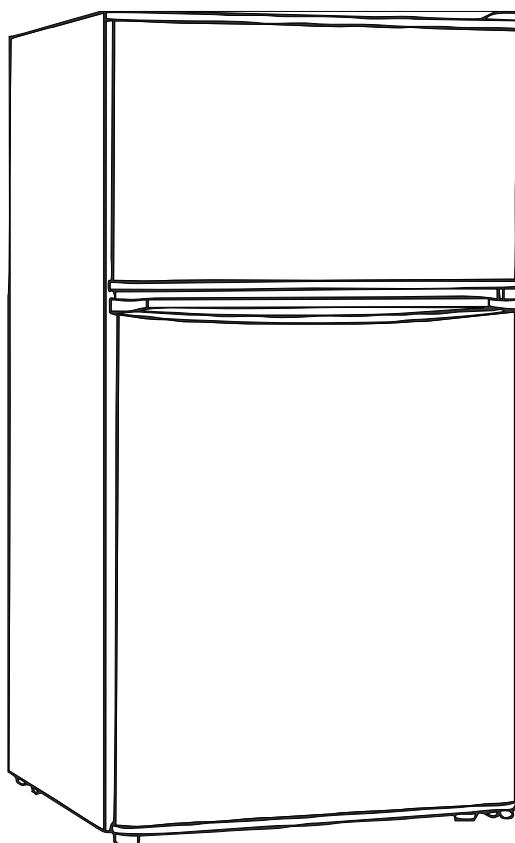




IN230900052V02\_UK\_FR\_DE\_IT\_ES

800-128V71\_800-128V70  
800-128V90\_800-128V91



**REFRIGERATOR FREEZER**  
**/ RÉFRIGÉRATEUR CONGÉLATEUR**  
**/KÜHLSCHRANK MIT GEFRIERFACH**  
**/FRIGORÍFICO CONGELADOR**  
**/FRIGORÍFICO CONGELADOR**  
**/FRIGORIFERO CONGELATORE**



**EN\_IMPORTANT, RETAIN FOR FUTURE REFERENCE: READ CAREFULLY.**

**FR\_IMPORTANT : A LIRE ATTENTIVEMEN ET A CONSERVER POUR VOUS Y REFERER  
ULTERIEUREMENT**

**ES\_IMPORTANTE, LEA Y GUARDE PARA FUTURAS REFERENCIAS.**

**PT\_IMPORTANTE, RETAR PARA REFERÉNCIA FUTURA: LEIA ATENTAMENTE.**

**DE\_WICHTIG! SORGFÄLTIG LESEN UND FÜR SPÄTER NACHSCHLAGEN AUFBEWAHREN.**

**IT\_IMPORTANTE! CONSERVARE IL PRESENTE MANUALE PER FUTURO RIFERIMENTO E  
LEggerlo ATTENTAMENTE.**

# CONTENTS

<b>SAFETY INFORMATION</b> .....	<b>3</b>
<b>PARTS &amp; FEATURES</b> .....	<b>4</b>
<b>USING OFFREEZER CHAMBERAND COLD-STORING CHAMBER</b> .....	<b>5</b>
<b>DEFROSTING</b> .....	<b>7</b>
<b>FIXING AND MOVING</b> .....	<b>8</b>
<b>CLEANING AND MAINTENANCE</b> .....	<b>9</b>
<b>STOP USING</b> .....	<b>10</b>
<b>TROUBLESHOOTING</b> .....	<b>10</b>
<b>SPECIFICATIONS</b> .....	<b>11</b>
<b>DISPOASL</b> .....	<b>12</b>



**NOTE: If the refrigerator/freezer has been placed in a horizontal or tilted position for any period of time, wait 24 hours before plugging the unit in.**

## **SAFETY INFORMATION**

### **Warning and safety instructions**

- Please read operating instructions carefully before using the refrigerator.
- Please keep your instructions for reference in the future.
- Owing to update of product incessantly, product what you buy may be not completely comported with the instructions. However, it does not cover performance of refrigerator and operation.
- The instructions provided must be strictly observed when setting up, operating and servicing the refrigerator.
- The manufacturer is not responsible for any accidents or damage caused by disregard of the following rules:

### **WARNING AND SAFETY PRECAUTIONS:**

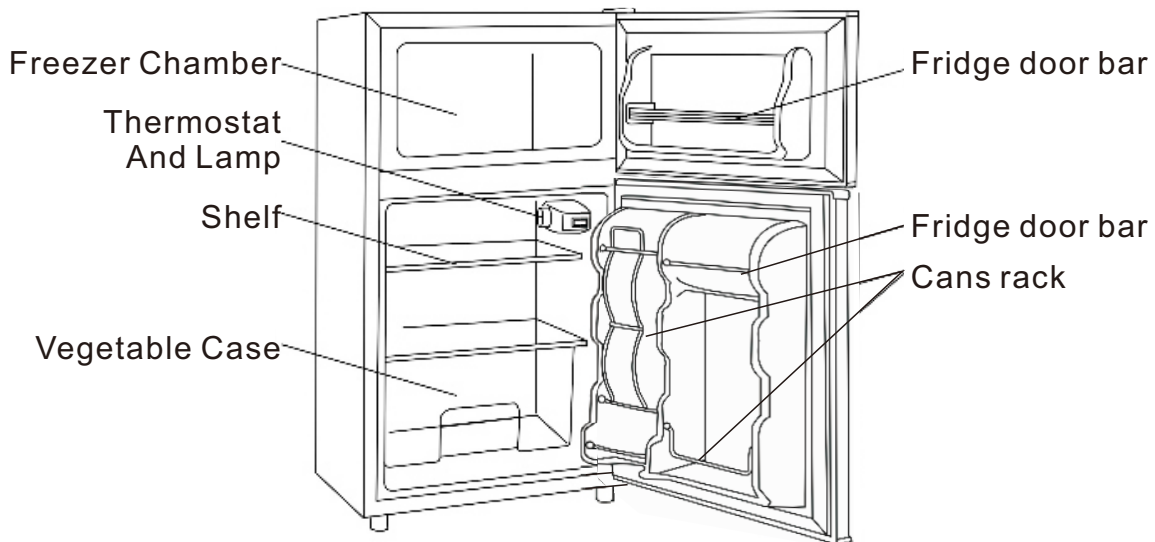
- Using power supply of the refrigerator must agree with the indicated power supply in the nameplate. Otherwise it will damage the refrigerator, for the damage and breakdown; the manufacture does not undertake charge free maintenance in despite of the protected time.
- Installation and connection of the refrigerator must be carried out exactly according to the instructions provided by the manual. Connection parts must be in accordance with the specifications stated on the identification plaque.
- If the supply cord is damaged, it must be replaced by the manufacturer or its service agent or a similarity qualified person in order to avoid a hazard.
- Do not damage the refrigerator circuit.
- Electrical safety is only guaranteed when the refrigerator is connected to a properly wired, earthed electricity supply.
- In order to ensure operation normally of the refrigerator, by the long-distance moving, it must wait for 1/2-1 hour or so, then turn on it.
- After electricity failure, wait for more than 5 minutes before you turn on your refrigerator again, or the compressor may be damaged.
- Do not place or use anything flammable , such as gas containers, petrol. or other such substance near the refrigerator due to fire risk, High-proof alcohol must be stored in tightly sealed bottles or other containers and should always be placed in an upright position. Never store explosive substances in the refrigerator.
- Do not store full, sealed, glass bottles in freezer, as they will burst upon freezing.
- Do not locate the refrigerator in a damp or wet environment. Or in a position where it is likely to get splashed. Such an environment would weaken the electrical insulation or expose live wires while live wires are dangerous and may cause an electric shock or fire.
- Children should not be left unsupervised with the refrigerator.

- The refrigerator must be disconnected from the electricity in case of breakdown or when cleaning and repairing.
- To remove the plug from the socket, grasp the plug firmly and pull it out. Do not pull at the cable. Do not connect the machine to electrical outlets while your hands are wet or damp.
- Do not step on or lean against the cooler or freezer door, or the base cover of the refrigerator.
- To prevent frostbite, do not touch with bare skin or eat anything that has been directly removed from the freezer.
- If a gas leak is discovered in the same room as the refrigerator, turn off the gas supply. Do not open the refrigerator door and do not remove the plug from the main electricity supply. A small spark resulting from such actions could cause a gas explosion. Open all of the doors and windows in the room to disperse the gas.

### REGULATIONS:

This refrigerator is solely for the purpose of refrigerator, freezing and storing food and for making ice and must not be used for any other purpose

### PARTS & FEATURES



**Notice:** The inside accessory is different for each model refrigerator.

## Using of freezer chamber and cold-storing chamber

**FREEZER CHAMBER:** A chamber for freezing food or storing refrigerator food and making a small quantity of ice.

### NOTICE:

- When buying ready-frozen food, the following precautions should be observed:
  1. Check that the packaging is in tact.
  2. Make sure that the products have not exceeded their expiry date.
  3. Check that the thermometer of the freezer where the food is being bought is indicating a temperature at or below  $-0.4^{\circ}\text{F}$ .
  4. Once bought frozen foods should be exposed to as little heat as possible and should be placed in the home freezer as quickly as possible.
- Before hot food or hot beverage put into the chamber, it must be cooled according to indoor temperature.
- Before freezing pack the food in tightly sealed containers or bags so that it does not lose its taste, color or nutritional value and so that it does not dry out.
  1. The following are suitable packing materials: polyethylene bags, aluminum foil and freezing-proof container. All of these materials are available at department stores or stores that specialize in this line of business.
  2. The following are unsuitable packing materials: wrapping paper, vellum paper, cellophane, rubbish bags and used shopping bags.
  3. If possible, eliminate the air from the packing container.
  4. Before placing wrapped food in the freezer mark the date that the food is being placed in the freezer and also mark the contents. For all types of food can be stored frozen, before it starts to deteriorate.
- When a power cut occurs, the doors of the refrigerator should be open as less as possible. Avoid putting new food into the cooler or freezer as this will cause the temperature to rise at a faster rate.
- Do not handle frozen food, nor take them directly from the freezer with wet hands, as wet hands adhere to frozen food.

### ICE TRAY:

Fill the ice-tray three quarters full of water and place it in the freezer. Ice cubes can be easily removed from the ice-tray by slightly twisting it.

- **Notice:** Use cool boiled water to make ice cubes.
- Don't bend ice tray so as not to break the tray.
- Don't make ice with other container lest damage it.



**COLD-STORING CHAMBER:** A chamber for not freezing food and beverage

The temperature of the cooler can only slow down the growth rate of bacteria to a certain degree and therefore it is only suitable for short-term storage of food.

The following foods are suitable for storage in the cooler: eggs, butter, cheese, milk, bottled drinks, tinned food, glazed fruit, fresh sauce, bread, cooked food, meat, fish, fruit and vegetables, etc.

**When storing food in the refrigerator, the following instructions are to be observed:**

- Seal or well cover food before placing it in the refrigerator, This will prevent it from drying out and will keep it fresh for longer time, help it retain its color, nutrition and flavors. Sealing or well covering all of the food in the refrigerator will prevent cross tasting and being air-dried.
- Wash and dry vegetables and fruit, etc. before storage.
- Allow food to cool before placing it in the refrigerator.
- The top of cooler has lowest temperature and it is the area where food is cooled down most fast.
- Fruit and vegetables should be placed in the vegetable basket.
- Keep a space between all of the foods to allow for good ventilation and an even temperature.
- Avoid butter and cooking oil contacting with the plastic parts inside the cooler and with the inner liner.
- Drinks should be tightly sealed and bottle placed upright.
- Only open the cooler door for a minimum amount of time to prevent cold air leakage.

**VEGETABLE DRAWER:** The casement for reserving vegetable and fruit.

**VEGETABLE DRAWER COVER:** The cover for controlling temperature of vegetable, fruit and preventing dehydration of vegetable fruit The cover can also be used as a plate.

BE CAREFUL WHEN CLEANING GLASS TO PREVENT THE GLASS FROM BREAKING.

**SHELF:** Tins, bottles or beers can be laid reposefully in the groove of intelli-plate, The bottles plate can be moved smoothly on the glass plate according to your needs. If you don't need to use it, it can be removed.

**KNOB OF TEMPERATURE REGULATOR (AS CHART):**

The knob is applied to regulate the temperature of the refrigerator. The figure of knob does not mean specific temperature number. The compressor will not operate in position "0". The bigger figure, the lower inside temperature. In general, it is applicable that the switch set to middle position.

**NOTICE:**

- The temperature of the freezer may sometimes appear too high. This is either because a large amount of food is stored in the refrigerator or freezer door is opened frequently, Normally it will go back to natural status within 24 hours.
- In order to keep food fresh and to save cost, the setting of temperature in freezer should be from  $-0.4^{\circ}\text{F}$  to  $-4^{\circ}\text{F}$  under a normal room temperature. Frequent changes should be avoided once the setting is done.
- In summer when there is a higher room temperature the damper thermostats of cooler could be turned to position 3. In winter when there is lower than room temperature the damper thermostats of cooler could be turned to position 1.

**INNER LAMP:**

Technical data: 220-240V/50Hz, 10W

Controlled by the door switch: When open the door, light will turn on, otherwise put down

Lamp Cover

Knob Of Temperature Regulator

**DEFROSTING**

Water contained in food or getting into air inside the refrigerator by opening doors may form a layer of frost inside. It will weaken the refrigeration and waste energy.

Defrost your refrigerator when frost thickness is between 4mm and 6mm.

**FREEZER CHAMBER DEFROSTING**

Defrosting in freezer chamber is operated manually. Before defrosting, take out food or put into the cold storing temperature temporarily, then set the knob of the temperature regulator to position "0" where the compressor will stop working and leave the open until ice and frost dissolve thoroughly, wipe off the water with soft cloth. You may be sure to set the knob to original position after defrosting.

**WARNING:**

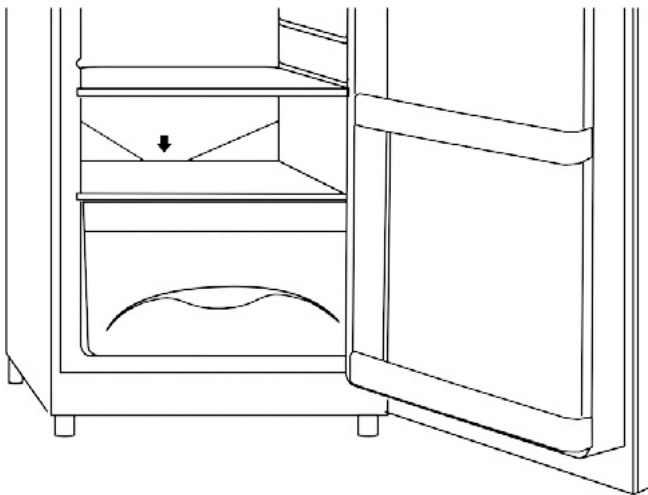
It's also inadvisable to scrape ice and frost with apparatus, such as sharp tool, wooden bars etc, or with mechanical devices or other manual means, such as hot water, heating container etc, other than those recommended by the manufacturee, so as not to damage the inner casing or the surface of the evaporator.

**COLD-STORING CHAMBER DEFROSTING**

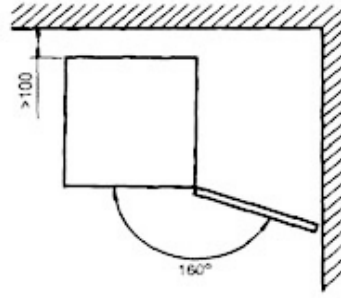
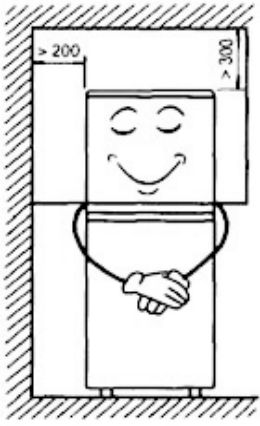
It is automatic that cold-storing chamber does not need the defrosting operation. Water from defrosting will be drained into container located in the top of compressor through a drainpipes of the refrigerator back and evaporate automatically, (As chart)

**NOTICE:**

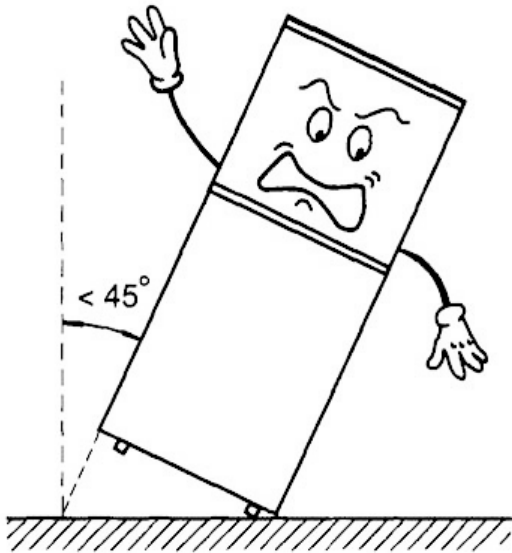
Be sure to keep the drain hole unblocked, If blocked, you may canal the eyelet with sharp wooden bars.

**FIXING AND MOVING**

1. The refrigerator should be laid at solid level place, The two fronts should be adjusted to make the refrigerator stable. The legs should be fully contacted with the ground to avoid vibration and noise.
2. Do not place the refrigerator near a heat source or expose it to direct sunlight. If the refrigerator is placed near a heat source an insulation plate must be used and the following minimum distance between the refrigerator and the source of heat must be observed:
  - 30cm from another electrical appliance not used for cooking
  - 30cm from a stove or other cooking facility
3. The refrigerator should be placed in a dry and well-ventilated room. A distance of over 100mm from wall, 300mm from the top and 200mm from both sides of the refrigerator should be kept for proper air circulation. The ventilation inlet and outlet grills and other airways must never be covered. And a clear space should be left to open its doors to 160°(As chart)



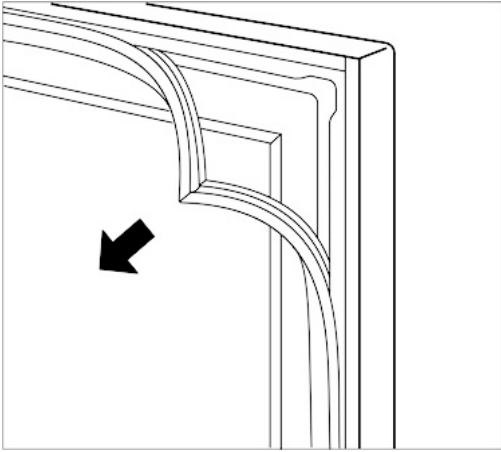
4. When fixing refrigerator, the foaming package should be cancelled. (including the foaming bottom)
5. When moved, the refrigerator cannot be declined to bigger than  $45^\circ$  or upside down. (As chart)



## CLEANING AND MAINTENANCE

The refrigerator should be cleaned once a month.

1. Before cleaning, disconnect the refrigerator from the power supply.
2. Whilst cleaning do not allow water to get into the inside light.
3. Wipe the inner and outer surface of the refrigerator and its accessories with wet cloth. If they are too dirty, scrub them with neutral detergent.
4. Some accessories must be cleaned, such as egg-shelf, tray, vegetable cover etc.
5. Lukewarm water with a little detergent or mild disinfectant is suitable for cleaning the whole refrigerator except for the door sealing, Clean the door sealing with clean water only and then rub it dry thoroughly. (They are cleaned by directly dismantled from the door for parts of product) (As chart)



6. The compressor located in refrigerator's back should be cleaned once a year at least. Dusted off the compressor with brush, There is dust in outer surface of compressor; it will enhance volume of power consumption.
7. Cleaning agents containing abrasives or acids must not be used, And the following substance does not be used either: alkaloids, soap, abrasive, hot water, brush, banana, oil, petrol, high-proof alcohol etc.

## STOP USING

1. When stop using, please switch off the refrigerator by directly disconnecting the plug from the electrical supply.
2. If you have decided to cease using the refrigerator for some time, please do as follows: First switch off the refrigerator, then clean inside and leave the door open slightly to ventilate.

**NOTE:** Stopping use often will decrease the life of the refrigerator.

## TROUBLESHOOTING

Not every problem is serious enough to warrant calling sales service staff. Before calling for help, please check if the problem can be solved with the aid of the following tips.

- **Unusual noises:**

1. Check if the refrigerator is standing firmly on level ground, and if the fixtures are all secure. Also, the pipes at the lower back of the refrigerator should not be touching each other, and the compressor should not be in contact with other objects.

- **No cooling:**

Check the power supply for power cut; burnt-out fuse; plug not fitting in the socket or wrong Voltage.

- **Lamp not working:**

The lamp may have burnt out. If this happened replace it with a 10W/115V lamp.

- **Deterioration of cooling performance:**

Check that the setting on the thermostat knob is not too warm, that the door is closed properly, that thick layers of ice have not built up in the freezer, that the door isn't being opened too frequently, that too much food hasn't been placed in the refrigerator or that food which is too warm is not being placed in the refrigerator.

- **Stop working:**

Check if there is a power failure, power voltage is low excessively, power plug make contact well and temperature regulator points to position "0".

- **Food frozen in cold-storing chamber:**

Check if the temperature control dial may set too big, and if the stowed food contact with the cold source of cabinet back.

- **The water overflowed after defrosting:**

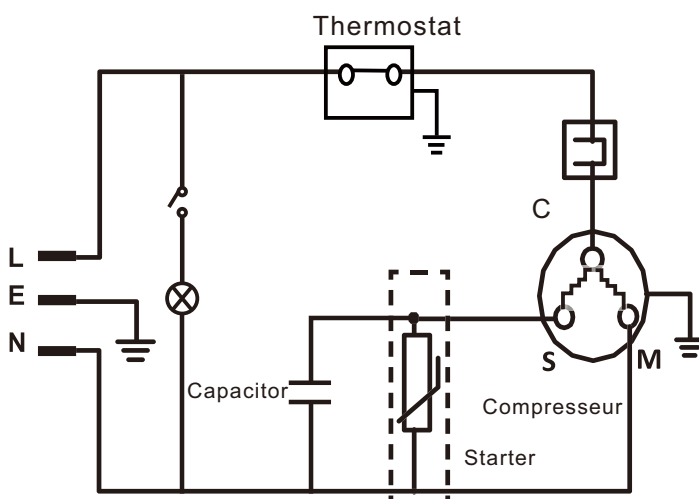
Check that the drain hole is not blocked, and the drain pan is fixed properly.

- **Normal phenomena:**

1. Dew may appear on the exterior of the refrigerator if the external humidity is high. This can be wiped dry.
2. The area where the door seal sticks to the refrigerator may be warm. This is caused by the heating device to avoid dew and frost.
3. A bubbling/ rattling noise sometimes could be heard. This is due to refrigerant flowing in the cooling pipe or because the refrigerator is in start-up or closing mode.
4. The temperature of the compressor can reach 176°F

## SPECIFICATIONS

### CIRCUIT DIAGRAM



**Note: Specifications subject to change without notice.**

**ELECTRIC PARAMETER**

Model	800-128V70_800-128V71
Rated voltage	220-240V~
Rated frequency	50Hz
Rated cooling current	1.0A
Lamp Power: 10W for incandescent lamp or 1W for LEDlamp	
Protection class	I
Climate class	N, ST, T
Refrigerant	R600a/36g
Blowing gas	C <sub>5</sub> H <sub>10</sub>
Rating	60W
Total Volume	88L
Fresh Food Compartment Volume	63L
3-star Compartment Volume:	25L
Energy Consumption af E32	0.60kWh/24h
Annual Energy Consumption.	167kWh/a
Temperature Rise.	9Hour
Energy Efficiency	E

**DISPOSAL**

The cabinet of appliance is formed by cyclopentane. Old appliance contains harmful materials and should be disposed of with bulk refuse.



1. Remove the spring-action or bolt catch from the appliance or render it unusable so that children cannot become trapped inside and suffocate.
2. Ensure that the refrigerant circuit is not damaged before the appliance that is no longer needed is taken away for disposal. In this way the refrigerant will not escape into the environment.

Information concerning the refrigerant and insulating materials used can be found on the type plate and disposal instructions on the appliance.

Information on collection dates or collection points can be obtained from the waste disposal authorities or your local council.

**NOTICE**

This appliance is not intended for use by persons (including children) with reduced physical, sensory or mental capabilities, or lack of experience and knowledge, unless they have been given supervision or instruction concerning use of the appliance by a person responsible for their safety.

Children should be supervised to ensure that they do not play with the appliance. House hold used only.

**The supplier reserves the right to make ELECTRICAL, TECHNICAL and AESTHETIC changes to the devices and/or replace parts without prior notice to always offer more reliable, durable and advanced technology. The supplier would like to apologize for any possible printing errors.**

# CONTENTS

INFORMATIONS RELATIVES À LA SÉCURITÉ.....	15
PIÈCES ET CARACTÉRISTIQUES.....	16
USAGE DES COMPARTIMENTS CONGÉLATEUR ET FRIGORIFIQUE..	17
DÉGIVRAGE.....	20
POSE ET DÉPLACEMENT.....	21
NETTOYAGE ET ENTRETIEN.....	22
ARRÊT D'UTILISATION.....	23
DÉPANNAGE.....	24
CARACTÉRISTIQUES TECHNIQUES.....	25
ÉLIMINATION.....	26



**REMARQUE :** Il est recommandé d'attendre 24 heures avant de brancher le réfrigérateur/congélateur si celui-ci a été placé en position horizontale ou inclinée pendant un certain temps.

## INFORMATIONS RELATIVES À LA SÉCURITÉ

### Avertissement et consignes de sécurité

- Veuillez Lire Attentivement Les Instructions d'Utilisation Avant De Faire Fonctionner Le Réfrigérateur.
- Veuillez Conserver Ces Instructions Pour Vous y Référer à l'Avenir.
- En Raison Des Mises à Jour Incessantes Du Produit, Il Se Peut Que Le Produit Que Vous Achetez Ne Soit Pas Entièrement Conforme Aux Instructions. Cependant, Cela n'Affecte Pas Les Performances Du Réfrigérateur Et Son Fonctionnement.
- Les Instructions Présentées Doivent Être Strictement Observées Lors De l'installation. Du Fonctionnement Et De l'Entretien Du Réfrigérateur.
- Le Fabricant Décline Toute Responsabilité Pour Tout Accident Ou Dommage Dus Au Non-Respect Des Règles Suivantes :

### AVERTISSEMENT ET MESURES DE SECURITÉ:

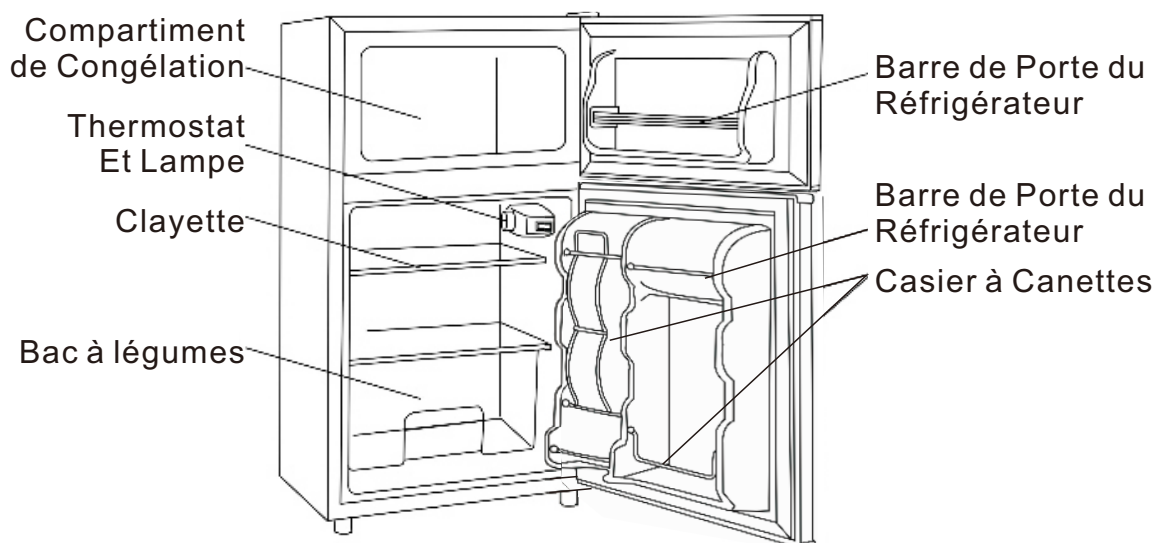
- L'alimentation électrique qui est utilisé pour le réfrigérateur doit correspondre à l'alimentation indiquée sur la plaque signalétique. Dans le cas contraire, cela endommagera le réfrigérateur, pour les dommages et les pannes ; le fabricant se désengage de l'entretien gratuit en dépit de la période de garantie.
- L'installation et le raccordement du réfrigérateur doivent être effectués exactement selon les instructions fournies par le manuel. Les pièces de raccordement doivent être conformes aux spécifications indiquées sur la plaque d'identification.
- Si le cordon d'alimentation est endommagé, il doit être remplacé par le fabricant, son agent de service ou une personne qualifiée similaire afin d'éviter tout risque.
- Le circuit du réfrigérateur ne doit pas être endommagé.
- La sécurité électrique n'est garantie que si le réfrigérateur est connecté à un réseau électrique câblé et mis à la terre.
- Afin d'assurer le fonctionnement normal du réfrigérateur, après un déplacement sur une longue distance, il faut attendre environ 1/2 à 1 heure avant de le mettre en marche.
- Après une panne de courant, attendez plus de 5 minutes avant de rallumer le réfrigérateur, sinon le compresseur risque d'être endommagé.
- Ne conservez pas et n'utilisez pas d'objets inflammables, tels que des bouteilles de gaz, de l'essence ou d'autres substances à proximité du réfrigérateur en raison du risque d'incendie. L'alcool à haut degré de pureté doit être conservé dans des bouteilles ou autres récipients hermétiquement fermés et doit toujours être placé en position verticale. Ne jamais ranger de substances explosives dans le réfrigérateur.
- Ne gardez pas de bouteilles en verre pleines et scellées dans le congélateur, car elles éclateront à la congélation.

- Ne pas installer le réfrigérateur dans un environnement humide ou mouillé, ni dans un endroit où il risque d'être éclaboussé. Un tel environnement affaiblirait l'isolation électrique ou exposerait des fils sous tension, or les fils sous tension sont dangereux et peuvent provoquer un choc électrique ou un incendie.
- Les enfants ne doivent pas être laissés sans surveillance avec le réfrigérateur.
- Le réfrigérateur doit être débranché du réseau en cas de panne ou lors du nettoyage et de la réparation.
- Pour retirer la fiche de la prise, saisissez-la fermement et tirez-la. Ne tirez pas sur le câble. Ne raccordez pas la machine aux prises électriques les mains mouillées ou humides.
- Ne marchez pas et ne vous appuyez pas contre la porte du réfrigérateur ou du congélateur, ni sur le couvercle de la base du réfrigérateur.
- Pour éviter les gelures, ne touchez pas le réfrigérateur la peau nue et ne mangez pas d'aliments qui ont été directement retirés du congélateur.
- Si vous découvrez une fuite de gaz dans la même pièce que le réfrigérateur, coupez l'alimentation en gaz. N'ouvrez pas la porte du réfrigérateur et ne retirez pas la fiche de l'alimentation électrique principale. Une petite étincelle résultant de ces actions pourrait provoquer une explosion de gaz. Ouvrez toutes les portes et fenêtres de la pièce pour disperser le gaz).

### RÈGLES :

Ce réfrigérateur est uniquement destiné à réfrigérer, congeler et conserver des aliments et à fabriquer de la glace et ne doit pas être utilisé à d'autres fins.

## PIÈCES ET CARACTÉRISTIQUES



**Remarque:** L'accessoire intérieur est différent pour chaque modèle de réfrigérateur.

## USAGE DES COMPARTIMENTS CONGÉLATEUR ET FRIGORIFIQUE

**COMPARTIMENT CONGÉLATEUR** : Un compartiment pour congeler des aliments ou stocker des aliments réfrigérés et produire une petite quantité de glace.

### AVIS:

- Lorsque vous achetez des aliments prêts à être congelés, les précautions suivantes doivent être prises :
  1. Vérifiez que l'emballage est intact.
  2. S'assurer que les produits n'ont pas dépassé leur date de péremption.
  3. Vérifiez que le thermomètre du congélateur où les aliments sont achetés indique une température égale ou inférieure à  $-0.4^{\circ}\text{F}$  . .
  4. Une fois achetés, les aliments surgelés doivent être exposés à la chaleur le moins possible et doivent être placés dans le congélateur domestique le plus rapidement possible.
- Avant de mettre des aliments ou des boissons chaudes dans le compartiment, il faut les refroidir selon la température intérieure.
- Avant la congélation, emballez les aliments dans des récipients ou des sacs hermétiquement fermés afin qu'ils ne perdent pas leur goût, leur couleur ou leur valeur nutritive et qu'ils ne se dessèchent pas.
  1. Les matériaux d'emballage suivants sont appropriés : sacs en polyéthylène, papier d'aluminium et conteneur résistant à la congélation. Tous ces matériaux sont disponibles dans les grands magasins ou les magasins spécialisés dans le domaine.
  2. Les matériaux d'emballage suivants ne sont pas appropriés : papier d'emballage, papier vélin, cellophane, sacs poubelle et sacs à provisions usagés.
  3. Si possible, éliminez l'air du récipient d'emballage.
  4. Avant de placer les aliments emballés dans le congélateur, marquez la date à laquelle les aliments sont placés dans le congélateur et marquez également le contenu. Tous les types d'aliments peuvent être conservés congelés, avant qu'ils ne commencent à se détériorer.
- En cas de coupure de courant, les portes du réfrigérateur doivent être ouvertes le moins possible. Évitez de mettre de nouveaux aliments dans le réfrigérateur ou le congélateur, car cela ferait monter la température plus rapidement.
- Ne manipulez pas les aliments congelés et ne les sortez pas directement du congélateur avec des mains mouillées, car celles-ci pourraient se coller aux aliments congelés.

### BAC À GLAÇONS

Remplissez le bac à glaçons aux trois quarts d'eau et placez-le dans le congélateur. Les glaçons peuvent être facilement retirés du bac à glace en le tournant légèrement.

- **Remarque :** Utilisez de l'eau bouillie fraîche pour faire des glaçons.
- Ne pliez pas le bac à glaçons afin de ne pas le casser.
- Ne faites pas de glace avec un autre récipient au risque de l'endommager.



**COMPARTIMENT FRIGORIFIQUE :** Un compartiment pour ne pas congeler les aliments et les boissons.

La température du compartiment réfrigéré ne peut ralentir la croissance des bactéries que jusqu'à un certain point et ne convient donc qu'à la conservation à court terme des aliments.

Les aliments suivants peuvent être conservés dans le compartiment réfrigéré : œufs, beurre, fromage, lait, boissons en bouteille, conserves, fruits glacés, sauce fraîche, pain, aliments cuits, viande, poisson, fruits et légumes, etc.

**Lors de la conservation des aliments dans le réfrigérateur, il convient d'observer les consignes suivantes :**

- Seal or well cover food before placing it in the refrigerator, This will prevent it from drying out and will keep it fresh for longer time, help it retain it's color, nutrition and flavors. Sealing or well covering all of the food in the refrigerator will prevent cross tasting and being air-dried.
- Scellez ou couvrez bien les aliments avant de les placer dans le réfrigérateur. Cela évitera qu'ils ne se dessèchent, les gardera frais plus longtemps et leur permettra de conserver leur couleur, leur valeur nutritive et leur saveur. Scellez ou couvrez bien tous les aliments dans le réfrigérateur afin d'éviter le goût croisé et le séchage à l'air.
- Lavez et séchez les légumes, les fruits, etc. avant de les conserver.
- Laissez refroidir les aliments avant de les placer dans le réfrigérateur.
- Le haut du réfrigérateur a la température la plus basse et c'est l'endroit où les aliments sont refroidis le plus rapidement.
- Les fruits et légumes doivent être placés dans le bac à légumes.
- Gardez un espace entre tous les aliments pour permettre une bonne ventilation et une température uniforme.
- Évitez que le beurre et l'huile de cuisson n'entrent en contact avec les parties en plastique du compartiment réfrigéré et avec le revêtement intérieur.
- Les boissons doivent être hermétiquement fermées et les bouteilles placées à l'averticale.
- N'ouvrez la porte de la glacière que pendant un minimum de temps pour éviter les fuites d'air froid.

**BAC À LÉGUMES:** Le vase pour la conservation des légumes et des fruits.

**COUVERTURE DU BAC À LÉGUMES:** La couverture servant à contrôler la température des légumes, des fruits et à prévenir la déshydratation des légumes et des fruits. La couverture peut également être utilisée comme une assiette.  
**FAITES ATTENTION LORSQUE VOUS NETTOYEZ LE VERRE POUR ÉVITER QU'IL NE SE BRISE.**

**CLAYETTE:** Les conserves, les bouteilles ou les cannettes de bières peuvent être posées en toute tranquillité dans le creux du porte-bouteille intelligent. La clayette à bouteilles peut être déplacée en douceur sur la clayette en verre selon vos besoins. Si vous n'en avez pas besoin, vous pouvez l'enlever.

**MOLETTE DE RÉGULATION DE LA TEMPÉRATURE ( VOIR FIGURE ) :**

La molette est utilisée pour réguler la température du réfrigérateur. Le chiffre indiqué sur la molette ne correspond pas à une température spécifique. Le compresseur ne fonctionnera pas en position "0". Plus le chiffre est grand, plus la température

intérieure est basse. En général, il est préférable que la molette soit réglé au milieu.

**AVIS:**

- La température du congélateur peut parfois sembler trop élevée. Cela est dû au fait qu'une grande quantité d'aliments est rangée dans le réfrigérateur ou que la porte du congélateur est ouverte fréquemment. Normalement, elle revient à son état naturel dans les 24 heures.
- Afin de conserver la fraîcheur des aliments et de réduire les coûts, la température du congélateur doit être réglée entre -0.4°F et -4°F à une température ambiante normale. Les changements fréquents doivent être évités une fois le réglage effectué.
- En été, lorsque la température ambiante est plus élevée, les thermostats du refroidisseur peuvent être réglés sur la position 3. En hiver, lorsque la température ambiante est inférieure à celle de la pièce, les thermostats du refroidisseur peuvent être réglés sur la position 1.

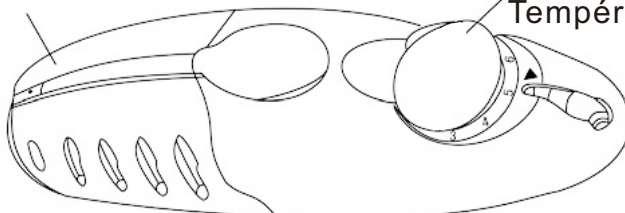
**LAMPE INTERIEURE :**

Caractéristiques techniques : 220-240V/50Hz, 10W

Contrôlée par l'interrupteur de la porte : Lorsque la porte est ouverte, la lumière s'allume, dans le cas contraire, elle est éteinte.

Couvercle de la Lampe

Molette De Régulation De La Température



## DÉGIVRAGE

L'eau contenue dans les aliments ou qui pénètre dans l'air à l'intérieur du réfrigérateur en raison de l'ouverture des portes peut former une couche de givre à l'intérieur. Cela affaiblira la réfrigération et gaspillera de l'énergie. Dégivrez votre réfrigérateur lorsque l'épaisseur du givre est comprise entre 4 mm et 6 mm.

### DÉGIVRAGE DU COMPARTIMENT CONGÉLATEUR

Le dégivrage du compartiment congélateur se fait manuellement. Avant le dégivrage, sortez les aliments ou placez-les temporairement dans la chambre froide, puis réglez le bouton du régulateur de température sur la position "0", position à laquelle le compresseur s'arrête de fonctionner. Laissez l'appareil ouvert jusqu'à ce que la glace et le givre se dissolvent complètement, puis essuyez l'eau avec un chiffon doux. Après le dégivrage, remettez la molette sur sa position initiale.

### AVERTISSEMENT :

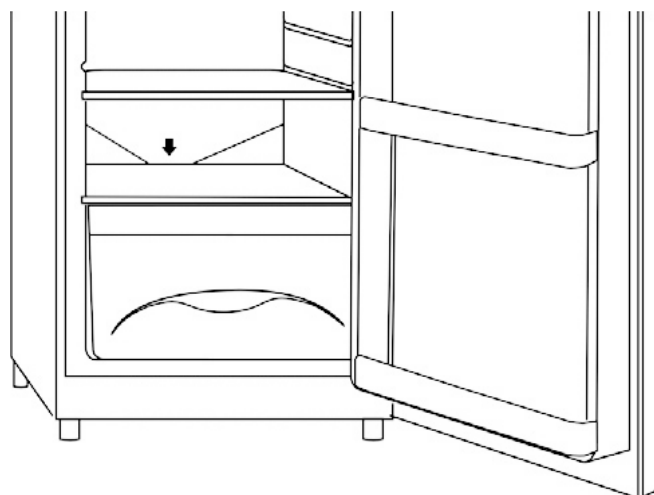
Il est également déconseillé de gratter la glace et le givre avec des appareils tels que des outils tranchants, des barres de bois, etc., ou avec des dispositifs mécaniques ou d'autres moyens manuels tels que de l'eau chaude, un récipient chauffant, etc. autres que ceux recommandés par le fabricant, afin de ne pas endommager l'enveloppe interne ou la surface de l'évaporateur.

### DÉGIVRAGE DU COMPARTIMENT FRIGORIFIQUE

Il est évident que le compartiment frigorifique ne nécessite pas d'opération de dégivrage. L'eau provenant du dégivrage sera drainée dans un récipient situé en haut du compresseur par les tuyaux de drainage du réfrigérateur et s'évaporerait automatiquement. (Selon le tableau)

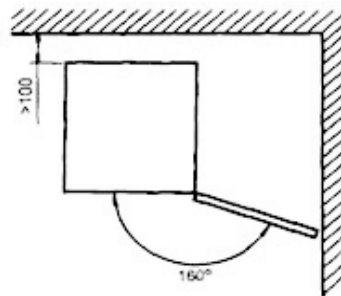
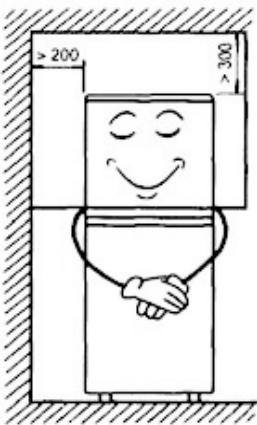
### REMARQUE :

Veillez à ce que le trou d'évacuation ne soit pas obstrué. S'il est bloqué, vous pouvez canaliser l'œillet avec des barres en bois pointues.

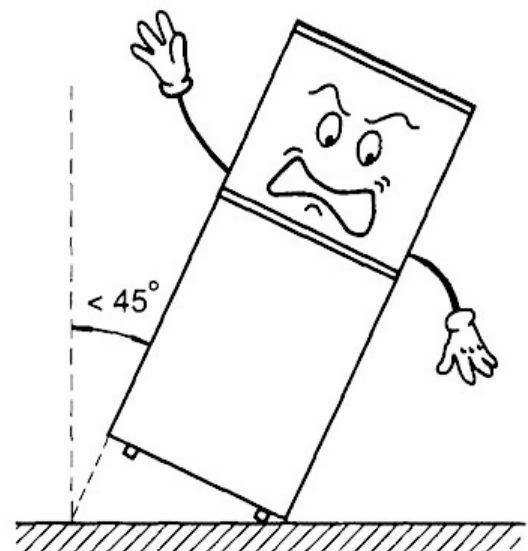


## POSE ET DÉPLACEMENT

1. Le réfrigérateur doit être posé sur un endroit solide et de niveau. Les deux façades doivent être ajustées pour rendre le réfrigérateur stable. Les pieds doivent être entièrement en contact avec le sol pour éviter les vibrations et le bruit.
2. Ne posez pas le réfrigérateur près d'une source de chaleur et ne l'exposez pas à la lumière directe du soleil. Si le réfrigérateur est placé à proximité d'une source de chaleur, une plaque isolante doit être utilisée et la distance minimale suivante entre le réfrigérateur et la source de chaleur doit être respectée :
  - 30 cm d'un autre appareil électrique qui n'est pas utilisé pour la cuisson.
  - 30 cm d'une cuisinière ou d'un autre appareil de cuisson.
3. Le réfrigérateur doit être placé dans une pièce sèche et bien ventilée. Une distance de plus de 100 mm du mur, 300 mm du haut et 200 mm des deux côtés du réfrigérateur doit être maintenue pour une bonne circulation de l'air. Les grilles d'entrée et de sortie d'air et autres voies d'aération ne doivent jamais être couvertes. Et un espace libre doit être laissé pour ouvrir les portes à 160°. ( Voir Figure )



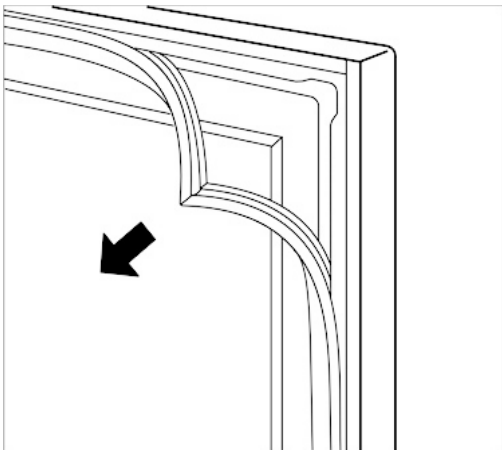
4. Lors de la pose du réfrigérateur, le paquet de mousse doit être retiré. (y compris le fond moussant)
5. Lors de son déplacement, le réfrigérateur ne doit pas être incliné à plus de 45° ou à l'envers. ( Voir figure )



## NETTOYAGE ET ENTRETIEN

Le réfrigérateur doit être nettoyé au moins une fois par mois.

1. Avant le nettoyage, débranchez la prise d'alimentation du réfrigérateur.
2. Pendant le nettoyage, ne laissez pas l'eau pénétrer dans la lampe intérieure.
3. Essuyez la surface intérieure et extérieure du réfrigérateur et de ses accessoires avec un chiffon humide. S'ils sont trop sales, frottez-les avec un détergent neutre.
4. Certains accessoires doivent être nettoyés, comme le plateau à œufs, la clayette, le couvercle à légumes, etc.
5. L'eau tiède additionnée d'un peu de détergent ou de désinfectant doux convient pour nettoyer l'ensemble du réfrigérateur, à l'exception du joint de la porte. Nettoyez le joint de la porte à l'eau claire uniquement, puis séchez-le soigneusement en le frottant. (Ils sont nettoyés en démontant directement la porte pour les parties du produit) (Comme indiqué dans la figure).



6. Le compresseur situé à l'arrière du réfrigérateur doit être nettoyé au moins une fois par an. Dépoussiérez le compresseur avec une brosse. La poussière qui se trouve sur la surface extérieure du compresseur augmente le volume de la consommation d'énergie.
7. Les produits de nettoyage contenant des abrasifs ou des acides ne doivent pas être utilisés, et les substances suivantes ne doivent pas non plus être utilisées : alcaloïdes, savon, abrasif, eau chaude, brosse, huile de banane, essence, alcool à haut degré, etc.

## ARRÊT D'UTILISATION

1. Lorsque vous cessez d'utiliser le réfrigérateur, éteignez-le en débranchant directement la fiche de l'alimentation électrique.
2. Si vous avez décidé de ne plus utiliser le réfrigérateur pendant un certain temps, procédez comme suit : Éteignez d'abord le réfrigérateur, puis nettoyez l'intérieur et laissez la porte légèrement ouverte pour aérer.

**REMARQUE :** Si vous cessez souvent d'utiliser le réfrigérateur, sa durée de vie sera réduite.

## DÉPANNAGE

Tous les dysfonctionnements ne sont pas de nature à justifier un appel au personnel du service commercial. Avant d'appeler à l'aide, veuillez vérifier si le problème peut être résolu à l'aide des conseils suivants :

- **Bruits inhabituels :**

1. Vérifiez que le réfrigérateur est solidement posé sur un sol plat et que les fixations sont bien fixées. En outre, les tuyaux situés à l'arrière du réfrigérateur ne doivent pas se toucher et le compresseur ne doit pas être en contact avec d'autres objets.

- **Aucun refroidissement :**

Vérifiez que l'alimentation électrique n'est pas coupée, que le fusible n'est pas grillé, que la fiche ne rentre pas dans la prise ou que le voltage est inadéquat.

- **La lampe ne fonctionne pas :**

La lampe peut avoir brûlé. Si c'est le cas, remplacez-la par une lampe 10W/115V.

- **Dégradation des performances de refroidissement :**

Vérifiez que le réglage de la molette du thermostat n'est pas trop chaud, que la porte est correctement fermée, que d'épaisses couches de glace ne se sont pas accumulées dans le congélateur, que la porte n'est pas ouverte trop fréquemment, que trop d'aliments n'ont pas été placés dans le réfrigérateur ou que les aliments trop chauds ne sont pas placés dans le réfrigérateur.

- **L'appareil s'arrête de fonctionner :**

Vérifiez s'il y a une panne de courant, si la tension électrique est excessivement basse, si la fiche d'alimentation est bien en contact et si le régulateur de température est en position "0".

- **Les aliments sont gelés dans la chambre froide :**

Vérifiez que le cadran de contrôle de la température n'est pas trop grand et que les aliments sont en contact avec la source de froid à l'arrière de l'armoire.

- **L'eau a débordé après le dégivrage :**

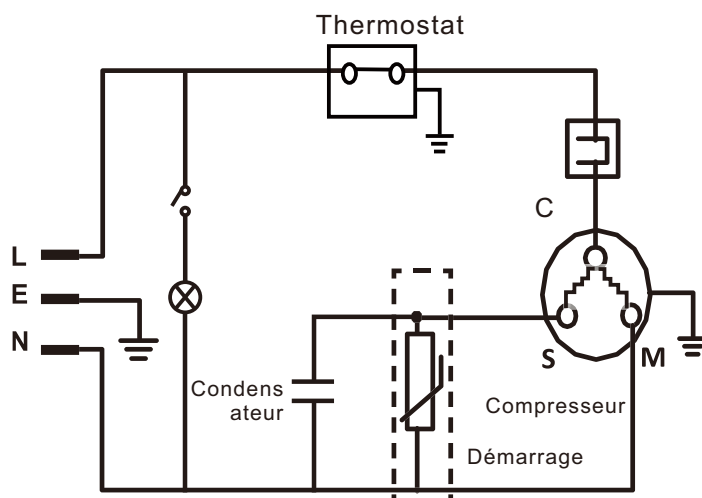
Vérifiez que le trou d'évacuation n'est pas bouché et que le bac d'évacuation est correctement installé.

- **Phénomènes normaux :**

1. De la buée peut apparaître sur l'extérieur du réfrigérateur si l'humidité extérieure est élevée. Il suffit juste de l'essuyer.
2. La zone où le joint de la porte est collé au réfrigérateur peut être chaude. Cela est dû au dispositif de chauffage destiné à éviter la rosée et le givre.
3. Un bruit de bulles ou de cliquetis peut parfois être entendu. Cela est dû à la circulation du réfrigérant dans le tuyau de refroidissement ou au fait que le réfrigérateur est en mode de démarrage ou de fermeture.
4. La température du compresseur peut atteindre 176°F.

## CARACTÉRISTIQUES TECHNIQUES

### DIAGRAMA DO CIRCUITO



**Note :** Les spécifications peuvent être modifiées sans préavis.

### PARAMÈTRE ÉLECTRIQUE

Modèle	800-128V90_800-128V91
Tension nominale	220-240V~
Fréquence nominale	50Hz
Courant de refroidissement nominal	1,0A
Puissance de la lampe : 10W pour une lampe à incandescence ou 1W pour une lampe à LED	
Classe de protection	I
Classe climatique	N, ST, T
Réfrigérant	R600a/36g
Gaz de soufflage	C <sub>5</sub> H <sub>10</sub>
Evaluation	60W
Volume total	88L
Volume du compartiment des aliments frais	63L
3 étoiles Volume du compartiment :	25L
Consommation d'énergie af E32	0.60kWh/24h
Consommation annuelle d'énergie.	167kWh/a
Augmentation de la température.	9Heure
Efficacité énergétique	E

## ÉLIMINATION

Le boîtier de l'appareil est constitué de cyclopentane. L'ancien appareil contient des matériaux nocifs et doit être jeté avec les ordures ménagères.

1. Retirez le ressort ou le verrou de l'appareil ou rendez-le inutilisable afin que les enfants ne puissent pas se retrouver coincés à l'intérieur et suffoquer.
2. S'assurer que le circuit du réfrigérant n'est pas endommagé avant d'emporter l'appareil hors d'usage pour le mettre au rebut. De cette manière, le réfrigérant ne s'échappera pas dans l'environnement.



Les informations concernant le fluide frigorigène et les matériaux isolants utilisés figurent sur la plaque signalétique et les instructions d'élimination de l'appareil.

Les informations sur les dates de collecte ou les points de collecte peuvent être obtenues auprès des autorités chargées de l'élimination des déchets ou de votre municipalité.

## AVIS

Cet appareil n'est pas destiné à être utilisé par des personnes (y compris des enfants) dont les capacités physiques, sensorielles ou mentales sont réduites, ou qui manquent d'expérience et de connaissances, à moins qu'elles n'aient été supervisées ou instruites sur l'utilisation de l'appareil par une personne responsable de leur sécurité.

Les enfants doivent être surveillés pour s'assurer qu'ils ne jouent pas avec l'appareil.

**Le fournisseur se réserve le droit d'apporter des modifications ELECTRIQUES, TECHNIQUES et ESTHÉTIQUES aux appareils et/ou de remplacer des pièces sans préavis afin de toujours offrir une technologie plus fiable, plus durable et plus avancée. Le fournisseur tient à s'excuser pour les éventuelles erreurs d'impression.**

# CONTENTS

<b>SICHERHEITSINFORMATIONEN</b> .....	<b>27</b>
<b>TEILE &amp; MERKMALE</b> .....	<b>28</b>
<b>NUTZUNG DER GEFRIERKAMMER UND DER KÜHLKAMMER</b> ..	<b>29</b>
<b>ENTFROSTEN</b> .....	<b>32</b>
<b>BEFESTIGEN UND UMZIEHEN</b> .....	<b>33</b>
<b>REINIGUNG UND WARTUNG</b> .....	<b>34</b>
<b>NICHT MEHR VERWENDEN</b> .....	<b>34</b>
<b>FEHLERSUCHE</b> .....	<b>35</b>
<b>SPEZIFIKATIONEN</b> .....	<b>36</b>
<b>ENTSORGUNG</b> .....	<b>37</b>



**HINWEIS:** Wenn das Kühl-/Gefriergerät über einen längeren Zeitraum in einer horizontalen oder gekippten Position gestanden hat, warten Sie 24 Stunden, bevor Sie das Gerät wieder einschalten.

## SICHERHEITSINFORMATIONEN

### Warn- und Sicherheitshinweise

- Bitte lesen Sie die Bedienungsanleitung sorgfältig durch, bevor Sie den Kühlschrank benutzen.
- Bitte bewahren Sie die Anleitung auf, um in Zukunft darauf zurückgreifen zu können.
- Da das Produkt ständig aktualisiert wird, kann es sein, dass das von Ihnen gekaufte Produkt nicht vollständig mit der Anleitung übereinstimmt. Sie deckt jedoch nicht die Leistung des Kühlschranks und den Betrieb ab.
- Bei der Aufstellung, dem Betrieb und der Wartung des Kühlschranks müssen die Anweisungen genau befolgt werden.
- Der Hersteller haftet nicht für Unfälle oder Schäden, die durch Nichtbeachtung der folgenden Regeln verursacht werden:

### WARNUNG UND SICHERHEITSVORKEHRUNGEN:

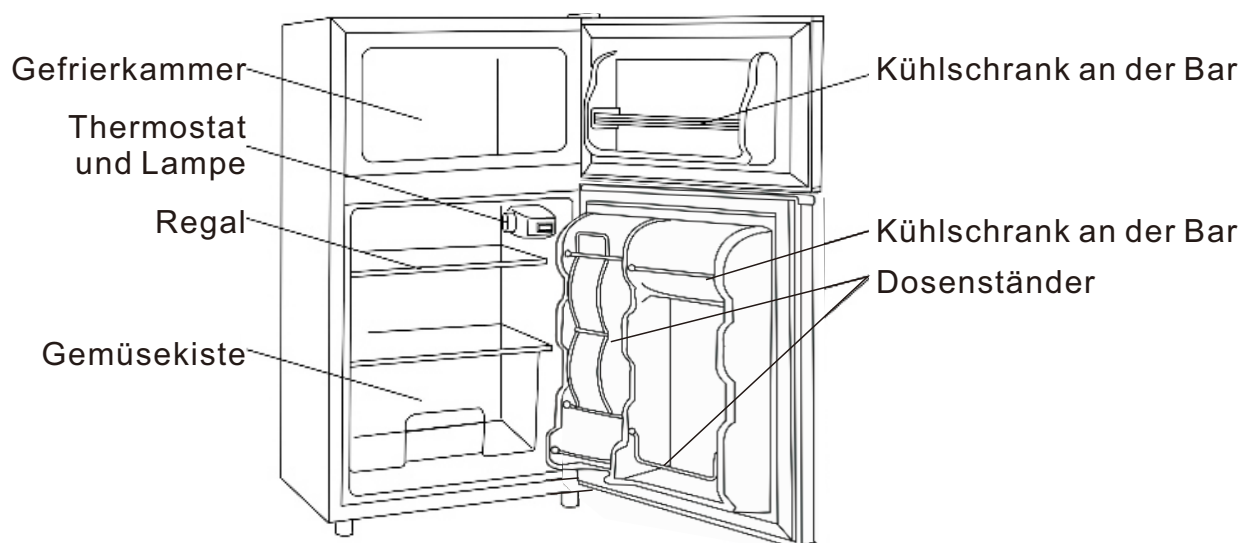
- Die Spannungsversorgung des Kühlschranks muss mit der auf dem Typenschild angegebenen Spannungsversorgung übereinstimmen. Andernfalls wird der Kühlschrank beschädigt, für die Beschädigung und den Ausfall; der Hersteller übernimmt trotz der geschützten Zeit keine kostenfreie Wartung.
- Die Installation und der Anschluss des Kühlschranks müssen genau nach den Anweisungen des Handbuchs durchgeführt werden. Die Anschlussteile müssen mit den auf dem Typenschild angegebenen Spezifikationen übereinstimmen.
- Wenn das Netzkabel beschädigt ist, muss es vom Hersteller oder seinem Kundendienst oder einer ähnlich qualifizierten Person ersetzt werden, um eine Gefährdung zu vermeiden.
- Der Stromkreis des Kühlschranks darf nicht beschädigt werden.
- Die elektrische Sicherheit ist nur dann gewährleistet, wenn der Kühlschrank an eine ordnungsgemäß verdrahtete, geerdete Stromversorgung angeschlossen ist. Um den normalen Betrieb des Kühlschranks zu gewährleisten, müssen Sie bei einem Transport über große Entfernungen etwa 1/2-1 Stunde warten und ihn dann einschalten.
- Nach einem Stromausfall sollten Sie mehr als 5 Minuten warten, bevor Sie den Kühlschrank wieder einschalten, da sonst der Kompressor beschädigt werden kann.
- Stellen oder verwenden Sie keine brennbaren Gegenstände wie Gasbehälter, Benzin oder andere Stoffe in der Nähe des Kühlschranks, da Brandgefahr besteht. Hochprozentiger Alkohol muss in dicht verschlossenen Flaschen oder anderen Behältern aufbewahrt werden und sollte immer aufrecht stehen. Bewahren Sie niemals explosive Stoffe im Kühlschrank auf.

- Bewahren Sie keine vollen, versiegelten Glasflaschen im Gefrierschrank auf, da sie beim Gefrieren platzen.
- Stellen Sie den Kühlschrank nicht in einer feuchten oder nassen Umgebung auf. Oder an einem Ort, an dem er mit Spritzwasser in Berührung kommen kann. Eine solche Umgebung würde die elektrische Isolierung schwächen oder stromführende Drähte freilegen; stromführende Drähte sind gefährlich und können einen elektrischen Schlag oder einen Brand verursachen.
- Lassen Sie Kinder nicht unbeaufsichtigt mit dem Kühlschrank spielen.
- Der Kühlschrank muss im Falle einer Panne oder bei Reinigungs- und Reparaturarbeiten vom Stromnetz getrennt werden.
- Um den Stecker aus der Steckdose zu ziehen, fassen Sie den Stecker fest an und ziehen Sie ihn heraus. Ziehen Sie nicht an dem Kabel. Schließen Sie das Gerät nicht an die Steckdose an, wenn Ihre Hände nass oder feucht sind.
- Treten Sie nicht auf die Kühl- oder Gefriertür oder die Bodenabdeckung des Kühlschranks und lehnen Sie sich nicht dagegen.
- Um Erfrierungen zu vermeiden, berühren oder essen Sie nichts, was direkt aus dem Gefrierschrank entnommen wurde, mit bloßer Haut.
- Wenn im selben Raum wie der Kühlschrank ein Gasleck entdeckt wird, stellen Sie die Gaszufuhr ab. Öffnen Sie nicht die Kühlschranktür und ziehen Sie nicht den Stecker aus der Steckdose. Ein kleiner Funke, der dadurch entsteht, könnte eine Gasexplosion verursachen. Öffnen Sie alle Türen und Fenster in dem Raum, um das Gas zu verteilen.

### REGELN:

Dieser Kühlschrank ist ausschließlich zum Kühlen, Einfrieren und Lagern von Lebensmitteln und zur Eisherstellung bestimmt und darf nicht für andere Zwecke verwendet werden.

## TEILE & MERKMALE



**Hinweis:** Das Innenzubehör ist für jedes Kühlschrankmodell unterschiedlich.

## NUTZUNG DER GEFRIERKAMMER UND DER KÜHLKAMMER

**GEFRIERKAMMER:** Eine Kammer zum Einfrieren von Lebensmitteln oder zum Aufbewahren von Lebensmitteln im Kühlschrank und zur Herstellung einer kleinen Menge Eis.

### HINWEIS:

- Beim Kauf von tiefgefrorenen Lebensmitteln sollten die folgenden Vorsichtsmaßnahmen beachtet werden.
  1. Überprüfen Sie, ob die Verpackung intakt ist.
  2. Vergewissern Sie sich, dass das Verfallsdatum der Produkte nicht überschritten ist.
  3. Prüfen Sie, ob das Thermometer des Gefrierschranks, in dem die Lebensmittel gekauft werden, eine Temperatur von -0,4 °C oder darunter anzeigt.
  4. Gefrorene Lebensmittel sollten nach dem Kauf so wenig Wärme wie möglich ausgesetzt werden und so schnell wie möglich in den heimischen Gefrierschrank gelegt werden.
- Bevor heiße Lebensmittel oder heiße Getränke in die Kammer gegeben werden, müssen sie entsprechend der Raumtemperatur abgekühlt werden.
- Verpacken Sie die Lebensmittel vor dem Einfrieren in dicht verschlossenen Behältern oder Beuteln, damit sie ihren Geschmack, ihre Farbe und ihren Nährwert nicht verlieren und nicht austrocknen.
  1. Als Verpackungsmaterial eignen sich: Polyethylenbeutel, Alufolie und gefriersichere Behälter. Alle diese Materialien sind in Kaufhäusern oder in Geschäften erhältlich, die sich auf diesen Bereich spezialisiert haben.
  2. Ungeeignetes Verpackungsmaterial sind: Packpapier, Pergamentpapier, Zellophan, Müllsäcke und gebrauchte Einkaufstüten.
  3. Wenn möglich, lassen Sie die Luft aus dem Verpackungsbehälter ab.
  4. Bevor Sie verpackte Lebensmittel in den Gefrierschrank legen, kennzeichnen Sie das Datum, an dem die Lebensmittel in den Gefrierschrank gelegt werden, sowie den Inhalt. Alle Arten von Lebensmitteln können eingefroren werden, bevor sie anfangen zu verderben.
- Bei einem Stromausfall sollten die Türen des Kühlschranks so wenig wie möglich geöffnet sein. Vermeiden Sie es, neue Lebensmittel in den Kühl- oder Gefrierschrank zu legen, da dies zu einem schnelleren Temperaturanstieg führt.
- Fassen Sie gefrorene Lebensmittel nicht mit nassen Händen an und nehmen Sie sie nicht direkt aus dem Gefrierschrank, da nasse Hände an gefrorenen Lebensmitteln haften.

### EISBEHÄLTER:

Füllen Sie den Eisbehälter zu drei Vierteln mit Wasser und stellen Sie ihn in den Gefrierschrank. Die Eiswürfel lassen sich durch leichtes Drehen des Eisbehälters leicht herausnehmen.

- **Hinweis:** Verwenden Sie zur Herstellung von Eiswürfeln kühles, abgekochtes Wasser.
- Biegen Sie die Eisschale nicht, damit sie nicht zerbricht.
- Machen Sie das Eis nicht mit anderen Behältern, um es nicht zu beschädigen.



**KÜHLKAMMER:** Eine Kammer zum Nicht-Einfrieren von Lebensmitteln und Getränken

Die Temperatur der Kühlkammer kann die Wachstumsrate von Bakterien nur bis zu einem gewissen Grad verlangsamen und ist daher nur für die kurzfristige Lagerung von Lebensmitteln geeignet.

Folgende Lebensmittel sind für die Lagerung in der Kühlkammer geeignet: Eier, Butter, Käse, Milch, Getränke in Flaschen, Konserven, glasiertes Obst, frische Soße, Brot, gekochte Lebensmittel, Fleisch, Fisch, Obst und Gemüse usw.

**Bei der Lagerung von Lebensmitteln im Kühlschrank sind die folgenden Hinweise zu beachten:**

- Versiegeln oder bedecken Sie die Lebensmittel gut, bevor Sie sie in den Kühlschrank stellen. Dies verhindert, dass sie austrocknen und hält sie länger frisch, damit sie ihre Farbe, Nährstoffe und Aromen behalten. Wenn Sie alle Lebensmittel im Kühlschrank versiegeln oder gut abdecken, verhindern Sie, dass sie sich gegenseitig verderben und an der Luft getrocknet werden.
- Waschen und trocknen Sie Gemüse, Obst usw. vor der Lagerung.
- Lassen Sie die Lebensmittel abkühlen, bevor Sie sie in den Kühlschrank stellen.
- Der obere Teil des Kühlschranks hat die niedrigste Temperatur und ist der Bereich, in dem die Lebensmittel am schnellsten abgekühlt werden.
- Obst und Gemüse sollten in den Gemüsekorb gelegt werden.
- Halten Sie zwischen allen Lebensmitteln einen Abstand ein, um eine gute Belüftung und eine gleichmäßige Temperatur zu gewährleisten.
- Vermeiden Sie, dass Butter und Speiseöl mit den Kunststoffteilen im Inneren der Kühlbox und mit der Innenauskleidung in Berührung kommen.
- Getränke sollten fest verschlossen sein und die Flaschen aufrecht stehen.
- Öffnen Sie die Kühlschranktür nur so kurz wie möglich, damit keine kalte Luft entweicht.

**GEMÜSESCHUBLADE:** Der Flügel zur Aufbewahrung von Gemüse und Obst.

**ABDECKUNG DER GEMÜSESCHUBLADE:** Die Abdeckung zur Temperaturkontrolle von Gemüse und Obst und zur Verhinderung des Austrocknens von Gemüse und Obst. Die Abdeckung kann auch als Teller verwendet werden.

VORSICHT BEI DER REINIGUNG DES GLASES, DAMIT ES NICHT BRICHT.

**ABLAGE:** Dosen, Flaschen oder Biere können ruhig in die Rille der Intelli-Platte gelegt werden. Die Flaschenplatte kann je nach Bedarf auf der Glasplatte verschoben werden. Wenn Sie sie nicht brauchen, kann sie entfernt werden.

### **DREHKNOPF DES TEMPERATURREGLERS (SIEHE ABBILDUNG):**

Der Drehknopf wird zur Regulierung der Temperatur des Kühlschranks verwendet. Die Zahl des Knopfes bedeutet keine bestimmte Temperatur. Der Kompressor arbeitet nicht in der Position „0“. Je größer die Zahl, desto niedriger die Innentemperatur. Im Allgemeinen gilt, dass der Schalter auf die mittlere Position gestellt werden sollte.

### **HINWEIS:**

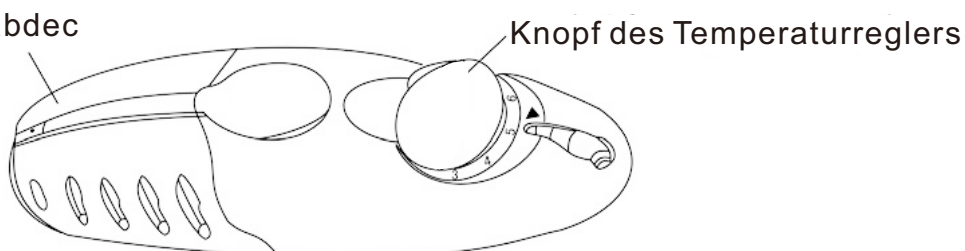
- Die Temperatur des Gefrierschranks kann manchmal zu hoch erscheinen. Dies liegt entweder daran, dass eine große Menge an Lebensmitteln im Kühlschrank gelagert oder die Gefrierschrantür häufig geöffnet wird. Normalerweise geht die Temperatur innerhalb von 24 Stunden wieder auf den natürlichen Wert zurück.
- Um die Lebensmittel frisch zu halten und Kosten zu sparen, sollte die Temperatur des Gefrierschranks zwischen  $-0,4^{\circ}\text{F}$  und  $-4^{\circ}\text{F}$  bei normaler Raumtemperatur eingestellt werden. Häufige Änderungen sollten vermieden werden, sobald die Einstellung erfolgt ist.
- Im Sommer, wenn die Raumtemperatur höher ist, können die Klappenthermostate der Kühlgeräte auf Position 3 gestellt werden. Im Winter, wenn die Raumtemperatur niedriger ist, können die Klappen-Thermostate des Kühlgeräts auf Position 1 gestellt werden.

### **INNERE LAMPE:**

Technische Daten: 220-240V/50Hz, 10W

Gesteuert durch den Türschalter: Wenn die Tür geöffnet wird, leuchtet das Licht auf, ansonsten wird es ausgeschaltet

Lampenabdeckung



## ENTFROSTEN

Wasser, das in Lebensmitteln enthalten ist oder durch das Öffnen der Türen in die Luft im Kühlschrank gelangt, kann eine Frostschrift im Inneren bilden.

Tauen Sie den Kühlschrank ab, wenn die Reifschicht zwischen 4 mm und 6 mm dick ist.

### ABTAUEN DES GEFRIERRAUMS

Das Abtauen im Gefrierraum erfolgt manuell. Nehmen Sie vor dem Abtauen die Lebensmittel heraus oder stellen Sie sie vorübergehend in den Kühlraum, stellen Sie dann den Drehknopf des Temperaturreglers auf die Position „0“, in der der Kompressor aufhört zu arbeiten, und lassen Sie den Raum offen, bis sich Eis und Reif gründlich aufgelöst haben, und wischen Sie das Wasser mit einem weichen Tuch ab. Stellen Sie den Drehknopf nach dem Abtauen wieder auf die ursprüngliche Position.

### WARNUNG!

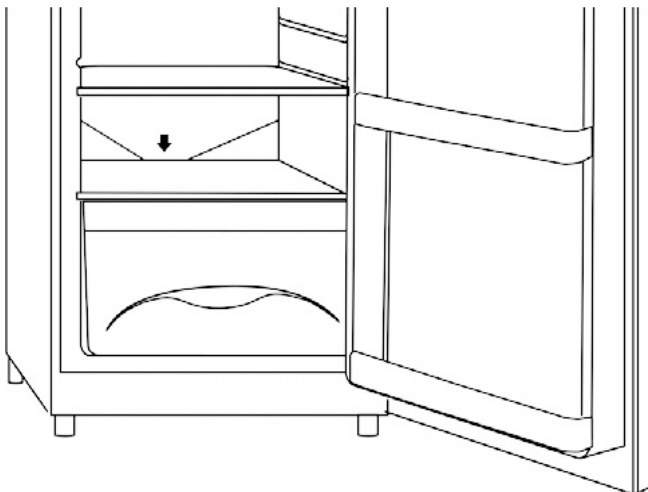
Um das Innengehäuse oder die Oberfläche des Verdampfers nicht zu beschädigen, ist es nicht ratsam, Eis und Reif mit Geräten wie scharfen Werkzeugen, Holzstäben usw. oder mit mechanischen Vorrichtungen oder anderen manuellen Mitteln wie heißem Wasser, Heizgefäßen usw. abzuschaben, die nicht vom Hersteller empfohlen sind.

### ABTAUEN DER KÜHLKAMMER

Die Kühlkammer muss automatisch nicht abgetaut werden. Das Abtauwasser wird über ein Abflussrohr an der Rückseite des Kühlschranks in einen Behälter im oberen Teil des Kompressors geleitet und verdunstet automatisch (siehe Tabelle).

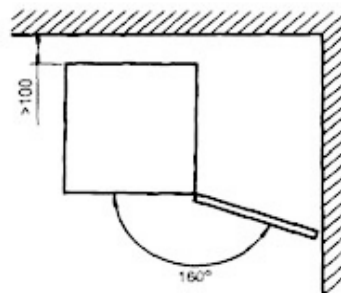
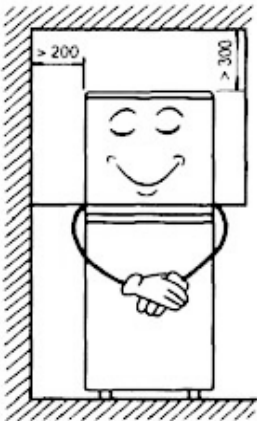
### HINWEIS:

Achten Sie darauf, dass die Abflussöffnung nicht verstopft ist. Wenn sie verstopft ist, können Sie die Öse mit einem scharfen Holzstab zerstören.

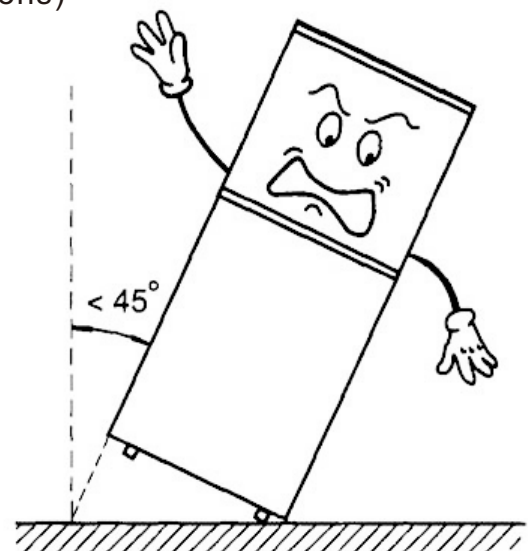


## BEFESTIGEN UND UMZIEHEN

1. Der Kühlschrank sollte an einem festen, ebenen Ort aufgestellt werden. Die beiden Fronten sollten so eingestellt werden, dass der Kühlschrank stabil steht. Die Beine sollten vollständig mit dem Boden in Kontakt sein, um Vibrationen und Lärm zu vermeiden.
2. Stellen Sie den Kühlschrank nicht in der Nähe einer Wärmequelle auf und setzen Sie ihn nicht direkter Sonneneinstrahlung aus. Wenn der Kühlschrank in der Nähe einer Wärmequelle aufgestellt wird, muss eine Isolierplatte verwendet und der folgende Mindestabstand zwischen dem Kühlschrank und der Wärmequelle eingehalten werden:
  - 30 cm von einem anderen Elektrogerät, das nicht zum Kochen verwendet wird
  - 30 cm von einem Herd oder einer anderen Kochgelegenheit
- 3) Der Kühlschrank sollte in einem trockenen und gut belüfteten Raum aufgestellt werden. Ein Abstand von mehr als 100mm von der Wand, 300mm von der Oberseite und 200mm von beiden Seiten des Kühlschranks sollte für eine gute Luftzirkulation eingehalten werden. Die Luftein- und -auslassgitter und andere Luftkanäle dürfen nicht verdeckt werden. Und es sollte ein Freiraum gelassen werden, um die Türen auf  $160^\circ$  zu öffnen (siehe Tabelle).



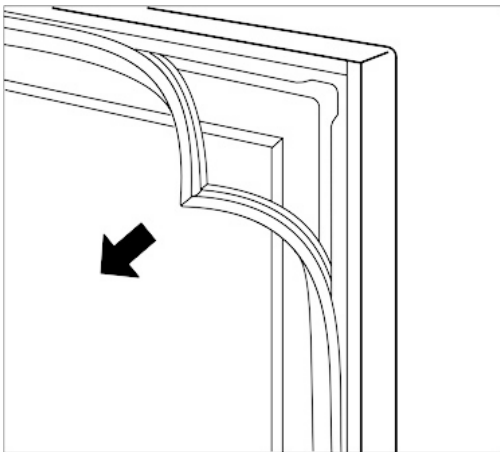
4. Bei der Befestigung des Kühlschranks sollte das Schaumpaket aufgehoben werden. (einschließlich des schäumenden Bodens)
5. Wenn der Kühlschrank bewegt wird, kann er nicht um mehr als  $45^\circ$  geneigt oder auf den Kopf gestellt werden. (siehe Tabelle)



## REINIGUNG UND WARTUNG

Der Kühlschrank sollte einmal im Monat gereinigt werden.

1. Trennen Sie den Kühlschrank vor der Reinigung von der Stromzufuhr.
2. während der Reinigung kein Wasser in das Innenlicht eindringen lassen.
3. Wischen Sie die Innen- und Außenflächen des Kühlschranks und des Zubehörs mit einem feuchten Tuch ab. Wenn sie zu schmutzig sind, reiben Sie sie mit einem neutralen Reinigungsmittel ab.
4. einige Zubehörteile müssen gereinigt werden, wie z.B. die Eierablage, das Tablett, die Gemüseabdeckung usw.
5. lauwarmes Wasser mit etwas Spülmittel oder mildem Desinfektionsmittel eignet sich für die Reinigung des gesamten Kühlschranks, mit Ausnahme der Türdichtung. Reinigen Sie die Türdichtung nur mit klarem Wasser und reiben Sie sie anschließend gründlich trocken. (Sie werden gereinigt, indem sie direkt von der Tür für Teile des Produkts demontiert werden) (Wie Tabelle)



6. Der Kompressor auf der Rückseite des Kühlschranks sollte mindestens einmal im Jahr gereinigt werden. Entstauben Sie den Kompressor mit einer Bürste. Die äußere Oberfläche des Kompressors ist verstaubt, was den Stromverbrauch erhöht.
7. Reinigungsmittel, die Scheuermittel oder Säuren enthalten, dürfen nicht verwendet werden, und die folgenden Substanzen dürfen ebenfalls nicht verwendet werden: Alkaloide, Seife, Scheuermittel, heißes Wasser, Bürste, Banane, Öl, Benzin, hochprozentiger Alkohol usw.

## NICHT MEHR VERWENDEN

1. wenn Sie das Gerät nicht mehr benutzen, schalten Sie es bitte aus, indem Sie den Stecker direkt aus der Steckdose ziehen.
2. wenn Sie sich entschlossen haben, den Kühlschrank für einige Zeit nicht mehr zu benutzen, gehen Sie bitte wie folgt vor: Schalten Sie den Kühlschrank zuerst aus, reinigen Sie dann das Innere und lassen Sie die Tür leicht geöffnet, um zu lüften.

**HINWEIS:** Wenn Sie den Betrieb häufig unterbrechen, verkürzt sich die Lebensdauer des Kühlschranks.

## FEHLERSUCHE

Nicht jedes Problem ist so schwerwiegend, dass es einen Anruf beim Kundendienst rechtfertigt. Bevor Sie um Hilfe bitten, prüfen Sie bitte, ob das Problem mit Hilfe der folgenden Tipps gelöst werden kann.

- **Ungewöhnliche Geräusche:**

1. Prüfen Sie, ob der Kühlschrank fest auf einem ebenen Boden steht und ob alle Befestigungen sicher sind. Außerdem sollten sich die Rohre an der unteren Rückseite des Kühlschranks nicht berühren, und der Kompressor sollte nicht mit anderen Gegenständen in Berührung kommen.

- **Keine Kühlung:**

Prüfen Sie, ob die Stromversorgung unterbrochen ist, die Sicherung durchgebrannt ist, der Stecker nicht in die Steckdose passt oder die Spannung nicht stimmt.

- **Die Lampe funktioniert nicht:**

Die Lampe ist möglicherweise durchgebrannt. Ersetzen Sie sie in diesem Fall durch eine 10W/115V-Lampe.

- **Verschlechterung der Kühlleistung:**

Prüfen Sie, ob die Einstellung am Thermostatknopf nicht zu warm ist, ob die Tür richtig geschlossen ist, ob sich im Gefrierfach keine dicken Eisschichten gebildet haben, ob die Tür nicht zu häufig geöffnet wird, ob nicht zu viele Lebensmittel in den Kühlschrank gelegt wurden oder ob nicht zu warme Lebensmittel in den Kühlschrank gelegt werden.

- **Aufhören zu arbeiten:**

Prüfen Sie, ob ein Stromausfall vorliegt, die Netzspannung zu niedrig ist, der Netzstecker guten Kontakt hat und der Temperaturregler auf Position „0“ steht.

- **Gefrorene Lebensmittel im Kühlraum:**

Prüfen Sie, ob der Temperaturregler zu groß eingestellt ist und ob die eingefrorenen Lebensmittel mit der Kältequelle auf der Rückseite des Schrankes in Berührung kommen.

- **Das Wasser ist nach dem Abtauen übergelaufen:**

Prüfen Sie, ob die Abflussöffnung nicht verstopft ist und ob die Auffangschale richtig befestigt ist.

- **Normale Phänomene:**

1. bei hoher Luftfeuchtigkeit kann sich an der Außenseite des Kühlschranks Tau bilden. Dieser kann abgewischt werden.

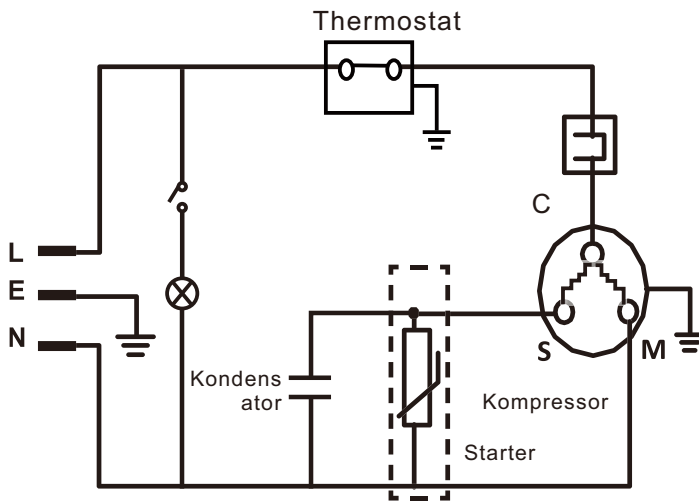
2. Der Bereich, in dem die Türdichtung am Kühlschrank klebt, kann warm sein. Dies wird durch die Heizvorrichtung verursacht, um Tau und Frost zu vermeiden.

3. Manchmal ist ein blubberndes/rasselndes Geräusch zu hören. Dies liegt daran, dass Kältemittel in der Kühlleitung fließt oder dass sich der Kühlschrank im Start- oder Schließmodus befindet.

4. Die Temperatur des Kompressors kann 176°F erreichen.

## SPEZIFIKATIONEN

### SCHALTPLAN



**Hinweis: Änderungen der technischen Daten ohne vorherige Ankündigung vorbehalten.**

### ELEKTRISCHER PARAMETER

Modell	800-128V90_800-128V91
Nennspannung	220-240V~
Nennfrequenz	50Hz
Nennkühlstrom	1,0A
Lampenleistung: 10W für Glühlampe oder 1W für LED-Lampe	
Schutzklasse	I
Klima-Klasse	N, ST, T
Kältemittel	R600a/36g
Blasen von Gas	$C_5H_{10}$
Bewertung	60W
Gesamtvolumen	88L
Volumen des Frischhaltefachs	63L
3-Sterne-Fachvolumen:	25L
Energieverbrauch af E32	0.60kWh/24h
Jährlicher Energieverbrauch.	167kWh/a
Temperaturanstieg.	9Stunde
Energie-Effizienz	E

## ENTSORGUNG

Das Gehäuse des Geräts besteht aus Cyclopentan. Das Altgerät enthält Schadstoffe und sollte mit dem Sperrmüll entsorgt werden.



1. Entfernen Sie die Feder- oder Riegelverschlüsse aus dem Gerät oder machen Sie es unbrauchbar, damit sich Kinder nicht darin verfangen und ersticken können.
2. Stellen Sie sicher, dass der Kältemittelkreislauf nicht beschädigt ist, bevor Sie das nicht mehr benötigte Gerät zur Entsorgung wegbringen. Auf diese Weise kann das Kältemittel nicht in die Umwelt entweichen.

Informationen über das verwendete Kältemittel und die Isoliermaterialien finden Sie auf dem Typenschild und den Entsorgungshinweisen am Gerät.

Informationen über Abholtermine oder Sammelstellen erhalten Sie bei den Abfallentsorgungsbehörden oder Ihrer Gemeindeverwaltung.

## HINWEIS

Dieses Gerät ist nicht dafür bestimmt, durch Personen (einschließlich Kinder) mit eingeschränkten physischen, sensorischen oder geistigen Fähigkeiten oder mangels Erfahrung und mangels Wissen benutzt zu werden, es sei denn, sie werden durch eine für ihre Sicherheit zuständige Person beaufsichtigt oder erhielten von ihr Anweisungen, wie das Gerät zu benutzen ist.

Kinder sollten beaufsichtigt werden, um sicherzustellen, dass sie nicht mit dem Gerät spielen. Nur für den Hausgebrauch.

**Der Lieferant behält sich das Recht vor, ohne vorherige Ankündigung ELECTRISCHE, TECHNISCHE und ÄSTHETISCHE Änderungen an den Geräten vorzunehmen und/oder Teile auszutauschen, um stets eine zuverlässigere, haltbarere und fortschrittlichere Technologie anzubieten. Der Anbieter bittet um Entschuldigung für eventuelle Druckfehler.**

# CONTENIDO

<b>INFORMACIÓN DE SEGURIDAD</b> .....	<b>39</b>
<b>PIEZAS Y CARACTERÍSTICAS</b> .....	<b>40</b>
<b>USO DE LA CÁMARA DE CONGELACIÓN Y LA CÁMARA FRIGORÍFICA</b> .....	<b>41</b>
<b>DESCONGELACIÓN</b> .....	<b>43</b>
<b>ARREGLAR Y MOVER</b> .....	<b>44</b>
<b>LIMPIEZA Y MANTENIMIENTO</b> .....	<b>45</b>
<b>DEJE DE UTILIZAR</b> .....	<b>46</b>
<b>SOLUCIÓN DE PROBLEMAS</b> .....	<b>46</b>
<b>ESPECIFICACIONES</b> .....	<b>48</b>
<b>DISPOSAL</b> .....	<b>49</b>



**NOTA: Si el frigorífico/congelador ha estado colocado en posición horizontal o inclinado durante algún tiempo, espere 24 horas antes de enchufar la unidad.**

## INFORMACIÓN DE SEGURIDAD

### Advertencias e instrucciones de seguridad

- Lea atentamente las instrucciones de funcionamiento antes de utilizar el frigorífico.
- Conserve las instrucciones para consultarlas en el futuro.
- Debido a la actualización incesante del producto, es posible que el producto que compre no se ajuste completamente a las instrucciones. Sin embargo, no cubren el rendimiento del frigorífico ni su funcionamiento.
- Las instrucciones proporcionadas deben ser estrictamente observadas al instalar, operar y dar servicio al refrigerador.
- El fabricante no se hace responsable de los accidentes o daños causados por la inobservancia de las siguientes normas:

### ADVERTENCIAS Y PRECAUCIONES DE SEGURIDAD

- El suministro eléctrico del frigorífico debe coincidir con el indicado en la placa de características. De lo contrario, se dañará el frigorífico, por los daños y averías; el fabricante no se hace cargo del mantenimiento gratuito a pesar del tiempo protegido.
- La instalación y conexión del frigorífico debe realizarse siguiendo exactamente las instrucciones del manual. Las piezas de conexión deben ajustarse a las especificaciones indicadas en la placa de identificación.
- Si el cable de alimentación está dañado, debe ser sustituido por el fabricante o su agente de servicio o una persona cualificada similar con el fin de evitar un peligro.
- No dañe el circuito del frigorífico.
- La seguridad eléctrica sólo está garantizada cuando la nevera está conectada a un suministro eléctrico con toma de tierra y cableado adecuados.
- Para asegurar el funcionamiento normal de la nevera, por la mudanza de larga distancia, debe esperar 1/2-1 hora más o menos, luego encenderla.
- Después de un corte de electricidad, espere más de 5 minutos antes de volver a encender el frigorífico, o el compresor podría dañarse.
- No coloque ni utilice nada inflamable, como recipientes de gas, gasolina, u otra sustancia de este tipo cerca del frigorífico debido al riesgo de incendio, El alcohol de alta graduación debe almacenarse en botellas bien cerradas u otros recipientes y debe colocarse siempre en posición vertical. No almacene nunca sustancias explosivas en el frigorífico.
- No guarde botellas de vidrio llenas y cerradas en el congelador, ya que estallarían al congelarse.
- No coloque el frigorífico en un entorno húmedo o mojado. O en una posición en la que sea probable que reciba salpicaduras. Un entorno así debilitaría el aislamiento eléctrico o dejaría al descubierto cables con corriente, ya que los cables con

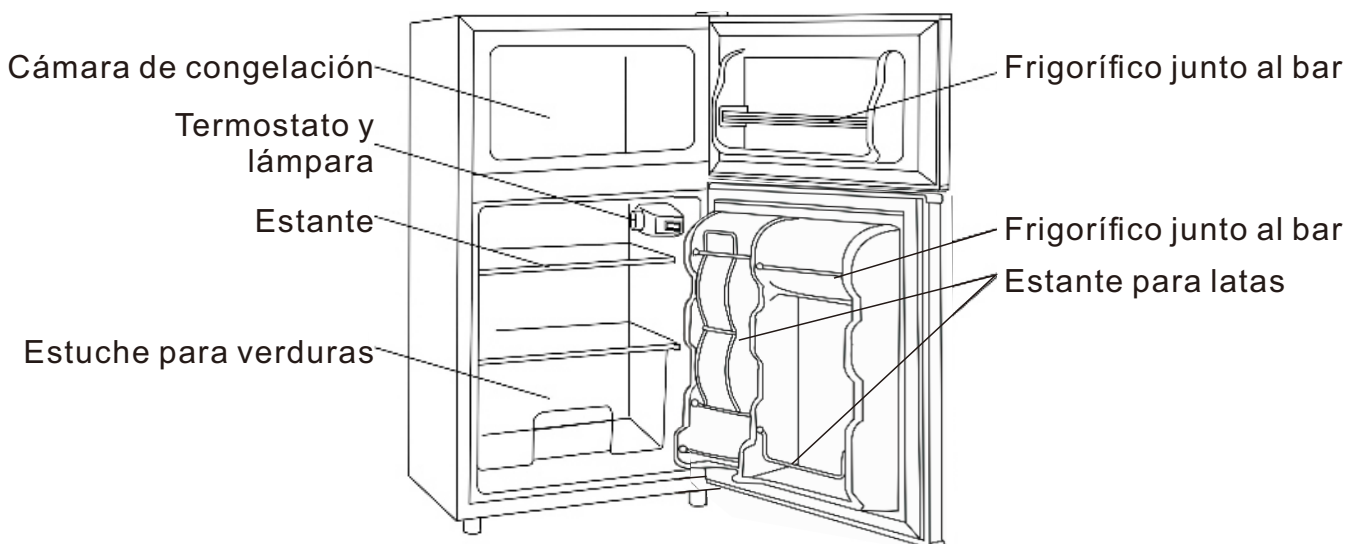
corriente son peligrosos y pueden provocar una descarga eléctrica o un incendio.

- No deje el frigorífico al alcance de niños sin supervisión.
- El frigorífico debe desconectarse de la corriente eléctrica en caso de avería o al limpiarlo y repararlo.
- Para retirar el enchufe de la toma de corriente, sujete firmemente el enchufe y tire de él. No tire del cable. No conecte el aparato a la red eléctrica con las manos mojadas o húmedas.
- No pise ni se apoye en la puerta del frigorífico o del congelador, ni en la tapa de la base del frigorífico.
- Para evitar congelaciones, no toque con la piel desnuda ni coma nada que se haya sacado directamente del congelador.
- Si se descubre una fuga de gas en la misma habitación que el frigorífico, cierre el suministro de gas. No abra la puerta del frigorífico ni desenchufe la clavija de la toma de corriente. Una pequeña chispa resultante de tales acciones podría provocar una explosión de gas. Abra todas las puertas y ventanas de la habitación para dispersar el gas.

**REGLAMENTO:**

Este frigorífico está destinado exclusivamente a refrigerar, congelar y almacenar alimentos y a fabricar hielo, y no debe utilizarse para ningún otro fin.

**PIEZAS Y CARACTERÍSTICAS**



**Aviso:** El accesorio interior es diferente para cada modelo de frigorífico.

## USO DE LA CÁMARA DE CONGELACIÓN Y LA CÁMARA FRIGORÍFICA

**CÁMARA DE CONGELACIÓN:** Una cámara para congelar alimentos o almacenar alimentos refrigerados y hacer una pequeña cantidad de hielo.

### AVISO:

- Al comprar alimentos precongelados, deben observarse las siguientes precauciones:
  1. Compruebe que el envase está intacto.
  2. Asegúrese de que los productos no han superado su fecha de caducidad.
  3. Comprobar que el termómetro del congelador donde se compran los alimentos indica una temperatura igual o inferior a  $-0,4^{\circ}\text{F}$ .
  4. Una vez comprados, los alimentos congelados deben exponerse al menor calor posible y deben introducirse en el congelador doméstico lo antes posible.
- Antes de introducir alimentos o bebidas calientes en la cámara, deben enfriarse de acuerdo con la temperatura interior.
- Antes de congelar los alimentos enváselos en recipientes o bolsas bien cerrados para que no pierdan su sabor, color o valor nutritivo y para que no se resequen.
  1. Los siguientes son materiales de envasado adecuados: bolsas de polietileno, papel de aluminio y recipiente a prueba de congelación. Todos estos materiales se pueden adquirir en grandes almacenes o tiendas especializadas en este ramo.
  2. Son materiales de embalaje inadecuados: el papel de embalar, el papel vitela, el celofán, las bolsas de basura y las bolsas de la compra usadas.
  3. Si es posible, elimine el aire del recipiente de embalaje.
  4. Antes de introducir alimentos envueltos en el congelador, marque la fecha en que los va a introducir y también el contenido. Para todo tipo de alimentos se pueden almacenar congelados, antes de que empiecen a deteriorarse.
- Cuando se produzca un corte de electricidad, las puertas del frigorífico deben abrirse lo menos posible. Evite introducir alimentos nuevos en la nevera o el congelador, ya que esto hará que la temperatura aumente a mayor velocidad.
- No manipules los alimentos congelados, ni los cojas directamente del congelador con las manos mojadas, ya que las manos mojadas se adhieren a los alimentos congelados.

### CUBITERA:

Llena la cubitera con tres cuartas partes de agua y métela en el congelador. Los cubitos pueden sacarse fácilmente de la cubitera girándola ligeramente.

- **Aviso:** Utilice agua hervida fría para hacer cubitos de hielo.
- No doble la bandeja de hielo para no romperla.
- No haga hielo con otro recipiente para no dañarlo.



**CÁMARA DE CONSERVACIÓN EN FRÍO:** Una cámara para no congelar alimentos y bebidas.

La temperatura del refrigerador sólo puede ralentizar la tasa de crecimiento de las bacterias hasta cierto punto, por lo que sólo es adecuado para el almacenamiento de alimentos a corto plazo.

Los siguientes alimentos son adecuados para su almacenamiento en el refrigerador: huevos, mantequilla, queso, leche, bebidas embotelladas, conservas, fruta glaseada, salsa fresca, pan, alimentos cocinados, carne, pescado, frutas y verduras, etc.

**Para conservar los alimentos en el frigorífico, deben observarse las siguientes instrucciones:**

- Selle o cubra bien los alimentos antes de meterlos en el frigorífico. Esto evitará que se sequen y los mantendrá frescos durante más tiempo, ayudándoles a conservar su color, propiedades nutritivas y sabor. Sellar o tapar bien todos los alimentos del frigorífico evitará que tengan sabores cruzados y que se sequen al aire.
- Lave y seque las verduras, frutas, etc. antes de guardarlas.
- Deje que los alimentos se enfríen antes de introducirlos en el frigorífico.
- La parte superior del frigorífico tiene la temperatura más baja y es la zona donde los alimentos se enfrían más rápidamente.
- La fruta y la verdura deben colocarse en la cesta para verduras.
- Mantenga un espacio entre todos los alimentos para permitir una buena ventilación y una temperatura uniforme.
- Evite que la mantequilla y el aceite de cocina entren en contacto con las piezas de plástico del interior de la nevera y con el revestimiento interior.
- Las bebidas deben estar bien cerradas y la botella colocada en posición vertical.
- Abra la puerta de la nevera sólo durante un tiempo mínimo para evitar fugas de aire frío.

**CAJÓN PARA VERDURAS:** El cajón para reservar verduras y frutas.

**TAPA DEL CAJÓN DE VERDURAS:** La tapa para controlar la temperatura de la verdura, fruta y evitar la deshidratación de la fruta vegetal. La tapa también se puede utilizar como plato.

**TENGA CUIDADO AL LIMPIAR EL CRISTAL PARA EVITAR QUE SE ROMPA.**

**ESTANTE:** Las latas, botellas o cervezas pueden colocarse reposadamente en la ranura del intelli-plate, El plato de botellas puede moverse suavemente sobre el plato de cristal según sus necesidades. Si no necesita utilizarlo, puede retirarse.

### POMO DEL REGULADOR DE TEMPERATURA (COMO GRÁFICO):

El botón se utiliza para regular la temperatura del frigorífico. La cifra de la perilla no significa un número específico de temperatura. El compresor no funcionará en la posición «0». Cuanto mayor sea la cifra, menor será la temperatura interior. En general, es aplicable que el interruptor se coloque en la posición media.

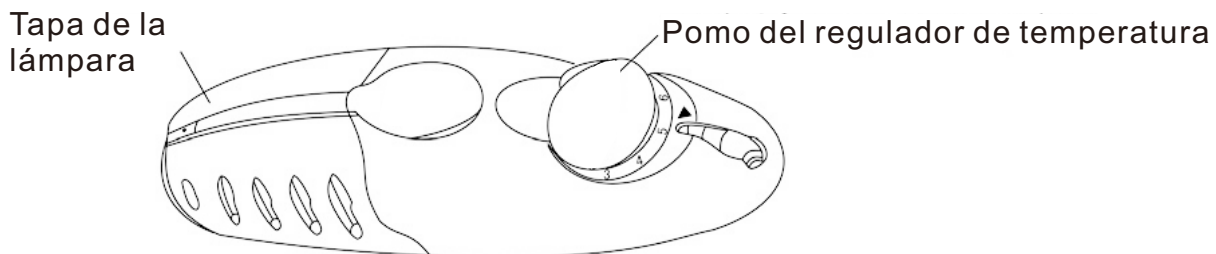
### AVISO:

- La temperatura del congelador puede parecer a veces demasiado alta. Esto se debe a que se ha almacenado una gran cantidad de alimentos en el frigorífico o a que la puerta del congelador se abre con frecuencia.
- Para mantener los alimentos frescos y ahorrar costes, el ajuste de la temperatura en el congelador debe ser de  $-0,4^{\circ}\text{F}$  a  $-4^{\circ}\text{F}$  bajo una temperatura ambiente normal. Una vez hecho el ajuste, deben evitarse los cambios frecuentes.
- En verano, cuando la temperatura ambiente es más alta, los termostatos de las compuertas del refrigerador pueden colocarse en la posición 3. En invierno, cuando la temperatura ambiente es más baja, los termostatos de las compuertas del refrigerador pueden colocarse en la posición 1.

### LAMPARA INTERIOR:

Technical data: 220-240V/50Hz, 10W

Controlado por el interruptor de la puerta: Cuando se abre la puerta, la luz se encenderá, de lo contrario se apagará.



## DESCONGELACIÓN

El agua contenida en los alimentos o que penetra en el aire del interior del frigorífico al abrir las puertas puede formar una capa de escarcha en el interior. Esto debilitará la refrigeración y desperdiciará energía.

Descongele el frigorífico cuando el espesor de la escarcha esté entre 4 mm y 6 mm.

### DESCONGELACIÓN DE LA CÁMARA DE CONGELACIÓN

La descongelación en la cámara de congelación se realiza manualmente. Antes de descongelar, saque los alimentos o póngalos temporalmente a la temperatura de almacenamiento en frío, luego ajuste la perilla del regulador de temperatura a la posición «0» donde el compresor dejará de funcionar y déjelo abierto hasta que el hielo y la escarcha se disuelvan completamente, limpie el agua con un paño suave. Asegúrese de volver a poner el mando en la posición original después de descongelar.

**ADVERTENCIA:**

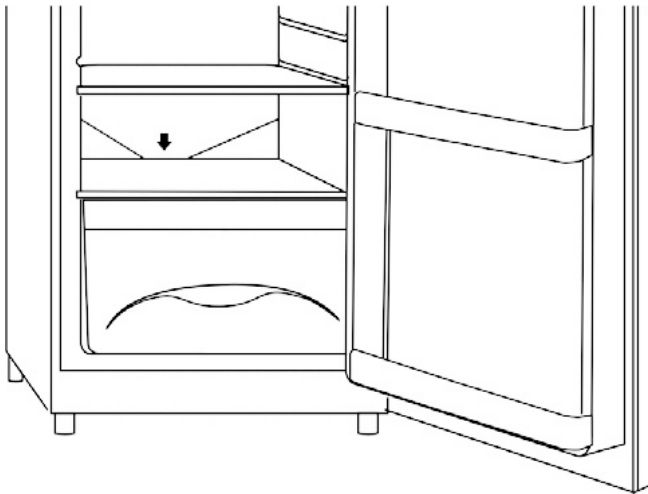
Tampoco es aconsejable raspar el hielo y la escarcha con aparatos, como herramientas afiladas, barras de madera, etc., o con dispositivos mecánicos u otros medios manuales, como agua caliente, recipiente térmico, etc., que no sean los recomendados por el fabricante, para no dañar la carcasa interior o la superficie del evaporador.

**DESCONGELACIÓN DE LA CÁMARA FRIGORÍFICA**

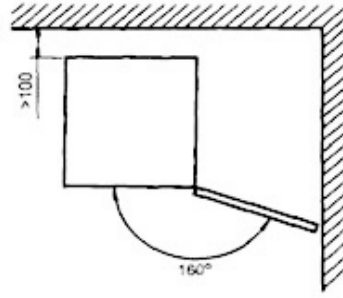
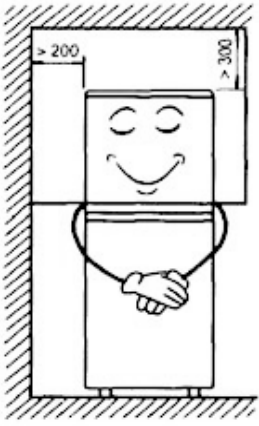
Es automático que la cámara frigorífica no necesite descongelación. El agua de la descongelación será drenada en el recipiente ubicado en la parte superior del compresor a través de los tubos de drenaje de la parte posterior del refrigerador y se evaporará automáticamente.

**AVISO:**

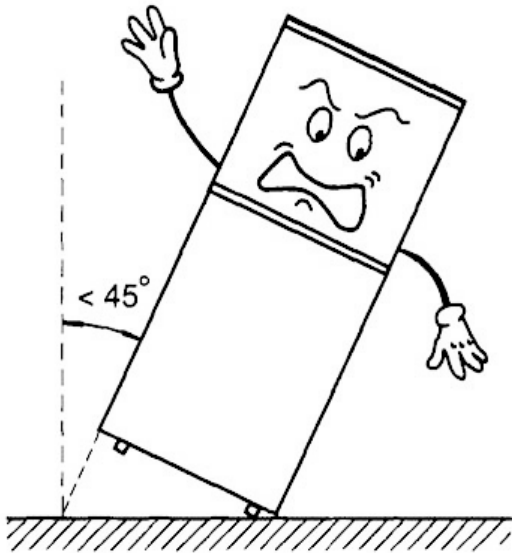
Asegúrese de mantener el orificio de drenaje desbloqueado, si se bloquea, puede canalizar el ojal con barras de madera afiladas.

**ARREGLAR Y MOVER**

1. Los dos frentes deben ajustarse para que el frigorífico quede estable. Las patas deben estar totalmente en contacto con el suelo para evitar vibraciones y ruidos.
2. No coloque el frigorífico cerca de una fuente de calor ni lo exponga a la luz solar directa. Si el frigorífico se coloca cerca de una fuente de calor debe utilizarse una placa aislante y respetar la siguiente distancia mínima entre el frigorífico y la fuente de calor:
  - 30cm de otro aparato eléctrico no utilizado para cocinar
  - 30cm de una estufa u otra instalación para cocinar
3. El frigorífico debe colocarse en una habitación seca y bien ventilada. Debe mantenerse una distancia de más de 100mm de la pared, 300mm de la parte superior y 200mm de ambos lados del frigorífico para una correcta circulación del aire. Las rejillas de entrada y salida de ventilación y otras vías de aire no deben taparse nunca. Y debe dejarse un espacio libre para abrir sus puertas a 160° (Según gráfico)



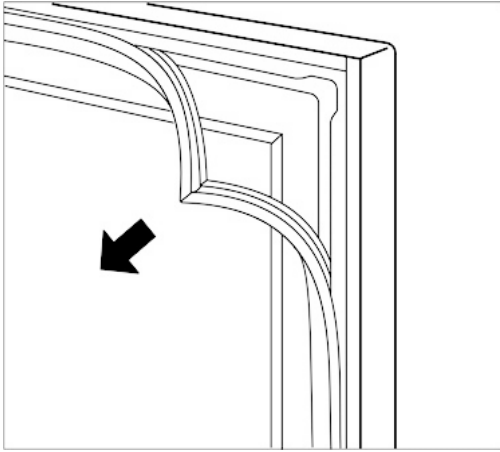
4. Al fijar el refrigerador, el paquete espumante debe ser anulado. (incluido el fondo espumante)
5. Cuando se mueva, el frigorífico no puede inclinarse más de  $45^\circ$  ni ponerse boca abajo. (Según gráfico)



## LIMPIEZA Y MANTENIMIENTO

El frigorífico debe limpiarse una vez al mes.

1. Antes de proceder a la limpieza, desconecte el frigorífico de la red eléctrica.
2. Durante la limpieza, no permita que entre agua en la luz interior.
3. Limpie la superficie interior y exterior de la nevera y sus accesorios con un paño húmedo. Si están muy sucios, frótelos con detergente neutro.
4. Algunos accesorios deben limpiarse, como la huevera, la bandeja, la cubierta para verduras, etc.
5. El agua tibia con un poco de detergente o desinfectante suave es adecuada para limpiar todo el frigorífico excepto la junta de la puerta. (Se limpian desmontando directamente de la puerta por partes de producto) (Como gráfico)



6. El compresor situado en la parte trasera del frigorífico debe limpiarse al menos una vez al año. Quite el polvo del compresor con un cepillo, Hay polvo en la superficie exterior del compresor; aumentará el volumen de consumo de energía.
7. No deben utilizarse productos de limpieza que contengan abrasivos o ácidos, ni tampoco las siguientes sustancias: alcaloides, jabón, abrasivos, agua caliente, cepillo, plátano, aceite, gasolina, alcohol de alta graduación, etc.

## DEJE DE UTILIZAR

1. Cuando deje de utilizar el frigorífico, desconéctelo directamente de la red eléctrica.
2. Si ha decidido dejar de utilizar el frigorífico durante algún tiempo, haga lo siguiente: Primero apague el frigorífico, luego limpie el interior y deje la puerta ligeramente abierta para ventilar.

**NOTA:** Dejar de utilizar la nevera con frecuencia reducirá su vida útil.

## SOLUCIÓN DE PROBLEMAS

No todos los problemas son tan graves como para llamar al servicio de atención al cliente. Antes de pedir ayuda, compruebe si el problema puede resolverse con ayuda de los siguientes consejos.

### • Ruidos inusuales:

1. Compruebe si el frigorífico está apoyado firmemente sobre un suelo nivelado y si todos los accesorios están bien sujetos. Además, las tuberías de la parte inferior trasera del frigorífico no deben tocarse entre sí, y el compresor no debe estar en contacto con otros objetos.

### • No hay refrigeración:

Compruebe si el suministro eléctrico está cortado, el fusible quemado, el enchufe no encaja en la toma o el voltaje es incorrecto.

- **La lámpara no funciona:**

Es posible que la lámpara se haya fundido. En tal caso, sustitúyala por una lámpara de 10W/115V.

- **Deterioro del rendimiento de refrigeración:**

Compruebe que el termostato no esté demasiado caliente, que la puerta esté bien cerrada, que no se hayan acumulado gruesas capas de hielo en el congelador, que la puerta no se abra con demasiada frecuencia, que no se hayan introducido demasiados alimentos en el frigorífico o que no se hayan introducido alimentos demasiado calientes en el frigorífico.

- **Deja de funcionar:**

Compruebe si hay un fallo de alimentación, la tensión de alimentación es excesivamente baja, el enchufe de alimentación hace buen contacto y el regulador de temperatura apunta a la posición «0».

- **Alimentos congelados en la cámara frigorífica:**

Compruebe si el dial de control de temperatura está ajustado demasiado grande y si los alimentos almacenados están en contacto con la fuente de frío de la parte posterior del armario.

- **El agua rebosa después de la descongelación:**

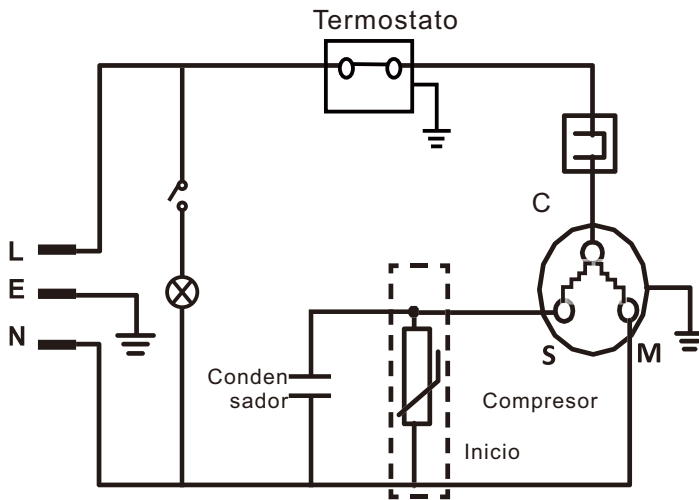
Compruebe que el orificio de drenaje no esté bloqueado y que la bandeja de drenaje esté bien fijada.

- **Fenómenos normales:**

1. Puede aparecer rocío en el exterior del frigorífico si la humedad exterior es alta. Esto se puede secar con un paño.
2. La zona donde la junta de la puerta se adhiere al frigorífico puede estar caliente. Esto es causado por el dispositivo de calentamiento para evitar el rocío y la escarcha.
3. A veces puede oírse un ruido de burbujeo/ traqueteo. Esto se debe a que el refrigerante fluye por el tubo de refrigeración o a que la nevera está en modo de arranque o cierre.
4. La temperatura del compresor puede alcanzar 176°F.

**ESPECIFICACIONES**

**ESQUEMA DE LOS CIRCUITOS**



**Nota: Especificaciones sujetas a cambios sin previo aviso.**

**ELECTRIC PARAMETER**

Modelo	800-128V90_800-128V91
Tensión nominal	220-240V~
Frecuencia nominal	50Hz
Corriente nominal de refrigeración	1,0A
Potencia de la lámpara: 10W para lámpara incandescente o 1W para LEDlamp	
Clase de protección	I
Clase climática	N, ST, T
Refrigerante	R600a/36g
Soplado de gas	C <sub>5</sub> H <sub>10</sub>
Clasificación	60W
Volumen total	88L
Volumen del compartimento de alimentos frescos	63L
3 estrellas Volumen del compartimento:	25L
Consumo de energía af E32	0.60kWh/24h
Consumo anual de energía.	167kWh/a
Aumento de temperatura.	9Horas
Eficiencia energética	E

## DISPOSAL

La carcasa del aparato está formada por ciclopentano. El aparato viejo contiene materiales nocivos y debe desecharse con la basura a granel.



1. Retire el cierre de resorte o pestillo del aparato o inutilícelo para que los niños no puedan quedar atrapados en su interior y asfixiarse.
2. Asegúrese de que el circuito de refrigerante no esté dañado antes de retirar el aparato que ya no necesita para su eliminación. De este modo, el refrigerante no escapará al medio ambiente.

Encontrará información sobre el refrigerante y los materiales aislantes utilizados en la placa de características y en las instrucciones de eliminación del aparato.

Puede obtener información sobre fechas o puntos de recogida en las autoridades de eliminación de residuos o en su ayuntamiento.

## AVISO

Este aparato no está diseñado para ser utilizado por personas (incluidos niños) con capacidades físicas, sensoriales o mentales reducidas, o con falta de experiencia y conocimientos, a menos que hayan recibido supervisión o instrucciones sobre el uso del aparato por parte de una persona responsable de su seguridad.

Los niños deben ser supervisados para asegurarse de que no juegan con el aparato.

**El proveedor se reserva el derecho de realizar cambios ELÉCTRICOS, TÉCNICOS y ESTÉTICOS en los dispositivos y/o sustituir piezas sin previo aviso para ofrecer siempre una tecnología más fiable, duradera y avanzada. El proveedor pide disculpas por los posibles errores de impresión.**

# **CONTENTS**

<b>INFORMAÇÕES DE SEGURANÇA</b> .....	<b>51</b>
<b>PEÇAS E CARACTERÍSTICAS</b> .....	<b>52</b>
<b>UTILIZAÇÃO DA CÂMARA DE CONGELAÇÃO E DA CÂMARA FRIGORÍFICA</b> ..	<b>53</b>
<b>DESCONGELAÇÃO</b> .....	<b>56</b>
<b>FIXAÇÃO E DESLOCAÇÃO</b> .....	<b>57</b>
<b>LIMPEZA E MANUTENÇÃO</b> .....	<b>58</b>
<b>DEIXAR DE UTILIZAR</b> .....	<b>58</b>
<b>RESOLUÇÃO DE PROBLEMAS</b> .....	<b>59</b>
<b>ESPECIFICAÇÕES</b> .....	<b>60</b>
<b>ELIMINAÇÃO</b> .....	<b>61</b>



**NOTA: Se o frigorífico/congelador tiver sido colocado na posição horizontal ou inclinada durante algum período de tempo, aguarde 24 horas antes de ligar a unidade.**

## INFORMAÇÕES DE SEGURANÇA

### Avisos e instruções de segurança

- Leia atentamente o manual de instruções antes de utilizar o frigorífico.
- Guarde as instruções para consulta futura.
- Devido à atualização constante do produto, o produto que comprar pode não estar totalmente de acordo com as instruções. No entanto, estas não cobrem o desempenho e o funcionamento do frigorífico.
- As instruções fornecidas devem ser rigorosamente respeitadas aquando da instalação, do funcionamento e da manutenção do frigorífico.
- O fabricante não se responsabiliza por quaisquer acidentes ou danos causados pelo incumprimento das seguintes regras:

### ADVERTÊNCIAS E PRECAUÇÕES DE SEGURANÇA:

- A utilização da fonte de alimentação do frigorífico deve estar de acordo com a fonte de alimentação indicada na placa de identificação. Caso contrário, danificará o frigorífico, por danos e avarias; o fabricante não efectua manutenção gratuita apesar do tempo protegido.
- A instalação e a ligação do frigorífico devem ser efectuadas exactamente de acordo com as instruções fornecidas no manual. As peças de ligação devem estar em conformidade com as especificações indicadas na placa de identificação.
- Se o cabo de alimentação estiver danificado, deve ser substituído pelo fabricante, pelo seu agente de assistência ou por uma pessoa qualificada para o efeito, a fim de evitar qualquer perigo.
- Não danificar o circuito do frigorífico.
- A segurança eléctrica só é garantida se o frigorífico estiver ligado a uma fonte de alimentação eléctrica devidamente ligada à terra.
- Para garantir o funcionamento normal do frigorífico, ao deslocar-se a longa distância, deve aguardar cerca de 1/2-1 hora e depois ligá-lo.
- Após uma falha de eletricidade, aguarde mais de 5 minutos antes de voltar a ligar o frigorífico, caso contrário o compressor pode ficar danificado.
- Não coloque nem utilize nada inflamável, como botijas de gás, gasolina ou outras substâncias do género, perto do frigorífico devido ao risco de incêndio. O álcool de alta pureza deve ser guardado em garrafas ou outros recipientes bem fechados e deve ser sempre colocado na posição vertical. Nunca guarde substâncias explosivas no frigorífico.
- Não guarde garrafas de vidro cheias e seladas no congelador, uma vez que estas rebentam ao congelar.
- Não coloque o frigorífico num ambiente húmido ou molhado. Ou num local onde seja provável que sofra salpicos de água. Este tipo de ambiente enfraqueceria o

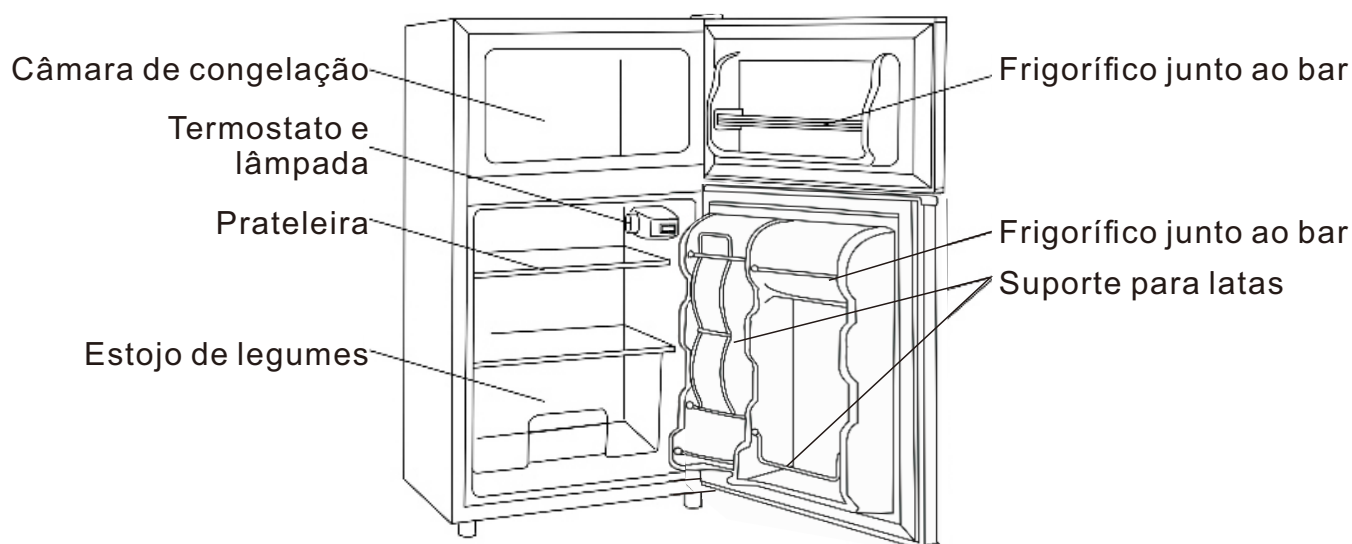
isolamento elétrico ou exporia os fios sob tensão, sendo que os fios sob tensão são perigosos e podem provocar um choque elétrico ou um incêndio.

- As crianças não devem ser deixadas sem supervisão com o frigorífico.
- O frigorífico deve ser desligado da corrente eléctrica em caso de avaria ou durante a limpeza e reparação.
- Para retirar a ficha da tomada, agarre-a com firmeza e puxe-a para fora. Não puxar pelo cabo. Não ligar o aparelho a tomadas eléctricas com as mãos molhadas ou húmidas.
- Não pise nem se encoste à porta da geleira ou do congelador, nem à tampa da base do frigorífico.
- Para evitar queimaduras pelo frio, não tocar com a pele nua nem comer nada que tenha sido diretamente retirado do congelador.
- Se for detectada uma fuga de gás na mesma divisão que o frigorífico, desligue o fornecimento de gás. Não abra a porta do frigorífico e não retire a ficha da alimentação eléctrica principal. Uma pequena faísca resultante de tais acções pode provocar uma explosão de gás. Abra todas as portas e janelas da divisão para dispersar o gás.

#### REGULAMENTOS:

Este frigorífico destina-se exclusivamente a refrigerar, congelar e armazenar alimentos e a fazer gelo e não deve ser utilizado para qualquer outro fim

### PEÇAS E CARACTERÍSTICAS



**Aviso:** O acessório interior é diferente para cada modelo de frigorífico.

## UTILIZAÇÃO DA CÂMARA DE CONGELAÇÃO E DA CÂMARA FRIGORÍFICA

**CÂMARA DO CONGELADOR:** Uma câmara para congelar alimentos ou armazenar alimentos no frigorífico e fazer uma pequena quantidade de gelo.

### AVISO:

- Ao comprar alimentos prontos congelados, as seguintes precauções devem ser observadas:
  1. Verifique se a embalagem está intacta.
  2. Certificar-se de que os produtos não ultrapassaram o prazo de validade.
  3. Verifique se o termómetro do congelador onde os alimentos estão a ser comprados está a indicar uma temperatura igual ou inferior a  $-0,4^{\circ}\text{F}$ .
  4. Uma vez comprados, os alimentos congelados devem ser expostos ao mínimo de calor possível e devem ser colocados no congelador doméstico o mais rapidamente possível.
- Antes de colocar alimentos quentes ou bebidas quentes na câmara, estes devem ser arrefecidos de acordo com a temperatura interior.
- Antes de congelar, embale os alimentos em recipientes ou sacos bem fechados para que não percam o sabor, a cor ou o valor nutricional e para que não sequem.
  1. Os materiais de embalagem adequados são os seguintes: sacos de polietileno, folha de alumínio e recipiente à prova de congelação. Todos estes materiais podem ser adquiridos em grandes armazéns ou lojas especializadas neste tipo de comércio.
  2. Os seguintes materiais de embalagem não são adequados: papel de embrulho, papel velino, celofane, sacos do lixo e sacos de compras usados.
  3. Se possível, eliminar o ar do recipiente de embalagem.
  4. Antes de colocar os alimentos embalados no congelador, marque a data em que os alimentos estão a ser colocados no congelador e marque também o conteúdo. Todos os tipos de alimentos podem ser armazenados congelados, antes de começarem a deteriorar-se.
- Em caso de corte de energia, as portas do frigorífico devem estar abertas o menos possível. Evite colocar alimentos novos no frigorífico ou no congelador, pois isso fará com que a temperatura suba mais rapidamente.
- Não manuseie os alimentos congelados nem os retire diretamente do congelador com as mãos molhadas, pois as mãos molhadas aderem aos alimentos congelados.

### BANDEJA DE GELO:

Encha o tabuleiro de gelo com três quartos de água e coloque-o no congelador. Os cubos de gelo podem ser facilmente retirados do tabuleiro de gelo rodando-o ligeiramente.

- Aviso: Utilize água fervida fresca para fazer cubos de gelo.
- Não dobre o tabuleiro de gelo para não o partir.
- Não faça gelo com outro recipiente para não o danificar.



**CÂMARA DE ARREFECIMENTO:** Uma câmara para não congelar alimentos e bebidas

A temperatura da câmara frigorífica só pode abrandar a taxa de crescimento das bactérias até um certo ponto e, por isso, só é adequada para o armazenamento de alimentos a curto prazo.

Os seguintes alimentos são adequados para serem armazenados na câmara frigorífica: ovos, manteiga, queijo, leite, bebidas engarrafadas, alimentos enlatados, fruta glaceada, molho fresco, pão, alimentos cozinhados, carne, peixe, fruta e legumes, etc.

**Ao armazenar alimentos no frigorífico, devem ser respeitadas as seguintes instruções:**

- Selar ou cobrir bem os alimentos antes de os colocar no frigorífico, o que evitará que sequem e os manterá frescos durante mais tempo, ajudando-os a conservar a cor, a nutrição e os sabores. Selar ou tapar bem todos os alimentos no frigorífico evitará que se misturem e que fiquem secos ao ar.
- Lave e seque os legumes e a fruta, etc. antes de os guardar.
- Deixar arrefecer os alimentos antes de os colocar no frigorífico.
- A parte superior do frigorífico tem a temperatura mais baixa e é a zona onde os alimentos arrefecem mais rapidamente.
- A fruta e os legumes devem ser colocados no cesto dos legumes.
- Mantenha um espaço entre todos os alimentos para permitir uma boa ventilação e uma temperatura uniforme.
- Evite que a manteiga e o óleo de cozinha entrem em contacto com as peças de plástico no interior da arca frigorífica e com o revestimento interior.
- As bebidas devem estar bem fechadas e a garrafa deve ser colocada na vertical.
- Abrir a porta da geleira apenas durante um período mínimo de tempo para evitar a fuga de ar frio.

- **GAVETA DE LEGUMES:** A gaveta para reservar legumes e frutas.
- **TAMPA DA GAVETA DOS LEGUMES:** A tampa permite controlar a temperatura dos legumes e da fruta e evitar a desidratação dos legumes e da fruta.  
TER CUIDADO AO LIMPAR O VIDRO PARA EVITAR QUE ESTE SE PARTA.
- **PRATELEIRA:** As latas, garrafas ou cervejas podem ser colocadas de forma repousante na ranhura da intelli-plate. A placa para garrafas pode ser movida suavemente na placa de vidro de acordo com as suas necessidades.

### **BOTÃO DO REGULADOR DE TEMPERATURA (CONFORME GRÁFICO):**

O botão é utilizado para regular a temperatura do frigorífico. O número do botão não significa um número específico de temperatura. O compressor não funcionará na posição "0". Quanto maior o número, mais baixa é a temperatura interior. Em geral, é aplicável que o interruptor seja colocado na posição intermédia.

### **AVISO:**

- A temperatura do congelador pode, por vezes, parecer demasiado elevada. Isto deve-se ao facto de uma grande quantidade de alimentos ser armazenada no frigorífico ou de a porta do congelador ser aberta frequentemente.
- Para manter os alimentos frescos e poupar custos, a definição da temperatura no congelador deve ser de  $-0,4^{\circ}\text{F}$  a  $-4^{\circ}\text{F}$  sob uma temperatura ambiente normal. Mudanças frequentes devem ser evitadas uma vez que a configuração é feita.
- No verão, quando a temperatura ambiente é mais elevada, os termóstatos do amortecedor do refrigerador podem ser colocados na posição 3. No inverno, quando a temperatura ambiente é inferior à temperatura ambiente, os termóstatos do amortecedor do refrigerador podem ser colocados na posição 1.

### **LÂMPADA INTERNA:**

Technical data: 220-240V/50Hz, 10W

Controlada pelo interruptor da porta: Quando se abre a porta, a luz acende-se, caso contrário, abaixa-se

Tampa da lâmpada



Botão do regulador de temperatura

## DESCONGELAÇÃO

A água contida nos alimentos ou que entra no ar dentro do frigorífico ao abrir as portas pode formar uma camada de gelo no interior.

Descongele o seu frigorífico quando a espessura do gelo estiver entre 4 mm e 6 mm.

### DESCONGELAÇÃO DA CÂMARA DE CONGELAÇÃO

A descongelação na câmara de congelação é efectuada manualmente. Antes de descongelar, retire os alimentos ou coloque-os temporariamente na temperatura de conservação a frio, depois coloque o botão do regulador de temperatura na posição "0", onde o compressor deixará de funcionar, e deixe a câmara aberta até o gelo e a geada se dissolverem completamente, limpe a água com um pano macio. Pode certificar-se de que coloca o botão na posição original depois de descongelar.

### ATENÇÃO:

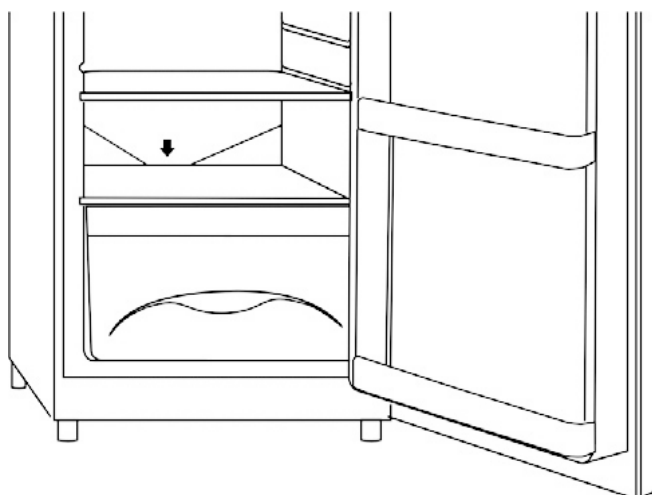
Também não é aconselhável raspar o gelo e o gelo com aparelhos, tais como ferramentas afiadas, barras de madeira, etc., ou com dispositivos mecânicos ou outros meios manuais, tais como água quente, recipiente de aquecimento, etc., para além dos recomendados pelo fabricante, de modo a não danificar o invólucro interior ou a superfície do evaporador.

### DESCONGELAÇÃO DA CÂMARA DE REFRIGERAÇÃO

É automático que a câmara de armazenamento a frio não necessita da operação de descongelação. A água da descongelação será drenada para um recipiente situado na parte superior do compressor através de um tubo de drenagem na parte de trás do frigorífico e evaporar-se-á automaticamente (conforme a tabela).

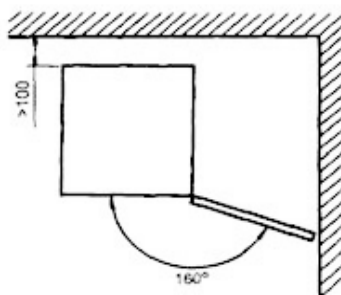
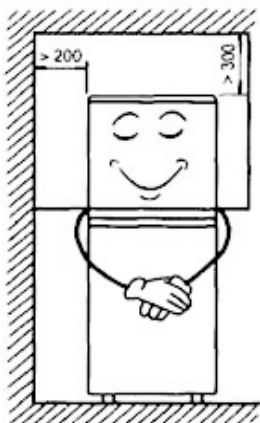
### AVISO:

Certifique-se de que mantém o orifício de drenagem desbloqueado. Se estiver bloqueado, pode canalizar o ilhó com barras de madeira afiadas.

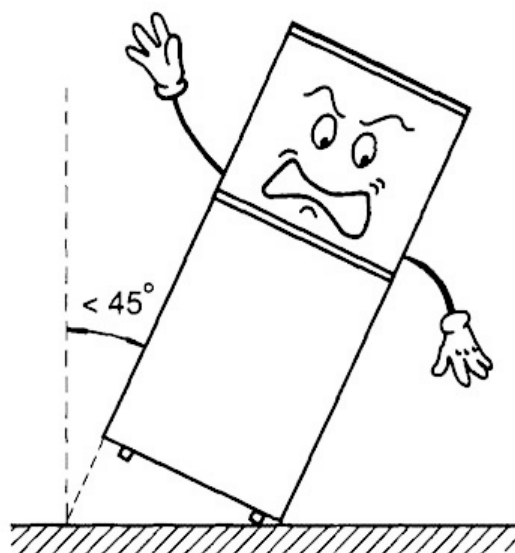


## FIXAÇÃO E DESLOCAÇÃO

1. O frigorífico deve ser colocado num local nivelado e sólido. As duas frentes devem ser ajustadas para tornar o frigorífico estável. As pernas devem estar totalmente em contacto com o chão para evitar vibrações e ruídos.
2. Não coloque o frigorífico perto de uma fonte de calor nem o exponha à luz solar direta. Se o frigorífico for colocado perto de uma fonte de calor, deve ser utilizada uma placa de isolamento e deve ser respeitada a seguinte distância mínima entre o frigorífico e a fonte de calor
  - 30 cm de outro aparelho elétrico não utilizado para cozinhar
  - 30 cm de um fogão ou de outra instalação de cozedura
3. o frigorífico deve ser colocado numa sala seca e bem ventilada. Deve ser mantida uma distância de mais de 100 mm da parede, 300 mm do topo e 200 mm de ambos os lados do frigorífico para uma circulação de ar adequada. As grelhas de entrada e saída de ventilação e outras vias respiratórias nunca devem ser tapadas. E deve ser deixado um espaço livre para abrir as portas a 160° (conforme gráfico)



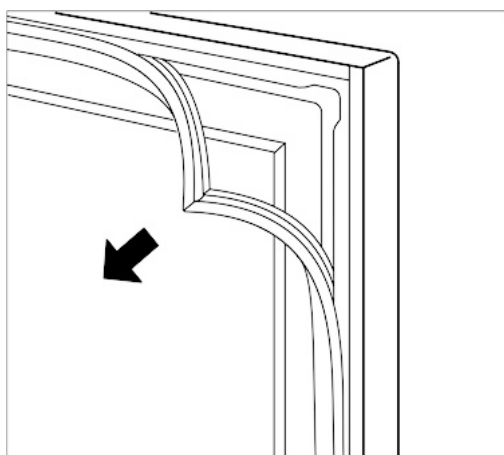
4. Ao fixar o frigorífico, a embalagem de espuma deve ser cancelada. (incluindo o fundo de espuma)
5. Quando deslocado, o frigorífico não pode ser inclinado a mais de 45° ou virado de cabeça para baixo. (Conforme tabela)



## LIMPEZA E MANUTENÇÃO

O frigorífico deve ser limpo uma vez por mês.

1. Antes de limpar, desligue o frigorífico da corrente eléctrica.
2. Durante a limpeza, não deixar entrar água na luz interior.
3. Limpe a superfície interior e exterior do frigorífico e os seus acessórios com um pano húmido. Se estiverem muito sujos, esfregue-os com detergente neutro.
4. Alguns acessórios devem ser limpos, como a prateleira dos ovos, o tabuleiro, a tampa dos legumes, etc.
5. A água morna com um pouco de detergente ou desinfetante suave é adequada para limpar todo o frigorífico, exceto a vedação da porta. Limpe a vedação da porta apenas com água limpa e, em seguida, esfregue-a bem para secar. (A limpeza é feita desmontando diretamente da porta as partes do produto) (Conforme tabela)



6. O compressor localizado na parte de trás do frigorífico deve ser limpo pelo menos uma vez por ano. Limpar o pó do compressor com uma escova. Existe pó na superfície exterior do compressor, o que aumentará o volume do consumo de energia.
7. Não devem ser utilizados agentes de limpeza que contenham abrasivos ou ácidos. Também não devem ser utilizadas as seguintes substâncias: alcalóides, sabão, abrasivos, água quente, escova, banana, óleo, gasolina, álcool de alta qualidade, etc.

## DEIXAR DE UTILIZAR

1. Quando deixar de utilizar o frigorífico, desligue-o desligando diretamente a ficha da alimentação eléctrica.
2. Se tiver decidido deixar de utilizar o frigorífico durante algum tempo, proceda da seguinte forma: Primeiro, desligue o frigorífico, depois limpe o interior e deixe a porta ligeiramente aberta para ventilar.

**NOTA:** A interrupção frequente da utilização do frigorífico diminui a sua vida útil.

## RESOLUÇÃO DE PROBLEMAS

Nem todos os problemas são suficientemente graves para justificar a chamada do pessoal do serviço de vendas. Antes de pedir ajuda, verifique se o problema pode ser resolvido com a ajuda das dicas seguintes.

- **Ruídos invulgares:**

1. Verifique se o frigorífico está bem assente num solo nivelado e se as fixações estão todas seguras. Além disso, os tubos na parte inferior traseira do frigorífico não devem estar em contacto uns com os outros e o compressor não deve estar em contacto com outros objectos.

- **Sem arrefecimento:**

Verifique se a fonte de alimentação está cortada, se o fusível está queimado, se a ficha não encaixa na tomada ou se a tensão está errada.

- **A lâmpada não funciona:**

A lâmpada pode ter-se queimado. Se isso acontecer, substitua-a por uma lâmpada de 10W/115V.

- **Deterioração do desempenho de arrefecimento:**

Verifique se a regulação do termóstato não está demasiado quente, se a porta está bem fechada, se não se acumularam camadas espessas de gelo no congelador, se a porta não está a ser aberta com demasiada frequência, se não foram colocados demasiados alimentos no frigorífico ou se não estão a ser colocados alimentos demasiado quentes no frigorífico.

- **Deixar de funcionar:**

Verificar se há uma falha de corrente, se a tensão de alimentação é demasiado baixa, se a ficha de alimentação faz bom contacto e se o regulador de temperatura aponta para a posição "0".

- **Alimentos congelados na câmara de frio:**

Verifique se o regulador de temperatura está demasiado grande e se os alimentos armazenados estão em contacto com a fonte de frio da parte de trás do armário.

- **A água transbordou após a descongelação:**

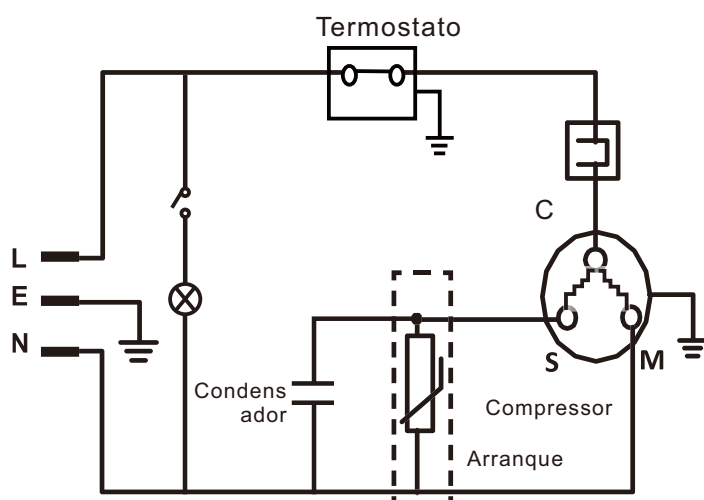
Verificar se o orifício de drenagem não está bloqueado e se o recipiente de drenagem está bem fixo.

- **Fenómenos normais:**

1. Pode aparecer orvalho no exterior do frigorífico se a humidade externa for elevada. Este pode ser limpo com um pano.
2. A área onde o vedante da porta adere ao frigorífico pode estar quente. Isto é causado pelo dispositivo de aquecimento para evitar o orvalho e a geada.
3. Por vezes, pode ouvir-se um ruído de borbulhar/chocalhar. Isto deve-se ao fluxo de refrigerante no tubo de refrigeração ou ao facto de o frigorífico estar em modo de arranque ou de fecho.
4. A temperatura do compressor pode atingir 176°F

## ESPECIFICAÇÕES

### DIAGRAMA DO CIRCUITO



**Nota: As especificações estão sujeitas a alterações sem aviso prévio.**

### PARÂMETRO ELÉCTRICO

Modelo	800-128V70_800-128V71
Tensão nominal	220-240V~
Frequência nominal	50Hz
Corrente de arrefecimento nominal	1,0A
Potência da lâmpada: 10W para lâmpada incandescente ou 1W para lâmpada LED	
Classe de proteção	I
Classe climática	N, ST, T
Refrigerante	R600a/36g
Gás de sopro	C <sub>5</sub> H <sub>10</sub>
Classificação	60W
Volume total	88L
Volume do compartimento para alimentos frescos	63L
3 estrelas Volume do compartimento:	25L
Consumo de energia af E32	0.60kWh/24h
Consumo anual de energia.	167kWh/a
Aumento da temperatura.	9Hora
Eficiência energética	E

## ELIMINAÇÃO

O armário do aparelho é formado por ciclopentano. O aparelho antigo contém materiais nocivos e deve ser eliminado juntamente com os resíduos sólidos.



1. Retirar o fecho de mola ou de parafuso do aparelho ou inutilizá-lo, para que as crianças não possam ficar presas no seu interior e sufocar.
2. Certificar-se de que o circuito de refrigeração não está danificado antes de eliminar o aparelho que já não é necessário. Desta forma, o refrigerante não se libertará para o ambiente.

As informações relativas ao refrigerante e aos materiais de isolamento utilizados encontram-se na placa de características e nas instruções de eliminação do aparelho.

As informações sobre as datas de recolha ou os pontos de recolha podem ser obtidas junto das autoridades responsáveis pela eliminação de resíduos ou do seu município.

## AVISO

Este aparelho não se destina a ser utilizado por pessoas (incluindo crianças) com capacidades físicas, sensoriais ou mentais reduzidas, ou com falta de experiência e conhecimentos, exceto se tiverem recebido supervisão ou instruções relativas à utilização do aparelho por uma pessoa responsável pela sua segurança.

As crianças devem ser vigiadas para garantir que não brincam com o aparelho.

**O fornecedor reserva-se o direito de efetuar alterações ELÉCTRICAS, TÉCNICAS e ESTÉTICAS nos aparelhos e/ou substituir peças sem aviso prévio para oferecer sempre uma tecnologia mais fiável, duradoura e avançada. O fornecedor pede desculpa por eventuais erros de impressão.**

# CONTENUTI

INFORMAZIONI SULLA SICUREZZA.....	63
PARTI E CARATTERISTICHE.....	64
UTILIZZO DELLA CAMERA DI CONGELAMENTO E DELLA CAMERA DI CONSERVAZIONE DEL FREDDO.....	65
SBRINAMENTO.....	68
RIPARAZIONE E SPOSTAMENTO.....	69
PULIZIA E MANUTENZIONE.....	70
SMETTERE DI USARE.....	70
RISOLUZIONE DEI PROBLEMI.....	71
SPECIFICHE.....	72
SMALTIMENTO.....	73



**NOTA: se il frigorifero/congelatore è stato collocato in posizione orizzontale o inclinata per un qualsiasi periodo di tempo, attendere 24 ore prima di collegare l'unità.**

## INFORMAZIONI SULLA SICUREZZA

### Avvertenze e istruzioni di sicurezza

- Prima di utilizzare il frigorifero, leggere attentamente le istruzioni per l'uso.
- Conservare le istruzioni per poterle consultare in futuro.
- A causa dell'incessante aggiornamento del prodotto, il prodotto acquistato potrebbe non essere completamente conforme alle istruzioni. Tuttavia, esse non coprono le prestazioni del frigorifero e il suo funzionamento.
- Le istruzioni fornite devono essere rigorosamente osservate durante la messa in funzione, il funzionamento e la manutenzione del frigorifero.
- Il produttore non è responsabile di eventuali incidenti o danni causati dall'inosservanza delle seguenti regole:

### AVVERTENZE E PRECAUZIONI DI SICUREZZA:

- L'alimentazione del frigorifero deve corrispondere a quella indicata nella targhetta. In caso contrario, il frigorifero si danneggerà; per i danni e i guasti, la casa produttrice non si impegna a effettuare la manutenzione gratuita nonostante il tempo di protezione.
- L'installazione e il collegamento del frigorifero devono essere eseguiti esattamente secondo le istruzioni fornite dal manuale. Le parti di collegamento devono essere conformi alle specifiche riportate sulla targhetta di identificazione.
- Se il cavo di alimentazione è danneggiato, deve essere sostituito dal produttore o dal suo agente di assistenza o da una persona qualificata analoga, al fine di evitare un pericolo.
- Non danneggiare il circuito del frigorifero.
- La sicurezza elettrica è garantita solo se il frigorifero è collegato a una rete elettrica correttamente cablata e collegata a terra.
- Per garantire il normale funzionamento del frigorifero, durante gli spostamenti a lunga distanza, è necessario attendere circa 1/2-1 ora, quindi accenderlo.
- Dopo un'interruzione di corrente, attendere più di 5 minuti prima di riaccendere il frigorifero, altrimenti il compressore potrebbe danneggiarsi.
- Non collocare o utilizzare nulla di infiammabile, come contenitori di gas, benzina o altre sostanze simili, nelle vicinanze del frigorifero per evitare il rischio di incendio. Non conservare mai sostanze esplosive nel frigorifero.
- Non conservare le bottiglie di vetro piene e sigillate nel congelatore, poiché si rompono con il congelamento.
- Non collocare il frigorifero in un ambiente umido o bagnato. Non collocare il frigorifero in un ambiente umido o bagnato, né in una posizione in cui possa essere esposto a spruzzi. Un ambiente di questo tipo indebolirebbe l'isolamento elettrico o esporrebbe i fili sotto tensione; i fili sotto tensione sono pericolosi e possono

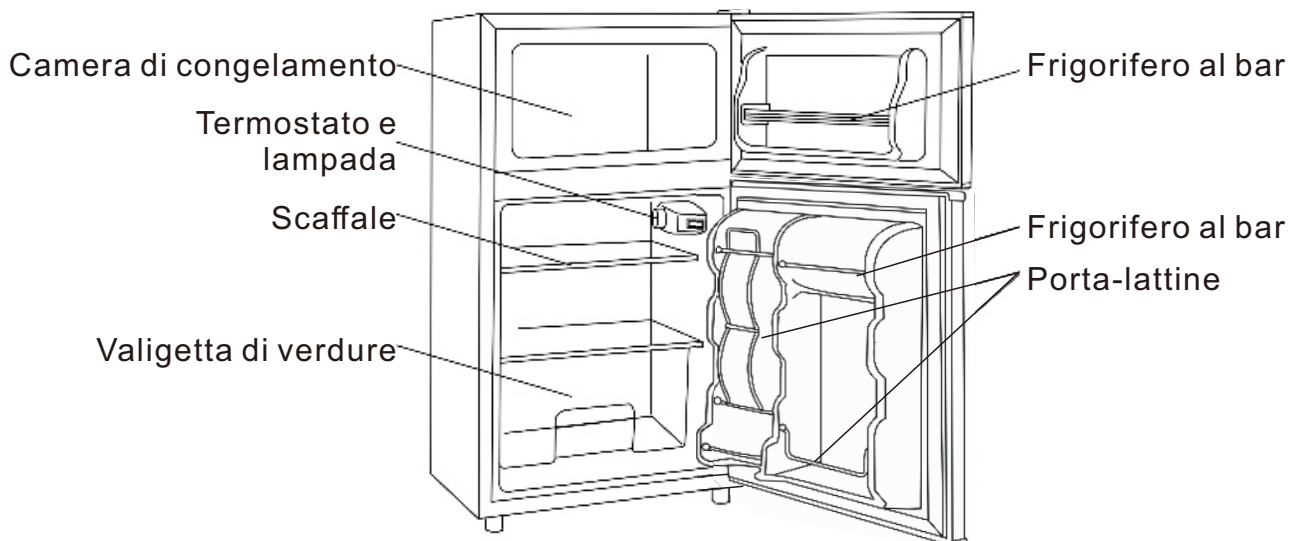
causare scosse elettriche o incendi.

- I bambini non devono essere lasciati senza sorveglianza con il frigorifero.
- Il frigorifero deve essere scollegato dalla corrente elettrica in caso di guasto o durante le operazioni di pulizia e riparazione.
- Per rimuovere la spina dalla presa, afferrarla saldamente ed estrarla. Non tirare il cavo. Non collegare l'apparecchio alle prese elettriche con le mani bagnate o umide.
- Non calpestare o appoggiare la porta del refrigeratore o del congelatore o il coperchio della base del frigorifero.
- Per evitare il congelamento, non toccare a pelle nuda e non mangiare nulla che sia stato estratto direttamente dal congelatore.
- Se si scopre una fuga di gas nella stessa stanza del frigorifero, chiudere l'alimentazione del gas. Non aprite la porta del frigorifero e non togliete la spina dalla rete elettrica. Una piccola scintilla provocata da queste azioni potrebbe causare un'esplosione di gas. Aprire tutte le porte e le finestre della stanza per disperdere il gas.

### REGOLAZIONI:

Questo frigorifero è destinato esclusivamente alla refrigerazione, al congelamento e alla conservazione di alimenti e alla produzione di ghiaccio e non deve essere utilizzato per altri scopi.

## PARTI E CARATTERISTICHE



**Avviso:** L'accessorio interno è diverso per ogni modello di frigorifero.

## UTILIZZO DELLA CAMERA DI CONGELAMENTO E DELLA CAMERA DI CONSERVAZIONE DEL FREDDO

**CAMERA DEL CONGELATORE:** camera per il congelamento di alimenti o per la conservazione di alimenti da frigorifero e per la produzione di una piccola quantità di ghiaccio.

### AVVISO:

- Quando si acquistano alimenti pronti per essere surgelati, è necessario osservare le seguenti precauzioni
  1. Controllare che la confezione sia intatta.
  2. Assicurarsi che i prodotti non abbiano superato la data di scadenza.
  3. Controllare che il termometro del congelatore in cui si acquistano gli alimenti indichi una temperatura pari o inferiore a  $-0,4^{\circ}\text{F}$ .
  4. Una volta acquistati, gli alimenti surgelati devono essere esposti al minor calore possibile e devono essere messi nel congelatore di casa il più rapidamente possibile.
- Prima di inserire gli alimenti caldi o le bevande calde nella camera, è necessario raffreddarli in base alla temperatura interna.
- Prima di congelare, imballare gli alimenti in contenitori o sacchetti ben chiusi in modo che non perdano il loro sapore, colore o valore nutrizionale e che non si secchino.
  1. I materiali di imballaggio adatti sono i seguenti: sacchetti di polietilene, fogli di alluminio e contenitori a prova di congelamento. Tutti questi materiali sono disponibili presso i grandi magazzini o i negozi specializzati in questo settore.
  2. I seguenti materiali di imballaggio non sono adatti: carta da imballaggio, carta pergamena, cellofan, sacchetti per la spazzatura e sacchetti della spesa usati.
  3. Se possibile, eliminare l'aria dal contenitore di imballaggio.
  4. Prima di mettere gli alimenti incartati nel congelatore, segnate la data in cui gli alimenti vengono messi nel congelatore e segnate anche il contenuto. Tutti i tipi di alimenti possono essere conservati congelati, prima che inizino a deteriorarsi.
- In caso di interruzione di corrente, le porte del frigorifero devono essere aperte il meno possibile. Evitate di mettere nuovi alimenti nel frigorifero o nel congelatore, perché la temperatura si alzerebbe più rapidamente.
- Non maneggiate gli alimenti congelati e non prendeteli direttamente dal congelatore con le mani bagnate, perché le mani bagnate aderiscono agli alimenti congelati.

### VASCHETTA DEL GHIACCIO:

Riempire la vaschetta del ghiaccio per tre quarti di acqua e metterla nel congelatore. I cubetti di ghiaccio possono essere facilmente rimossi dalla vaschetta ruotandola leggermente.

- **Avviso:** Utilizzare acqua bollita fresca per fare i cubetti di ghiaccio.
- Non piegare la vaschetta del ghiaccio per non romperla.
- Non fare il ghiaccio con altri contenitori per non danneggiarli.



**CAMERA DI CONSERVAZIONE FREDDA:** una camera per non congelare alimenti e bevande.

La temperatura della cella frigorifera può rallentare il tasso di crescita dei batteri solo fino a un certo punto e quindi è adatta solo per la conservazione a breve termine degli alimenti.

I seguenti alimenti sono adatti alla conservazione nel frigorifero: uova, burro, formaggio, latte, bevande in bottiglia, cibo in scatola, frutta glassata, salsa fresca, pane, cibo cotto, carne, pesce, frutta e verdura, ecc.

**Quando si conservano gli alimenti in frigorifero, è necessario osservare le seguenti istruzioni:**

- Sigillare o coprire bene gli alimenti prima di metterli in frigorifero, per evitare che si seccino e mantenerli freschi più a lungo, aiutandoli a conservare il colore, il nutrimento e i sapori. Sigillare o coprire bene tutti gli alimenti in frigorifero evita che si assaggino in modo incrociato e che si asciugino all'aria.
- Lavare e asciugare le verdure, la frutta, ecc. prima di conservarle.
- Lasciare raffreddare gli alimenti prima di metterli in frigorifero.
- La parte superiore del frigorifero ha la temperatura più bassa ed è l'area in cui gli alimenti si raffreddano più rapidamente.
- La frutta e la verdura devono essere collocate nell'apposito cestino.
- Mantenere uno spazio tra tutti gli alimenti per consentire una buona ventilazione e una temperatura uniforme.
- Evitare che il burro e l'olio da cucina entrino in contatto con le parti in plastica all'interno della borsa termica e con il rivestimento interno.
- Le bevande devono essere ben chiuse e le bottiglie devono essere posizionate in verticale.
- Aprire lo sportello della borsa termica solo per un tempo minimo per evitare perdite di aria fredda.

- **CASSETTO PER LE VERDURE:** Il cassetto per la conservazione di verdura e frutta.
- **COPERCHIO DEL CASSETTO VERDURE:** Il coperchio per controllare la temperatura della verdura e della frutta ed evitare la disidratazione della frutta e della verdura. Il coperchio può essere utilizzato anche come piatto.  
FARE ATTENZIONE QUANDO SI PULISCE IL VETRO PER EVITARE CHE SI ROMPA.
- **CESTONE:** Lattine, bottiglie o birre possono essere appoggiate in modo riposante nella scanalatura del piatto intelli-plate, il piatto delle bottiglie può essere spostato senza problemi sul piatto di vetro in base alle proprie esigenze.

### MANOPOLA DEL REGOLATORE DI TEMPERATURA (COME DA TABELLA):

La manopola viene applicata per regolare la temperatura del frigorifero. La cifra della manopola non indica un numero di temperatura specifico. Il compressore non funziona in posizione "0". Più grande è la cifra, più bassa è la temperatura interna. In generale, è opportuno che l'interruttore sia impostato sulla posizione centrale.

### AVVISO:

- La temperatura del congelatore può talvolta apparire troppo elevata. Ciò è dovuto al fatto che una grande quantità di cibo è stata conservata nel frigorifero o che la porta del congelatore è stata aperta frequentemente. Per mantenere gli alimenti freschi e risparmiare sui costi, la temperatura del congelatore dovrebbe essere compresa tra  $-0,4^{\circ}\text{F}$  e  $-4^{\circ}\text{F}$  a una temperatura ambiente normale. Una volta effettuata l'impostazione, si dovrebbero evitare frequenti cambiamenti. In estate, quando la temperatura ambiente è più alta, i termostati della serranda del condizionatore possono essere portati in posizione 3. In inverno, quando la temperatura ambiente è più bassa, i termostati della serranda del condizionatore possono essere impostati sulla posizione 1.

### LAMPADA INTERNA:

Technical data: 220-240V/50Hz, 10W

Controllata dall'interruttore della porta: Quando si apre la porta, la luce si accende, altrimenti si spegne.

Coperchio della lampada

Manopola del regolatore di temperatura



## SBRINAMENTO

L'acqua contenuta negli alimenti o penetrata nell'aria all'interno del frigorifero dall'apertura delle porte può formare uno strato di brina all'interno, indebolendo la refrigerazione e sprecando energia.

Sbrinare il frigorifero quando lo spessore della brina è compreso tra 4 e 6 mm.

### SBRINAMENTO DELLA CAMERA DI CONGELAMENTO

Lo sbrinamento della camera di congelamento si effettua manualmente. Prima di sbrinare, togliere gli alimenti o metterli temporaneamente nella cella frigorifera, quindi impostare la manopola del regolatore di temperatura sulla posizione "0", dove il compressore smetterà di funzionare, e lasciare aperto fino a quando il ghiaccio e la brina non si saranno dissolti completamente, asciugando l'acqua con un panno morbido. Dopo lo sbrinamento, la manopola deve essere riportata nella posizione originale.

### ATTENZIONE:

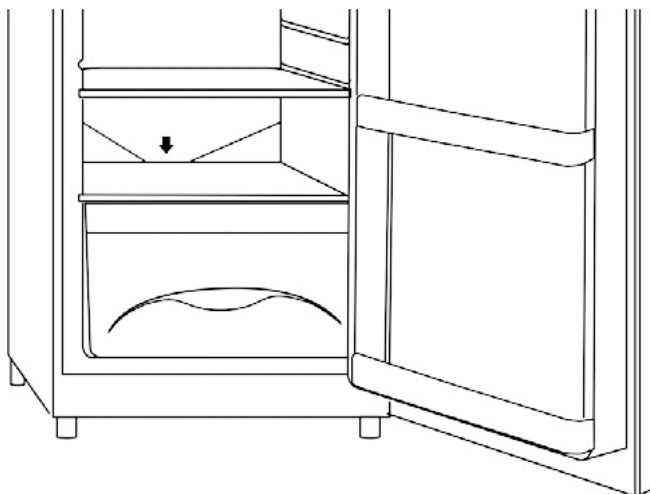
È inoltre sconsigliato raschiare il ghiaccio e la brina con apparecchi, quali utensili affilati, barre di legno, ecc. o con dispositivi meccanici o altri mezzi manuali, quali acqua calda, recipienti riscaldanti, ecc. diversi da quelli raccomandati dal produttore, per non danneggiare l'involucro interno o la superficie dell'evaporatore.

### SBRINAMENTO DELLA CAMERA FREDDA

La camera frigorifera non richiede automaticamente l'operazione di sbrinamento. L'acqua di sbrinamento viene scaricata nel contenitore situato nella parte superiore del compressore attraverso un tubo di drenaggio sul retro del frigorifero ed evapora automaticamente (come da tabella).

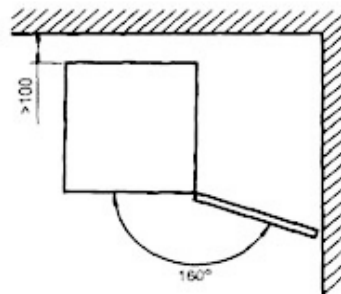
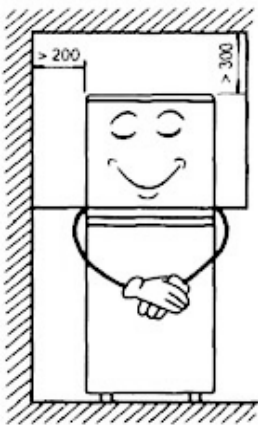
### AVVISO:

Assicurarsi che il foro di drenaggio non sia ostruito; in caso di ostruzione, è possibile tagliare l'occhiello con barre di legno appuntite.

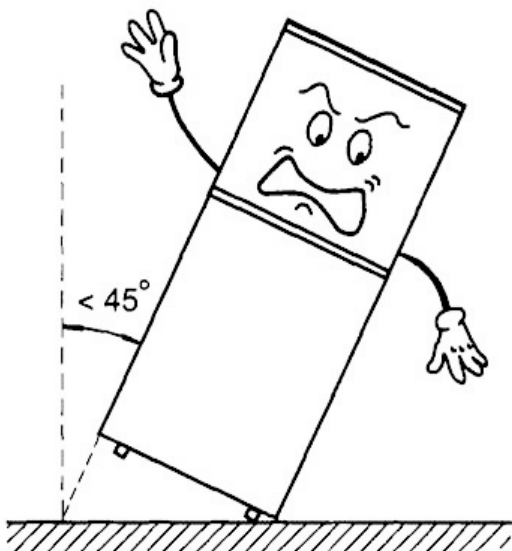


## RIPARAZIONE E SPOSTAMENTO

1. Il frigorifero deve essere posizionato in un luogo solido e pianeggiante; i due frontali devono essere regolati in modo da rendere il frigorifero stabile. Le gambe devono essere completamente a contatto con il terreno per evitare vibrazioni e rumori.
2. Se il frigorifero viene collocato vicino a una fonte di calore, è necessario utilizzare una piastra isolante e rispettare la seguente distanza minima tra il frigorifero e la fonte di calore:
  - 30 cm da un altro apparecchio elettrico non utilizzato per cucinare
  - 30 cm da una stufa o da un'altra struttura di cottura
3. Il frigorifero deve essere collocato in una stanza asciutta e ben ventilata. Per una corretta circolazione dell'aria, è necessario mantenere una distanza di oltre 100 mm dalla parete, 300 mm dalla parte superiore e 200 mm da entrambi i lati del frigorifero. Le griglie di ingresso e uscita della ventilazione e le altre vie d'aria non devono mai essere coperte. È inoltre necessario lasciare uno spazio libero per aprire le porte a 160° (come da tabella).



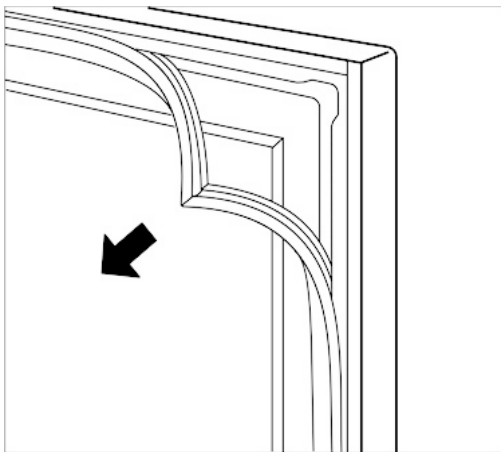
4. Quando si fissa il frigorifero, il pacchetto di schiumatura deve essere annullato. (compreso il fondo schiumato)
5. In caso di spostamento, il frigorifero non può essere inclinato oltre i 45° o capovolto. (Come da tabella)



## PULIZIA E MANUTENZIONE

Il frigorifero deve essere pulito una volta al mese.

1. Prima di procedere alla pulizia, scollegare il frigorifero dalla rete elettrica.
2. Durante la pulizia, evitare che l'acqua penetri nella luce interna.
3. Pulire la superficie interna ed esterna del frigorifero e dei suoi accessori con un panno umido. Se sono troppo sporchi, strofinarli con un detergente neutro.
4. Alcuni accessori devono essere puliti, come il ripiano per le uova, il vassoio, il coperchio per le verdure, ecc.
5. L'acqua tiepida con un po' di detersivo o di disinfettante neutro è adatta per la pulizia di tutto il frigorifero, tranne che per le guarnizioni della porta, che vanno pulite solo con acqua pulita e poi strofinate accuratamente. (Si puliscono smontando direttamente la porta per le parti del prodotto) (Come da tabella)



6. Il compressore situato nella parte posteriore del frigorifero deve essere pulito almeno una volta all'anno. Spolverare il compressore con una spazzola. La polvere presente sulla superficie esterna del compressore aumenta il consumo di energia.
7. Non si devono utilizzare detersivi contenenti abrasivi o acidi, né le seguenti sostanze: alcaloidi, sapone, abrasivi, acqua calda, spazzole, banane, olio, benzina, alcool ad alta resistenza, ecc.

## SMETTERE DI USARE

1. Quando si smette di utilizzare il frigorifero, spegnerlo scollegando direttamente la spina dalla rete elettrica.
2. Se avete deciso di non utilizzare più il frigorifero per qualche tempo, procedete come segue: Prima spegnere il frigorifero, poi pulire l'interno e lasciare la porta leggermente aperta per ventilare.

**NOTA:** Se si interrompe spesso l'uso, la durata del frigorifero diminuisce.

## RISOLUZIONE DEI PROBLEMI

Non tutti i problemi sono abbastanza gravi da giustificare la chiamata del personale del servizio vendite. Prima di chiamare l'assistenza, verificate se il problema può essere risolto con l'aiuto dei seguenti suggerimenti.

### • Rumori insoliti:

1. Controllare che il frigorifero sia ben appoggiato su un terreno piano e che i dispositivi di fissaggio siano ben saldi. Inoltre, i tubi nella parte posteriore del frigorifero non devono toccarsi e il compressore non deve essere a contatto con altri oggetti.

### • Assenza di raffreddamento:

Controllare che l'alimentazione non sia interrotta, che il fusibile sia bruciato, che la spina non sia inserita nella presa o che il voltaggio sia sbagliato.

La lampada non funziona:

La lampada potrebbe essersi bruciata. Se ciò accade, sostituirla con una lampada da 10W/115V.

### • Deterioramento delle prestazioni di raffreddamento:

Controllare che l'impostazione della manopola del termostato non sia troppo calda, che la porta sia chiusa correttamente, che non si siano accumulati spessi strati di ghiaccio nel congelatore, che la porta non venga aperta troppo frequentemente, che non siano stati messi troppi alimenti nel frigorifero o che non siano stati messi alimenti troppo caldi nel frigorifero.

### • Smette di funzionare:

Controllare se c'è un'interruzione di corrente, se la tensione di alimentazione è eccessivamente bassa, se la spina di alimentazione fa contatto bene e se il regolatore di temperatura punta sulla posizione "0".

### • Cibo congelato nella cella frigorifera:

Controllare se la manopola di regolazione della temperatura è troppo grande e se gli alimenti conservati sono a contatto con la fonte di freddo del retro dell'armadio.

### • L'acqua trabocca dopo lo sbrinamento:

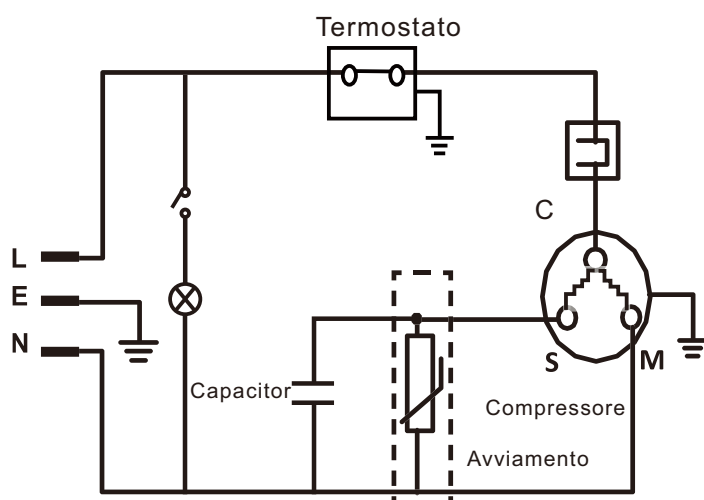
Verificare che il foro di scarico non sia ostruito e che la vaschetta di scarico sia fissata correttamente.

### • Fenomeni normali:

1. Se l'umidità esterna è elevata, all'esterno del frigorifero può comparire della rugiada. È possibile asciugarla.
2. L'area in cui la guarnizione della porta aderisce al frigorifero può essere calda. Ciò è dovuto al dispositivo di riscaldamento per evitare la rugiada e la brina.
3. A volte si sente un rumore di bolle o di rumori. Ciò è dovuto al flusso di refrigerante nel tubo di raffreddamento o al fatto che il frigorifero è in modalità di avvio o di chiusura.
4. La temperatura del compressore può raggiungere 176 °F

## SPECIFICHE

## SCHEMA DEL CIRCUITO



**Nota: le specifiche sono soggette a modifiche senza preavviso.**

## PARAMETRO ELETTRICO

Modello	800-128V90_800-128V91
Tensione nominale	220-240V~
Frequenza nominale	50Hz
Corrente di raffreddamento nominale	1,0A
Potenza della lampada: 10W per lampada a incandescenza o 1W per lampada a LED	
Classe di protezione	I
Classe climatica	N, ST, T
Refrigerante	R600a/36g
Soffio di gas	C <sub>5</sub> H <sub>10</sub>
Valutazione	60W
Volume totale	88L
Volume dello scomparto per alimenti freschi	63L
3 stelle Volume dello scomparto	25L
Consumo di energia af E32	0.60kWh/24h
Consumo energetico annuale	167kWh/a
Aumento da temperatura	9Ore
Efficienza energetica	E

## SMALTIMENTO

Il mobile dell'apparecchio è formato da ciclopentano. L'apparecchio vecchio contiene materiali nocivi e deve essere smaltito con i rifiuti solidi urbani.



1. Rimuovere il fermo a molla o il bullone dall'apparecchio o renderlo inutilizzabile in modo che i bambini non possano rimanere intrappolati all'interno e soffocare.
2. Assicurarsi che il circuito del refrigerante non sia danneggiato prima di smaltire l'apparecchio non più necessario. In questo modo il refrigerante non si disperderà nell'ambiente.

Le informazioni relative al refrigerante e ai materiali isolanti utilizzati sono riportate sulla targhetta e sulle istruzioni per lo smaltimento dell'apparecchio.

Per informazioni sulle date o sui punti di raccolta, rivolgersi alle autorità preposte allo smaltimento dei rifiuti o al comune di residenza.

## AVVISO

Questo apparecchio non è destinato all'uso da parte di persone (compresi i bambini) con ridotte capacità fisiche, sensoriali o mentali, o con mancanza di esperienza e conoscenza, a meno che non abbiano ricevuto supervisione o istruzioni sull'uso dell'apparecchio da parte di una persona responsabile della loro sicurezza.

I bambini devono essere sorvegliati per assicurarsi che non giochino con l'apparecchio. Uso esclusivamente domestico.

**Il fornitore si riserva il diritto di apportare modifiche ELETTRICHE, TECNICHE ed ESTETICHE ai dispositivi e/o di sostituire parti senza preavviso per offrire sempre una tecnologia più affidabile, durevole e avanzata. Il fornitore si scusa per eventuali errori di stampa.**

**UK**

If you have any questions, please contact our customer care center.

Our contact details are below:



0044-800-240-4004



enquiries@mhstar.co.uk

IMPORTER ADDRESS:

MH STAR UK LTD

Unit 27, Perivale Park,

Horsenden lane South

Perivale, UB6 7RH

MADE IN CHINA

**ES**

Si tiene alguna pregunta, comuníquese con nuestro Centro de Atención al Cliente. Nuestros datos de contacto son los siguientes:



0034-931294512



atencioncliente@aosom.es

Importador/Fabricante/REP:

Spanish Aosom, S.L.

C/ Roc Gros, N° 15. 08550, Els Hostalets de Balenyà, Spain.

B66295775

atencioncliente@aosom.es

TEL: 931294512

HECHO EN CHINA

**FR**

Si vous avez la moindre question, veuillez contacter notre centre d'assistance à la clientèle.

Nos coordonnées sont les suivantes:



0033-1-84166106



aosom@mhfrance.fr

Importé par/Fabricant/REP:

MH France

2,rue Maurice Hartmann

92130Issy-les-Moulineaux

France

Fabriqué en Chine

**PT**

Se tiver alguma dúvida, por favor contacte o nosso Centro de Atendimento ao Cliente. Os nossos dados de contacto são os seguintes:



0034-931294512



info@aosom.pt.

IMPORTADOR:

SPANISH AOSOM, S.L

C.ROC GROS N.15, 08550. ELS HOSTALETES DE BALENYÀ

TEL: 931294512 (SEG-SEX DAS 7:30H ÀS 16:30H)

INFO@AOSOM.PT

WWW.AOSOM.PT

**DE**

Wenn Sie Fragen haben, wenden Sie sich bitte an unser Kundendienstzentrum.

Unsere Kontaktdaten stehen unten:



0049-0(40)-88307530



service@aosom.de

Importeur/Hersteller/REP:

MH Handel GmbH

Wendenstraße 309

D-20537 Hamburg

Germany

IN CHINA HERGESTELLT

**IT**

In caso di dubbio, si prega di contattare il nostro centro assistenza clienti. I nostri dettagli di contatto sono di seguito:



0039-0249471447



clienti@aosom.it

IMPORTATO DA/Produttore/REP:

AOSOM Italy srl

Centro Direzionale Milanofiori

Strada 1 Palazzo F1

20057 Assago (MI)

P.1.: 08567220960

FATTO IN CINA



FR

Cet appareil,  
ses accessoires,  
cordons et batteries  
se recyclent

REPRISE  
À LA LIVRAISON



OU

À DÉPOSER  
EN MAGASIN



OU

À DÉPOSER  
EN DÉCHÈTERIE



Points de collecte sur [www.quefairedemesdechets.fr](http://www.quefairedemesdechets.fr)  
Privilégiez la réparation ou le don de votre appareil !

Aosom