



Kettle and Toaster Set



EN_IMPORTANT, RETAIN FOR FUTURE REFERENCE: READ CAREFULLY.

INSTRUCTION MANUAL

WATER KETTLE

SAFETY INSTRUCTIONS

General Safety Instructions

- Read the operating instructions carefully before putting the appliance into operation and keep the instructions including the warranty, the receipt and, if possible, the box with the internal packing.
- This appliance is intended to be used in household and similar applications such as:
 - staff kitchen areas in shops, offices and other working environments;
 - farm houses;
 - by clients in hotels, motels and other residential type environments;
 - bed and breakfast type environments.
- The appliance is designed exclusively for private use and for the envisaged purpose.
- This appliance is not fit for commercial use. Do not use it outdoors (except if it is designed to be used outdoors). Keep it away from sources of heat, direct sunlight, humidity (never dip it into any liquid) and sharp edges. Do not use the appliance with wet hands. If the appliance is humid or wet, unplug it immediately. Do not put it in water.
- When cleaning or putting it away, switch off the appliance and always pull out the plug from the socket (pull on the plug, not the cable) if the appliance is not being used and remove the attached accessories.
- Children should be supervised to ensure that they do not play with the appliance. Never leave the appliance unsupervised. To protect children from the dangers posed by electrical appliance, make sure that the cable is hanging high and that children do not have access to the appliance.
- Check the appliance and the cable for damage on a regular basis. Do not use the appliance if it is damaged.
- Do not try to repair the appliance on your own. Always contact an authorized technician. To avoid the exposure to danger, always have a faulty cable be replaced only by the manufacturer, by our customer service or by a qualified person and with a cable of the same type.
- Use only original spare parts.
- Pay careful attention to the following “Special Safety Instructions”.

Special Safety Instructions for this Machine

- Use only cold water when filling.
- The water level must be between the MAX. and MIN. marks! If the kettle is overfilled, boiling water may be ejected, which might arise a hazard to the user.
- CAUTION-Ensure that the kettle is switched off before removing it from its stand.
- The appliance can only be used for household only.
- Always ensure that the lid is tightly closed.

- The base and exterior of the machine must not become wet.
- This appliance can be used by children aged from 8 years and above and persons with reduced physical, sensory or mental capabilities or lack of experience and knowledge if they have been given supervision or instruction concerning use of the appliance in a safe way and understand the hazards involved. Children shall not play with the appliance. Cleaning and user maintenance shall not be made by children unless they are older than 8 and supervised.
- Keep the appliance and its cord out of reach of children less than 8 years.
- If the supply cord is damaged, it must be replaced by the manufacturer, its service agent or similarly qualified persons in order to avoid a hazard.
- The appliance must not be immersed.
- **WARNING** : Avoid spillage on the connector.
- **WARNING** : Potential injury may be caused from misuse.
- The heating element surface is subject to residual heat after use.
- If the kettle is overfilled, boiling water may be ejected.
- The appliance is only to be used with the stand provided.
- **CAUTION**: To prevent damage to the appliance, do not use aggressive cleaning agents when cleaning. Use a soft cloth and a mild detergent.
- **CAUTION**: Do not use the appliance if the enclosure is damaged or has visible cracks.
- **CAUTION**: Do not operate the kettle on an inclined plane. Do not switch on the kettle if there is no water in the kettle. Do not move the kettle while it is switched on.



- **CAUTION** : Hot surfaces. Surfaces are liable to get hot during use.
- Regarding the instructions for details on how to clean the surfaces in contact with food, thanks to refer to the section "Cleaning and Maintenance".

OPERATION

This appliance is for domestic use only. It is not intended for commercial use.

Feature

1. Spout
2. Base station
3. Water level
4. Top lid
5. Lid handle
6. Handle
7. On/Off switch
8. Indicator light



First Use of the Machine

- Please read these operating instructions carefully and keep them in a safe place.
- Before using for the first time, boil fresh water at least twice in the appliance. Use only water without any additives or ingredients.

Use

1. Place the machine on a flat surface.
2. Open the kettle by lifting the Lid handle. Then fill in some water. The water level can be read off using the water level indicator on the kettle. Please do not overfill the kettle.
3. Close the lid by pressing the Lid handle.
4. Place the kettle flush on the base.

Electrical Connection

1. Switch the kettle on with the switch in the handle bottom. The indicator light turns up.
2. The kettle switches off automatically when the water has boiled. Now disconnect the kettle from the mains power supply. Always hold the lid closed when pouring the water out. Beware of scalding!

CLEANING AND MAINTENANCE

- Always pull out the plug from the socket before cleaning!
- The exterior of the machine should be cleaned, if necessary, with a slightly damp cloth without additives.

DESCALING

- The frequency of the decalcifying operation depends on the hardness of the water and on how often the appliance is used.
- If the machine switches off before the water boils, it probably needs to be decalcified.

- Please do not use vinegar but a commercially available decalcification agent on the basis of citric acid.
- Only use the quantities stated in the instructions.

SPECIFICATION

Product: Water kettle

Model: 800-305V70(K708ANK)

Power consumption: 2520-3000W

Mains Voltage: AC220-240V~50-60Hz



Off mode power	P_o	0.00	W
Standby mode power	P_{so}	[N/A]	W
Power management function	[N/A]		
Time to enter automatically off mode	T_o	[N/A]	Min
Time to enter automatically standby mode	T_{so}	[N/A]	Min

TOASTER**IMPORTANT INSTRUCTIONS**

- Before using this appliance, read all instructions. Retain this manual for future reference.
- To prevent electrical hazards, do not immerse any part of the appliance or cord in water or other liquid.
- Children must be supervised when near the appliance.
- Always use the appliance on a dry and level surface.
- Do not use this appliance outdoors.
- When not in use and before cleaning, unplug the appliance from the socket.
- If the appliance is damaged or malfunctions in any way, do not use it. Return the appliance to an authorised service engineer for repair, as special tools are required.
- Regularly check the supply cord, ensuring there are no damages. If signs of damage occur, return the entire appliance to an authorised service engineer.
- Ensure the cord does not hang over a table or counter or touch hot surfaces. Let the unit cool before wrapping the cord around the base for storage.
- Parts of this appliance can become hot - do not touch to avoid burns. Do not store or cover the appliance until it has cooled down completely.
- Keep this appliance away from hot gas, electric burners, heated ovens and other heat sources.
- When cleaning this appliance, do not use harsh abrasives, caustic cleaners or oven cleaners.
- When using this appliance, ensure there is enough space on all sides, allowing air to circulate. Keep the appliance away from curtains, wall coverings, clothing, cloths and other flammable materials. Extra caution is required for surfaces that are not heat resistant – an insulated heat pad is recommended.
- This appliance is for household use only. Do not use for commercial purposes.
- When using the toaster, ensure the slide-out crumb tray is in place. Clean the crumb tray regularly – do not allow crumbs to build up.
- Do not use this appliance with ingredients containing sugar, jam or preserves.
- Whilst this appliance is in use, the temperature of surrounding surfaces may be high.
- When in use, do not leave this appliance unattended. Ensure it is switched off when not in use.
- This appliance can be used by children aged from 8 years and above and persons with reduced physical, sensory or mental capabilities or lack of experience and knowledge if they have been given supervision or instruction concerning use of the appliance in a safe way and understand the hazards involved. Children shall not play with the appliance. Cleaning and user maintenance shall not be made by children unless they are older than 8 and supervised.

- Keep the appliance and its cord out of reach of children less than 8 years.
- If the supply cord is damaged, it must be replaced by the manufacturer, its service agent or similarly qualified persons in order to avoid a hazard.
- This appliance is intended to be used in household and similar applications such as:
 - staff kitchen areas in shops, offices and other working environments;
 - farm houses;
 - by clients in hotels, motels and other residential type environments;
 - bed and breakfast type environments.
- The appliance must not be immersed.



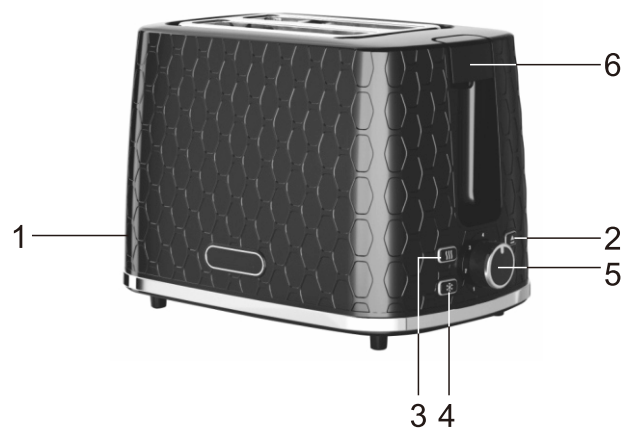
- **CAUTION** : Hot surfaces. Surfaces are liable to get hot during use.
- Regarding the instructions for details on how to clean the surfaces in contact with food, thanks to refer to the section "Cleaning and Maintenance".
- The appliance must not be used with an external timer or separate remote control system.
- The bread may burn, therefore do not use the toaster near or below combustible material, such as curtains.

WARNING:

Never use a knife to take out items from the toaster-contact with live elements could cause electrocution. Let the appliance cool down, unplug and carefully remove the bread

OPERATION

1. Full-length crumb tray
2. Stop button with indicator light
3. Reheat button with indicator light
4. Defrost button with indicator light
5. Electronic variable browning control
6. High-lift bread release



USING THE TOASTER

1. Insert the plug into a suitable mains supply socket, then turn the power on.
2. Place two slices of bread, muffins or bagels into the bread slots.
3. Using the control knob, select the desired browning (No.1 is the lightest and No.7 is the darkest). For first-time use, it is suggested to use No.3. Different types of bread and personal preference may require a different browning setting.
4. Press the carriage control lever down until it clicks into place – the toasting cycle will automatically begin. Note: If the toaster is not plugged in and switched on, the lever will not click into place.

5. When the desired toast colour is achieved, the toaster will turn off and the toast will pop up automatically. To stop the toasting process at any time, press the stop button.

TOASTING FROZEN BREAD

To toast frozen bread, place the bread into the bread slots and select the desired browning setting. Press the carriage control lever down until it clicks into place, then press the 'frozen' button.

CLEANING AND MAINTENANCE

- A slide-out crumb tray is included, making it quick and convenient to remove crumbs.
- Before removing and emptying the crumb tray, unplug the toaster and wait for it to cool down.
- Clean the tray with a damp cloth. **NOTE:** The tray must be completely dry before placing back into the toaster.
- Use a stiff brush to remove any burnt-on crumbs.
- Wipe the outside of the toaster with a damp cloth.
- Do not use sharp or abrasive objects to clean the toaster.
- Slide the crumb tray out of the toaster and remove the crumbs, wipe it with a clean, dry cloth and put it back in place. Clean the crumb tray after each use of the toaster. Make sure that crumbs do not accumulate in it. Otherwise, they could burst into flames.

CAUTION

- To prevent an electric shock, unplug the appliance.
- There are no user-serviceable parts inside.
- Maintenance and repairs must be done by qualified personnel.
- Do not use this appliance through an external timer or separate remote control system.

SPECIFICATION

Product: Toaster

Model : 800-305V70(ST-208)

Power consumption: 780-930W

Mains Voltage: AC220-240V~50-60Hz



Off mode power	P_o	0.00	W
Standby mode power	P_{so}	[N/A]	W
Power management function		[N/A]	
Time to enter automatically off mode	T_o	[N/A]	Min
Time to enter automatically standby mode	T_{so}	[N/A]	Min

UK

If you have any questions, please contact our customer care center.

Our contact details are below:



0044-800-240-4004



enquiries@mhstar.co.uk

IMPORTER ADDRESS:
MH STAR UK LTD
Unit 27, Perivale Park,
Horsenden lane South
Perivale, UB6 7RH
MADE IN CHINA

Aosom