

18 Inch Bristle Dartboard With Cabinet

Age Restriction: 16 years and older

* Not for use by children under the specified age.

This product is intended for use as a practice dartboard for steel-tip darts.

Do not use it for any other purpose.

IMPORTANT, RETAIN FOR FUTURE REFERENCE: READ CAREFULLY

Users must understand the contents of this instruction manual before use. Read this instruction manual and make sure you thoroughly understand its contents before using this product.

WARNING

Indicates content where death or serious injury could potentially occur.

- Do not use fire near this product. Risk of fire.
- Never disassemble, modify, or damage the product. This is extremely dangerous and could cause unexpected accidents or injuries.
- When removing darts, always ensure there are no people or pets nearby. Darts hitting people or pets could cause blindness or serious injury.
- Never throw darts at people, pets, etc. Darts hitting people or pets could cause blindness or serious injury.
- Handle the included darts with extreme care. Especially, store and use them out of reach of small children and pets. Risk of unexpected accidents.
- Dispose of used darts properly. Risk of puncture wounds or other serious accidents.
- Throw darts using the correct stance and form. Throwing darts forcefully like a baseball can cause them to fly in unexpected directions.

Usage Precautions

- If any part of this product becomes deformed, cracked, or shows any other abnormality, stop using it immediately. Risk of injury.
- Install this product on a flat wall surface in a location with sufficient strength. Using it in an unstable location could cause it to fall, leading to injury. Also, ensure the product is securely installed and will not fall off the wall.
- Install this product on a wall or a dart stand adjacent to a wall. Installing it facing doors or passageways could lead to unexpected accidents.
- Avoid using it in the following locations, as it may cause deterioration, fading, or mold:
 - Places exposed to direct sunlight for extended periods.
 - Locations near heating appliances or subject to abnormal heat.
 - Highly humid environments.
- Before using this product, always ensure the surrounding area is clear. Loose darts falling or stepping on darts dropped on the floor could cause slips or falls.
- Remove darts one by one. Gently pull them out while holding the board steady.
- To prevent damage or stains to walls or floors, use protective backboards or dart mats.






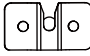
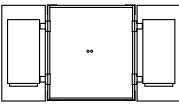



⚠ Usage Precautions

- The company bears no responsibility for damage, destruction, accidents, or incidents related to this product caused by location or natural disasters.
- The company bears no responsibility for injuries caused by falling darts or dartboards, or injuries resulting from removing darts.
- The company bears no responsibility for damage to walls or ceilings resulting from the use of this product.

■ Maintenance & Disposal Method

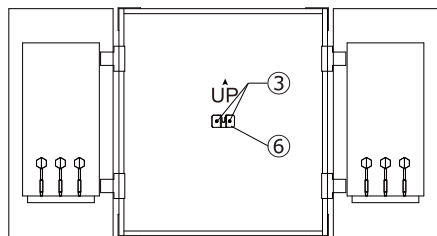
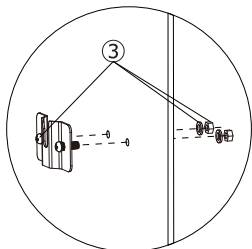
- Periodically inspect the entire product for any damage or abnormalities. If damage or abnormality is found, stop using it immediately.
- If the product gets dirty, wipe it with a soft cloth dampened with water. Ensure you thoroughly wipe off all moisture and dry it completely in a well-ventilated area.
- Leaving it wet can cause mold or deterioration.
- When disposing of this product, please follow the waste classification rules of your local municipality

■ Parts List

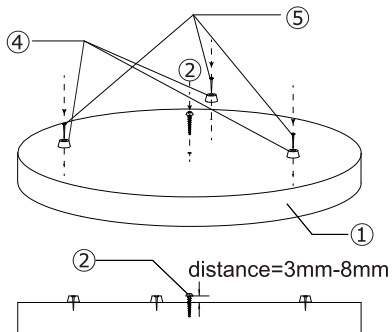
①	Dartboard	②	M4X27	③	M4X12	④	Foot Pad	⑤	Nail
									
	x1		x1		x2 sets		x3		x3
⑥	Bracket	⑦	Cabinet	⑧	Barrel	⑨	Shaft Flight	⑩	Shaft Flight
									
	x1		x1		x6		Red x3		Blue x3

■ Installation Method

- 1 Refer to the diagram below. Install the ⑥ mounting brackets into the cabinet. Also, install it with the part marked (Bull) facing upwards.

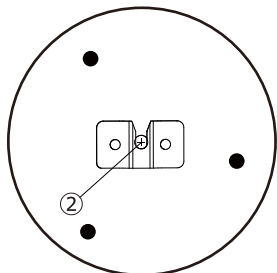


- 2 Attach the ② center screw to the bottom hole in the center of the back of the dartboard. ※ Leave a gap of 3mm~8mm between the head of the center screw and the back of the board so it can hook onto the wall-mounted brackets. Usually there's no need to install ⑤ Foot Pad.

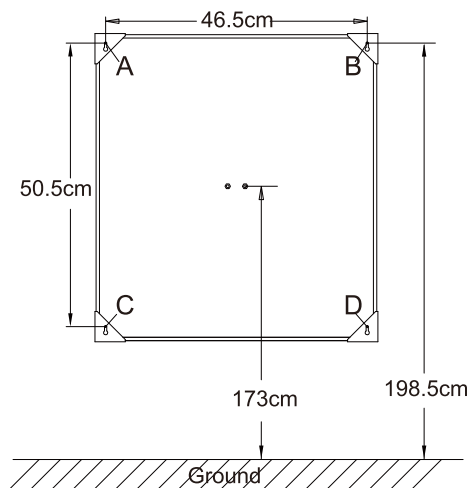


- 3 Attach the dartboard to the ⑥ bracket with the ② screw which is on the back of the dartboard.

- ◎ The dartboard can rotate around the center screw as an axis.
- ◎ If certain areas become excessively worn through use, you can rotate the dartboard to change the target area and distribute wear.



- 4 Drive 4 nails (M3 or M4 is better.) at position A, B, C, D. Then hang the four corresponding hanging holes on the nails on the back of the cabinet.



UK

If you have any questions, please contact our customer care center.

Our contact details are below:



0044-800-240-4004



enquiries@mhstar.co.uk

IMPORTER ADDRESS:
MH STAR UK LTD
Unit 27, Perivale Park,
Horsenden lane South
Perivale, UB6 7RH
MADE IN CHINA