

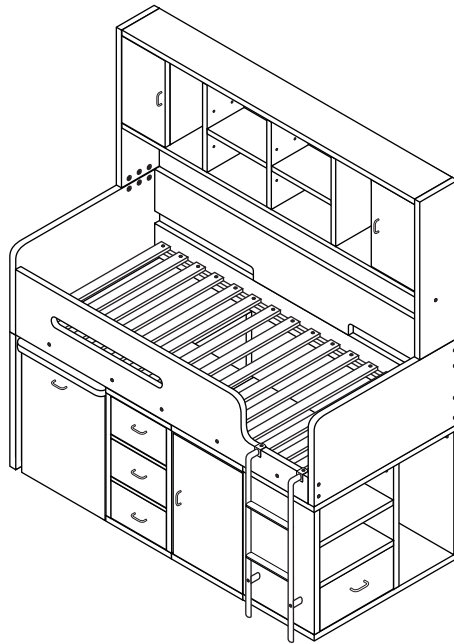
GLOBAL PROCUREMENT AND MARKETING LIMITED

MARSDEN CABIN BUNK WITH WALL UNIT

Assembly Instructions – Please keep for future reference

Product Code

BEDMARSHF



* **WARNING** : The upper Beds is not suitable for children under six years due to the risk of injury from falls.under the age of 6.
The upper bunk must be more than 2 m from any ceiling fan.

IMPORTANT INFORMATION - READ CAREFULLY - RETAIN FOR FUTURE REFERENCE


1. The bunk bed must be checked periodically by the owner to ensure that Guardrail,ladder and other components are maintained in the correct position and all bolts/connectors are well fastened and tight.
The bunk bed should not be used if any structural part is broken or missing.If spare parts are required,contact your local dealer.Do not use substitute part.These instructions should be kept in a safe place for future reference.Care should be taken that no fittings are loose.
2. The ladder is provided to allow easy access to the upper bunk,do not allow your children to get on the bed any other way.
3. Thickness of mattress should not exceed 130mm.Please ensure that the top of mattress fitted to this bunk is not higher that the warning label attached to the safety guardrail ie:160mm below the top of the safety rails.
4. Recommended mattress dimension : 900mm x 1900mm
5. Children should be discouraged from playing on this bunk.
6. Use guardrails on both sides of the upper bunk.
7. Prohibit horseplay on or under bed (s) and jumping under any circumstance should be prohibited.
8. Prohibit more than one person on upper bunk.
9. This bunk is comply with "EN 747-1:2024"

WARNING AND IMPORTANT INFORMATION - READ CAREFULLY.

10. Warning "Bunk beds / high beds can present a serious risk of injury from strangulation if not used correctly.Never attach or hang items to any part of the bunk bed / high bed that are not designed to be used with the bed, for example, but not limited to ropes, strings, cords, hooks, belts and bags";
11. Warning "Children can become trapped between the bed and the wall, a roof pitch, the ceiling, adjoining pieces of furniture (e.g. cupboards) and the like.To avoid risk of serious injury the distance between the top safety barrier and the adjoining structure must not exceed 75 mm or must be more than 230 mm";
12. Ventilation of the room is necessary in order to keep the humidity low and to prevent mould in and around the bed.
13. Please do not throw the packaging away until you are satisfied with purchase, goods need to be returned in original packaging.

HEALTH & SAFETY:

When lifting heavy products please use assistance.
Small parts must be kept away from children.
Always assemble on a level even surface.
DO NOT jump on any parts of this product or the final product.
DO NOT use this product with parts missing/damaged.
DO NOT use this product until all fixings are secured.
It is advised to keep these instructions for future reference.

No. people	Assembly Time
	2 Hours (approx.)

thank you

For purchasing this
GPM Limited
product

If you need help or have damaged or missing parts, please email aftersales@gpmfurniture.co.uk

Safety and Care Advice

Important

- PLEASE READ THESE INSTRUCTIONS FULLY BEFORE STARTING ASSEMBLY
- PLEASE DO NOT THROW THE PACKAGING AWAY UNTIL YOU ARE SATISFIED WITH PURCHASE, GOODS NEED TO BE RETURNED IN ORIGINAL PACKAGING.

- Check you have all the components and tools listed on pages 4 and 5.
- Remove all fittings from the plastic bags and separate them into their groups.
- Keep children and animals away from the work area, small parts could choke if swallowed.
- Make sure you have enough space to lay out the parts before starting.
- Do not stand or put weight on the product, this could cause damage.
- Assemble the item as close to its final position (in the same room) as possible.
- Assemble on a soft, level surface to avoid damaging the unit or your floor.
- We do not recommend the use of power drill/drivers for inserting screws, as this could damage the unit. Only use hand screwdrivers.
- Dispose of all packaging carefully and responsibly.



Care and Maintenance

- Only clean using a damp cloth and mild detergent, do not use bleach or abrasive cleaners.
- From time to time check that there are no loose screws on this unit.
- This product should not be discarded with household waste. Take to your local authority waste disposal centre.

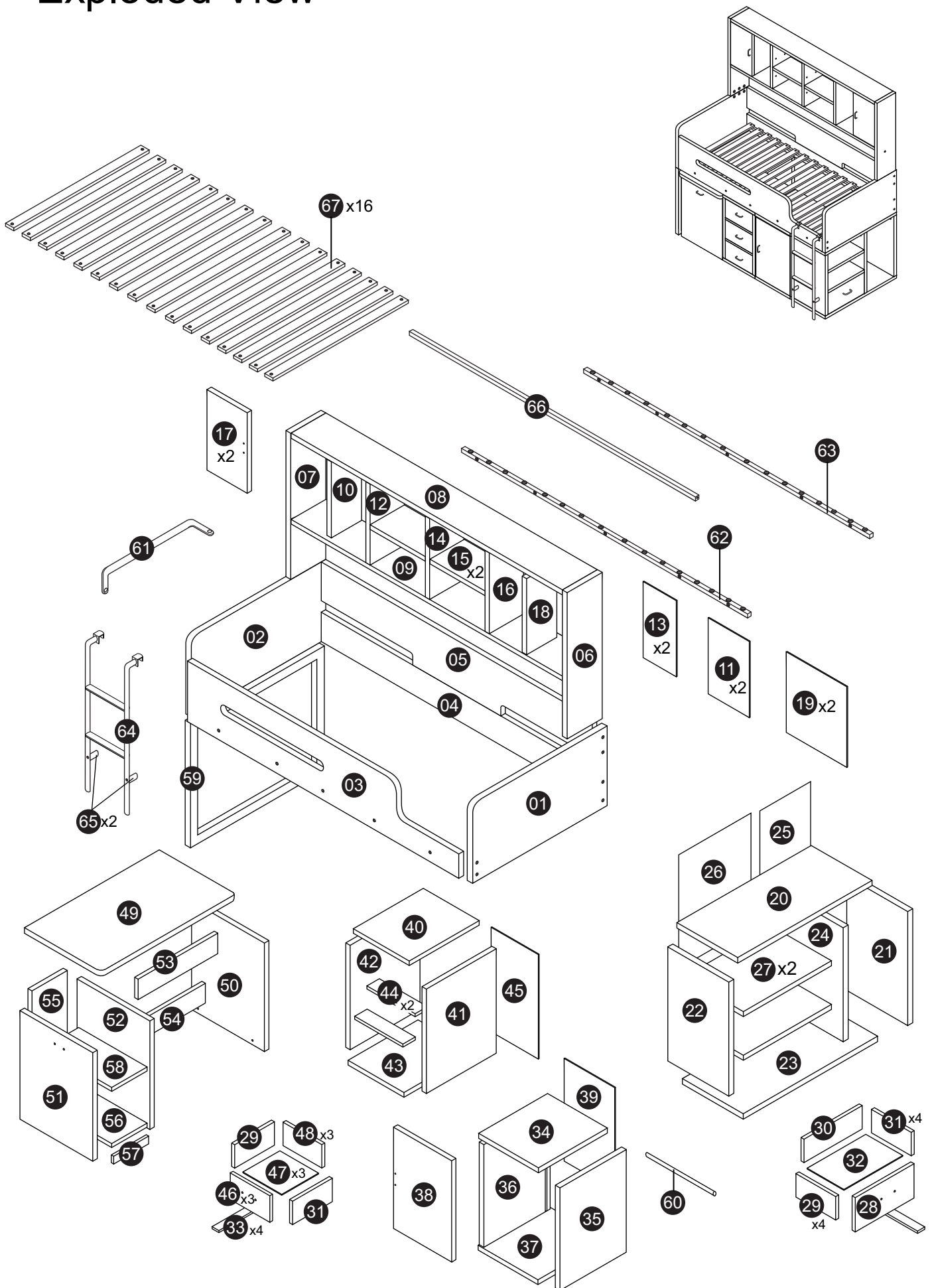
If kept outside please ensure in the winter months that the product is correctly covered or put away into a dry environment to prevent corrosion, weathering or damage.

If your product is not designed to be outside, we recommend that it is always kept indoors in a dry environment.

**If you are unhappy with the product and wish to return it,
please follow the retailer's returns procedure.**

Exploded View

If you have damaged or missing components, email: aftersales@gpmfurniture.co.uk



If you need help or have damaged or missing parts, please email aftersales@gpmfurniture.co.uk

Components - Panels

If you have damaged or missing components,
email: aftersales@gpmfurniture.co.uk

Please check that you have all the components listed below before constructing your item.

Carton 1 of 5

Part No	Description	Qty	Size (mm)	Thickness (mm)
20	TOP PANEL (CHEST)	1	956mm x 433mm	15mm
21	RIGHT PANEL (CHEST)	1	700mm x 432mm	15mm
22	LEFT PANEL (CHEST)	1	700mm x 432mm	15mm
23	BOTTOM PANEL (CHEST)	1	956mm x 433mm	15mm
24	CENTER PANEL (CHEST)	1	700mm x 432mm	15mm
27	SUPPORT PANEL (CHEST)	2	510mm x 410mm	15mm
28	FRONT PANEL (DRAWER)	1	502mm x 262mm	15mm
29	LEFT PANEL (DRAWER)	1	350mm x 164mm	15mm
30	BACK PANEL (DRAWER)	1	452mm x 163mm	15mm
31	RIGHT PANEL (DRAWER)	1	350mm x 164mm	15mm
32	BOTTOM PANEL (DRAWER)	1	462mm x 344mm	2.5mm
33	SUPPORT PANEL (DRAWER)	1	334mm x 70mm	15mm
60	HANGING RAIL	1	19mm x 432mm	19mm
64	METAL LADDER	1	352mm x 950mm	25mm
65	METAL SUPPORT LADDER	2	19mm x 72mm	19mm

FITTING LIST

Carton 2 of 5

Part No	Description	Qty	Size (mm)	Thickness (mm)
1	RIGHT PANEL	1	391mm x 956mm	25mm
2	LEFT PANEL	1	391mm x 956mm	25mm
3	SIDE FRONT PANEL	1	1930mm x 380mm	15mm
4	SIDE BACK PANEL (LOWER)	1	1930mm x 180mm	15mm
5	SIDE BACK PANEL (UPPER)	1	1930mm x 210mm	15mm
61	BRACET	1	16mm x 736mm	16mm
62	METAL SUPPORT BASE (BACK)	1	25mm x 1928mm	25mm
63	METAL SUPPORT BASE (FRONT)	1	25mm x 1928mm	25mm
67	LVL SLAT BASE	16	916mm x 1910mm	18mm

Important Please read these instructions fully before starting assembly

If you need help or have damaged or missing parts, please email aftersales@gpmfurniture.co.uk

Components - Panels

If you have damaged or missing components,
email: aftersales@gpmfurniture.co.uk

Please check that you have all the components listed below before constructing your item.

Carton 3 of 5

Part No	Description	Qty	Size (mm)	Thickness (mm)
29	LEFT PANEL (DRAWER)	3	350mm x 164mm	15mm
31	RIGHT PANEL (DRAWER)	3	350mm x 164mm	15mm
33	SUPPORT PANEL (DRAWER)	3	334mm x 70mm	15mm
35	RIGHT PANEL (CABINET)	1	700mm x 524mm	15mm
36	LEFT PANEL (CABINET)	1	700mm x 524mm	15mm
40	TOP PANEL (CHEST SMALL)	1	540mm x 432mm	15mm
41	RIGHT PANEL (CHEST SMALL)	1	700mm x 540mm	15mm
42	LEFT PANEL (CHEST SMALL)	1	700mm x 540mm	15mm
43	BOTTOM PANEL (CHEST SMALL)	1	540mm x 432mm	15mm
44	SUPPORT PANEL (CHEST SMALL)	2	400mm x 100mm	15mm
46	FRONT PANEL (DRAWER)	3	394mm x 216mm	15mm
47	BOTTOM PANEL (DRAWER)	3	354mm x 344mm	2.5mm
48	BACK PANEL (DRAWER)	3	344mm x 163mm	15mm

Carton 4 of 5

Part No	Description	Qty	Size (mm)	Thickness (mm)
25	BACK PANEL SMALL (CHEST)	1	410mm x 710mm	2.5mm
26	BACK PANEL BIG (CHEST)	1	520mm x 710mm	2.5mm
34	TOP PANEL (CABINET)	1	540mm x 472mm	15mm
37	BOTTOM PANEL (CABINET)	1	540mm x 472mm	15mm
38	DOOR (CABINET)	1	690mm x 460mm	15mm
39	BACK PANEL (CABINET)	1	710mm x 450mm	2.5mm
45	BACK PANEL (CHEST SMALL)	1	710mm x 410mm	2.5mm
49	TOP PANEL (DESK)	1	930mm x 580mm	15mm
50	RIGHT PANEL (DESK)	1	662mm x 550mm	15mm
51	LEFT PANEL (DESK)	1	706mm x 550mm	15mm
52	LEFT PANEL (DESK)	1	706mm x 550mm	15mm
53	SUPPORT PANEL UPPER (DESK)	1	600mm x 130mm	15mm
54	SUPPORT PANEL LOWER (DESK)	1	600mm x 130mm	15mm
55	BACK PANEL (DESK)	1	706mm x 268mm	15mm
56	BOTTOM PANEL (DESK)	1	534mm x 268mm	15mm
57	PLINTH PANEL (DESK)	1	268mm x 46mm	15mm
58	CENTER PANEL (DESK)	1	532mm x 268mm	15mm
59	METAL SUPPORT (LEFT PANEL)	1	735mm x 958mm	25mm

Important Please read these instructions fully before starting assembly

If you need help or have damaged or missing parts, please email aftersales@gpmfurniture.co.uk

Components - Panels

If you have damaged or missing components,
email: aftersales@gpmfurniture.co.uk

Please check that you have all the components listed below before constructing your item.

Carton 5 of 5

Part No	Description	Qty	Size (mm)	Thickness (mm)
06	RIGHT PANEL (OPEN SHELF)	1	900mm x 250mm	25mm
07	LEFT PANEL (OPEN SHELF)	1	900mm x 250mm	25mm
08	TOP PANEL (OPEN SHELF)	1	1930mm x 250mm	15mm
09	BOTTOM PANEL (OPEN SHELF)	1	1930mm x 250mm	15mm
10	SUPPORT PANEL (OPEN SHELF)	1	468mm x 234mm	15mm
11	BACK PANEL (OPEN SHELF)	2	478mm x 290mm	2.5mm
12	SUPPORT PANEL (OPEN SHELF)	1	468mm x 248mm	15mm
13	BACK PANEL (OPEN SHELF)	2	478mm x 260mm	2.5mm
14	CENTER SUPPORT PANEL (OPEN SHELF)	1	468mm x 248mm	15mm
15	CENTER PANEL (OPEN SHELF)	2	395mm x 226mm	15mm
16	SUPPORT PANEL (OPEN SHELF)	1	468mm x 248mm	15mm
17	DOOR (OPEN SHELF)	2	460mm x 290mm	15mm
18	SUPPORT PANEL (OPEN SHELF)	1	468mm x 234mm	15mm
19	BACK PANEL CENTER (OPEN SHELF)	2	478mm x 405mm	2.5mm
66	METAL CENTER SUPPORT(OPEN SHELF)	1	25mm x 1930mm	25mm
FITTING LIST				

Important Please read these instructions fully before starting assembly

If you need help or have damaged or missing parts, please email aftersales@gpmfurniture.co.uk






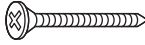
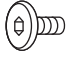
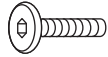
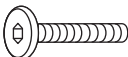
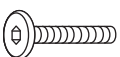
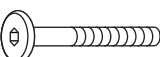
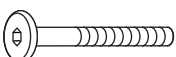










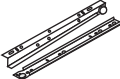


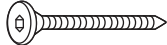
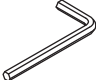
Components - Fixings

If you have damaged or missing components,
email: aftersales@gpmfurniture.co.uk

Please check that you have all the components listed below before constructing your item.

Note: The quantities below are the correct amount to complete the assembly. In some cases more fittings may be supplied than are required.

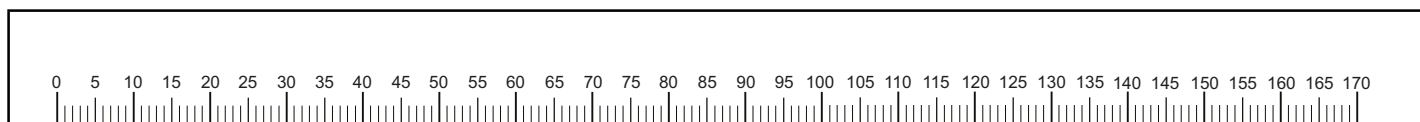
Carton 1 of 5

(A)	 X64	(B)	 X64	(D)	M8 x 25mm  X96	(E)	M6 x 40mm  X9
(F)	14mm  X72	(G)	45mm  X34	(H)	M6 x 12mm  X2	(I)	M6 x 25mm  X4
(J)	M6 x 30mm  X32	(K)	M6 x 35mm  X12	(L)	M6 x 50mm  X4	(M)	M6 x 60mm  X12
(N)	 X16	(O)	 X10	(Q)	 X2set	(R)	 X2
(S)	 X5set	(T)	 X1set	(U)	 X2	(V)	 X2
(W)	 X2	(X)	 X1	(Y)	 X4set	(Z)	 X2
(Z1)	 X6	(Z2)	M6 x 50mm screw  X4	(Z3)	 X2		

Tools Required



Ruler – Use this to measure your screws (mm)



Important – Please read these instructions fully before starting assembly

If you need help or have damaged or missing parts, please email aftersales@gpmfurniture.co.uk



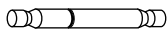
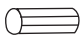

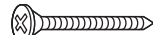
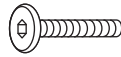
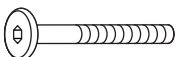



Components - Fixings

If you have damaged or missing components,
email: aftersales@gpmfurniture.co.uk

Please check that you have all the components listed below before constructing your item.

Note: The quantities below are the correct amount to complete the assembly. In some cases more fittings may be supplied than are required.

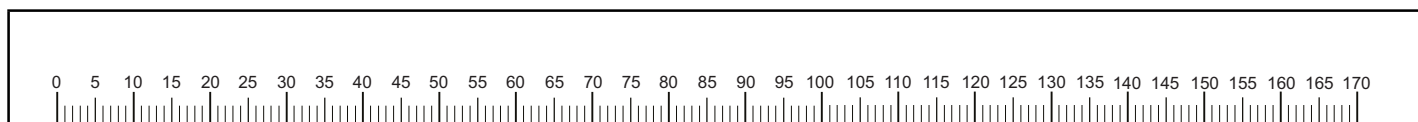
Carton 5 of 5

(A)	 X30	(B)	 X18	(C)	 X6	(D)	M8 x 25mm  X18
(F)	14mm  X16	(G)	45mm  X10	(K)	M6 x 35mm  X2	(M)	M6 x 60mm  X2
(P)	 X4set	(S)	 X2set	(Z1)	 X8		

Tools Required



Ruler – Use this to measure your screws (mm)




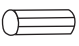


Important – Please read these instructions fully before starting assembly

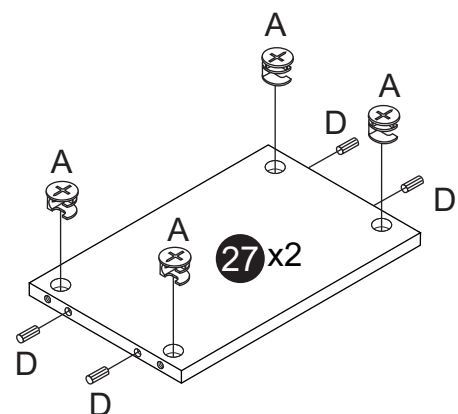
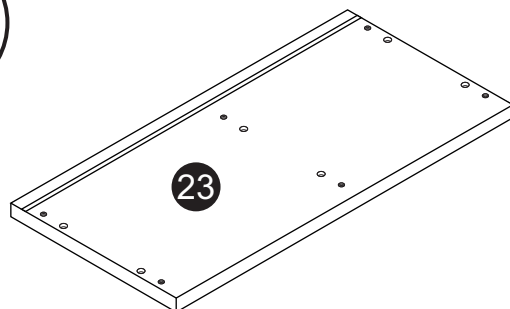
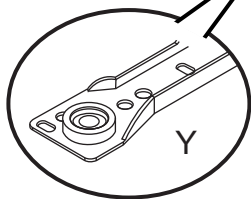
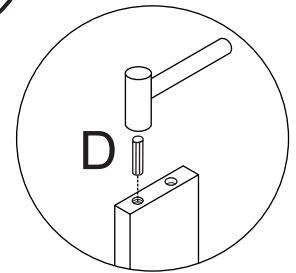
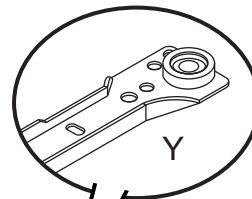
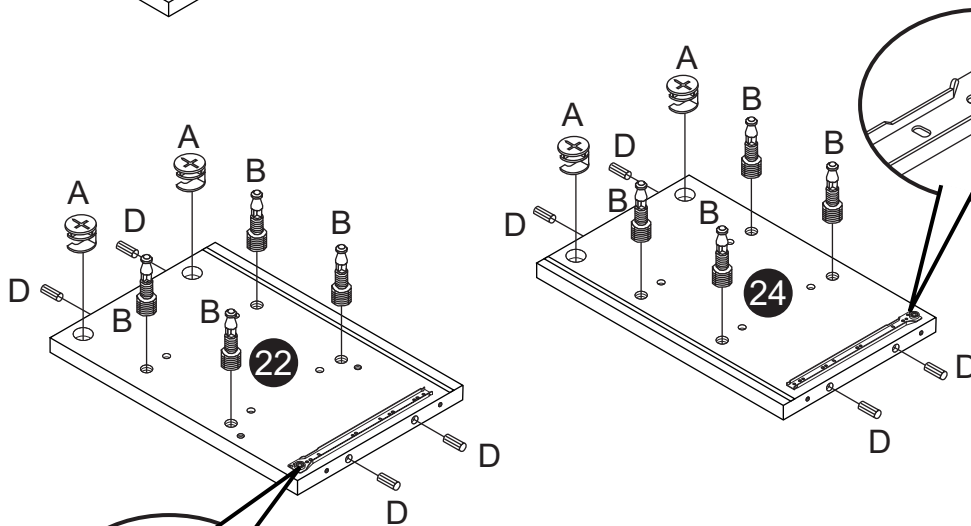
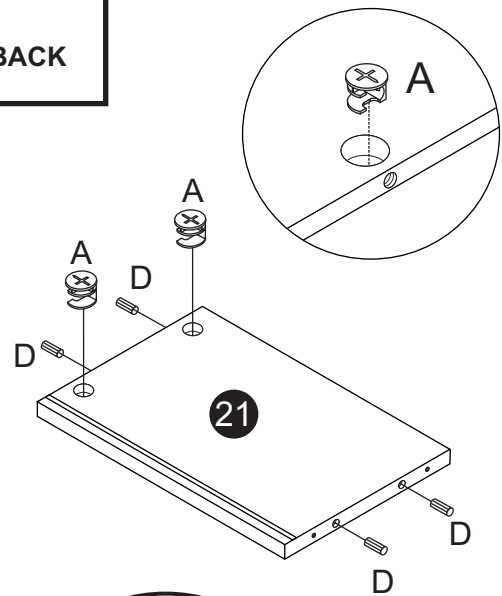
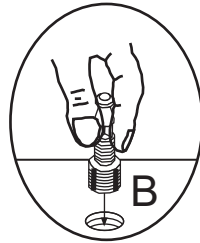
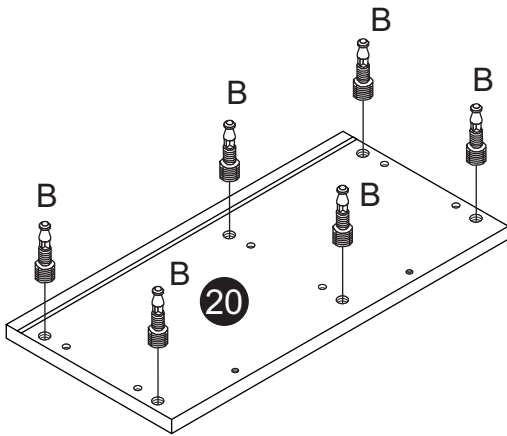
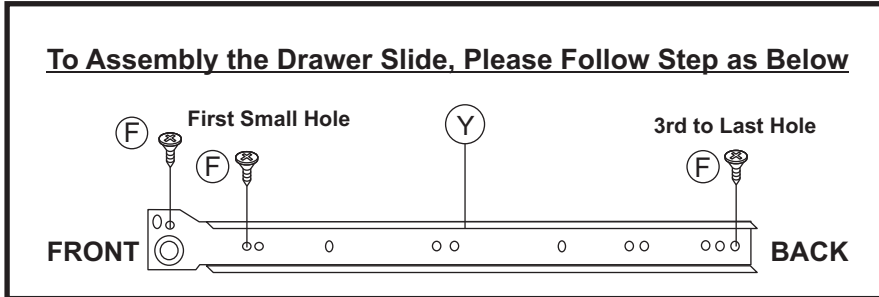
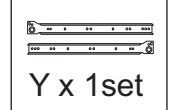
If you need help or have damaged or missing parts, please email aftersales@gpmfurniture.co.uk

Assembly Instructions

If you have damaged or missing components, email: aftersales@gpmfurniture.co.uk

Step 1

			
F x 6	D x 20	B x 14	A x 14

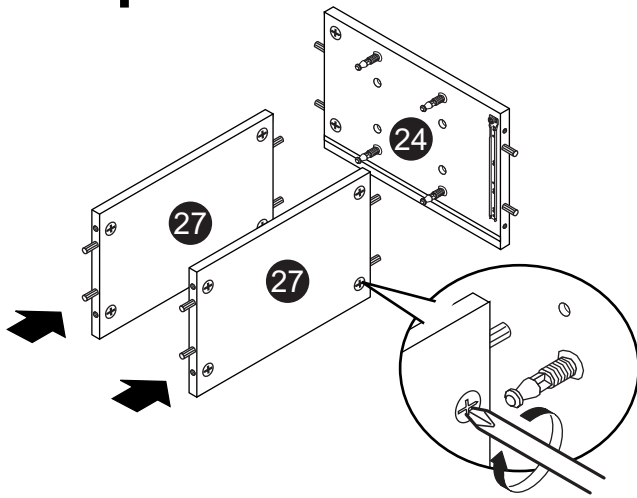


If you need help or have damaged or missing parts, please email aftersales@gpmfurniture.co.uk

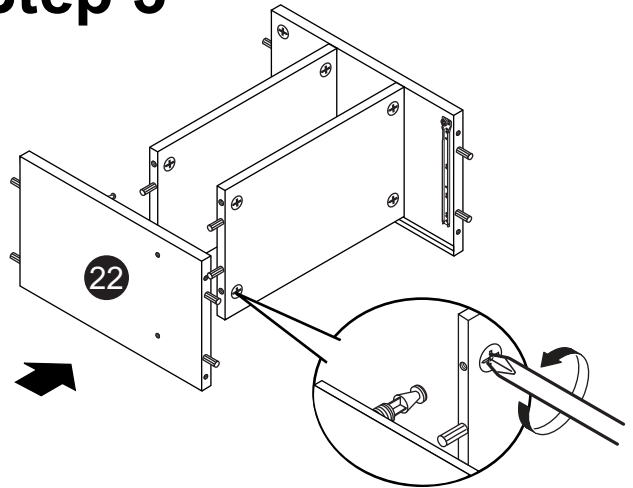
Assembly Instructions

If you have damaged or missing components,
email: aftersales@gpmfurniture.co.uk

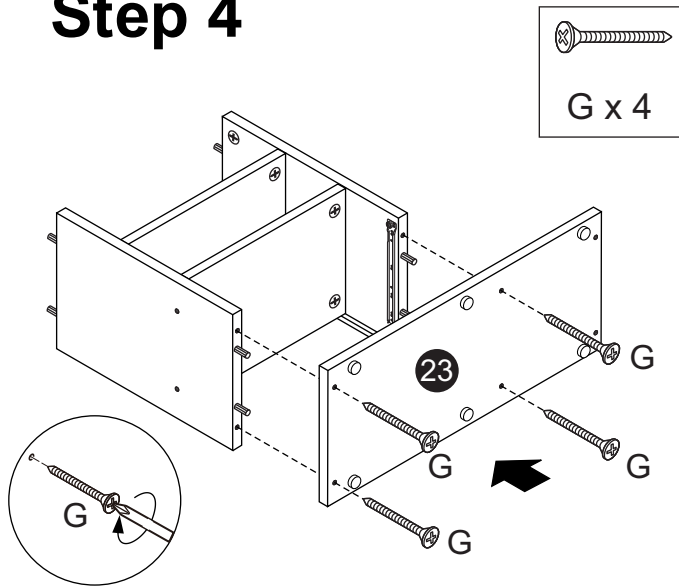
Step 2



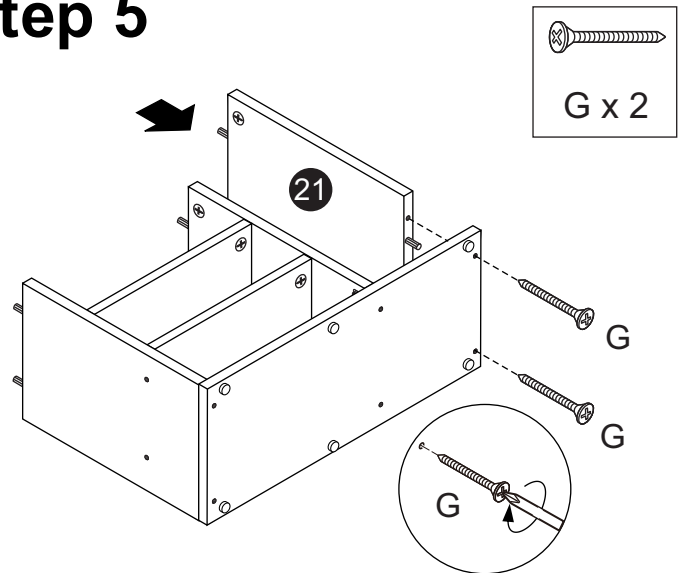
Step 3



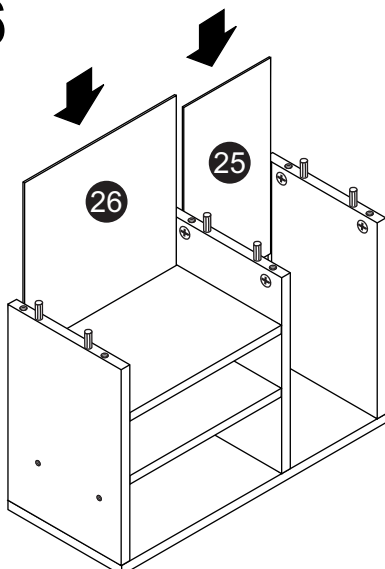
Step 4



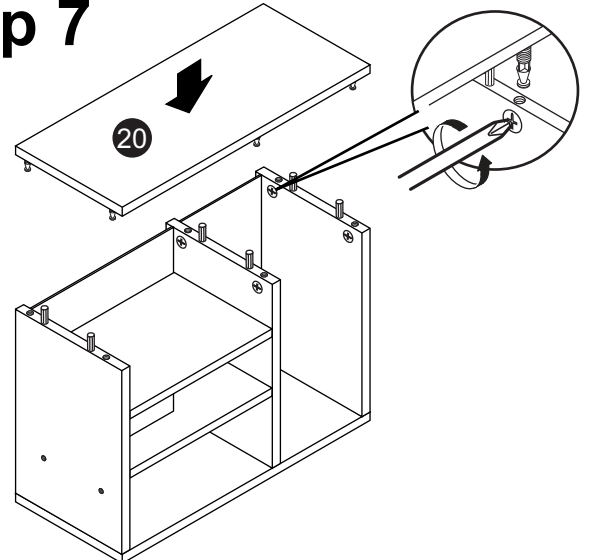
Step 5



Step 6



Step 7

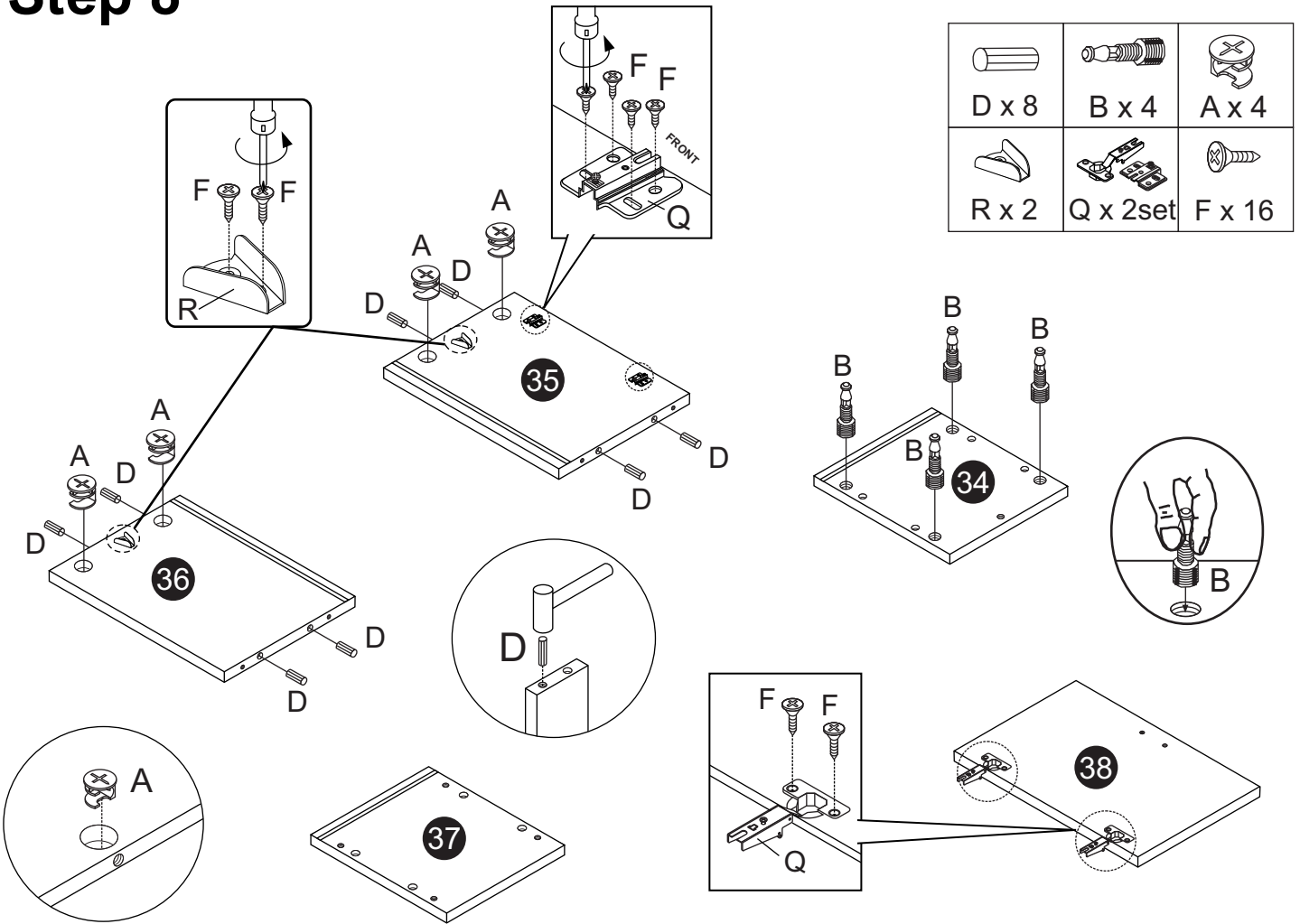


If you need help or have damaged or missing parts, please email aftersales@gpmfurniture.co.uk

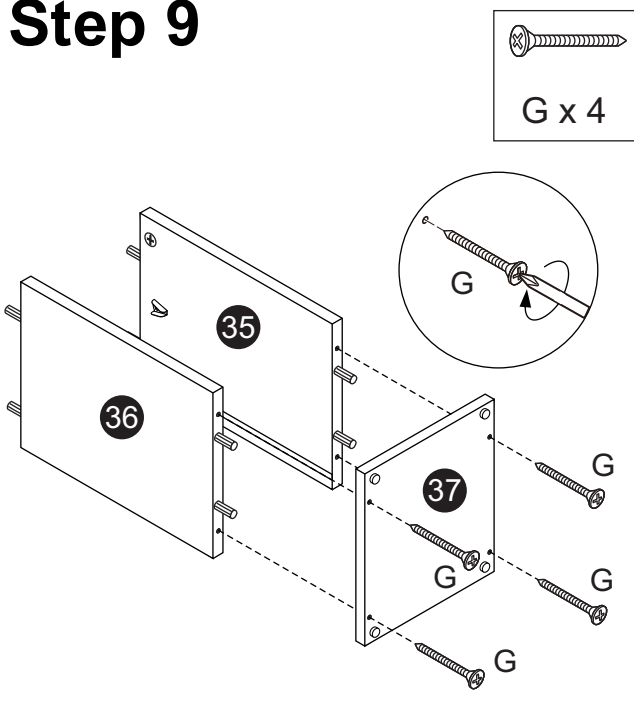
Assembly Instructions

If you have damaged or missing components, email: aftersales@gpmfurniture.co.uk

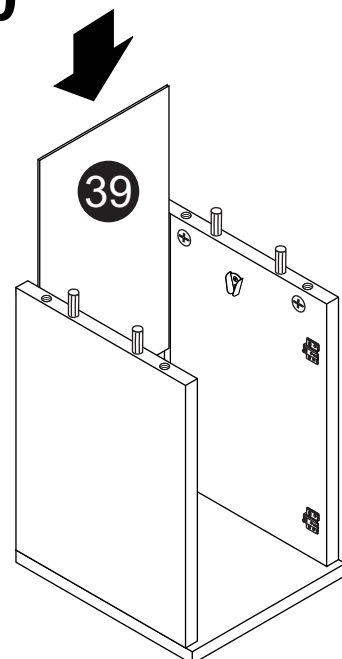
Step 8



Step 9



Step 10

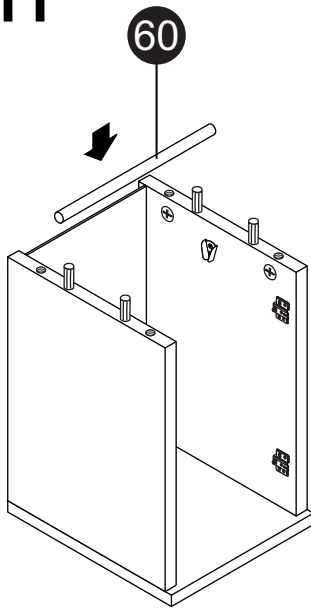


If you need help or have damaged or missing parts, please email aftersales@gpmfurniture.co.uk

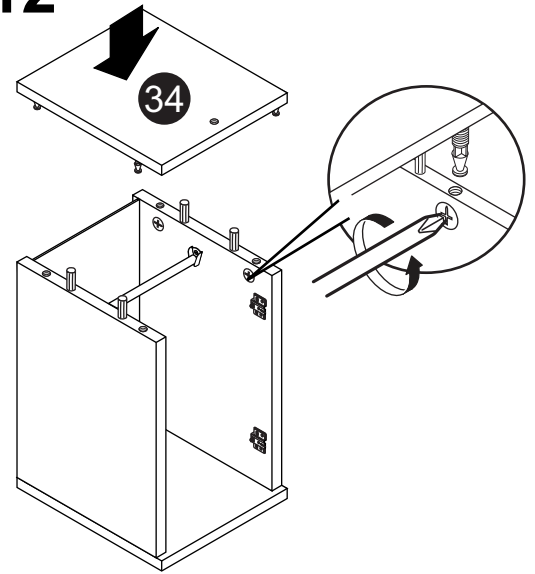
Assembly Instructions

If you have damaged or missing components, email: aftersales@gpmfurniture.co.uk

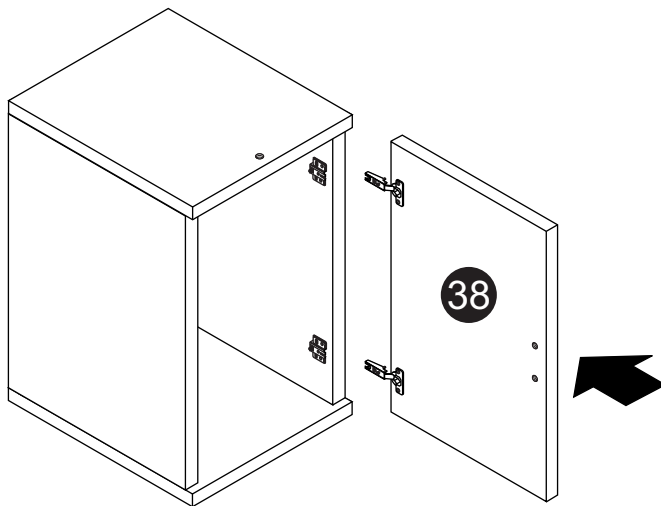
Step 11



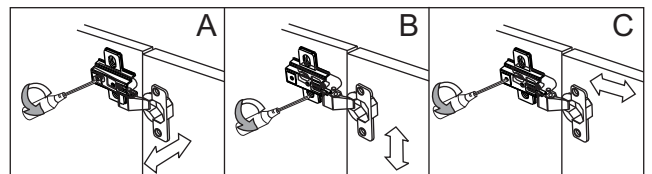
Step 12



Step 13



Hinge Adjustment Guide

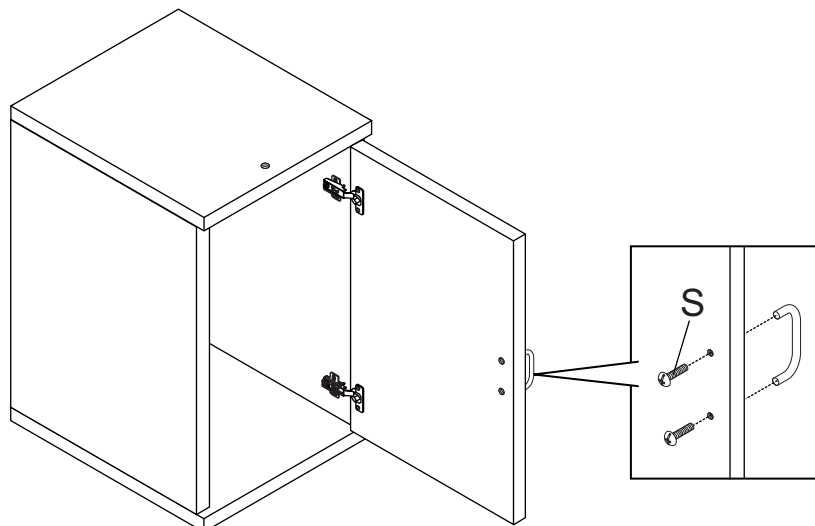


A. Lateral adjustment by screw adjusting

B. Vertical adjustment via slot in the mounting plate

C. Front-to-Back by the slacking the hinge arm mounting screw

Step 14


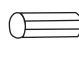
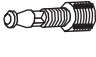



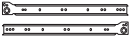
If you need help or have damaged or missing parts, please email aftersales@gpmfurniture.co.uk

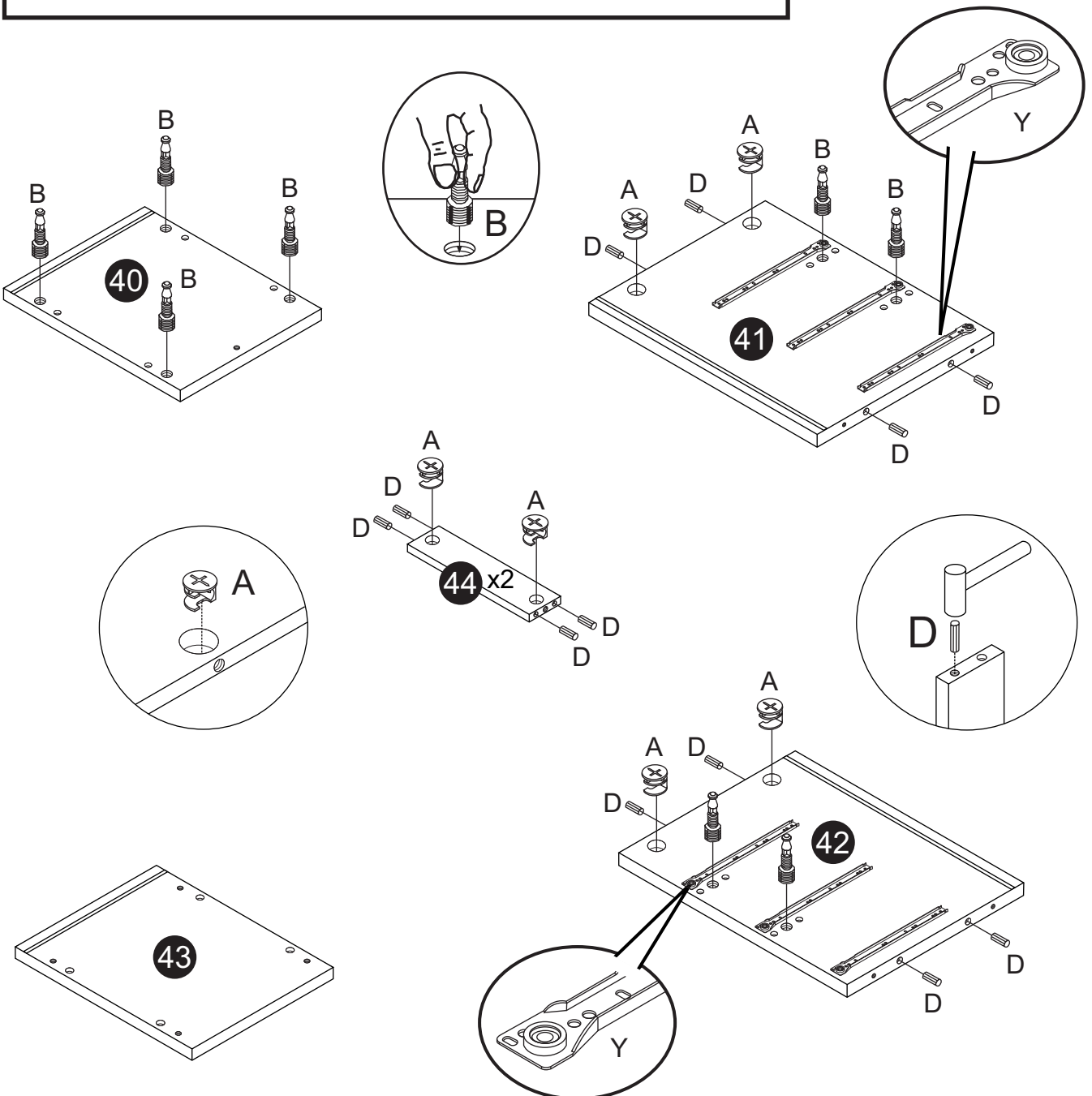
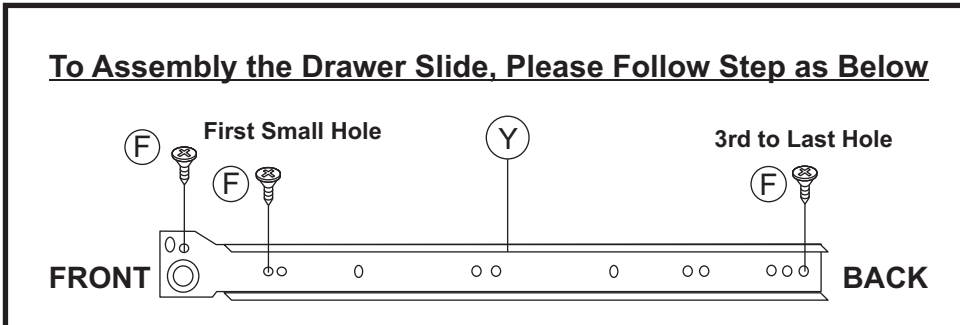
Assembly Instructions

If you have damaged or missing components, email: aftersales@gpmfurniture.co.uk

Step 15

			
F x 18	D x 16	B x 8	A x 8

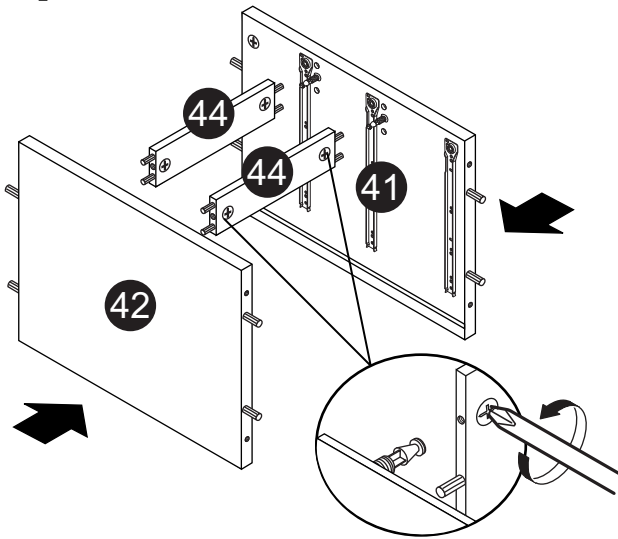

Y x 3set



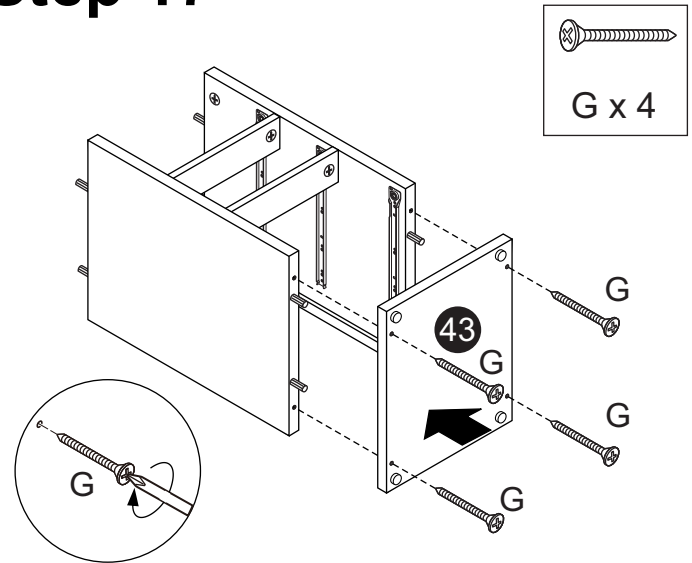
Assembly Instructions

If you have damaged or missing components, email: aftersales@gpmfurniture.co.uk

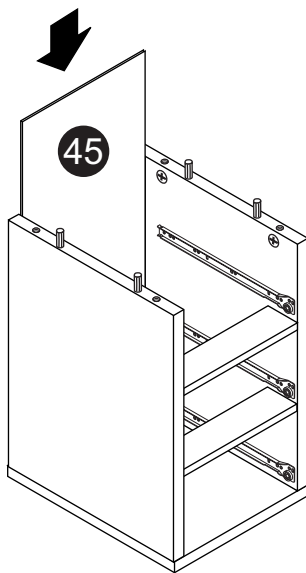
Step 16



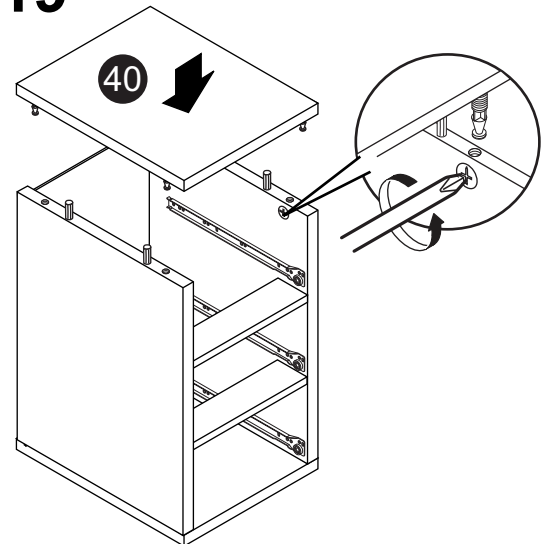
Step 17



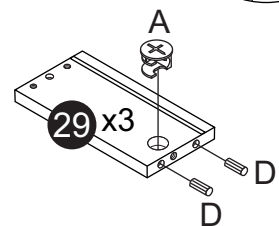
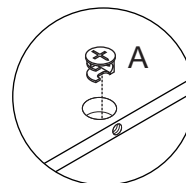
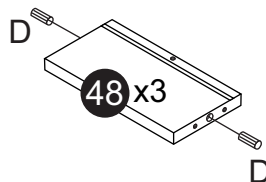
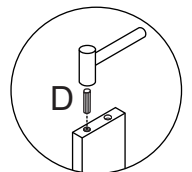
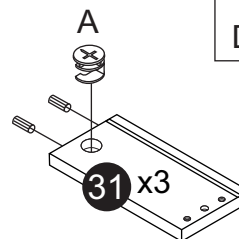
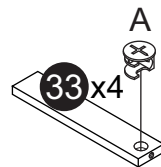
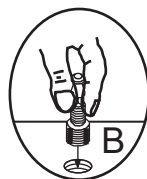
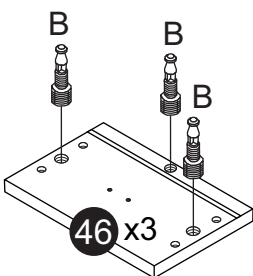
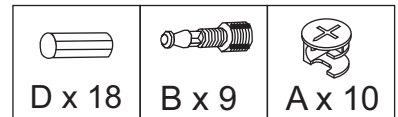
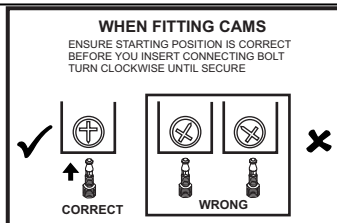
Step 18



Step 19



Step 20

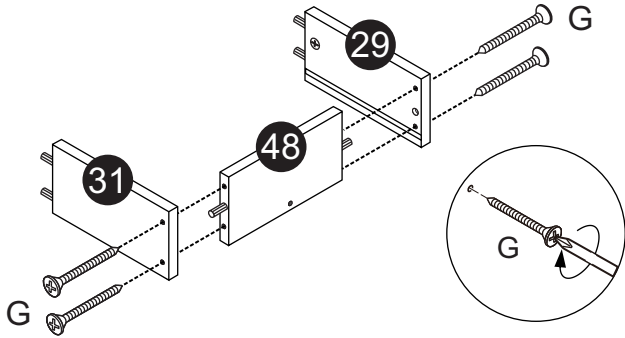
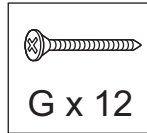


If you need help or have damaged or missing parts, please email aftersales@gpmfurniture.co.uk

Assembly Instructions

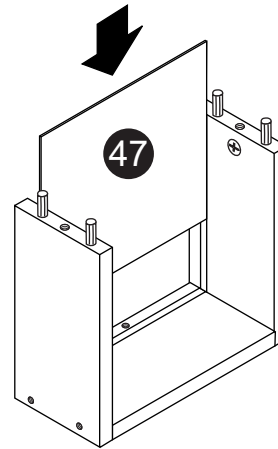
If you have damaged or missing components,
email: aftersales@gpmfurniture.co.uk

Step 21



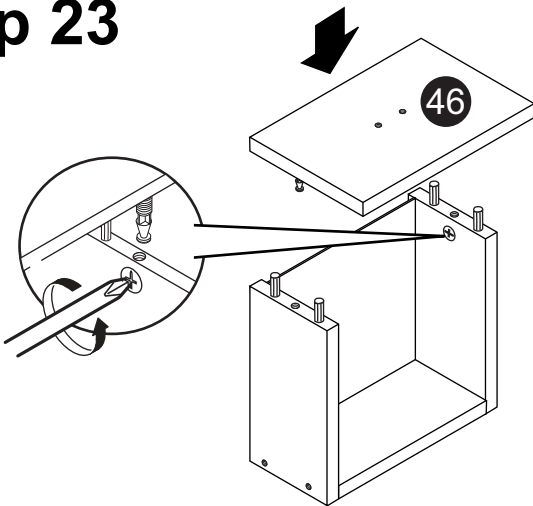
Do This Step 3 Times

Step 22



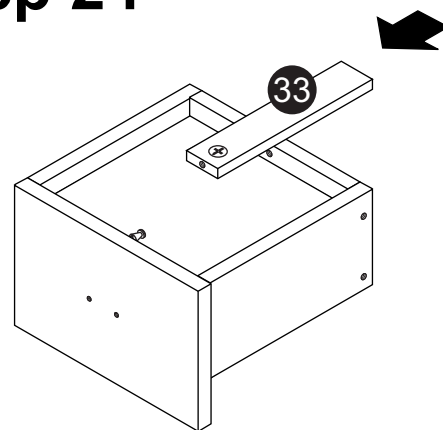
Do This Step 3 Times

Step 23



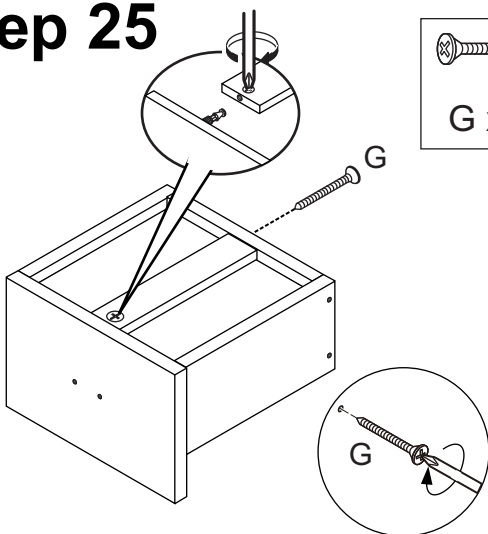
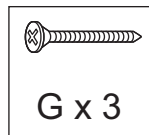
Do This Step 3 Times

Step 24



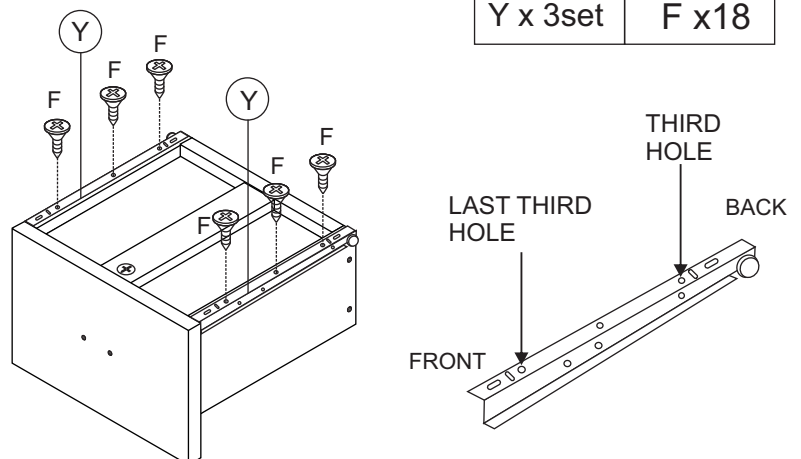
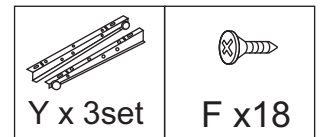
Do This Step 3 Times

Step 25



Do This Step 3 Times

Step 26



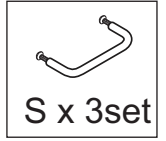
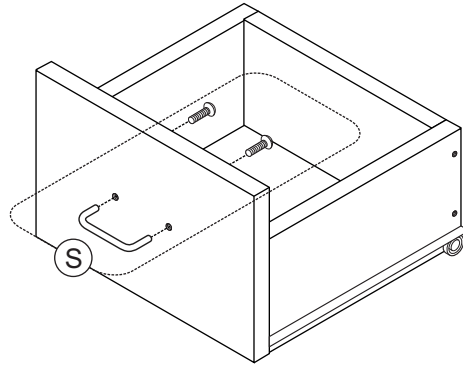
Do This Step 3 Times

If you need help or have damaged or missing parts, please email aftersales@gpmfurniture.co.uk

Assembly Instructions

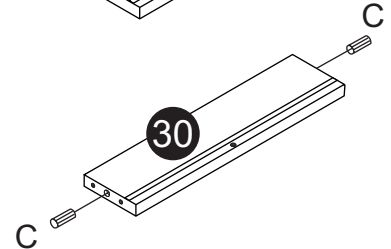
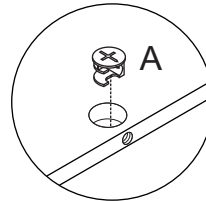
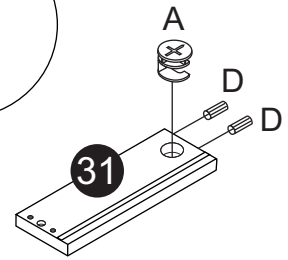
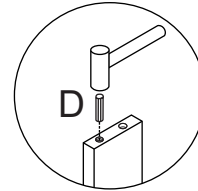
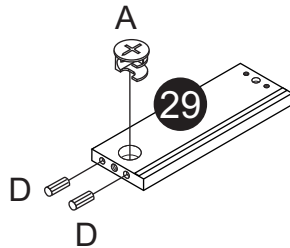
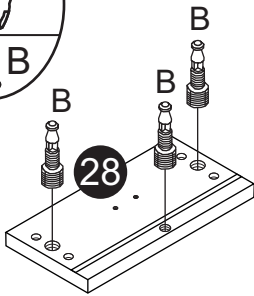
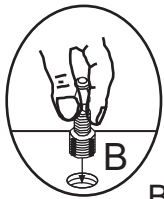
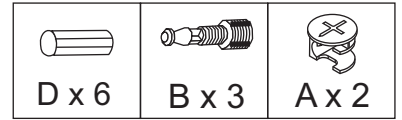
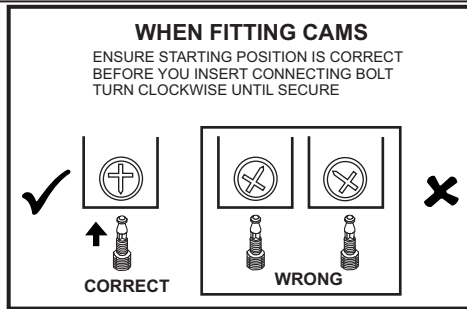
If you have damaged or missing components,
email: aftersales@gpmfurniture.co.uk

Step 27

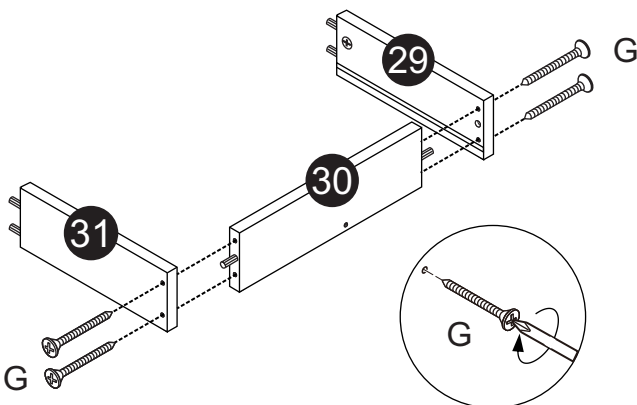
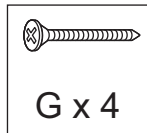


Do This Step 3 Times

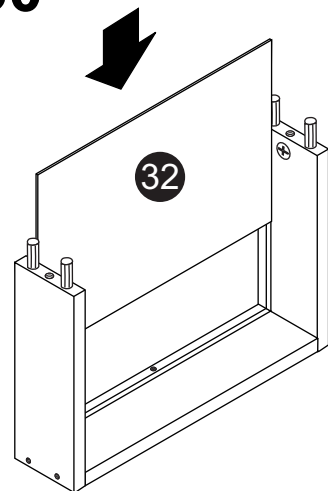
Step 28



Step 29



Step 30

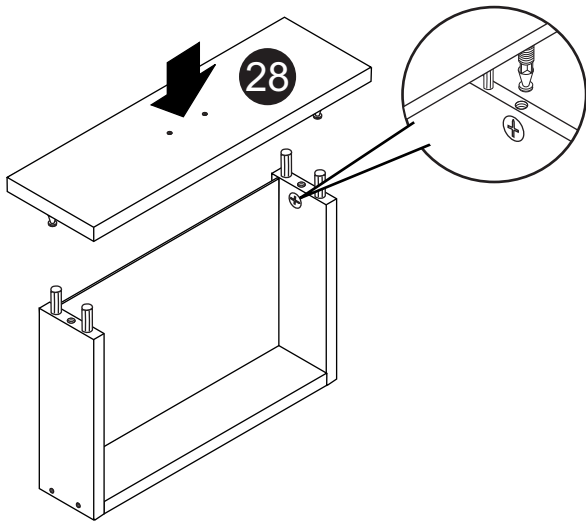


If you need help or have damaged or missing parts, please email aftersales@gpmfurniture.co.uk

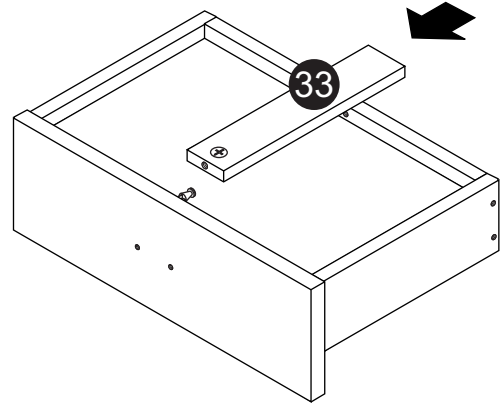
Assembly Instructions

If you have damaged or missing components,
email: aftersales@gpmfurniture.co.uk

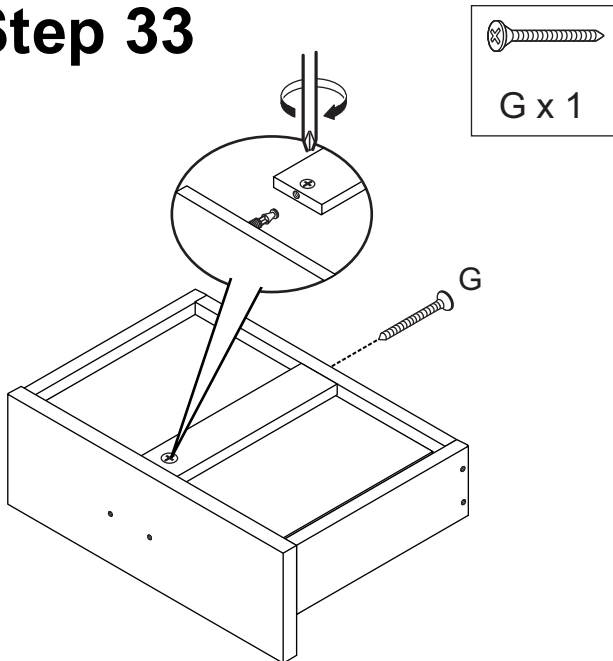
Step 31



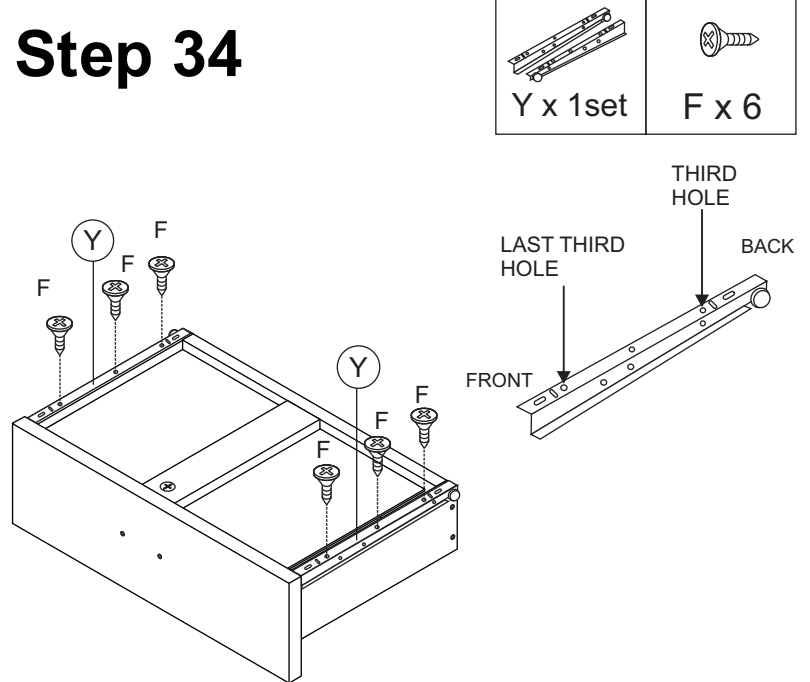
Step 32



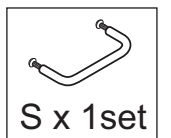
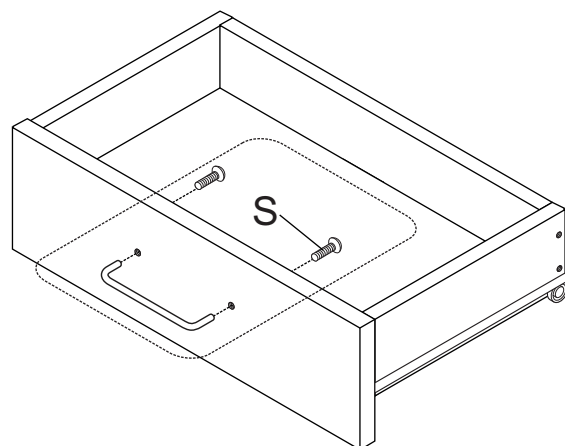
Step 33



Step 34



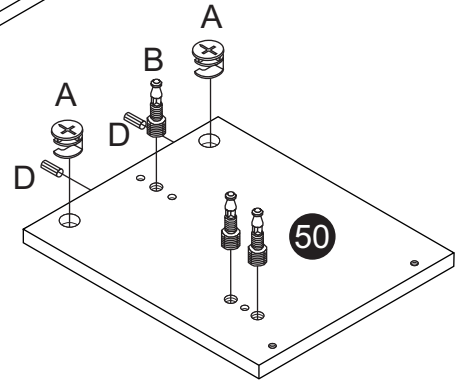
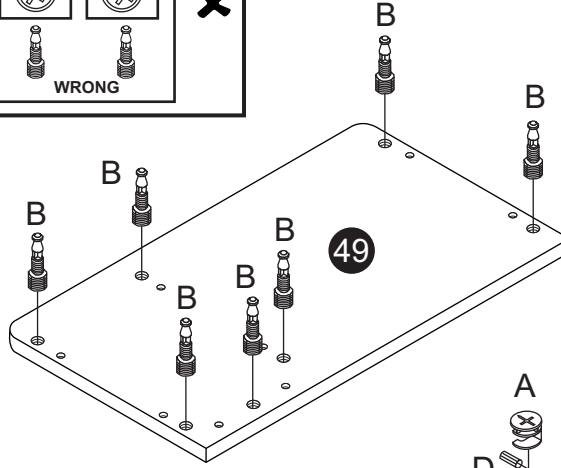
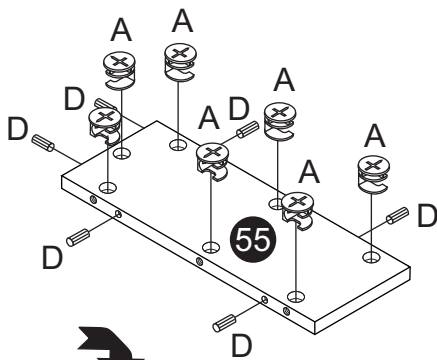
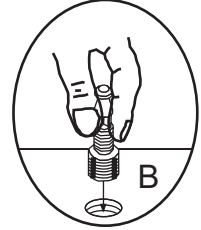
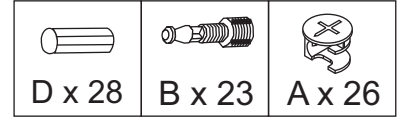
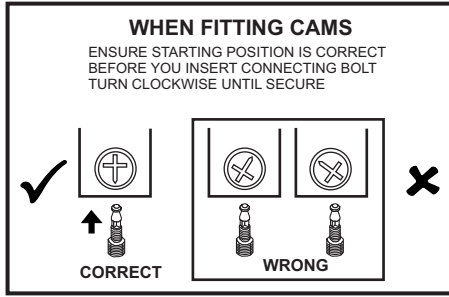
Step 35



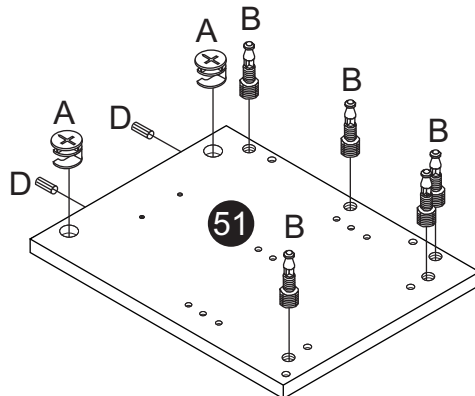
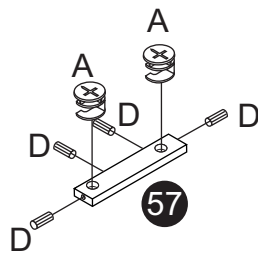
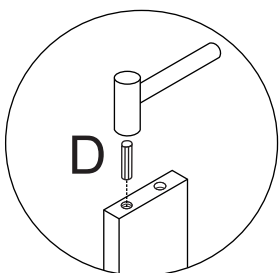
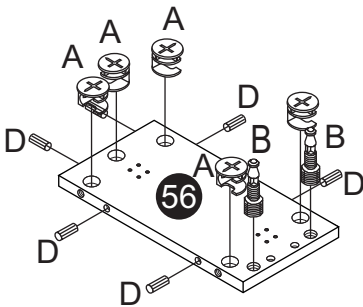
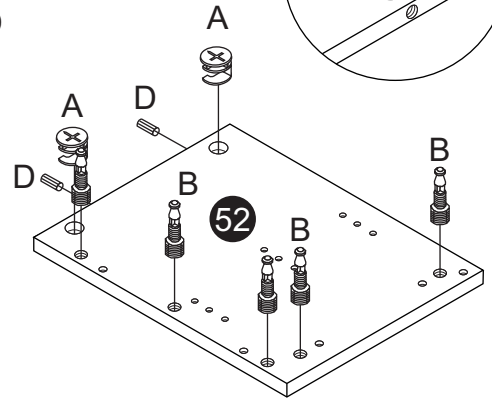
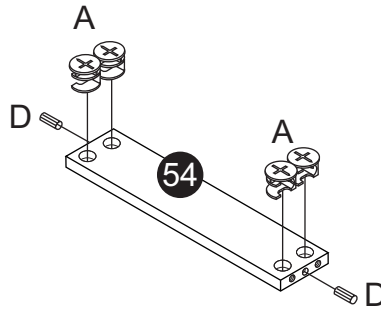
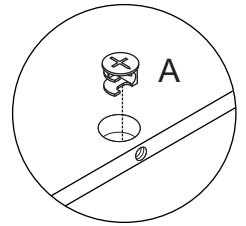
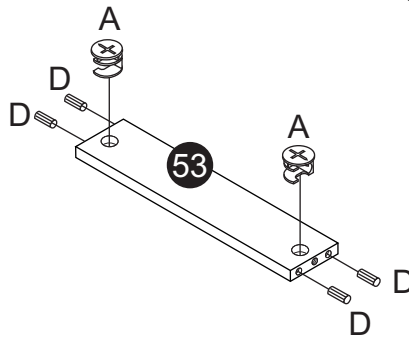
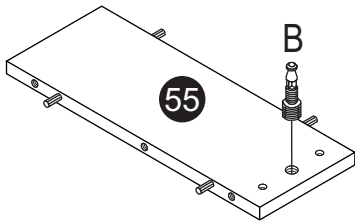
Assembly Instructions

If you have damaged or missing components,
email: aftersales@gpmfurniture.co.uk

Step 36



Turn Over

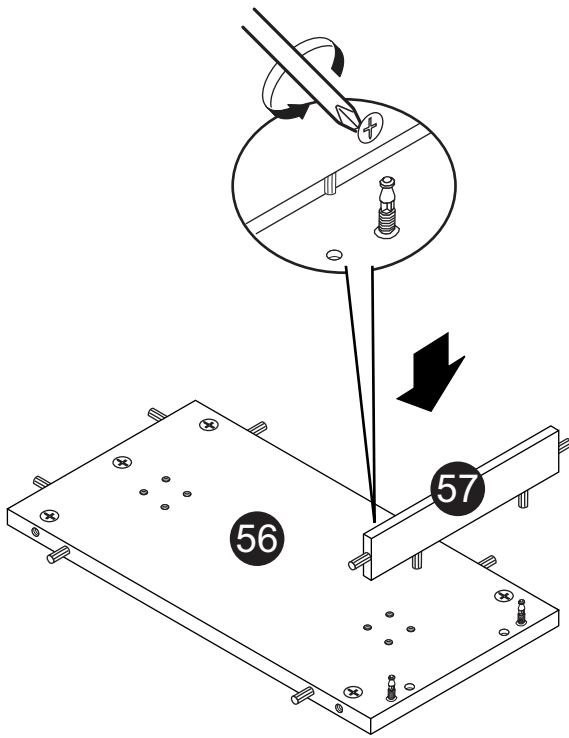


If you need help or have damaged or missing parts, please email aftersales@gpmfurniture.co.uk

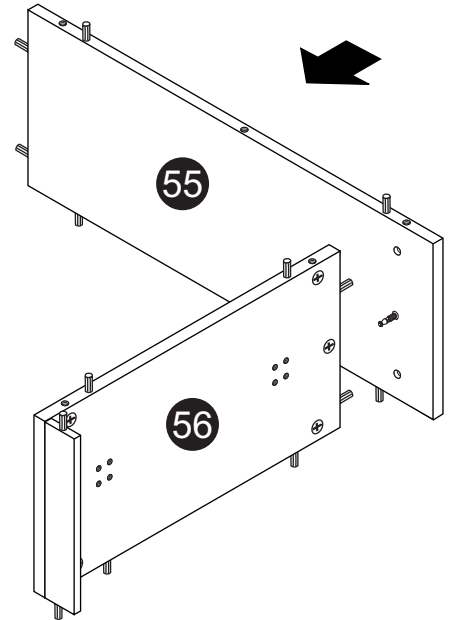
Assembly Instructions

If you have damaged or missing components,
email: aftersales@gpmfurniture.co.uk

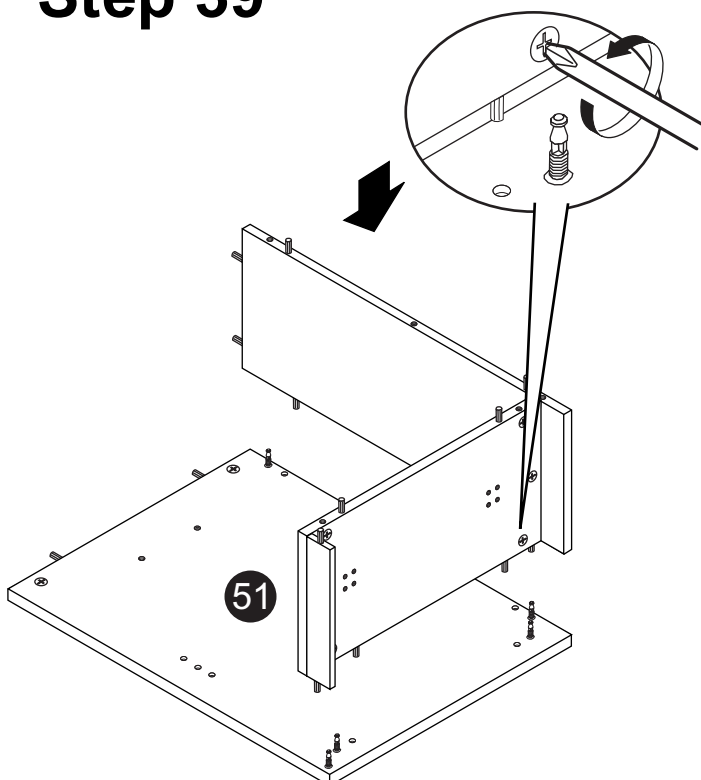
Step 37



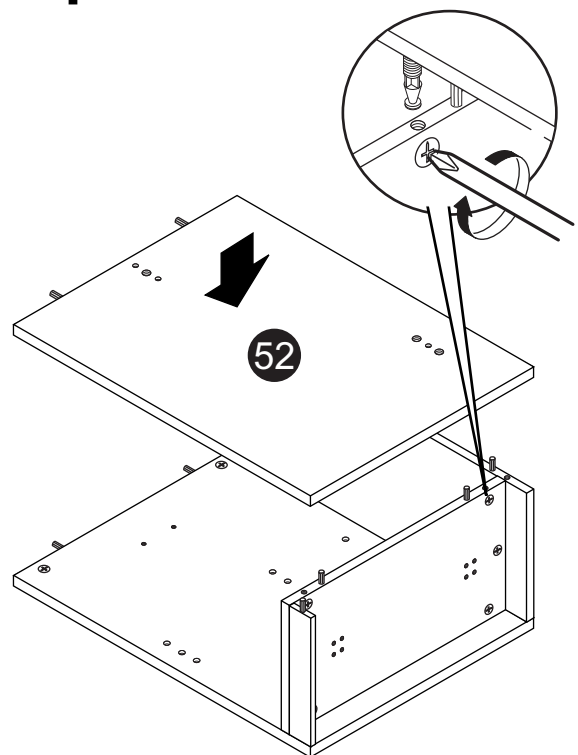
Step 38



Step 39



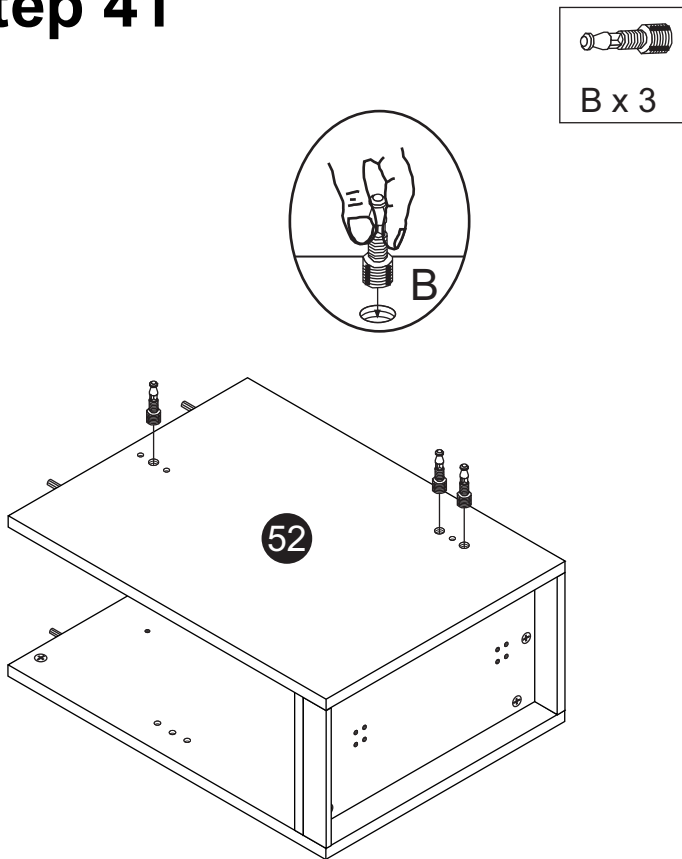
Step 40



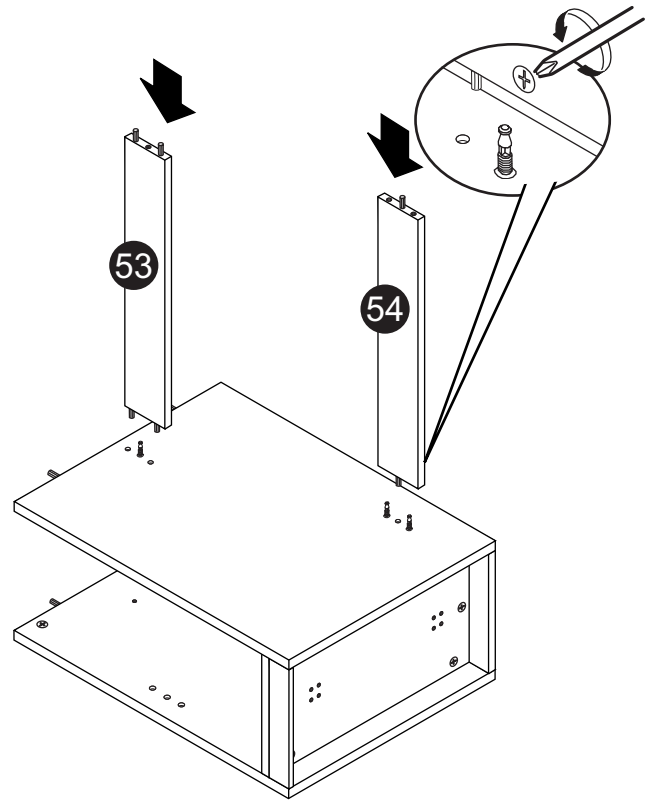
Assembly Instructions

If you have damaged or missing components,
email: aftersales@gpmfurniture.co.uk

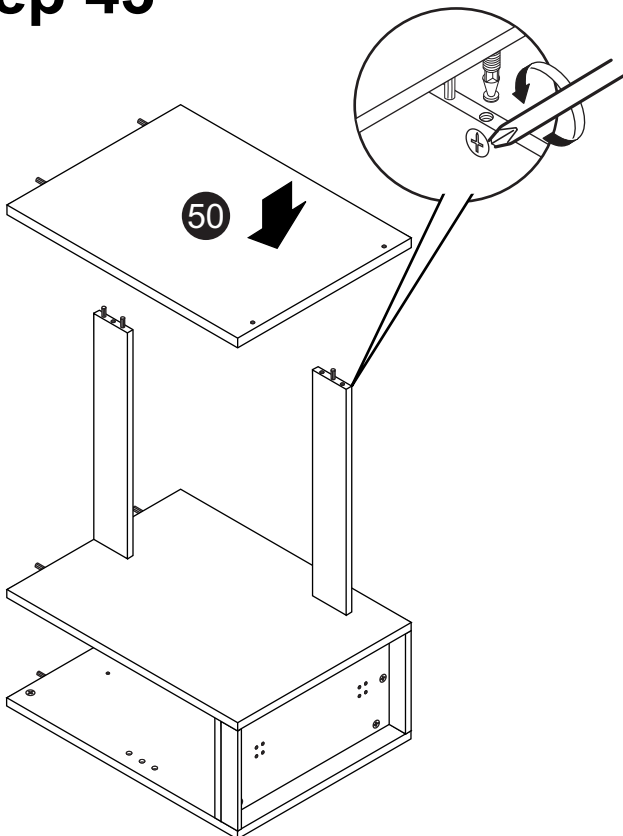
Step 41



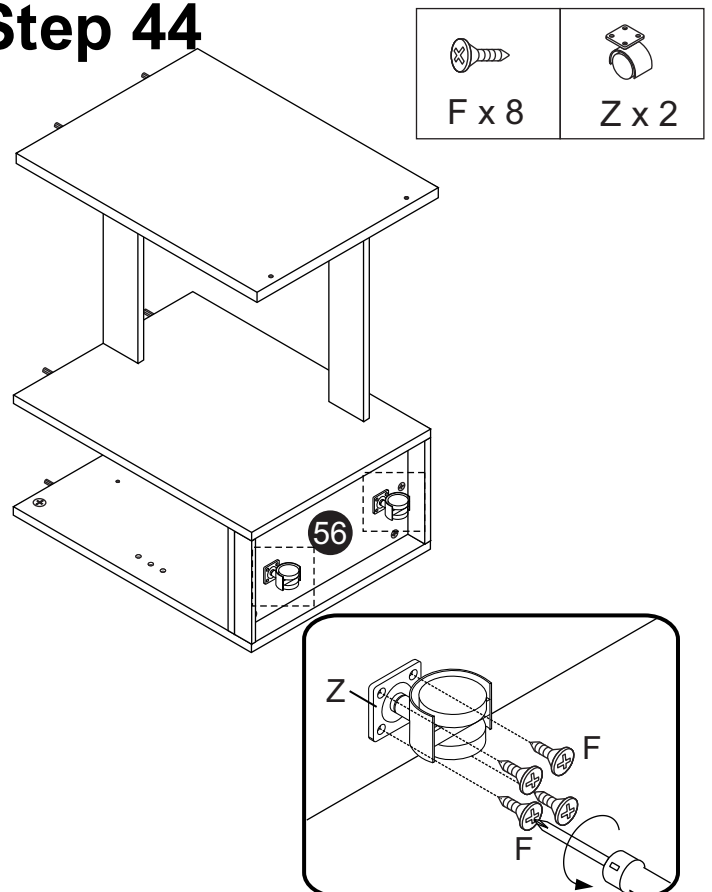
Step 42



Step 43



Step 44

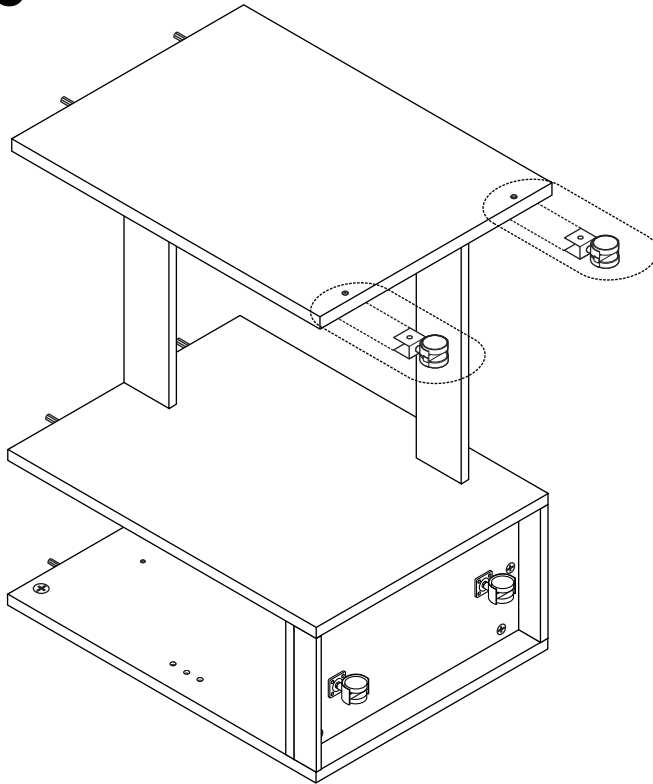







If you need help or have damaged or missing parts, please email aftersales@gpmfurniture.co.uk

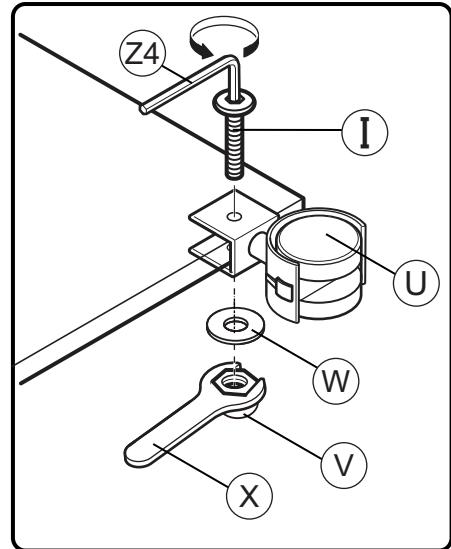
Assembly Instructions

If you have damaged or missing components, email: aftersales@gpmfurniture.co.uk

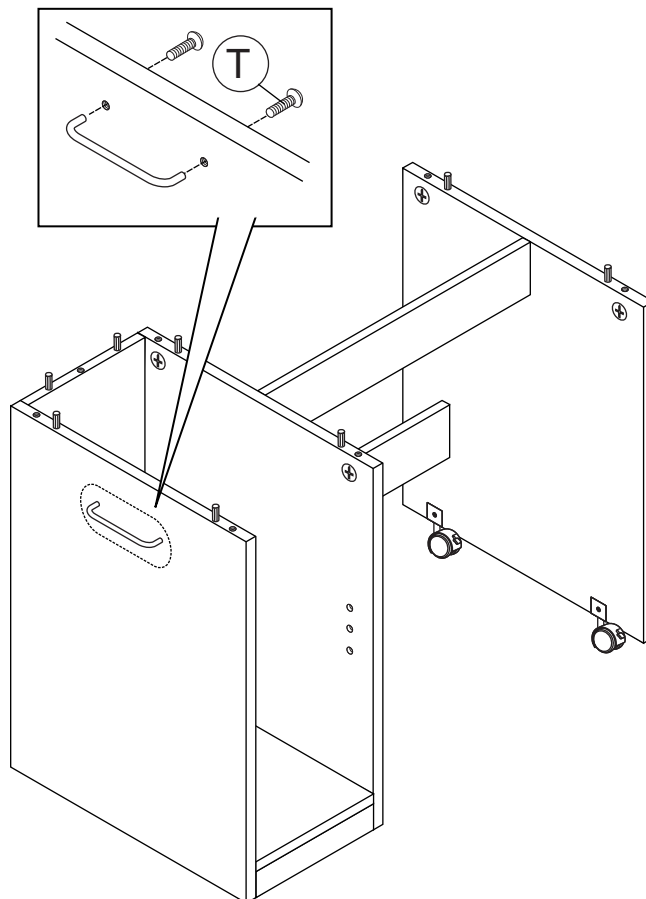
Step 45




 V x 2	 U x 2	 I x 2
 W x 2	 X x 1	



Step 46



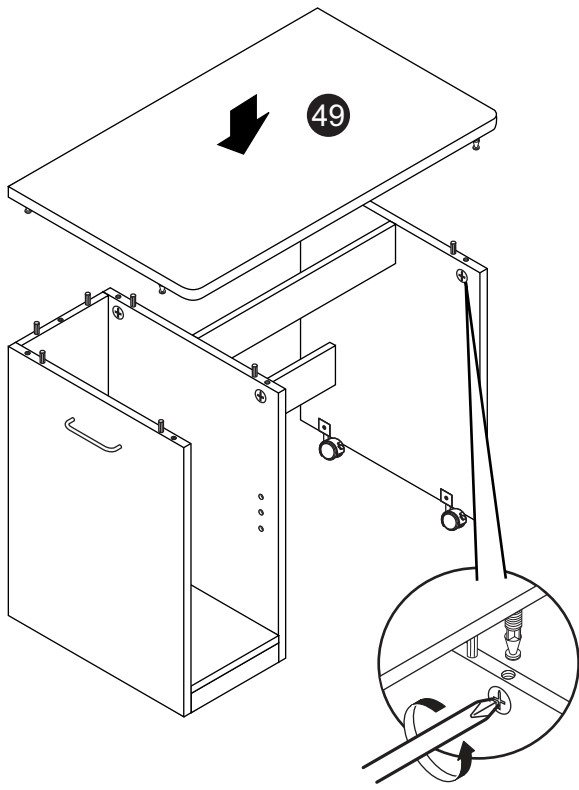
 T x 1
--

If you need help or have damaged or missing parts, please email aftersales@gpmfurniture.co.uk

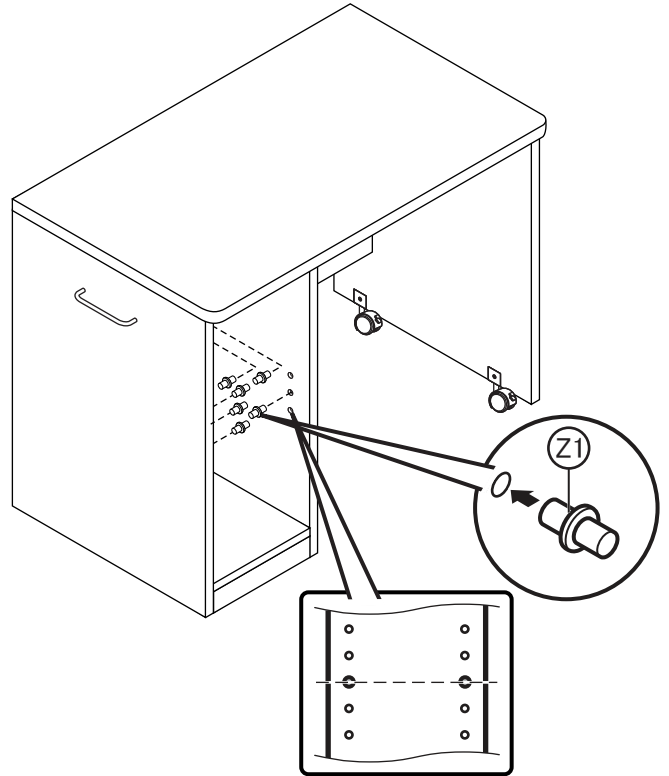
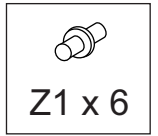
Assembly Instructions

If you have damaged or missing components,
email: aftersales@gpmfurniture.co.uk

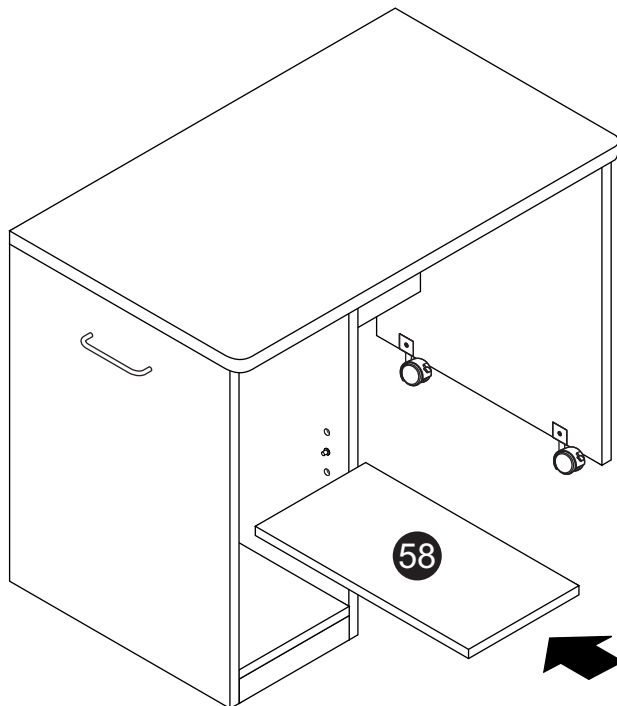
Step 47



Step 48



Step 49



Assembly Instructions

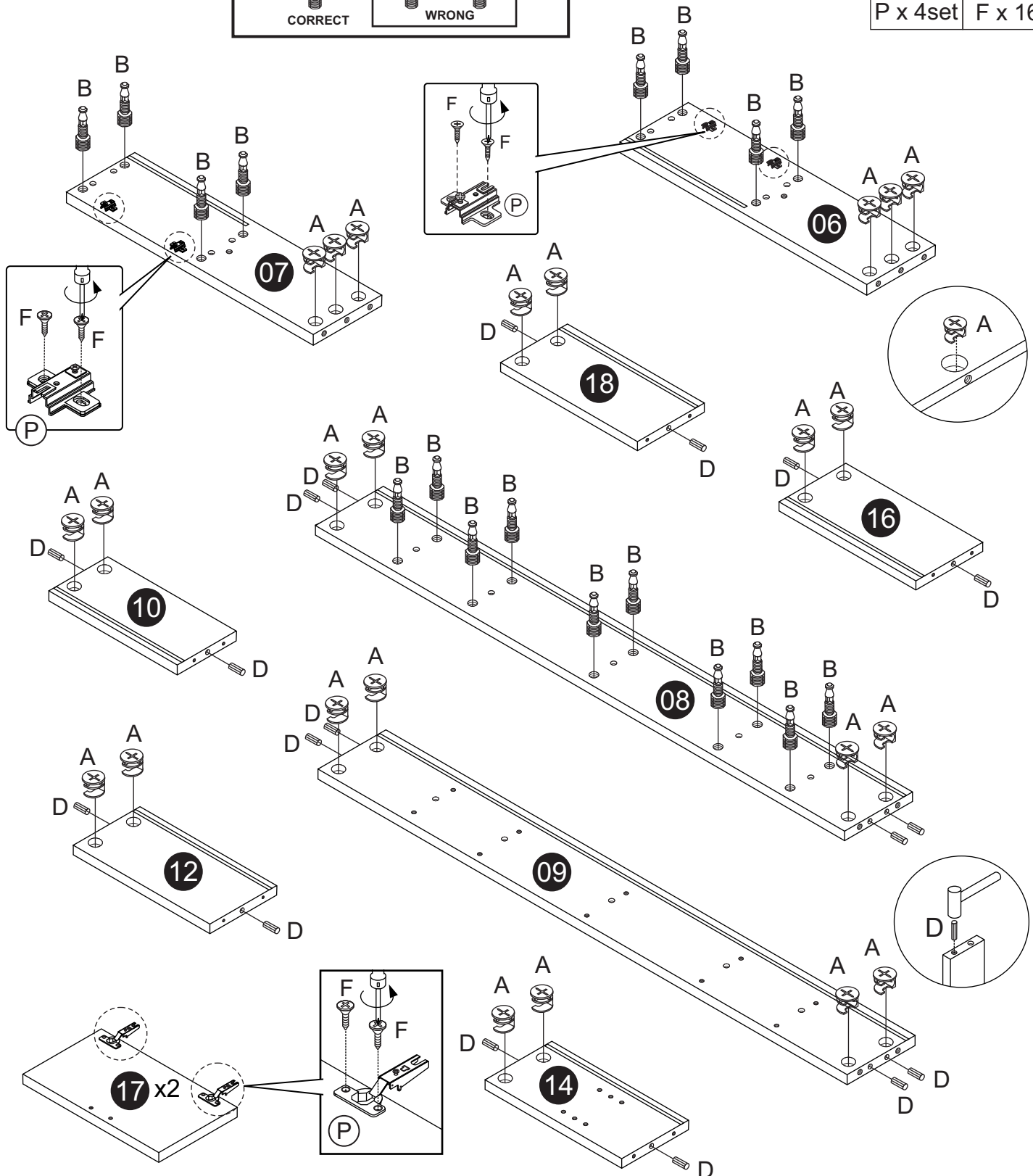
If you have damaged or missing components, email: aftersales@gpmfurniture.co.uk

Step 50

WHEN FITTING CAMS
 ENSURE STARTING POSITION IS CORRECT
 BEFORE YOU INSERT CONNECTING BOLT
 TURN CLOCKWISE UNTIL SECURE

✓ **CORRECT** ✗ **WRONG**

D x 18	B x 18	A x 24
	P x 4set	F x 16

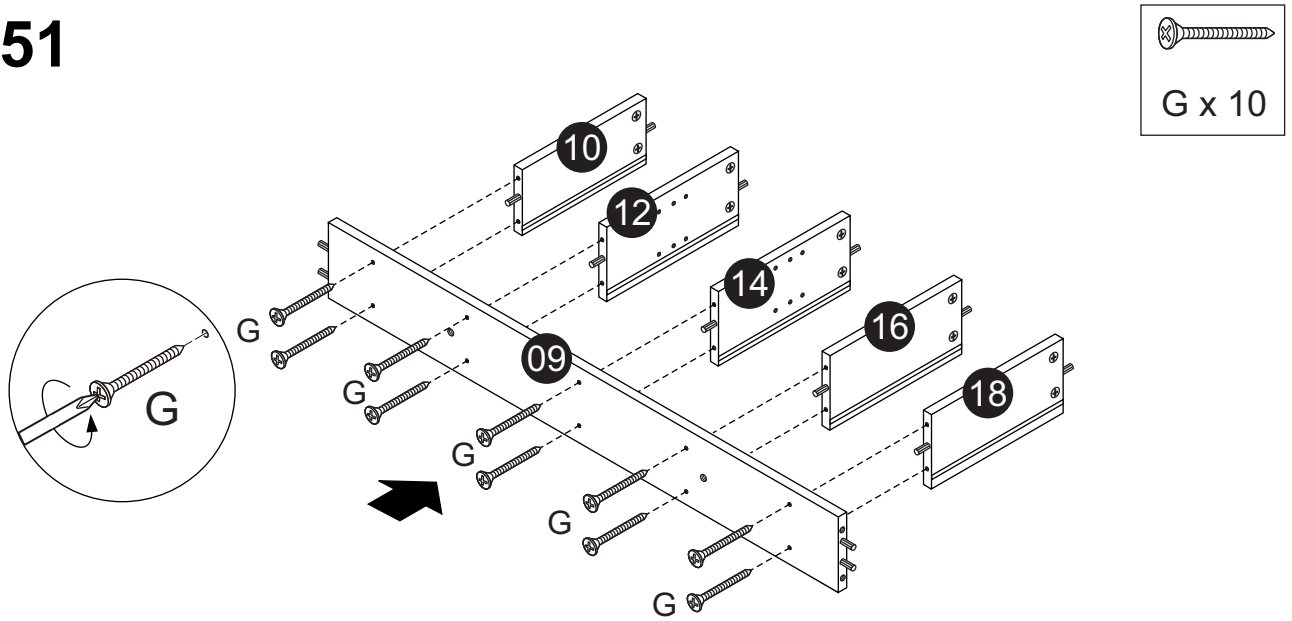


If you need help or have damaged or missing parts, please email aftersales@gpmfurniture.co.uk

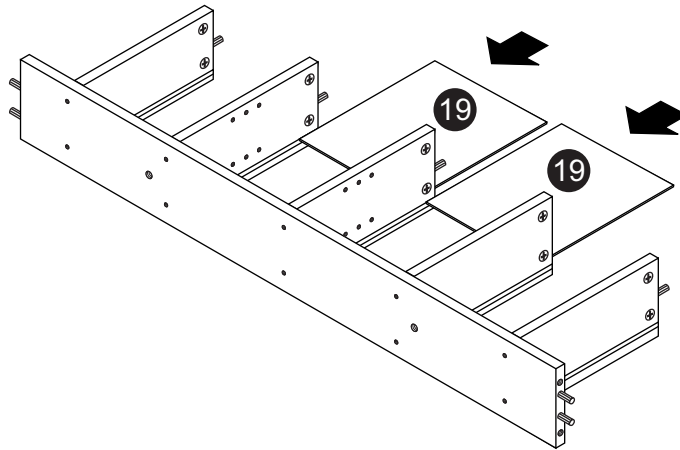
Assembly Instructions

If you have damaged or missing components,
email: aftersales@gpmfurniture.co.uk

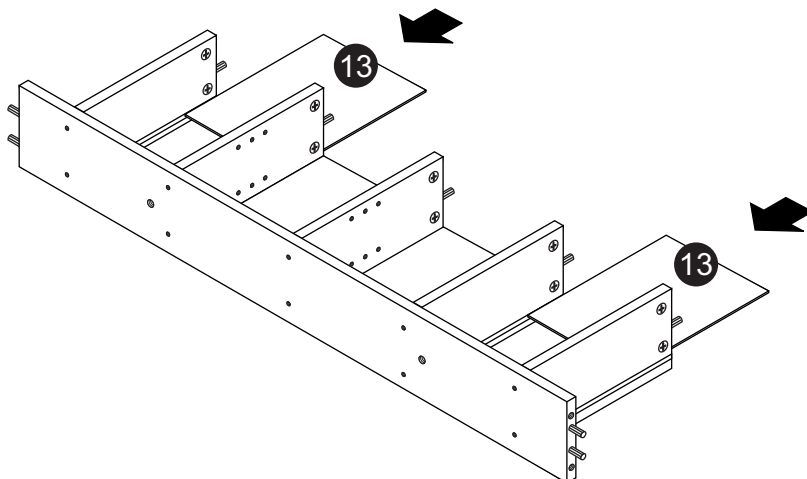
Step 51



Step 52



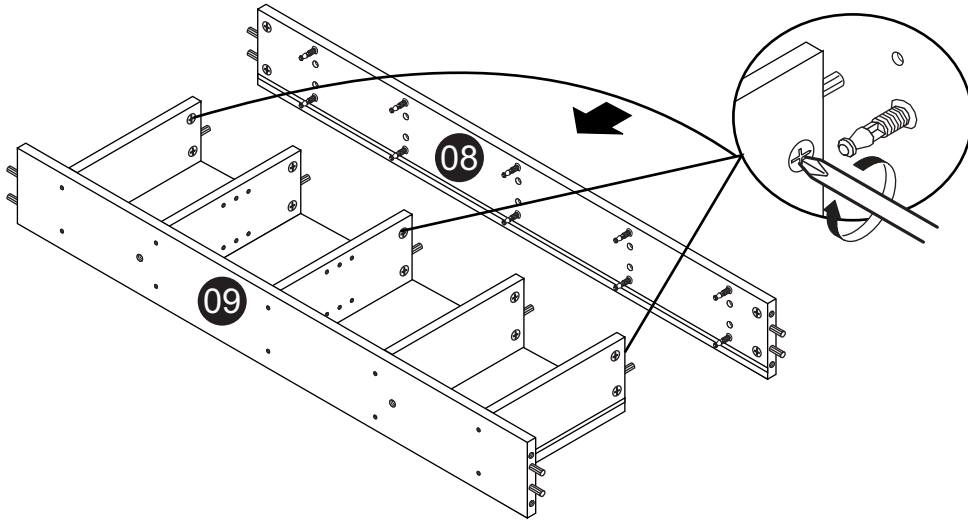
Step 53



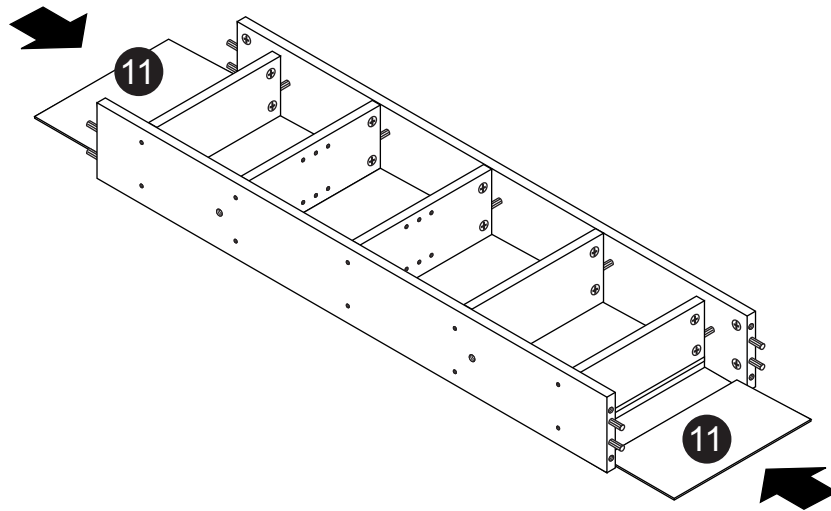
Assembly Instructions

If you have damaged or missing components,
email: aftersales@gpmfurniture.co.uk

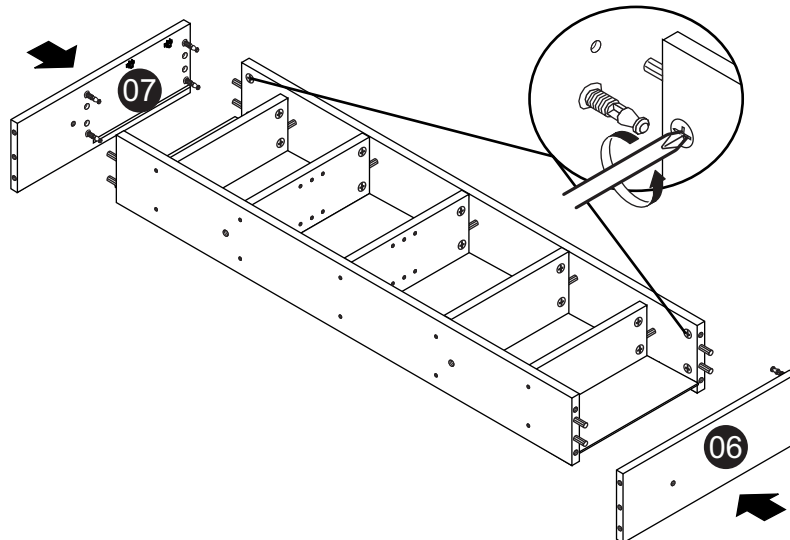
Step 54



Step 55



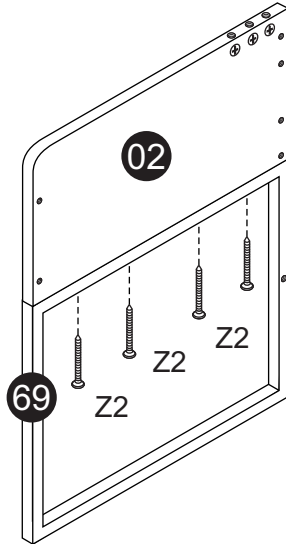
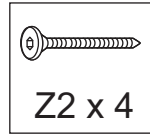
Step 56



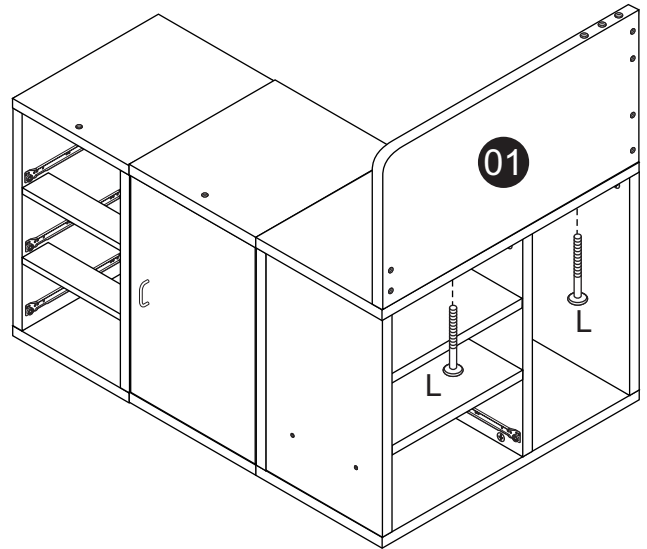
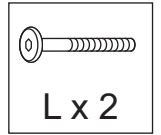
Assembly Instructions

If you have damaged or missing components,
email: aftersales@gpmfurniture.co.uk

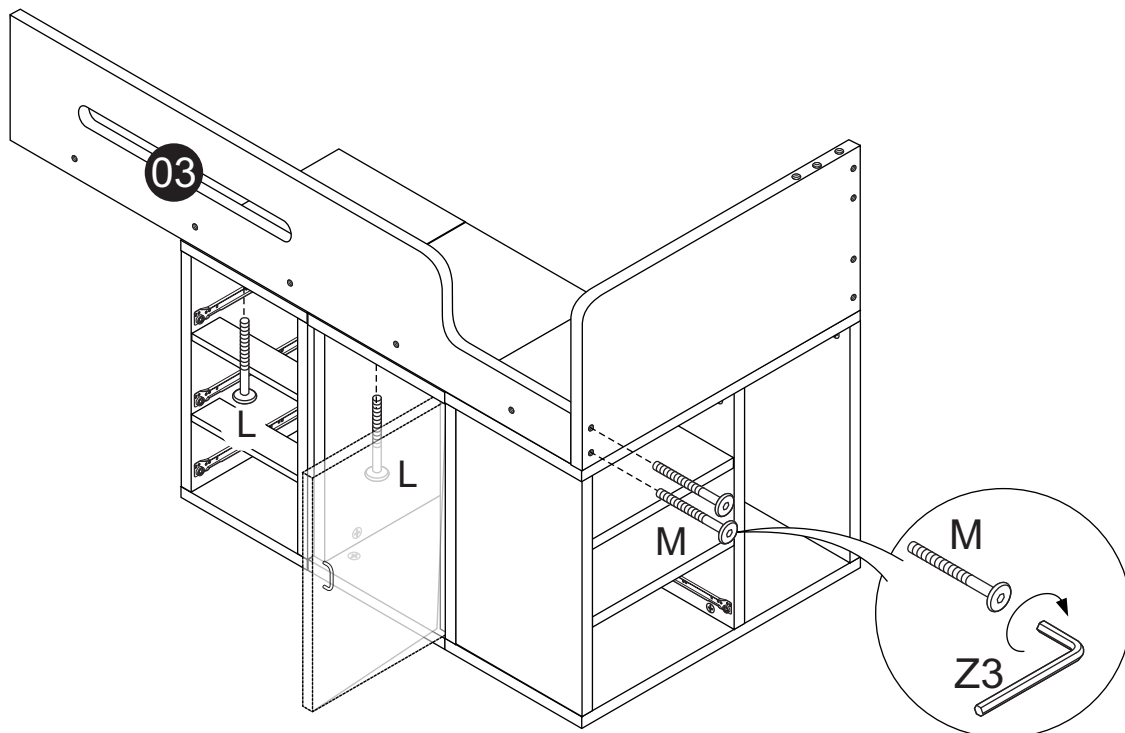
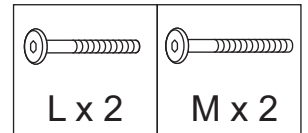
Step 59



Step 60



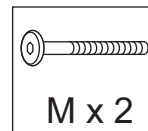
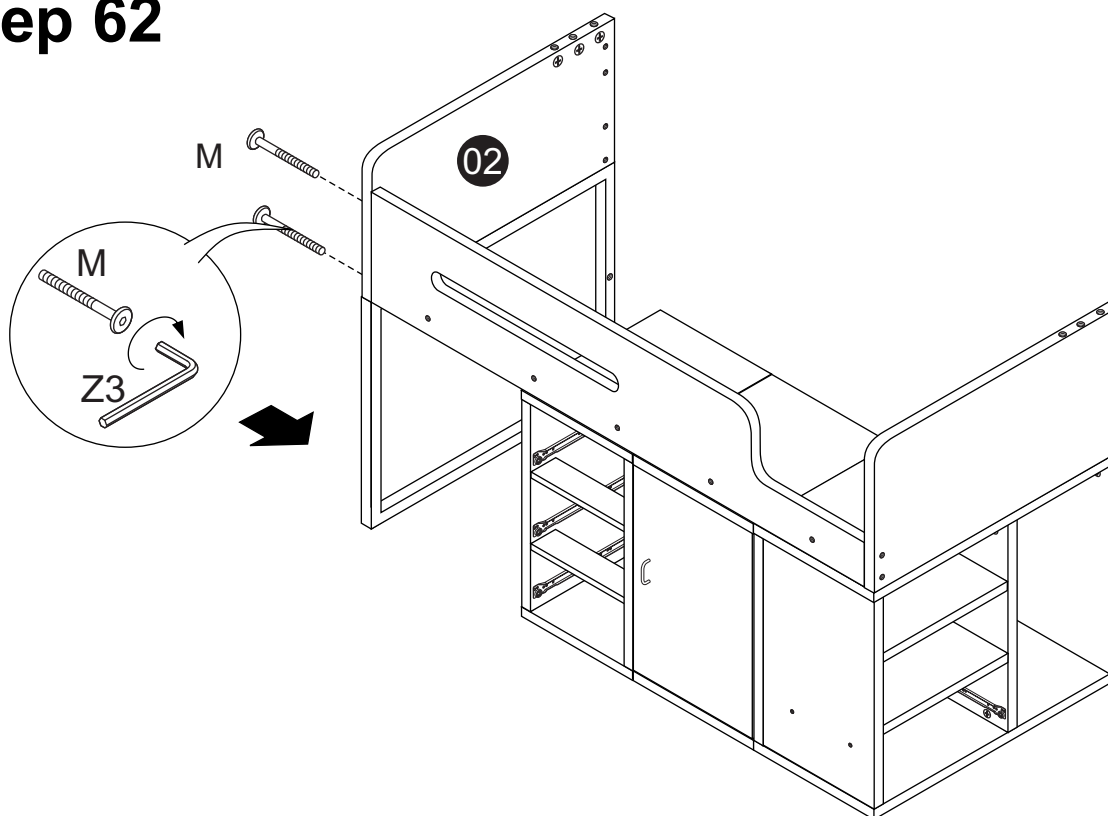
Step 61



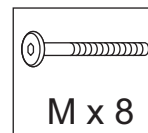
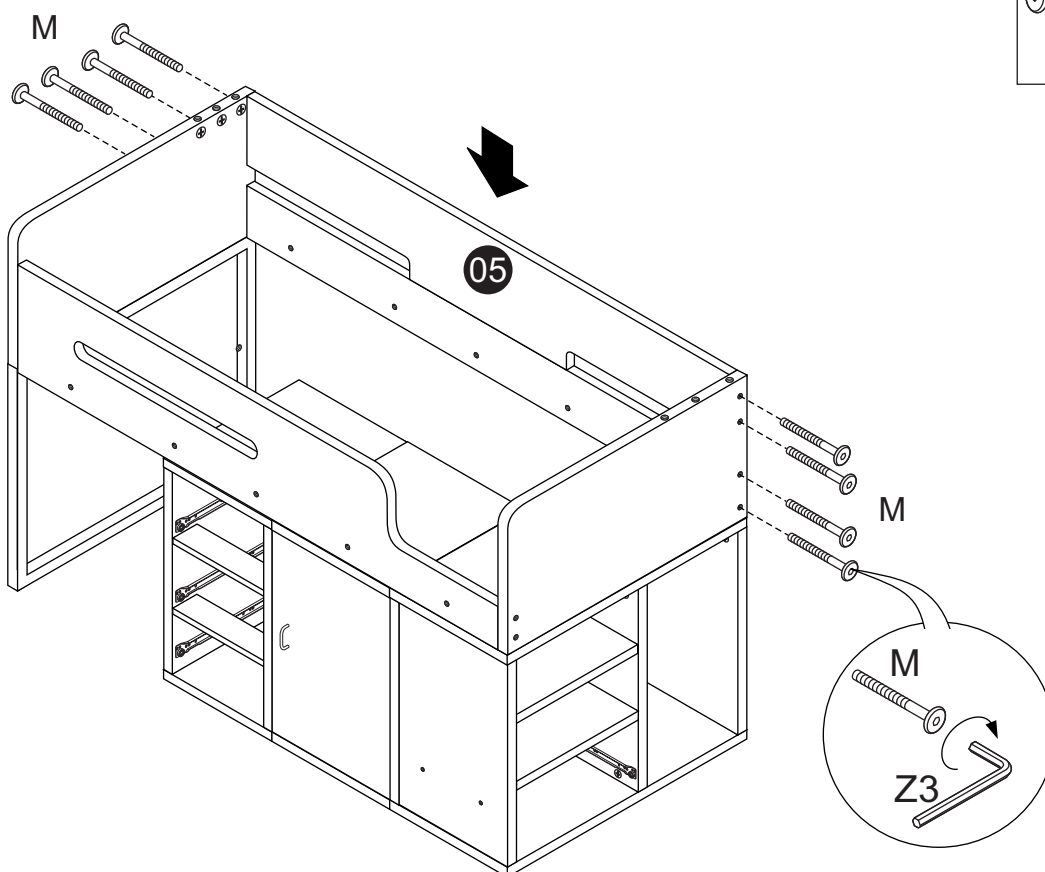
Assembly Instructions

If you have damaged or missing components,
email: aftersales@gpmfurniture.co.uk

Step 62



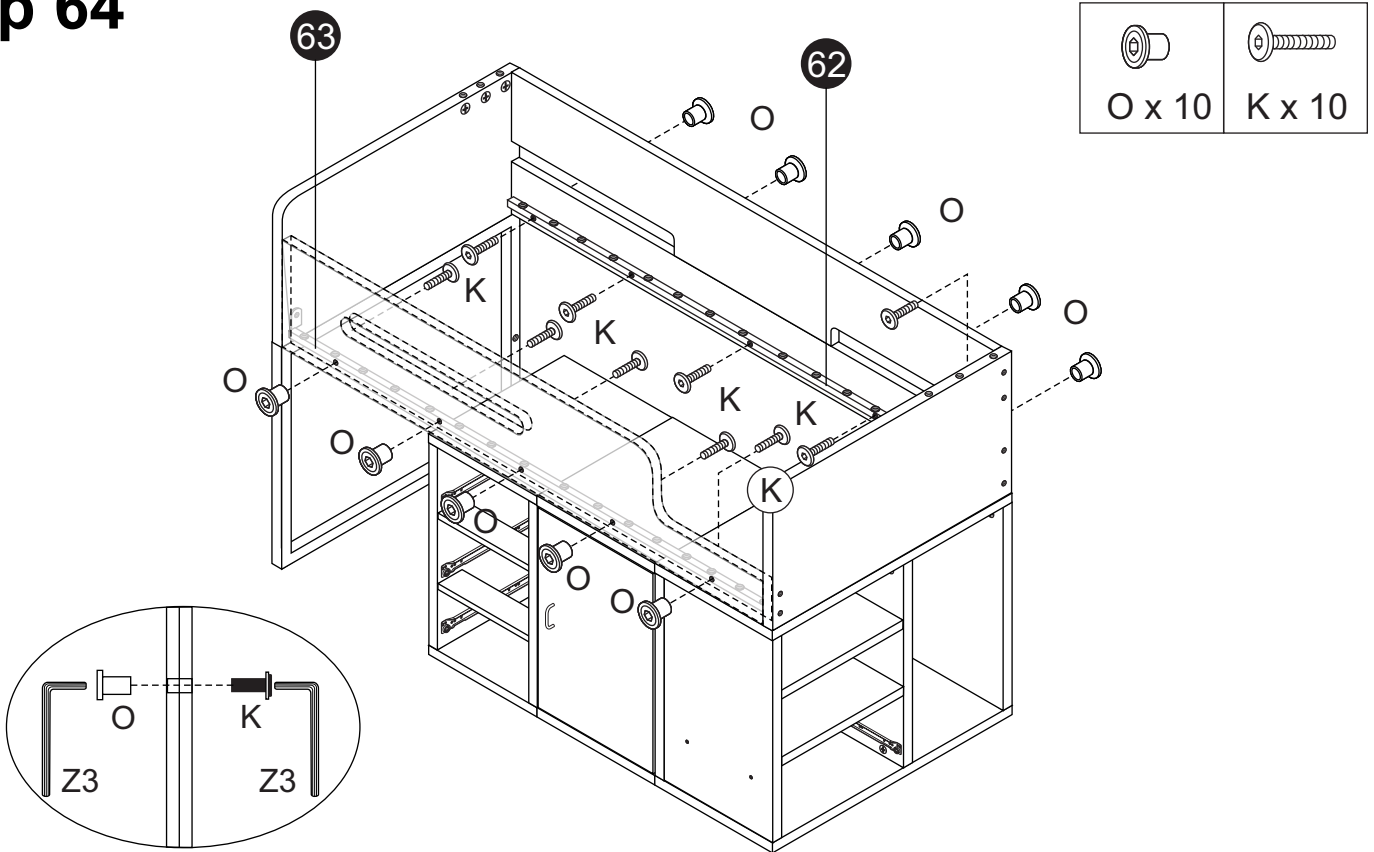
Step 63



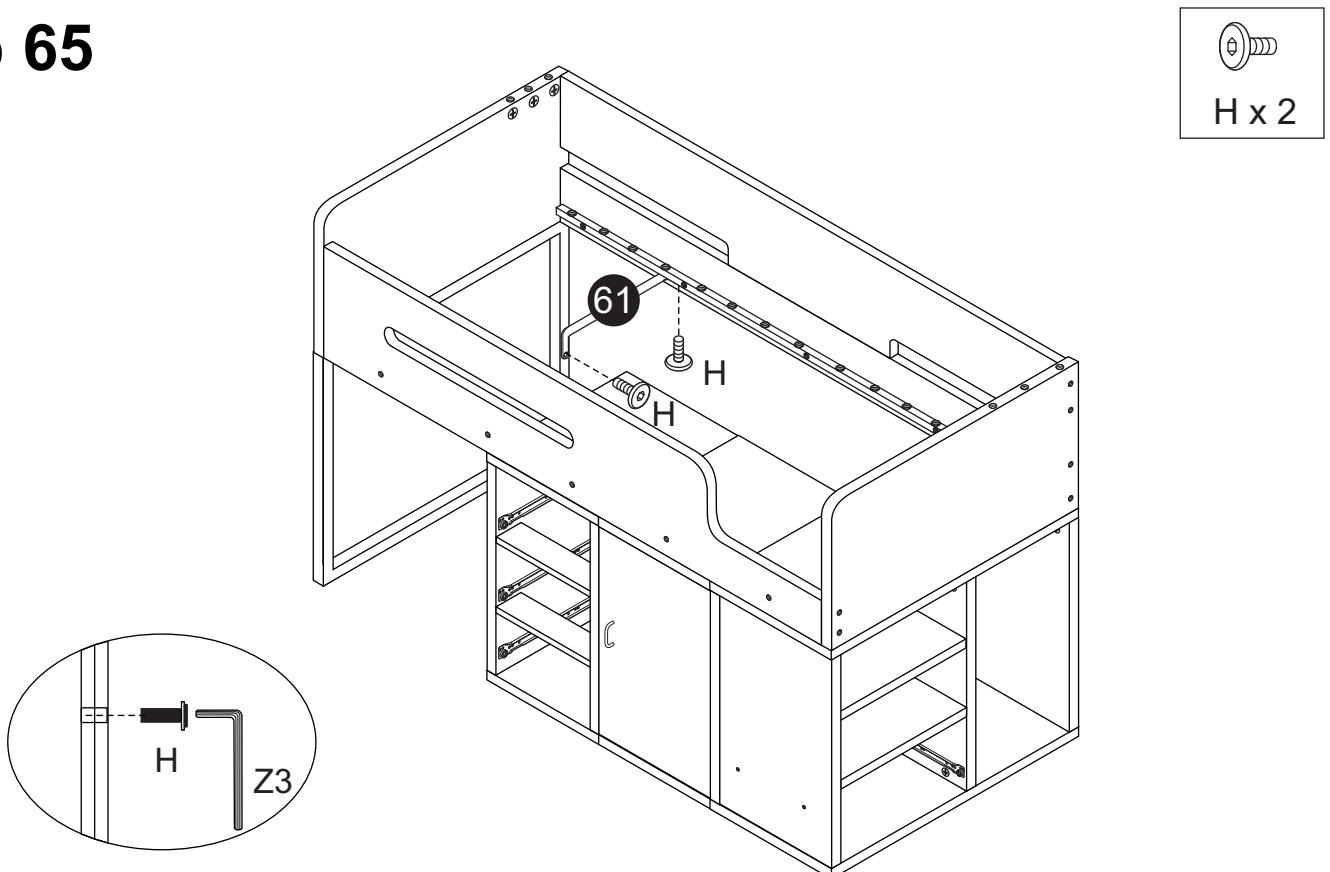
Assembly Instructions

If you have damaged or missing components,
email: aftersales@gpmfurniture.co.uk

Step 64



Step 65

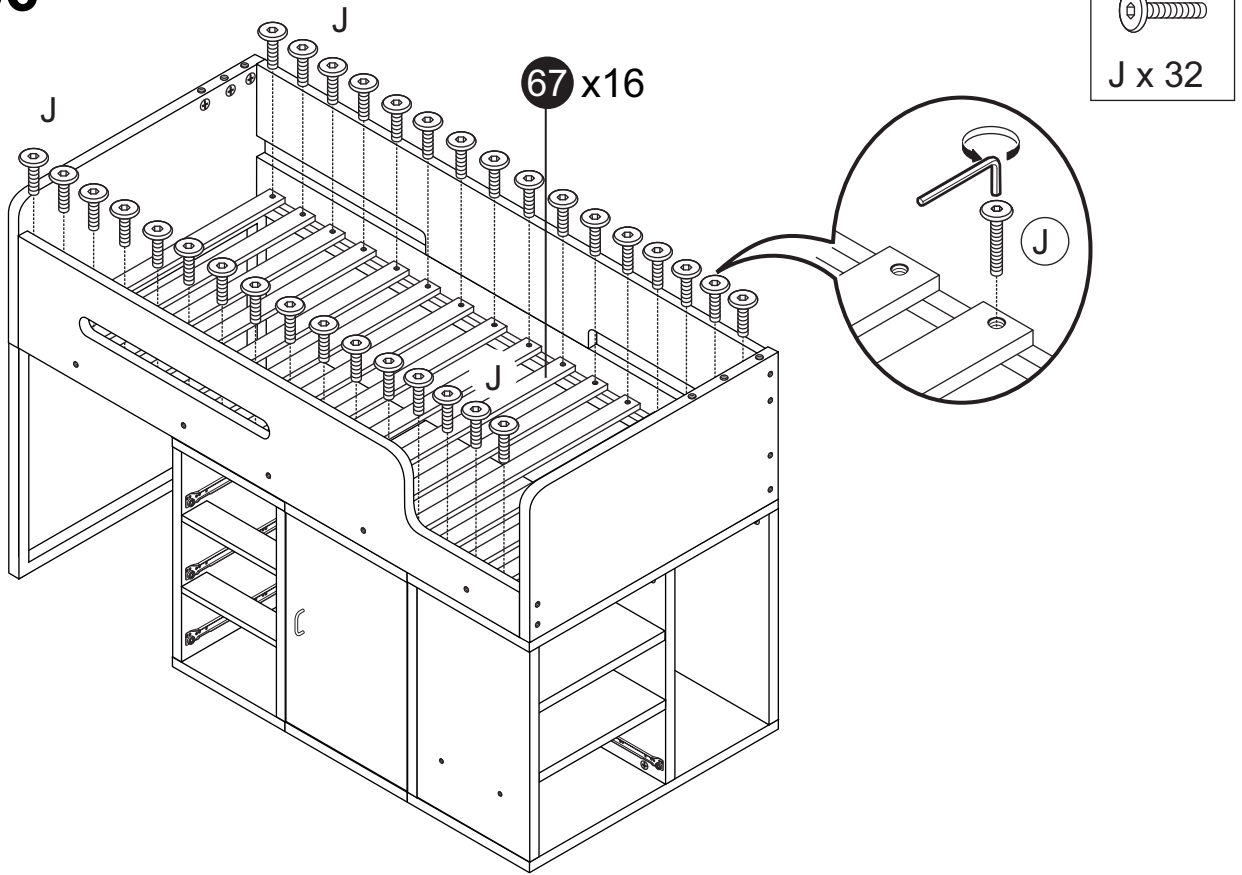


If you need help or have damaged or missing parts, please email aftersales@gpmfurniture.co.uk

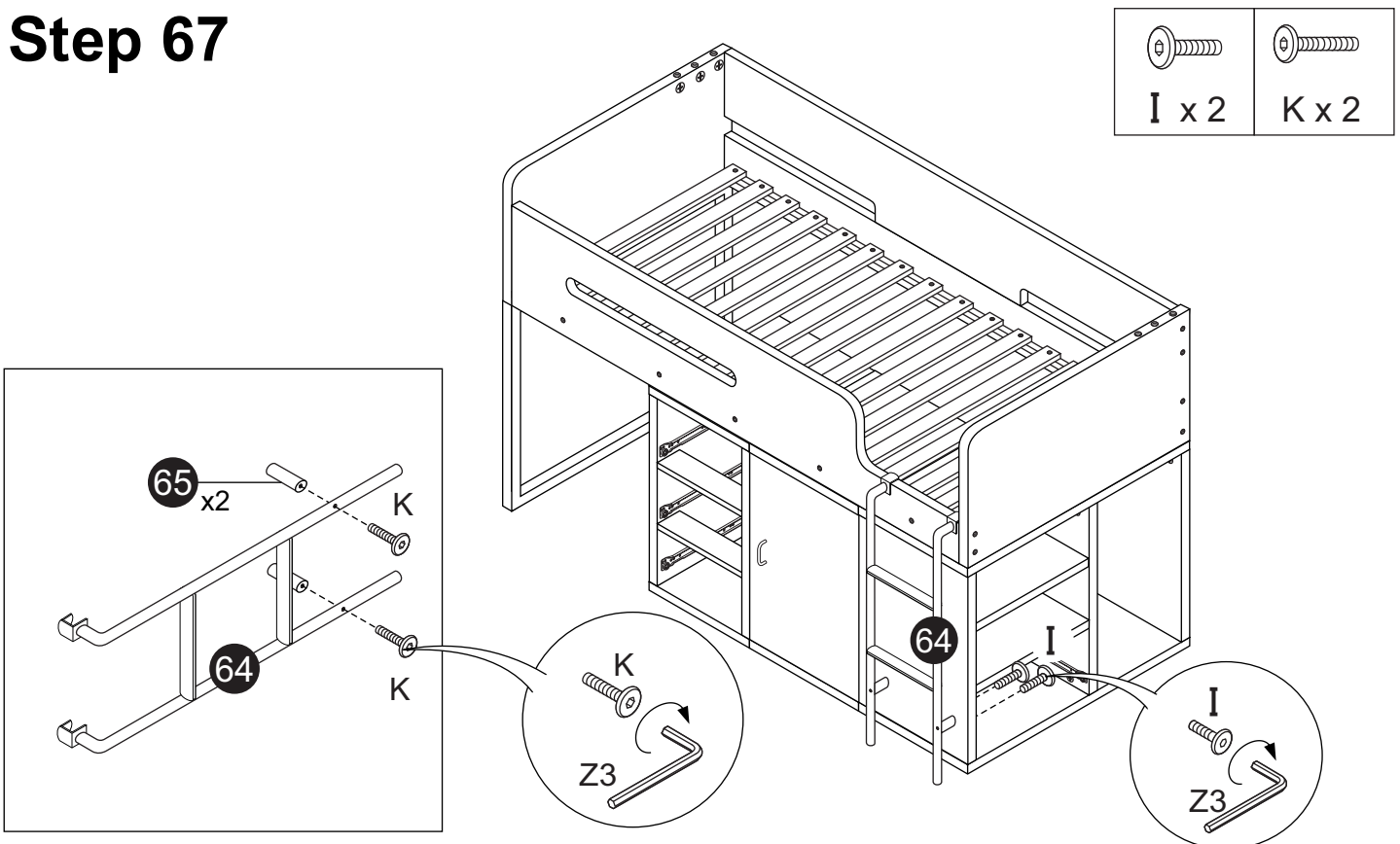
Assembly Instructions

If you have damaged or missing components, email: aftersales@gpmfurniture.co.uk

Step 66



Step 67

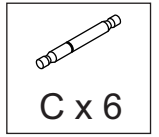
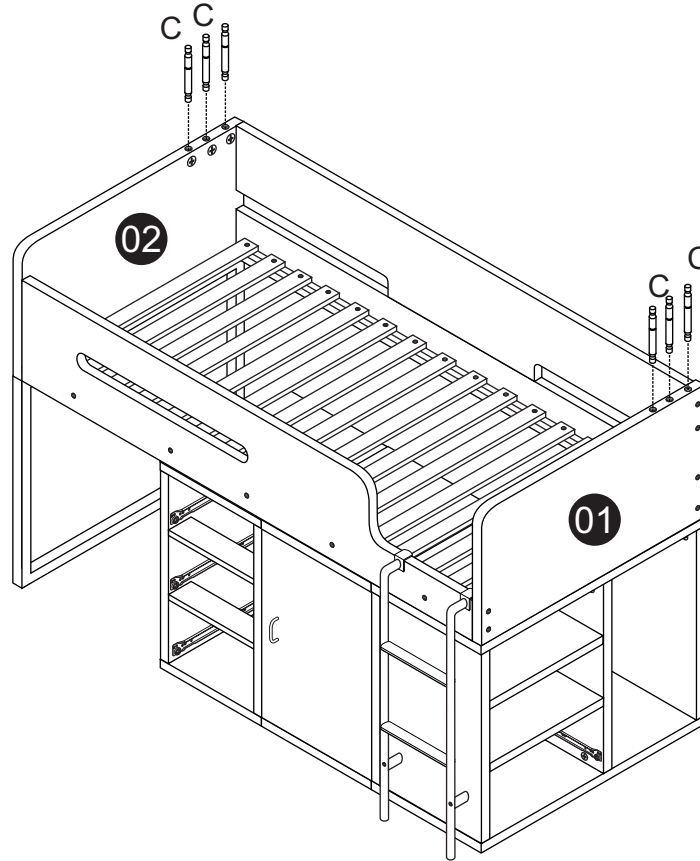


If you need help or have damaged or missing parts, please email aftersales@gpmfurniture.co.uk

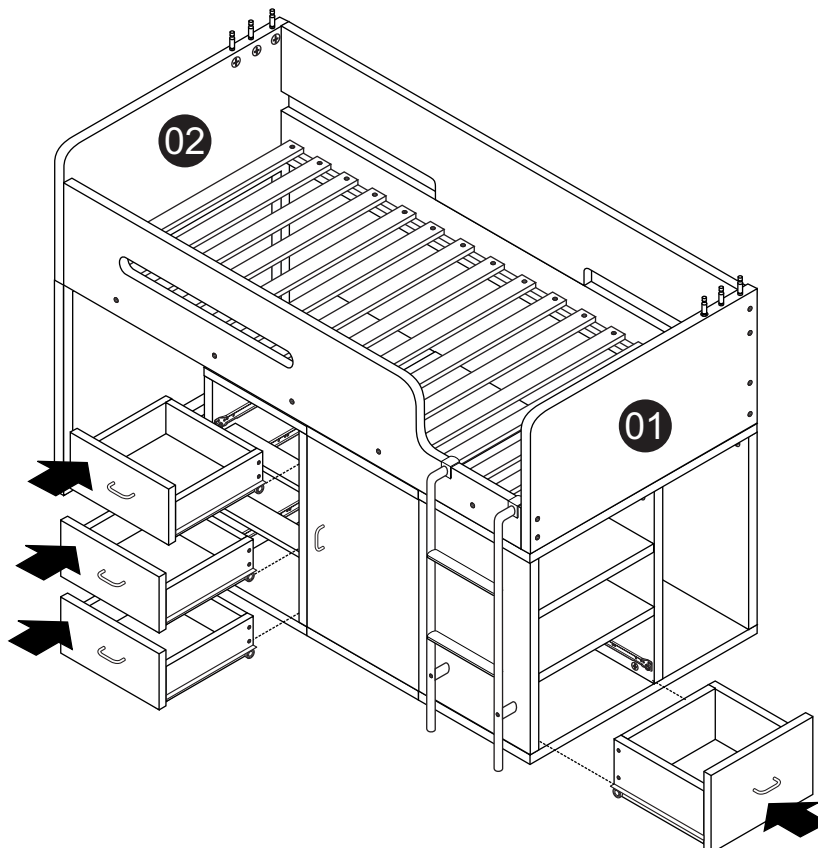
Assembly Instructions

If you have damaged or missing components,
email: aftersales@gpmfurniture.co.uk

Step 68



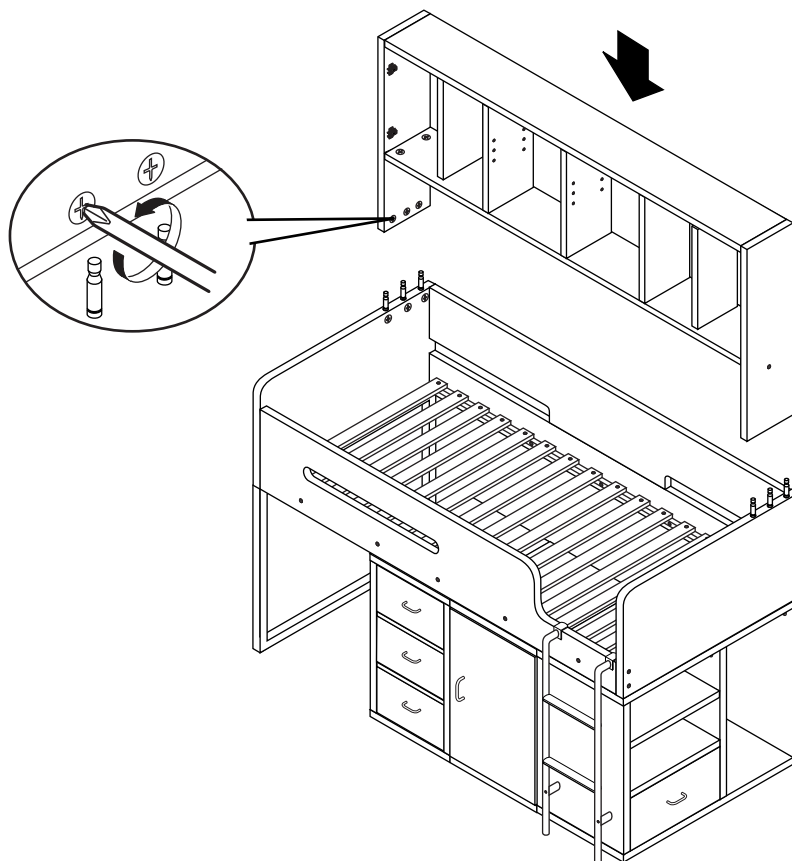
Step 69



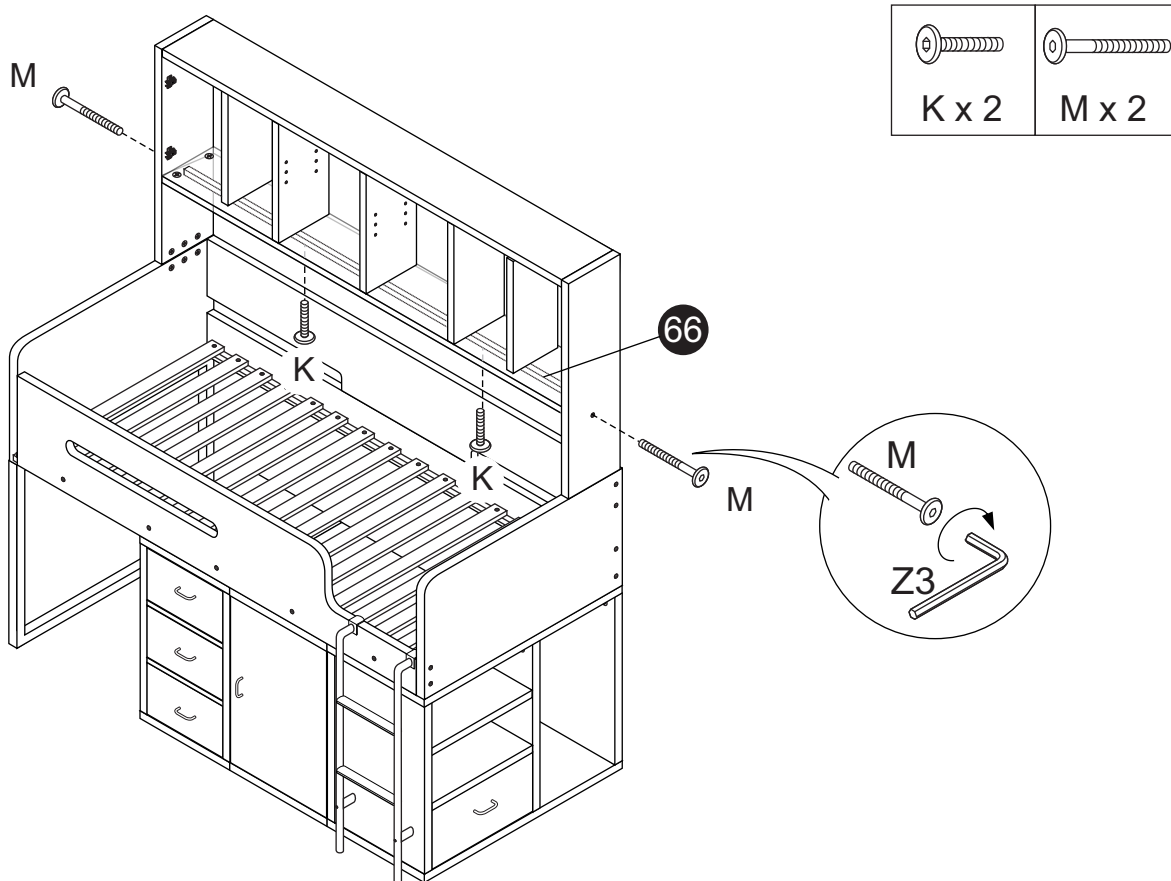
Assembly Instructions

If you have damaged or missing components,
email: aftersales@gpmfurniture.co.uk

Step 70



Step 71

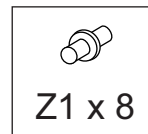
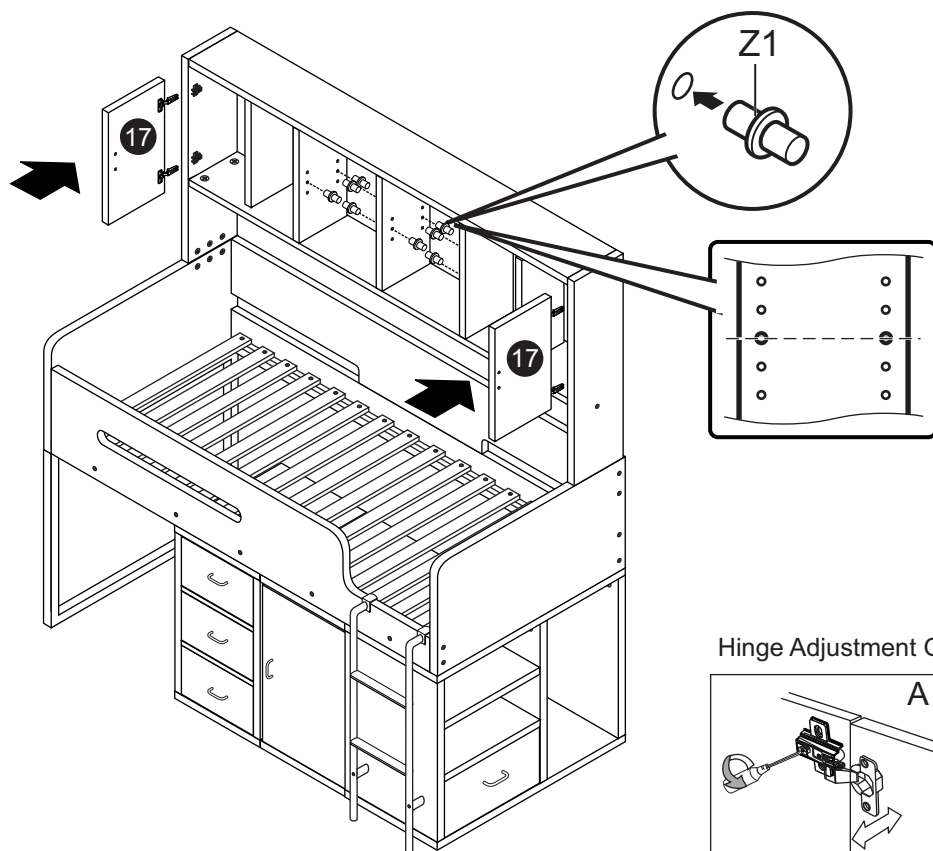


If you need help or have damaged or missing parts, please email aftersales@gpmfurniture.co.uk

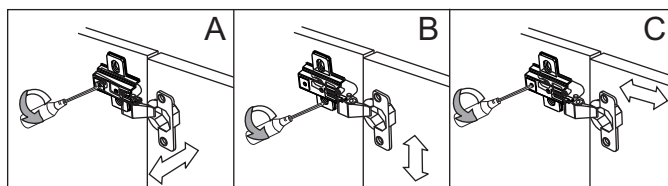
Assembly Instructions

If you have damaged or missing components, email: aftersales@gpmfurniture.co.uk

Step 72



Hinge Adjustment Guide

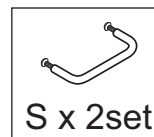
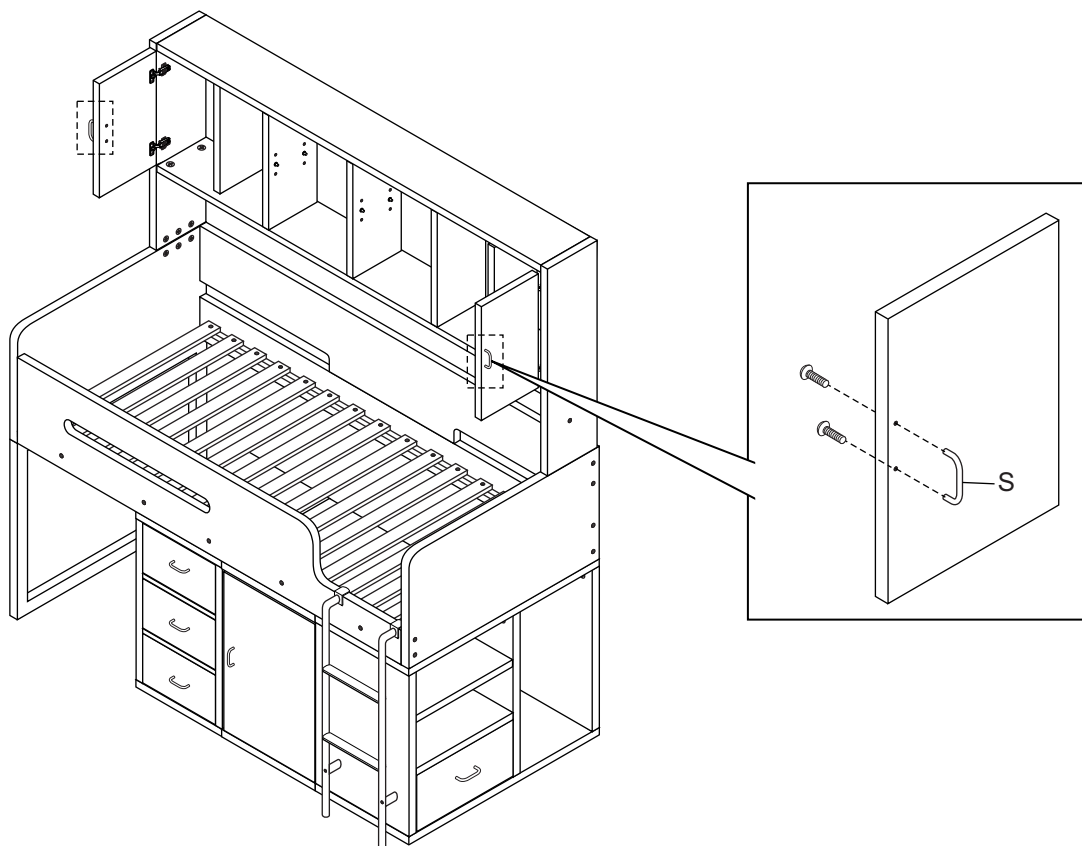


A. Lateral adjustment by screw adjusting

B. Vertical adjustment via slot in the mounting plate

C. Front-to-Back by the slacking the hinge arm mounting screw

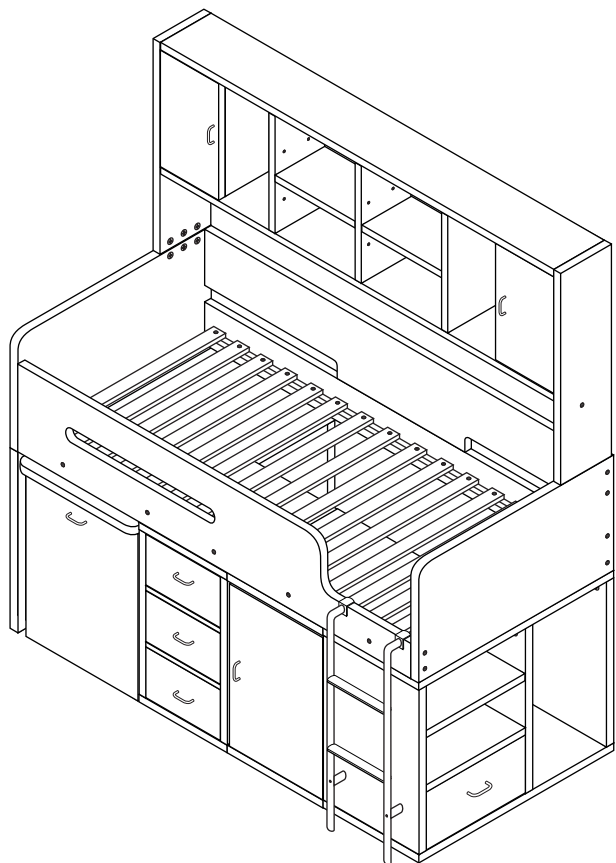
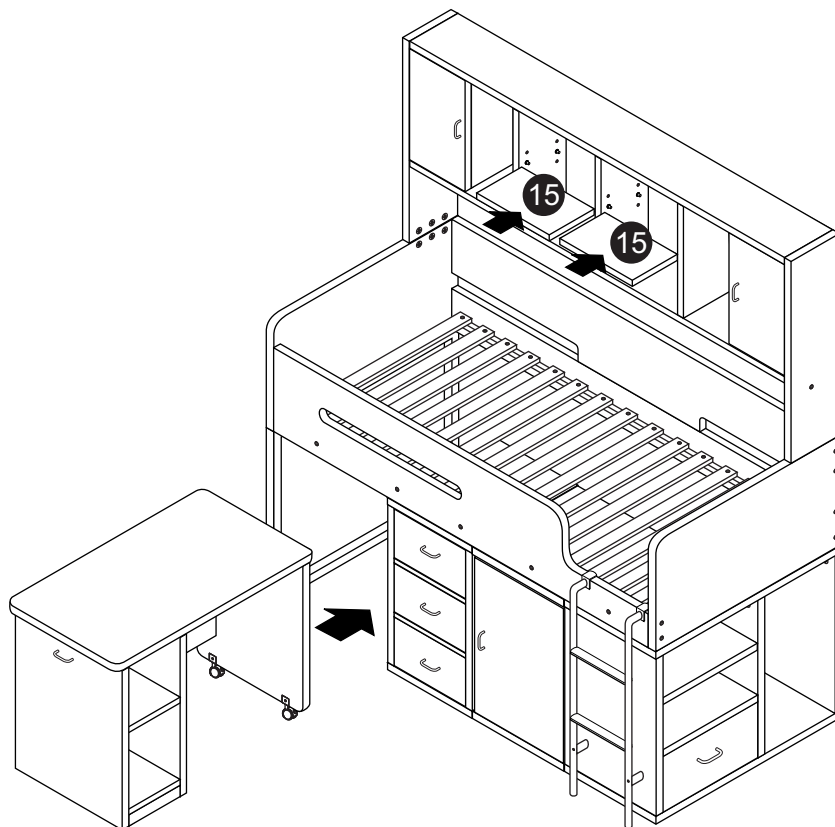
Step 73



Assembly Instructions

If you have damaged or missing components,
email: aftersales@gpmfurniture.co.uk

Step 74



Please dispose of packaging safely and responsibly.

Care & Maintenance Of Your Product

Gently wipe clean with a slightly damp cloth.
Household cleaners and abrasives can cause damage to the product.

Tighten all screws periodically to guarantee they are secure.
To move the product lift it into place. Pushing or dragging the product across a floor will cause damage to it. If the product is assembled on a hard floor, it is advised to place protection under the legs to prevent the product from moving. If these guidelines are not followed it may invalidate the warranty.

Notes

This product has been designed to be as easy to assemble as possible. In the event that you run into issues putting the bed together or have damaged / missing pieces, please contact us at: