

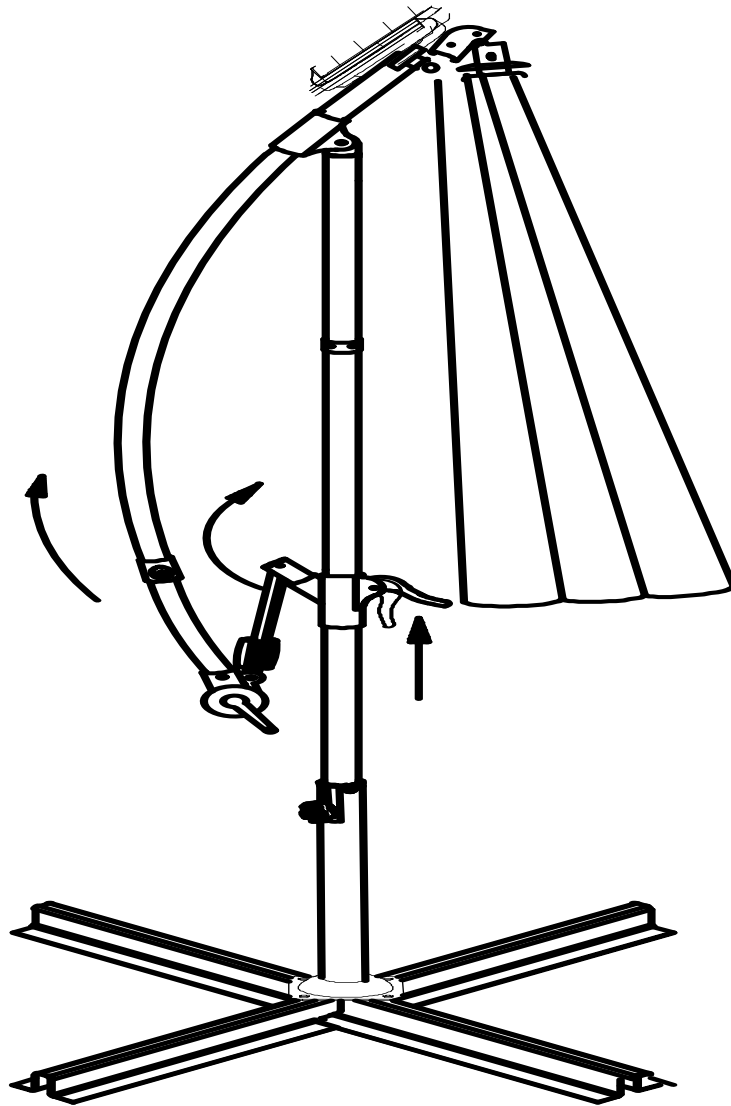
GLOBAL PROCUREMENT AND MARKETING LIMITED


PALMERA

Assembly Instructions – Please keep for future reference

Product Code

PARPAL3GY



Dimensions	No. people	Assembly Time	OW #
Width: 300cm Depth: 300cm Height: 245cm		10 mins (approx.)	00000 / 00000 00000 / 00000

thank you

For purchasing this

GPM Limited

product

Important

- PLEASE READ THESE INSTRUCTIONS FULLY BEFORE STARTING ASSEMBLY
- PLEASE DO NOT THROW THE PACKAGING AWAY UNTIL YOU ARE SATISFIED WITH PURCHASE, GOODS NEED TO BE RETURNED IN ORIGINAL PACKAGING.

If you need help or have damaged or missing parts, please email aftersales@gpmfurniture.co.uk

Safety and Care Advice

Important

- PLEASE READ THESE INSTRUCTIONS FULLY BEFORE STARTING ASSEMBLY
- PLEASE DO NOT THROW THE PACKAGING AWAY UNTIL YOU ARE SATISFIED WITH PURCHASE, GOODS NEED TO BE RETURNED IN ORIGINAL PACKAGING.

- Check you have all the components and tools listed on pages 3.
- Remove all fittings from the plastic bags and separate them into their groups.
- Keep children and animals away from the work area, small parts could choke if swallowed.

- Make sure you have enough space to lay out the parts before starting.
- Do not stand or put weight on the product, this could cause damage.
- Assemble the item as close to its final position (in the same room) as possible.
- Assemble on a soft, level surface to avoid damaging the unit or your floor.



- We do not recommend the use of power drill/drivers for inserting screws, as this could damage the unit. Only use hand screwdrivers.
- Dispose of all packaging carefully and responsibly.

Warnings

CHILD SAFETY



ANCHOR AND PROTECT A CHILD Use of anti-tip kit is required

- Place heaviest items in the lowest drawers.
- Useless specifically designed to accommodate, do not set TVs or other heavy objects on top of this product.
- Never allow children to climb or hang on drawers, doors or shelves.
- Never open more than one drawer at a time.
- Do not defeat or remove the drawer interlock system.
- Use of tip-over restraints may only reduce, but not eliminate, the risk of tip-over.

CLIMBING MAY RESULT IN SERIOUS INJURY

Care and Maintenance

- Only clean using a damp cloth and mild detergent, do not use bleach or abrasive cleaners.
- From time to time check that there are no loose screws on this unit.
- This product should not be discarded with household waste. Take to your local authority waste disposal centre.

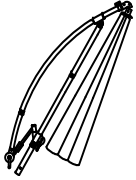
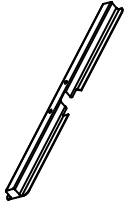
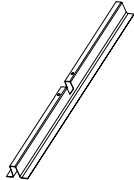
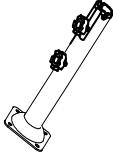
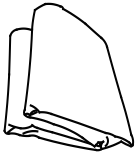

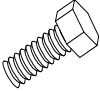





If kept outside please ensure in the winter months that the product is correctly covered or put away into a dry environment to prevent corrosion, weathering or damage.

If your product is not designed to be outside, we recommend that it is always kept indoors in a dry environment.

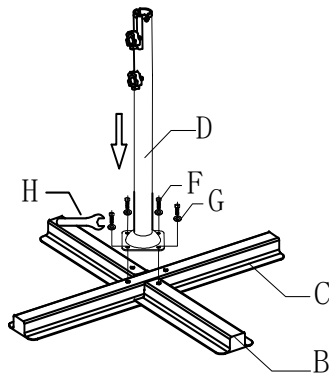
**If you are unhappy with the product and wish to return it,
please follow the retailer's returns procedure.**

ASSEMBEL MANUAL

PARTS LIST

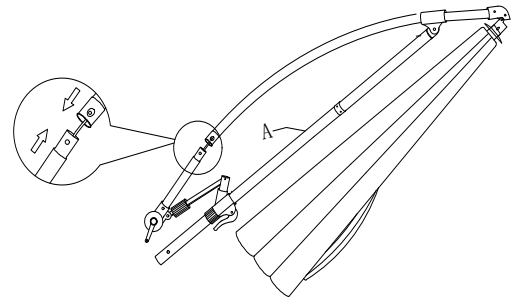
					
A 4	B 4	C 1	D 1	E 1	N 1
					
F 4	G 4	H 1	J 1	K 1	L 2

step 1



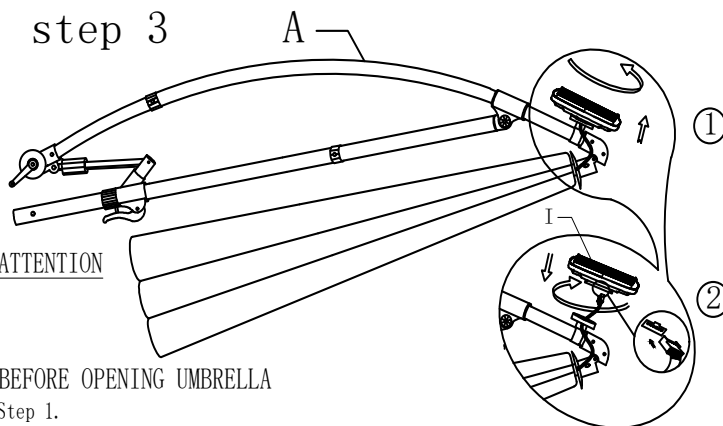
Set one base leg over the other so the slots interlock, align the holes in the mounting tube D plate with the holes in the base legs. Thread bolt into each hole and tighten securely with wrench

step 2



Connected the bend pole, insert the tube until the spring buttons click into place

step 3



ATTENTION

BEFORE OPENING UMBRELLA

Step 1.

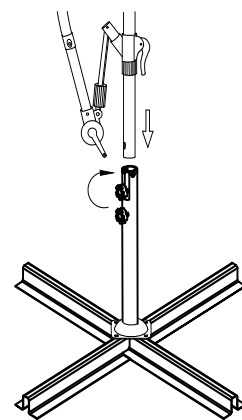
Insert the plug into the socket under the solar panel.

Step 2

Put the solar panel on the top of umbrella and hide the plug and wire inside the groove at the top of umbrella. Then turn the solar panel clockwise.

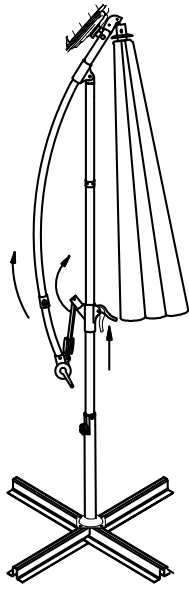
Do not over tighten. Please remove the plastic film on the solar panel. This protective plastic film is to prevent damage during shipment

step 4



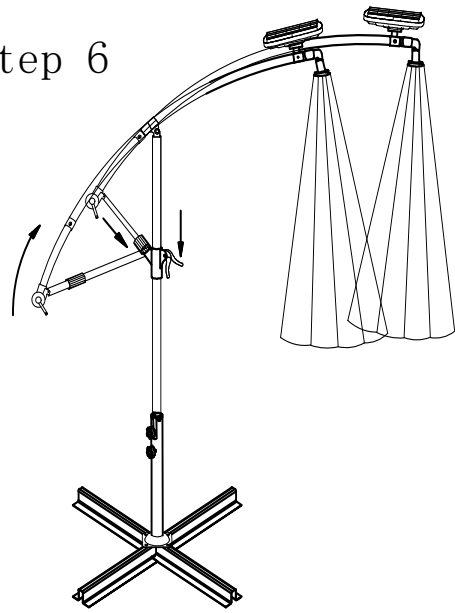
Carefully set the pole of the umbrella assembly into the mounting tube, make sure the spring buttons click into right place.

step 5



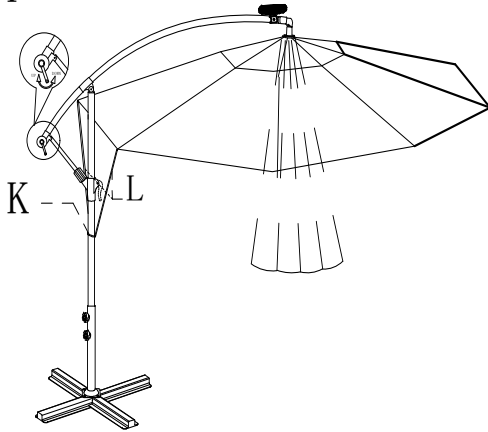
Slide the canopy support pole and locking level assembly upward until they meet the plastic stoppers.

step 6



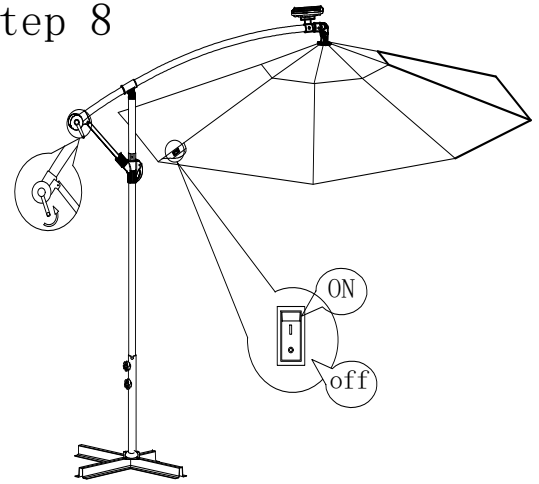
Slide the sleeve over the post and clamp the locking lever down firmly. Use care to avoid pinching, always loosen the locking lever and slide the sleeve off the post before moving or adjusting the support pole.

step 7



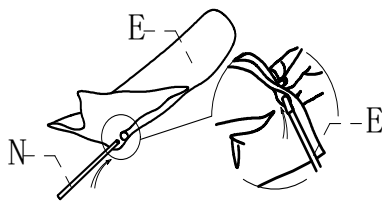
Turn the crank clockwise to open umbrella, Then fasten the band onto the pole to make more stable. Do not over-crank the canopy or damage may occur.

step 8



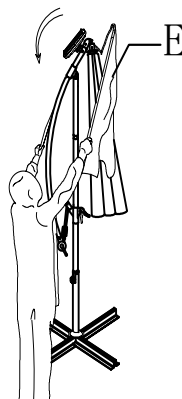
Turn the crank to anticlockwise to close umbrella canopy, close the canopy before lowering the canopy support bar.

step 9



Thread the fiberglass bone through the umbrella cover hole

step 10



Put on the umbrella cover when not in use to avoid fading of the umbrella surface.

step 11



After putting on the umbrella cover, zip it up

WARNINGS AND CAUTIONS

WARNING: This umbrella is designed for easy operation, sunshade and decorative purposes only. It is NOT recommended that this umbrella be used during periods of high wind and rain. Always take the umbrella down during high or gusting wind and rain, when not in use and in the off-season. Failure to do so may result in personal injury and/or property damage.

Please keep children away from umbrella during assembly to avoid injury.

WARNING: If the crank becomes too hard to crank, check to see if the rope has come off the pulley. If you continue to turn the crank, the rope or crank handle could break.