

Works with

Works with
SmartThingsWorks with
Hubitat
ELEVATE YOUR ENVIRONMENTWorks with
amazon echo

This dimmer is a Zigbee rotary dimmer switch for dimmable LED lamps.

The minimum brightness setting of the dimmer can be adjusted to achieve the optimum dimming range for a particular load, as detailed in the Minimum Brightness Setting section.



C202



C202N

Specifications

Input Voltage	220V-240V ~ 50Hz
Power Load	10-250VA LED 10-250W Halogen
Minimum Load per lamp	5W
Dimmer Mode	Trailing Edge
Control Method	Smart control / multi-way switching



Do not dispose of with household waste



Do not expose the product to moisture or liquids



Do not attempt to open the product to examine or repair.



This product is designed for indoor use only.

Features

- Zigbee AC phase cut dimmer based on latest Zigbee 3.0 protocol
- 220V-240V AC Input and Output Voltage
- Supports resistive loads and capacitive loads
- Trailing edge control
- Enables ON/OFF control and dimming of connected triac dimmable led lights or led drivers
- Zigbee end device that supports Touchlink commissioning
- Can directly pair to a compatible Zigbee remote via Touchlink without coordinator
- Supports self-forming Zigbee network without coordinator and add other devices to the network
- Supports find and bind mode to bind a Zigbee remote
- No neutral required
- Radio Frequency: 2.4GHz
- Waterproof grade: IP20

Safety Warnings and notes

- Turn Off Mains Power before installing the device
- Certain light sources may not behave according to the power rating when used with a dimmer. An overload will result in the safety features switching the dimmer off. We recommend only using this dimmer within the suggested load, and with high quality dimmable bulbs.
- Please ensure that your bulbs or lamps are minimum 5W and the total load is minimum 10W. Results may vary with low quality bulbs or lamps, and with a low power load you may need to fit a bypass on the first lamp in the circuit.

Please read all of the instructions prior to installation

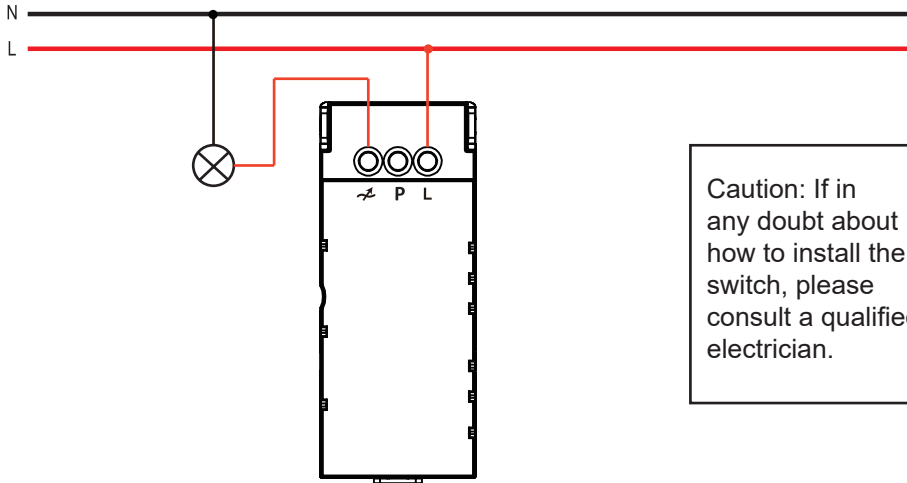
Installation

1. Turn off the power.

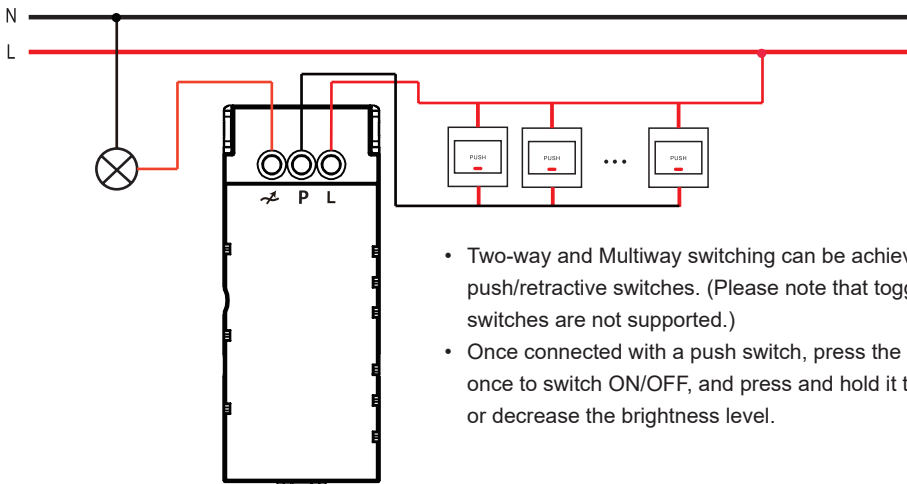
- To avoid electrical shock and/or equipment damage, disconnect electrical power at the main fuse or circuit breaker before installation and maintenance.
- Be aware that even if the circuit breaker is off, some voltage may remain in the wires — before proceeding with the installation, be sure no voltage is present in the wiring.

2. Connect the device according to the diagrams shown below for either a 1-way or 2-way/multiway system.

One-way system



Two-way / multiway system



3. After successfully wiring the switch, turn the power back on.

Zigbee configuration

1. Factory Reset the switch.
 - i. Turn on the light, press the knob 5 times with a long press on the fifth time (3 seconds).
 - ii. Once reset successfully, the lamp will blink 5 times.

Note: All configuration parameters will be reset after the device is reset or removed from the network.

2. Initiaite pairing mode to pair to a Zigbee hub or bridge such as Smarththings or Philips Hue. (Adding to your Zigbee Network)
 - i. From your smart home controller app, choose to add a lighting device and enter Pairing Mode as instructed by the app or Hub's documentation, or scan for a new device.
 - ii. Turn on your lamp, then double press the knob, with a long press on the second time.
 - iii. The light will blink twice to indicate it is in network pairing mode, which will last for 15 minutes. If your connection attempt times out, repeat this step if necessary.
 - iv. When successfully paired the light will blink once, and then stay continuously on. The device can now be controlled through your controller or hub interface.

Setting the Minimum Brightness

1. Turn on the light, then press the knob 3 times. The light will blink twice showing that the device is in configuration mode.
2. Adjust the minimum brightness to the level you are satisfied with, then press the knob once to save it.

Troubleshooting

If your lights will not turn completely off, or they are flickering at low levels:

Diagnosing this issue can be complicated and often dependent on many variables that are unique to the wiring in your house.

However, the most common cause is due to either the total load of the lights being too low, or the wattage of one particular bulb being too low. Please ensure that each lamp is minimum 5W although 10W+ will give better results. Please also ensure that the total load is minimum 10W.

If the problem persists, please try increasing the minimum brightness setting of the switch by following the steps above.

If increasing the minimum brightness did not solve the problem, we suggest either increasing the load on the circuit by using higher power lamps, or by fitting an LED bypass over the first lamp in the circuit.

Advanced Zigbee configuration

1. TouchLink to a Zigbee Remote

- i. Turn on the light, press the knob 3 times with a long press on the third time (3 seconds).
- ii. The light will blink 3 times and then stay continuously on to show that the device is in TouchLink commissioning mode. This times out after 3 minutes, after which repeat this step if necessary.
- iii. Bring the remote or touch panel within 10cm of the switch.
- iv. Set the remote or touch panel into TouchLink commissioning mode, by following the instructions in the corresponding remote or touch panel manual.
- v. Once connected, the light will blink 10 times, and you can control your lights remotely.

Notes:

- Using directly via Touchlink (with neither device added to a Zigbee network), each device can link with 1 remote.
- Using Touchlink when both devices are added to a Zigbee network, each device can link with max. 30 remotes.
- After Touchlink pairing, the device can be controlled by the linked remotes.

2. Find and Bind Mode

Note: Make sure the device and remote are already added to the same Zigbee network.

- i. Turn on the light, press the knob 4 times with a long press on the fourth time (3 seconds).
- ii. The light will blink 4 times and then stay continuously on to show that the device is in Find and Bind Mode. This times out after 3 minutes, after which repeat this step if necessary.
- iii. Set the remote or touch panel (target node) into find and bind mode, and enable it to find and bind initiator. Please refer to the corresponding remote or touch panel manual.
- iv. There should now be an indication on the remote or touch panel that it has binded to the device successfully and can now control it.



For further support please go to www.candeo.io

Instructions version: 2304.3