

Thank you for choosing Realm of Thrones!

We hope that you are happy with our product.

Register with us to activate your comprehensive

5-year warranty and get **CASHBACK** rewards!

(£10/€10/\$10 for UK/EU/US markets respectively.)

Please send '**CASHBACK**' & **Order ID** to

captain@realmofthrones.com

WARNING

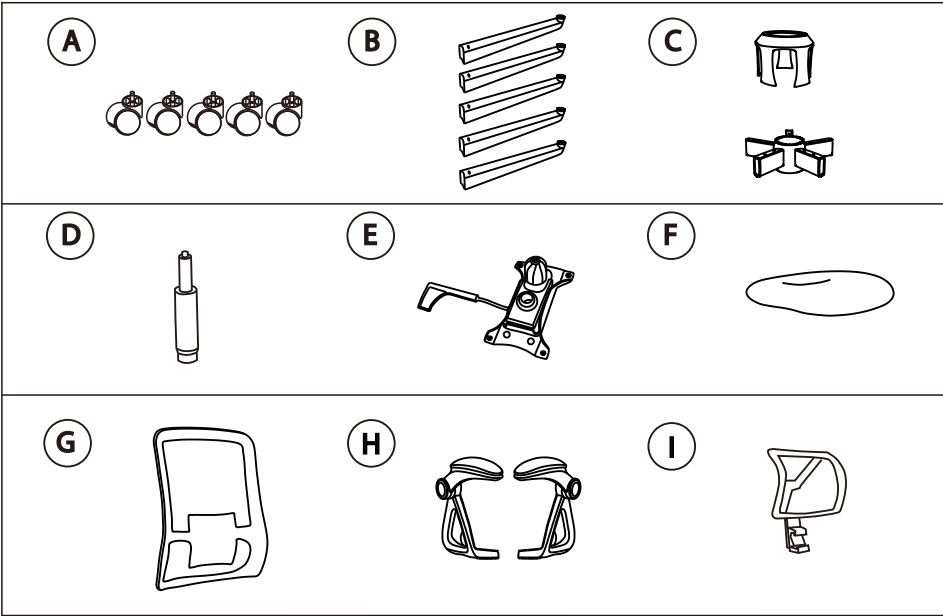
1. This product is designed for seating only. Do not stand on this product. Do not use it as a step ladder.
2. Do not use this product unless all bolts and parts are firmly tightened. Check all parts for safety every three months.
3. If any part is missing, damaged or worn, stop using this product. Repair with manufacturer's parts. Contact us through email above.
4. Do not sit on the armrests of this product.
5. This product is designed for seating of one person at any time.
6. Adult supervision is strongly advised when used by children under the age of 10.
7. Failure to follow these instructions may result in serious injuries.

CAPTAIN by REALM OF THRONES

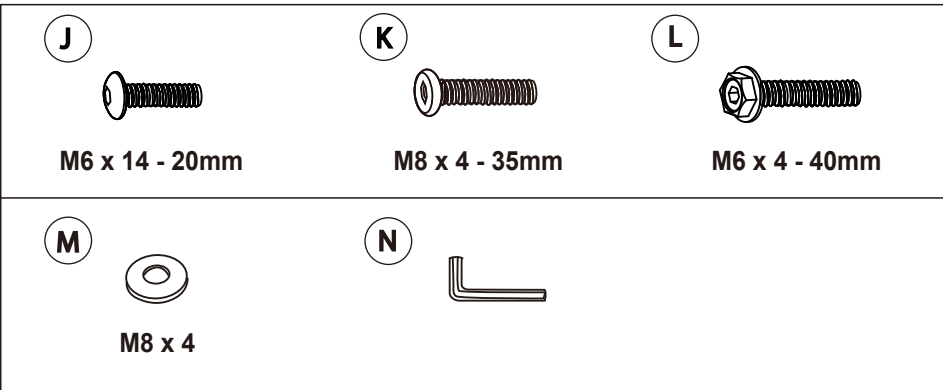


www.realmofthrones.com

COMPONENTS



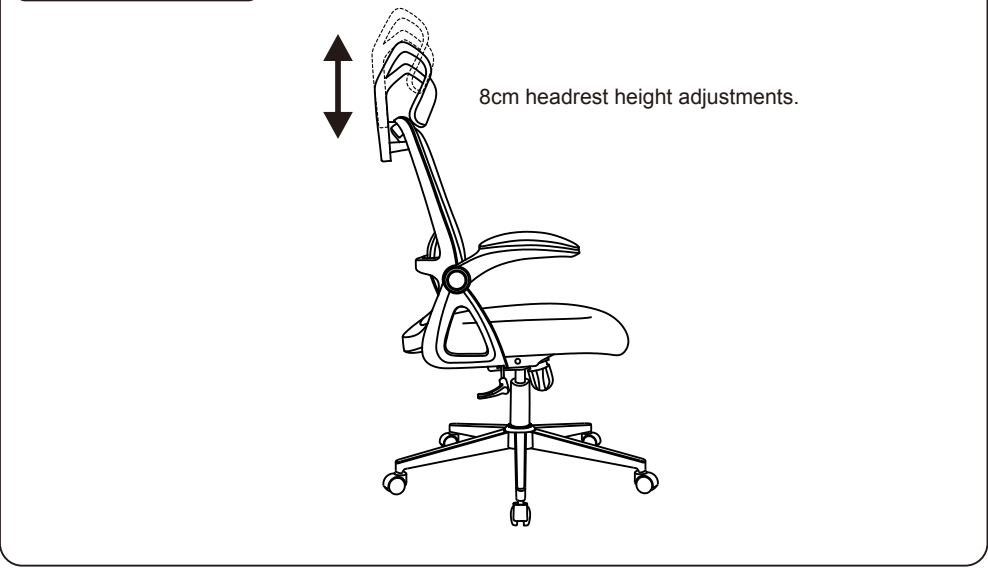
HARDWARE/TOOLS



Function 4



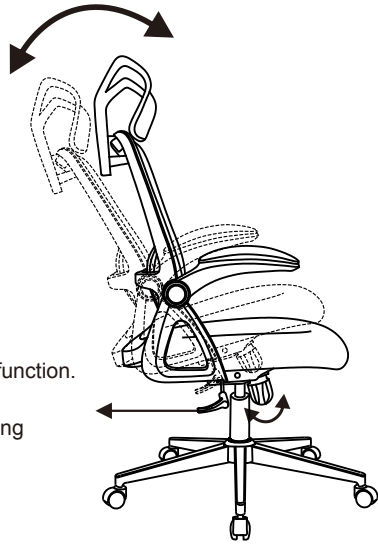
Function 5



Function 2

Pull handle outwards to unlock tilt function.

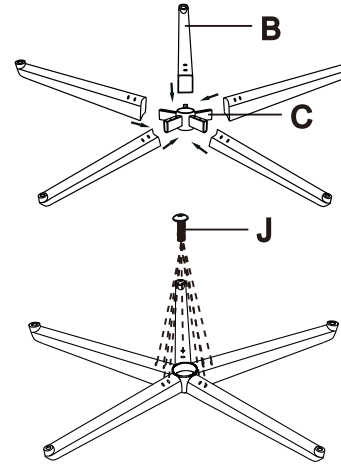
Push handle inwards to lock reclining position at 97°, 106° and 115°.



Turn knob left-right for tilt-tension adjustments.

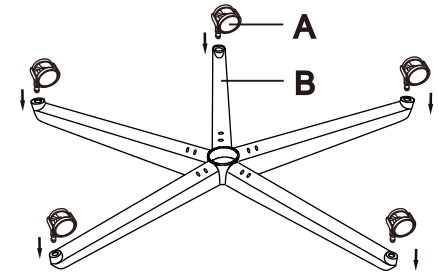
Step 1

Plug five legs 'B' into centre base 'C', and secure them with screws 'J' (20mm)

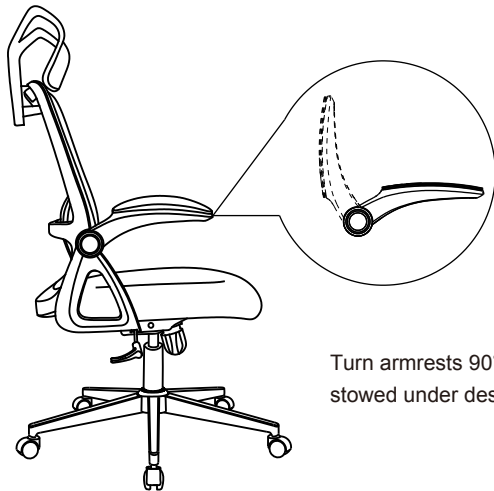


Step 2

Insert five wheels 'A' onto the bottom of base foot 'B'.



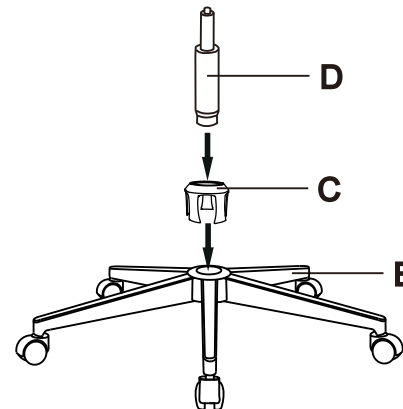
Function 3



Turn armrests 90° upwards when stowed under desk.

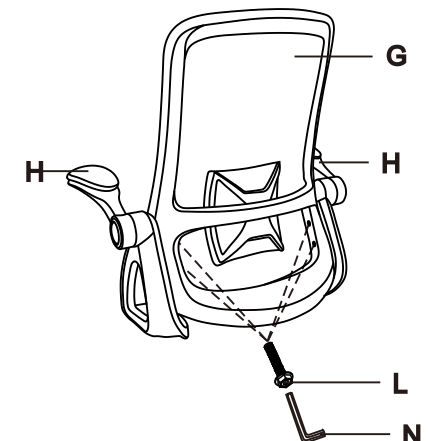
Step 3

Insert gas cylinder 'D' into the top centre of the assembled base 'B' and cover trim 'C'.



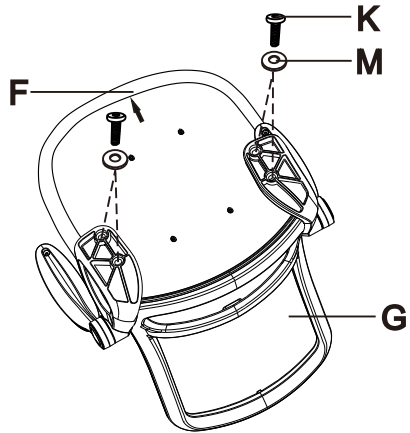
Step 4

Attach armrests 'H' onto the left and right of the backrest 'G', and secure them with screws 'L' (40mm).



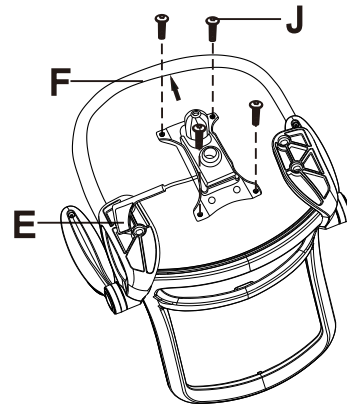
Step 5

Attach seat pad 'F' onto backrest & armrests 'G' with screws 'K' (35mm) and washers 'M'.



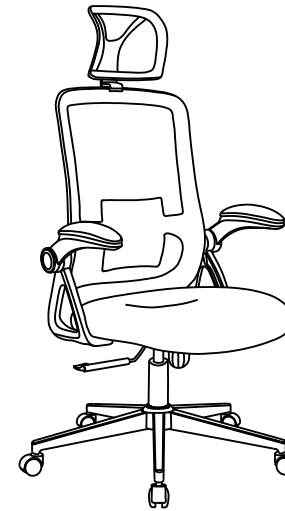
Step 6

Attach reclining mechanism 'E' onto seat pad 'F' with screws 'J' (20mm).



Step 9

'CAPTAIN' is Ready!



Return and Refund:

In the unlikely event that you need to return your order for a refund, please dismantle the chair and put the parts back into the original packaging. We would appreciate it very much if the chair can be returned in its original condition.

Taking apart the gas cylinder from the chassis mechanism and the foot base would preferably require a hammer with non-metal/rubber head. You may also use a metal hammer or a wrench. Please make sure that a thick soft cloth is placed between the contact points so that the metal hammer or wrench would not cause damages to the chassis mechanism, the foot base, or the gas cylinder. Techniques for dismantling the gas cylinder are shown in the following videos:

www.youtube.com/watch?v=PRq_U6k_gzo
www.youtube.com/watch?v=63U6gBgXJcK
www.youtube.com/watch?v=AKllsKKz6RA
www.youtube.com/watch?v=kpsuli2L_E
www.youtube.com/watch?v=GfdrOy_yVH4
www.youtube.com/watch?v=MBa0NSmuVl8

For customer service, please contact:
captain@realmofthrones.com

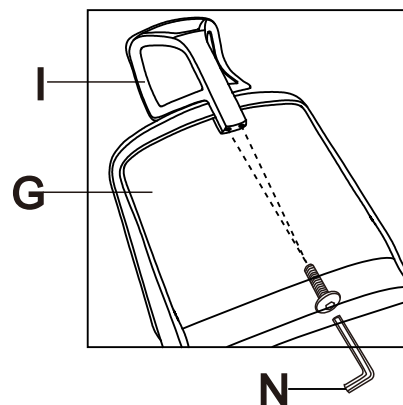
Step 7

Attach assembled parts in Step 3 & 6 by inserting gas cylinder 'D' into mechanism 'E'.



Step 8

Loosen pre-set screws on headrest 'I', attach headrest onto the top side of backrest 'G', align it with the centre marking which is on the reverse side of the top edge of the backrest, and secure it with the screws.



Function 1

Pull handle up for seat height adjustments.
Maximum lift range 9.5cm.

