

Thank you for choosing Realm of Thrones!

We hope that you are happy with our product.

Register with us to activate your comprehensive

**5-year warranty** and get **CASHBACK** rewards!

(£10/€10/\$10 for UK/EU/US markets respectively.)

Please send '**CASHBACK**' & **Order ID** to

[valkyrie@realmofthrones.com](mailto:valkyrie@realmofthrones.com)

### **WARNING**

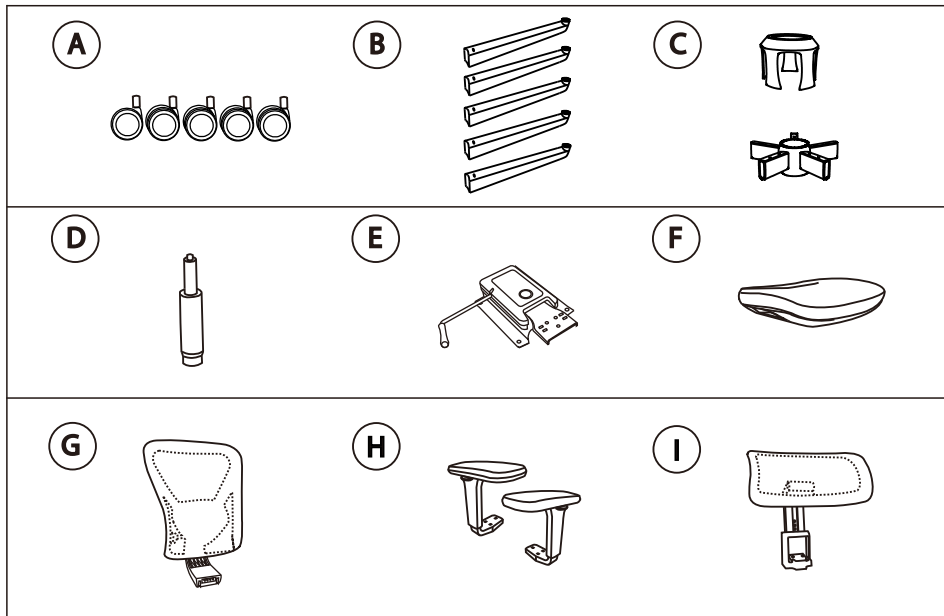
1. This product is designed for seating only. Do not stand on this product. Do not use it as a step ladder.
2. Do not use this product unless all bolts and parts are firmly tightened. Check all parts for safety every three months.
3. If any part is missing, damaged or worn, stop using this product. Repair with manufacturer's parts. Contact us through email above.
4. Do not sit on the armrests of this product.
5. This product is designed for seating of one person at any time.
6. Adult supervision is strongly advised when used by children under the age of 10.
7. Failure to follow these instructions may result in serious injuries.

## **VALKYRIE by REALM OF THRONES**

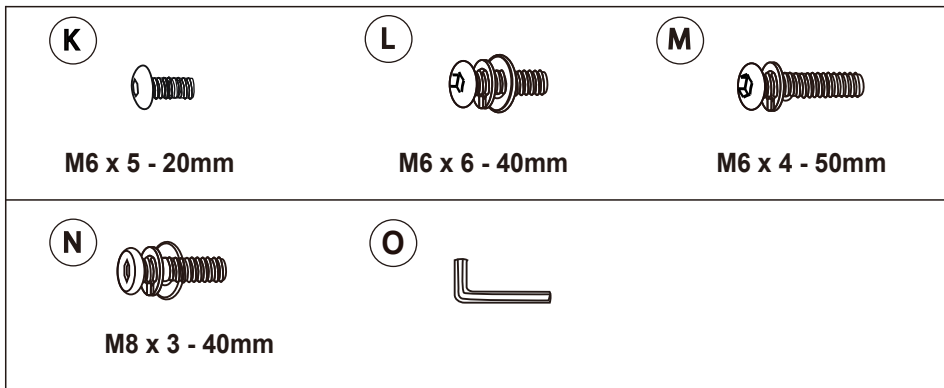


[www.realmofthrones.com](http://www.realmofthrones.com)

## COMPONENTS

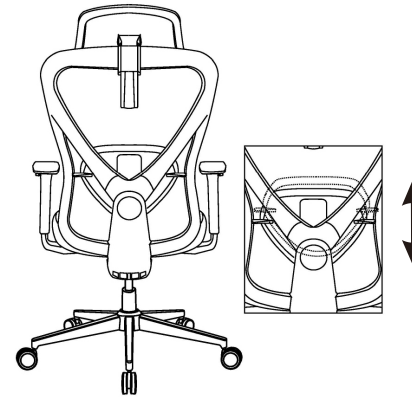


## HARDWARE/TOOLS



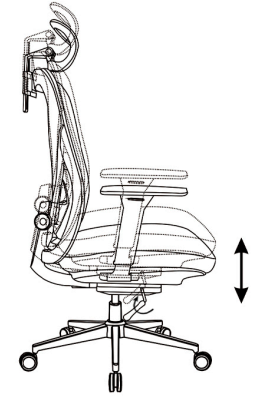
## Function 4

6cm lumbar support height adjustments



## Function 5

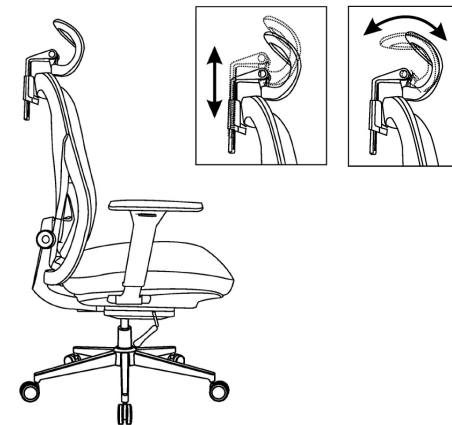
Pull handle up for seat height adjustments.  
Maximum lift range 9cm.



## Function 6

10cm headrest height adjustments.

Tilt position adjustments.

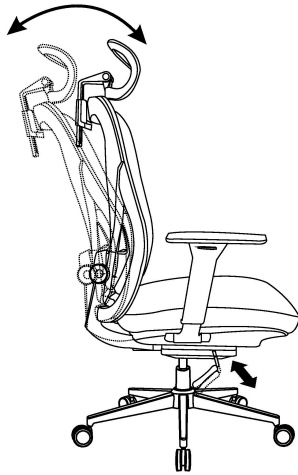


## Function 2

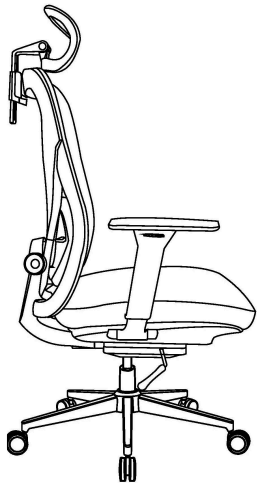
Pull lever outwards to unlock tilt function.

Weight-activated tilt tensioner offers comfort tilt resistance for different users depending on their body weights.

Push handle inwards to lock reclining positions at 92°, 106°, 120° and 135°.

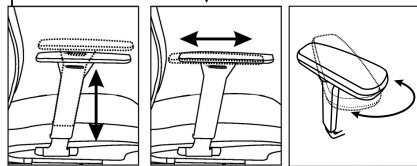


## Function 3



Press and hold the buttons to adjust the heights of armrests

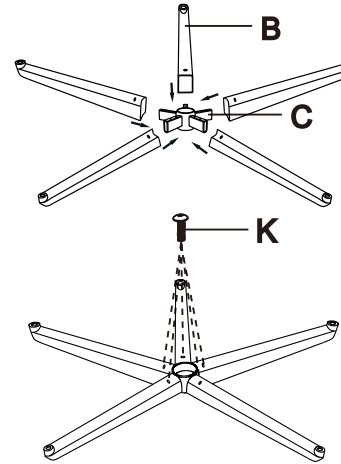
Adjust armrest pad positions by sliding forward and backward.



30° two-way pivot adjustments.

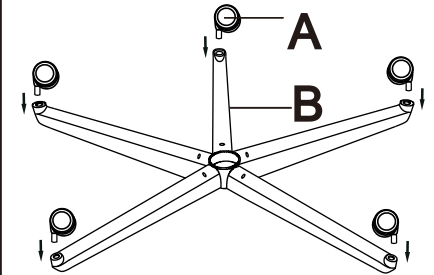
## Step 1

Plug five legs 'B' into centre base 'C', and secure them with screws 'K' (20mm)



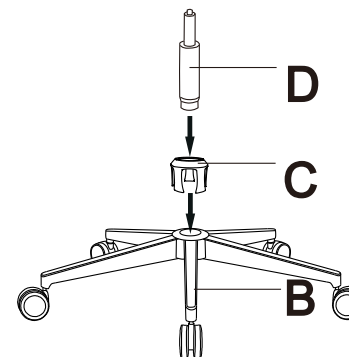
## Step 2

Insert five wheels 'A' onto the bottom of base foot 'B'.



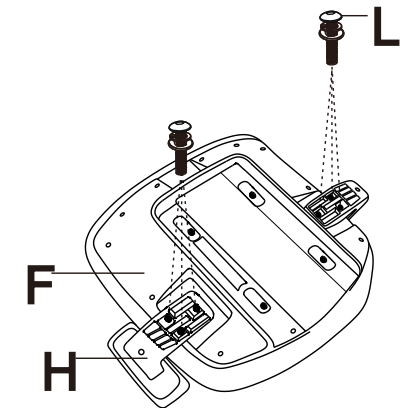
## Step 3

Insert gas cylinder 'D' into the top centre of the assembled base 'B' and cover trim 'C'.



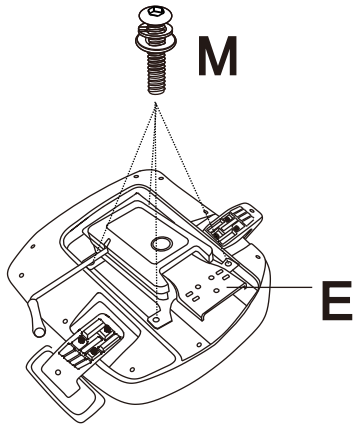
## Step 4

Attach armrests 'H' onto the left and right of the backrest 'F', and secure them with screws 'L' (40mm).



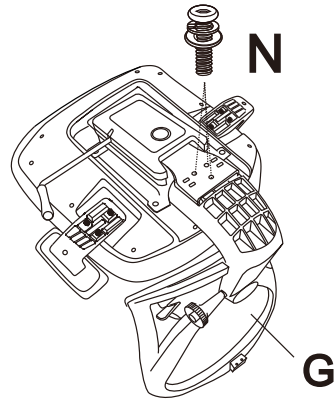
## Step 5

Attach reclining mechanism 'E' onto seat pad 'F' with screws 'M' (50mm).



## Step 6

Attach backrest 'G' onto seat pad 'F' with screws 'N' (40mm).



## Step 9

'VALKYRIE' is Ready!



## Return and Refund:

In the unlikely event that you need to return your order for a refund, please dismantle the chair and put the parts back into the original packaging. We would appreciate it very much if the chair can be returned in its original condition.

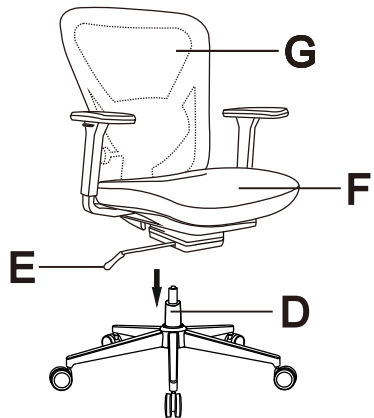
Taking apart the gas cylinder from the chassis mechanism and the foot base would preferably require a hammer with non-metal/rubber head. You may also use a metal hammer or a wrench. Please make sure that a thick soft cloth is placed between the contact points so that the metal hammer or wrench would not cause damages to the chassis mechanism, the foot base, or the gas cylinder. Techniques for dismantling the gas cylinder are shown in the following videos:

[www.youtube.com/watch?v=PRq\\_U6k\\_gzo](http://www.youtube.com/watch?v=PRq_U6k_gzo)  
[www.youtube.com/watch?v=63U6gBgXJcK](http://www.youtube.com/watch?v=63U6gBgXJcK)  
[www.youtube.com/watch?v=AKllsKKz6RA](http://www.youtube.com/watch?v=AKllsKKz6RA)  
[www.youtube.com/watch?v=kpsuli2L\\_E](http://www.youtube.com/watch?v=kpsuli2L_E)  
[www.youtube.com/watch?v=GfdrOy\\_yVH4](http://www.youtube.com/watch?v=GfdrOy_yVH4)  
[www.youtube.com/watch?v=MBa0NSmuVl8](http://www.youtube.com/watch?v=MBa0NSmuVl8)

For customer service, please contact:  
[valkyrie@realmofthrones.com](mailto:valkyrie@realmofthrones.com)

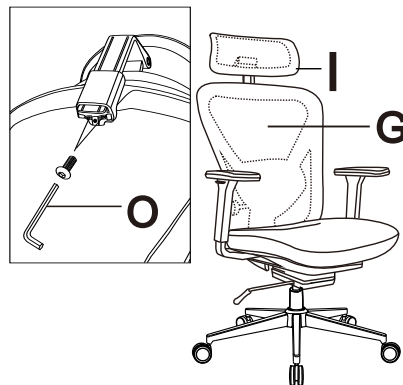
## Step 7

Attach assembled parts in Step 3 & 6 by inserting gas cylinder 'D' into mechanism 'E'.

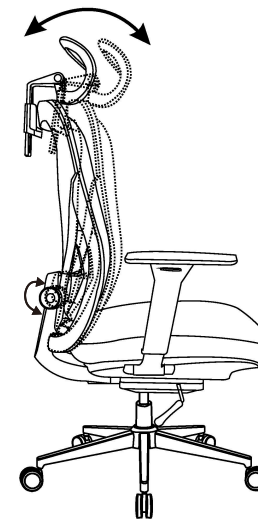


## Step 8

Loosen pre-set screws on backrest 'G', attach headrest 'I' onto the top side of backrest 'G' and secure it with the screws.



## Function 1



Backrest Forward Tilt by 8° for enhanced upright position.

