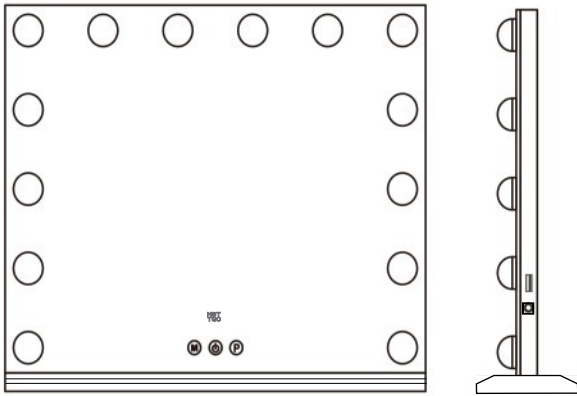
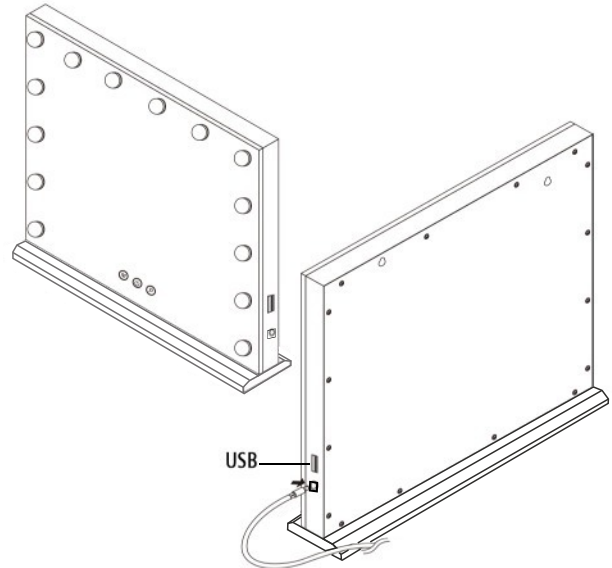


1



2



Connect the adapter



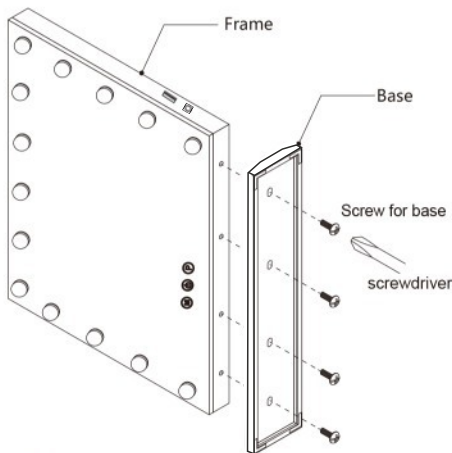
Handle with care! When unpacked, never place upright on a surface e.g. tile floor. Always lay on soft surface.

Do not plug the mirror into the wall socket until fully assembled.

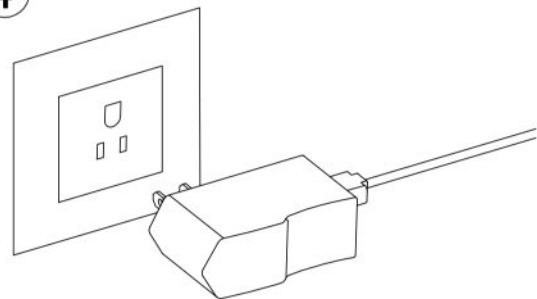
Do not hang or drape clothes or any other materials over the mirror bulbs.

Avoid placing objects against or very near the bulb.

3

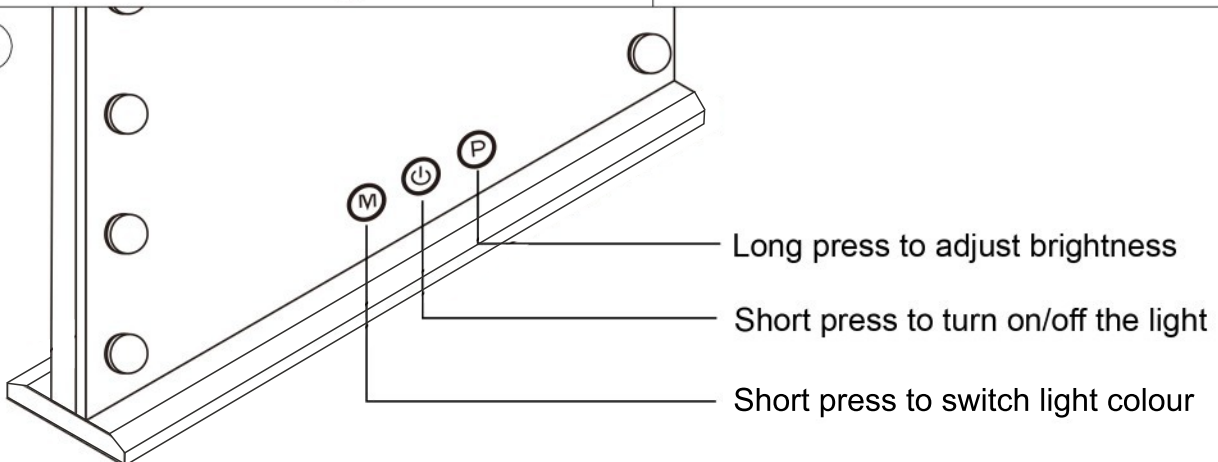


4



Plug the mirror into the wall socket until fully assembled.

5



Long press to adjust brightness

Short press to turn on/off the light

Short press to switch light colour