

Avalla

Air Purifiers



R-45



R-90



R-120



R-150



R-190



R-2000



R-2200



R-4000



R-4200



R-8000

Read this manual carefully before use and keep it for future reference. Failure to do so may result in injury, property damage and may void the warranty.



Contents

03	R-45, R-90, R-120, R-150, R-190
04	Quick start guide: R-45
05	Quick start guide: R-90
06	Quick start guide: R-120
07	Quick start guide: R-150
08	Quick start guide: R-190
09	Air quality indicator <ul style="list-style-type: none">• Storage• Disposal• Symbols from plug transformer
10	Health and safety <ul style="list-style-type: none">• General safety instructions• Connection to the power supply
12	Specifications
12	Troubleshooting
13	R-2000, R-2200, R-4000, R-4200, R-8000
14	First time set up: all units <ul style="list-style-type: none">• Air quality indicator: all units• ION mode: R-4000 / R-4200 / R-8000• UV mode: R-8000
15	Quick start guide: R-2000 / R-2200
16	Quick start guide: R-4000 / R-4200
17	Quick start guide: R-8000
18	Storage and disposal <ul style="list-style-type: none">• Storage• Disposal• Symbols from plug transformer
19	Health and safety <ul style="list-style-type: none">• General safety instructions• Connection to the power supply
21	Specifications
21	Troubleshooting



Buy your spare filters at: www.avalla.com

R-45, R-90, R-120, R-150, R-190



R-45



R-90



R-120



R-150

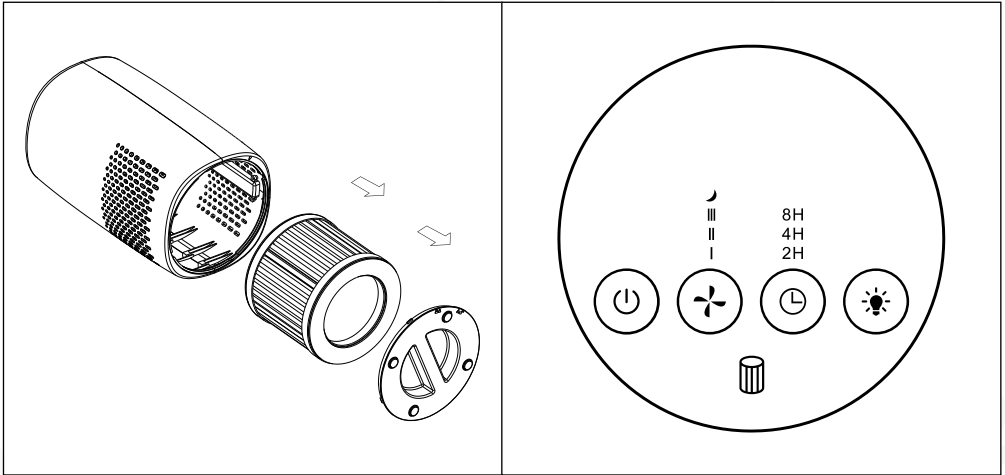


R-190

Quick start guide: R-45

Parts guide

Touch control panel



Make sure your purifier is switched off and unplugged from the mains power supply. Open the air filter cover, remove all packaging from the new filter, and insert.

Re-attach the air filter cover and reset the filter timer.



Power – Turn unit on / off.



Fan speed – Press to select your preferred fan speed. The options are low, medium, high, or sleep. With sleep mode enabled, the fan is at its lowest and the display dims.



Timer – Press to select how many hours until you would like the air purifier to automatically turn off. If no timer indicator light is on, the timer is disabled.



Night light – Press to turn the night light on / off.

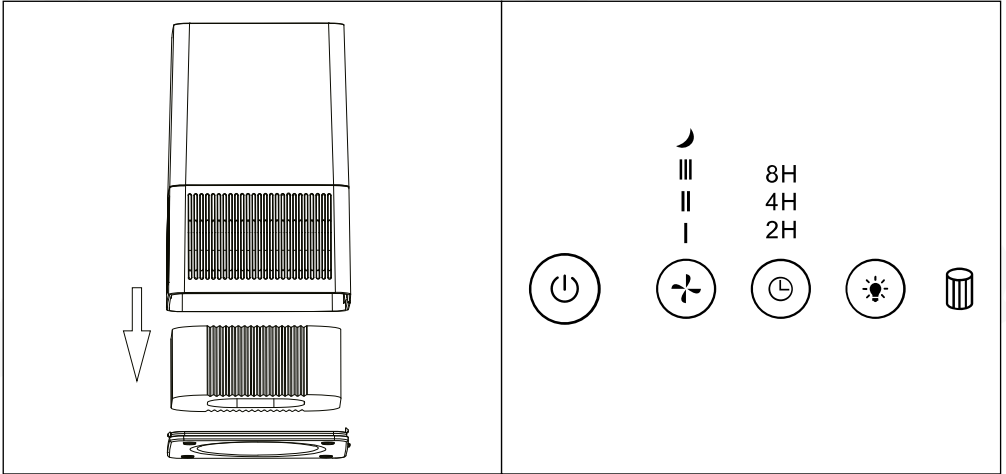


Filter reset – If the indicator light turns orange, replace the filter, press and hold the filter reset button for three seconds to reset the timer.

Quick start guide: R-90

Parts guide

Touch control panel



Make sure your purifier is switched off and unplugged from the mains power supply. Open the air filter cover, remove all packaging from the new filter, and insert.

Re-attach the air filter cover and reset the filter timer.



Power - Turn unit on / off.



Fan speed – Press to select your preferred fan speed. The options are low, medium, high, or sleep. With sleep mode enabled, the fan is at its lowest and the display dims.



Timer – Press to select how many hours until you would like the air purifier to automatically turn off. If no timer indicator light is on, the timer is disabled.

2H
4H
8H



Night light – Press to turn the night light on / off.

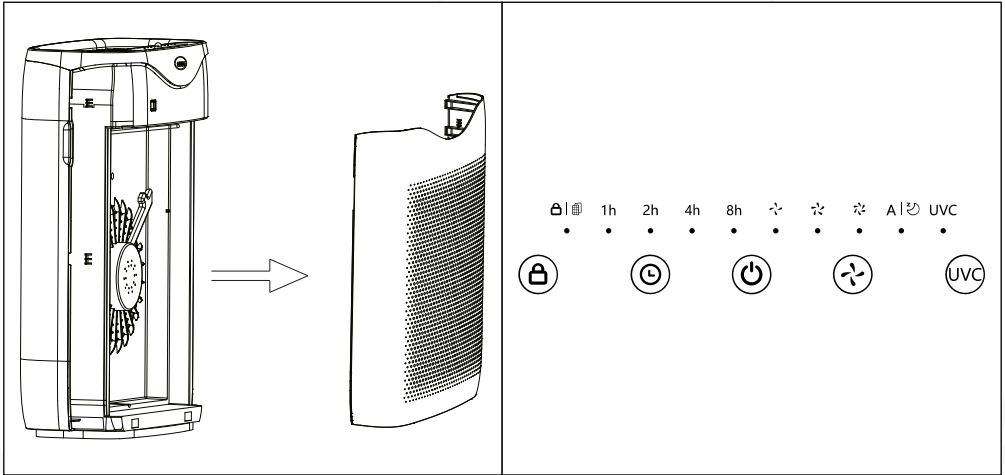


Filter reset – If the indicator light turns orange, replace the filter, press and hold the filter reset button for three seconds to reset the timer.

Quick start guide: R-120

Parts guide

Touch control panel



Make sure your purifier is switched off and unplugged from the mains power supply. Open the air filter cover, remove all packaging from the new filter, and insert.

Re-attach the air filter cover and reset the filter timer.



Power - Press to turn the unit on / off.



Fan speed – Press to select your preferred fan speed. The options are low, medium, high, sleep or auto. In auto, the fan speed will adjust automatically depending on the air quality. Sleep mode will use the quietest fan speed and switch off the display. Tap any button to wake.



Timer – Press to select how many hours until you would like the air purifier to automatically turn off. If no timer indicator light is on, the timer is disabled.

1h
2h
4h
8h



Lock / Filter reset – Press and hold for 3 seconds to enable / disable child lock function.

or

When the filter needs to be replaced, the filter symbol illuminates. Replace filter then press and hold the Lock button for 3 seconds to reset. Normal Lock function will resume.

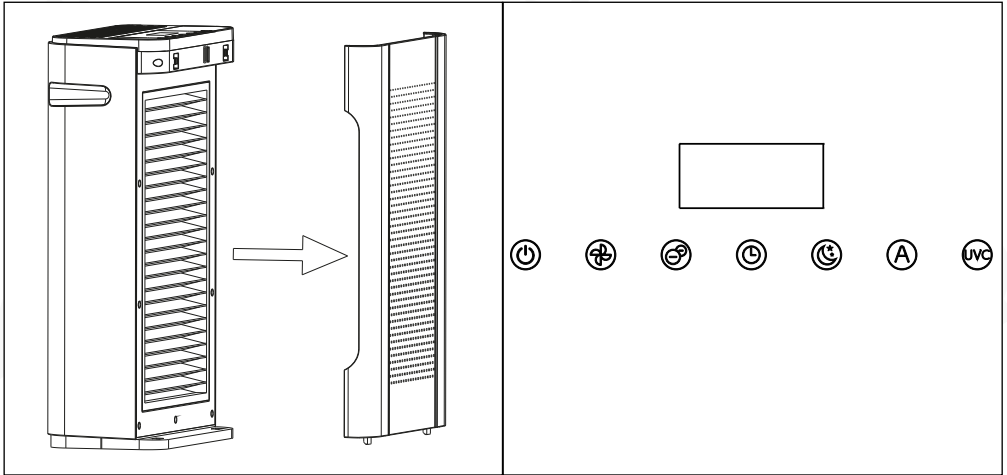


UVC - Press to enable / disable the UVC function.

Quick start guide: R-150

Parts guide

Touch control panel



Make sure your purifier is switched off and unplugged from the mains power supply. Open the air filter cover, remove all packaging from the new filter, and insert.

Re-attach the air filter cover and reset the filter timer.



Power - Press to turn the unit on / off.



Fan speed / Filter reset – Press to select your preferred fan speed. The options are low, medium or high.

When the filter needs to be replaced, the PM2.5 icon will flash. Replace filter then press and hold Fan speed button for 3 seconds to reset. Normal Sleep function will resume.



Timer – Press to select how many hours until you would like the air purifier to automatically turn off. If no timer indicator light is on, the timer is disabled.



Ion - Enables negative ion feature.



Sleep mode – Sleep mode will use the quietest fan speed and switch off the display. Tap any button to wake.



UVC - Press to enable / disable the UVC function.

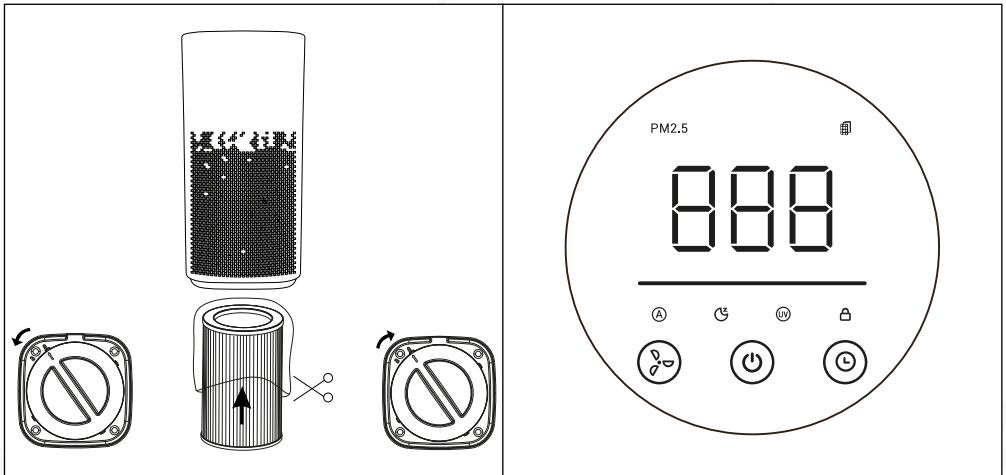


Auto mode - In auto, the fan speed will adjust automatically depending on the air quality.

Quick start guide: R-190

Parts guide

Touch control panel




Make sure your purifier is switched off and unplugged from the mains power supply. Open the air filter cover, remove all packaging from the new filter, and insert.


Re-attach the air filter cover and reset the filter timer.

 **Power / Filter reset** - Press to turn the unit on / off.

- When the filter needs to be replaced, the filter symbol illuminates. Replace filter then press and hold power button for 5 seconds to reset.

 **Fan speed / Lock** – Press to select your preferred fan speed. The options are low, medium, high, sleep or auto. In auto, the fan speed will adjust automatically depending on the air quality. Sleep mode will use the quietest fan speed and switch off the display. Tap any button to wake.

Press and hold for 5 seconds to enable / disable child lock function.

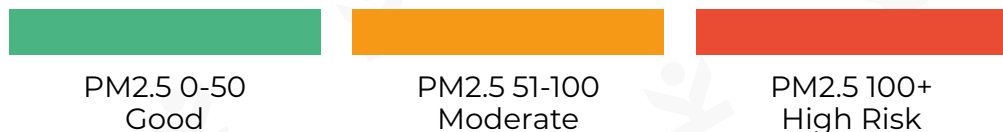
 **Timer / UVC** – Press to select how many hours until you would like the air purifier to automatically turn off. If no timer indicator light is on, the timer is disabled.

- Press and hold the Timer button for 5 seconds to turn on / off the UVC function.

Air quality indicator

For models R-120 and R190:


The PM2.5 sensor monitors real-time air quality and displays this on the LCD display and with a represent colour.




Storage

The pre-filter and body of the unit should be cleaned regularly and prior to long term storage. Always store in a cool, dry place.

- Ensure the unit is switched off and unplugged from the mains power.
- Remove the filter from the unit.
- Clean the filter chamber, air inlet and the outside of the unit with a dry cloth.
- Clean the pre-filter with a soft, dry brush.

 **Warning:** Do not use any abrasive materials or cleaning products on any part of the air purifier. The filters are not washable. Only use genuine Avalla filters designed for this specific model.

Disposal

 The adjacent symbol of a crossed-out wheeled bin indicates that this device is subject to Directive 2012/19/EU. This directive states that you must not dispose of this device with your general household waste at the end of its working life, but rather take it to a specially established collection point, recycling centre or waste disposal company. This disposal is free of charge for you. Protect the environment and dispose of it properly.

Symbols from plug transformer



C7 polarised infinity
coupler



Safety isolating.
Products with this
symbol are designed so
the output is electrically
isolated from the unit.



Indoor use only



Power supply unit,
switch mode, SMPS

Health and safety

General safety instructions

Symbols from the unit



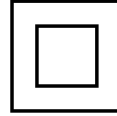
Read the instruction manual



UK Conformity Assessed



European Conformity



Class II Construction (Double Insulated)



WEEE - Waste Electrical & Electronic Equipment. Do not dispose of Waste Electrical & Electronic Equipment in with domestic rubbish.



The following must always be observed for safety


- This appliance is not intended to be used by children. Persons with lack of experience or knowledge, reduced physical, sensory, or mental capabilities, can use this appliance if they have been given supervision or instruction concerning use of the appliance in a safe way.
- Component parts must only be replaced with identical repair parts.
- The appliance must be disconnected from its power source during servicing, cleaning or when not in use. Do not use chemicals to clean the appliance.
- Always operate the unit from power outlet of equal voltage, frequency and rating as indicated on the product identification plate.
- Do not operate with wet hands. Keep the unit away from sources or water, moisture, or any other liquids.
- Do not leave the unit running unattended. Do not unplug or tilt the unit while it is in operation.
- Do not unplug by pulling on the power cord.
- Do not put objects on the unit, climb or sit on the unit.
- Do not insert fingers or other objects into the air outlet.
- Do not operate the unit if it is dropped, damaged or showing signs of product malfunction.
- The unit must be installed in accordance with national wiring regulations.
- The appliance must be stored in a manner to prevent mechanical damage.
- Do not place in direct sunlight or near objects that may cause mechanical vibration or shock.

- Position the unit on an even / flat surface, away from excessive dust, and always maintain the unit to ensure that excessive dust does not accumulate anywhere on the unit.
- Do not use the appliance where combustible / flammable gases or vapours are present.
- Do not use the appliance outdoors, it is designed only for indoor use.
- This appliance is not a substitute for proper ventilation.
- Never use the appliance unless it is fully assembled and with filters in place.
- Leave at least 20cm free space around the appliance and at least 30cm free space above the appliance.
- Do not use this appliance when using indoor smoke-type insect repellents or in places with oily residues, burning incense, or chemical fumes.
- Do not use the appliance in a room with major temperature changes, as this may cause condensation inside the appliance.
- Always wash your hands thoroughly after changing or cleaning a filter.

Connection to the power supply

Caution: Risk of electric shock. Do not open.

- This appliance is supplied with a moulded 3 pin mains plug for your safety. The value of the fuse fitted is marked on the pin face of the plug. Should the fuse need replacing, ensure the substitute is of the correct rating, approved to BS1362 and ASTA or BSI Kite marked.
ASTA:  BSI: 
- The fuse cover is removable with a small plain slot screwdriver. Ensure the fuse cover is replaced before attempting to connect the plug to an electrical outlet. If the cover is missing, a replacement must be obtained or the plug replaced with a suitable type.
- The R-190 uses a maximum-output 24v at 2.0A transformer. Ensure you use the supplied transformer with this product.
- If a replacement plug is to be fitted this must be carried out by a qualified electrician.
- The damaged or incomplete plug, when cut from the cable should be disabled to prevent connection to a live electrical outlet.
- This appliance is Class II and is designed for connection to a power supply matching that detailed on the rating label and compatible with the plug fitted.
- If an extension lead is required, use an approved and compatible lead rated for this appliance. Follow all the instructions supplied with the extension lead.

- Double insulated : This product requires no earth connection as supplementary insulation is applied to the basic insulation to protect against electric shock in the event of failure of the basic insulation.

Important: If using an extension lead, follow the instructions that came with your lead regarding maximum load while cable is wound. If in doubt, ensure that the entire cable is unwound. Using a coiled extension lead will generate heat which could melt the lead and cause a fire.

Failure to abide by any of these warnings could result in a fire, explosion, electric shock, injury, death, and property damage.

Specifications

	R-45	R-90	R-120	R-150	R-190
Power	11W	42W	50W	50W	35W
CADR	70m ³ /Hr	130m ³ /Hr	200m ³ /Hr	300m ³ /Hr	400m ³ /Hr
Coverage	18m ²	34m ²	52m ²	78m ²	104m ²
Max noise	<48dB	<50dB	<50dB	<50dB	<55dB
Min noise	<32dB	<32dB	<35dB	<35dB	<37dB

Troubleshooting

Issue	Cause identification	Solution
The unit does not operate	Is the filter replacement light on?	Replace the filter
Excessive noise	Has the protective cover been removed from the filter?	Remove the filter protective cover
	Is the unit positioned on flat ground?	Place the unit on flat, firm ground
The unit powered off	Was the unit turned on for 48 hours?	After 48 hours of continuous use, the unit will automatically power down for safety

Avalla Ltd. Unit A 73, Common Road, Chandler's Ford,
Eastleigh, SO53 1HE. United Kingdom
Company no. 13477899
support@avalla.com

R-2000, R-2200, R-4000, R-4200, R-8000



R-2000



R-2200



R-4000



R-4200



R-8000

First time set up: all units

Open the 'Air filter cover', remove all packaging from the 'Air filter' and the power adaptor. Re-insert the 'Air filter' and re-attach the 'Air filter cover'

Plug the power adaptor into the rear of the unit and reset the filter timer following 'Filter reset' instructions.

Air quality indicator: all units

The PM2.5 sensor monitors real-time air quality. The 'Air quality indicator' will change colour depending on air quality.



PM2.5 0-75
Good



PM2.5 76-150
Moderate



PM2.5 151+
High Risk

ION mode: R-4000 / R-4200 / R-8000

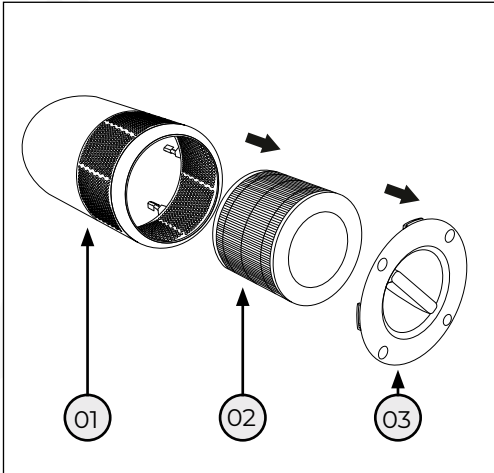
ION mode negatively charges particles as they pass through your air purifier causing them to clump together and become more easily embedded in the True HEPA filter.

UV mode: R-8000

The R-8000 uses UV light to safely disable airborne bacteria and viruses.

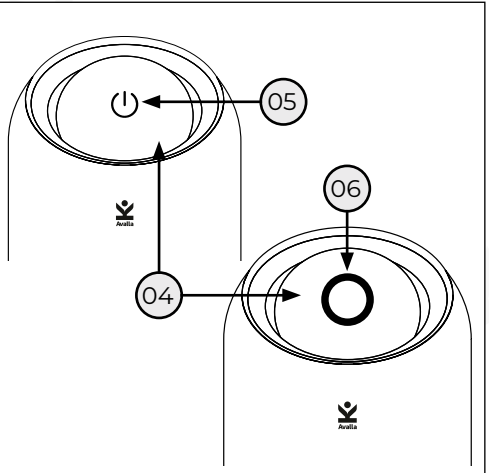
Quick start guide: R-2000 / R-2200

Parts guide



- 01. Main body
- 02. Air filter
- 03. Air filter cover

Controls



- 04. Visor
- 05. Power button (Visor closed)
- 06. Air quality indicator (Visor open)



Power - When you first plug the unit in, the 'Visor' will open and the unit will perform an air quality test in Auto mode. The fan will blow at high speed then react to the air quality automatically. To switch the unit off, press the middle of the 'Air quality indicator' or slide the 'Visor' all the way down. To turn the unit on again, press the 'Power button'.

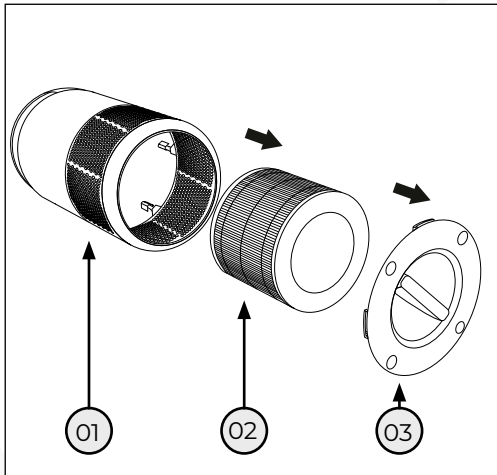


Fan speed - To manually select the fan speed, move the 'Visor' up to increase fan speed and down to decrease. There are three fan speeds; low, medium and high.

Filter reset - If the 'Air quality indicator' flashes red, replace the 'Air filter', press and hold the centre of the 'Air quality indicator' for seven seconds to reset the timer.

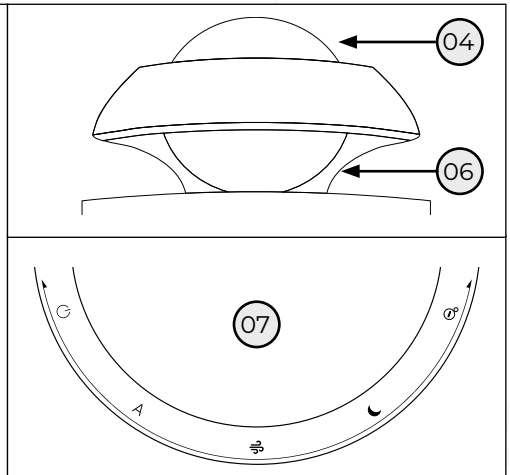
Quick start guide: R-4000 / R-4200

Parts guide



- 01. Main body
- 02. Air filter
- 03. Air filter cover

Controls



- 04. Dome
- 06. Air quality indicator
- 07. Control panel (on top of unit)



Power - Turn the 'Dome' to this position to turn the unit off.



Auto mode - Turn the 'Dome' to this position to select Auto mode. The unit will adjust fan speed according to the air quality.



High speed - Turn the 'Dome' to this position to select high speed. The fan will run at maximum speed.



Sleep mode - Turn the 'Dome' to this position to select sleep mode. The fan will run at low speed and the lights on the unit will dim.



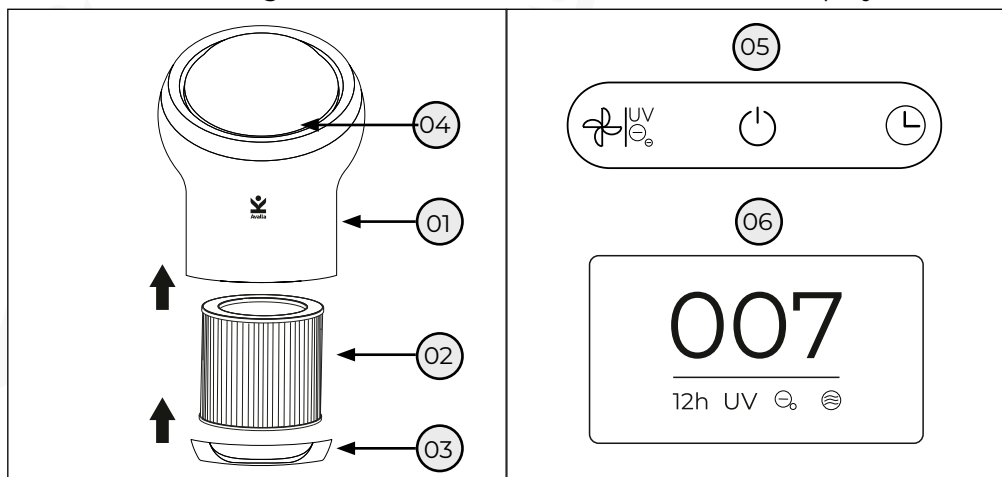
ION - Turn the 'Dome' to this position and press to toggle ION on or off in any mode. Turn the 'Dome' back to your selected mode.

Filter reset - If the 'Air quality indicator' flashes orange, replace the 'Air filter', press and hold the 'Dome' for five seconds to reset the timer.

Quick start guide: R-8000

Parts guide


Controls / Display

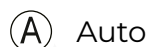
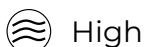


- 01. Main body
- 02. Air filter
- 03. Air filter cover

- 04. Air quality indicator
- 05. Control panel (on top of unit)
- 06. Digital display

 **Power** - Press 'Power' to turn the unit on / off.


 **Fan speed** – Press to select your preferred fan speed. The options are low, high, sleep or auto. Your selected speed will be shown on the 'Digital display'.



Sleep mode will use the quietest fan speed and switch off the display. Tap any button to wake.

In auto, the fan speed will adjust automatically depending on the air quality.

 **UV/ION** - Long press to enable / disable the UV and ION functions. The UV and ION functions will disable after 2 hours.

 **Timer** – Press to select how many hours until you would like the air purifier to automatically turn off. The timer cycles between 2H-4H-8H-12H and OFF.


Filter reset - When the filter needs to be replaced, the 'Air filter' symbol flashes yellow. Replace the 'Air filter' then press and hold the UV/ION button for seven seconds to reset.

Storage and disposal


Storage

The pre-filter and body of the unit should be cleaned regularly and prior to long term storage. Always store in a cool, dry place.

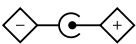
- Ensure the unit is switched off and unplugged from the mains power.
- Remove the filter from the unit.
- Clean the filter chamber, air inlet and the outside of the unit with a dry cloth.

 **Warning:** Do not use any abrasive materials or cleaning products on any part of the air purifier. The filters are not washable. Only use genuine Avalla filters designed for this specific model.

Disposal

 The adjacent symbol of a crossed-out wheeled bin indicates that this device is subject to Directive 2012/19/EU. This directive states that you must not dispose of this device with your general household waste at the end of its working life, but rather take it to a specially established collection point, recycling centre or waste disposal company. This disposal is free of charge for you. Protect the environment and dispose of it properly.

Symbols from plug transformer



Coaxial power connector



Safety isolating.
Products with this symbol are designed so the output is electrically isolated from the unit.



Indoor use only



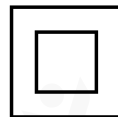
Power supply unit, switch mode, SMPS



UK
Conformity
Assessed



European
Conformity



Class II
Construction
(Double
Insulated)



WEEE - Waste Electrical & Electronic Equipment.
Do not dispose of Waste Electrical & Electronic Equipment in with domestic rubbish.

Health and safety

General safety instructions

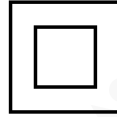
Symbols from the unit



Read the instruction manual



European Conformity



Class II Construction (Double Insulated)



WEEE - Waste Electrical & Electronic Equipment. Do not dispose of Waste Electrical & Electronic Equipment in with domestic rubbish.



The following must always be observed for safety

- This appliance is not intended to be used by children. Persons with lack of experience or knowledge, reduced physical, sensory, or mental capabilities, can use this appliance if they have been given supervision or instruction concerning use of the appliance in a safe way.
- Component parts must only be replaced with identical repair parts.
- The appliance must be disconnected from its power source during servicing, cleaning or when not in use. Do not use chemicals to clean the appliance.
- Always operate the unit from power outlet of equal voltage, frequency and rating as indicated on the product identification plate.
- Do not operate with wet hands. Keep the unit away from sources or water, moisture, or any other liquids.
- Do not leave the unit running unattended. Do not unplug or tilt the unit while it is in operation.
- Do not unplug by pulling on the power cord.
- Do not put objects on the unit, climb or sit on the unit.
- Do not insert fingers or other objects into the air outlet.
- Do not operate the unit if it is dropped, damaged or showing signs of product malfunction.
- The unit must be installed in accordance with national wiring regulations.
- The appliance must be stored in a manner to prevent mechanical damage.
- Do not place in direct sunlight or near objects that may cause mechanical vibration or shock.

- Position the unit on an even / flat surface, away from excessive dust, and always maintain the unit to ensure that excessive dust does not accumulate anywhere on the unit.
- Do not use the appliance where combustible / flammable gases or vapours are present.
- Do not use the appliance outdoors, it is designed only for indoor use.
- This appliance is not a substitute for proper ventilation.
- Never use the appliance unless it is fully assembled and with filters in place.
- Leave at least 20cm free space around the appliance and at least 30cm free space above the appliance.
- Do not use this appliance when using indoor smoke-type insect repellents or in places with oily residues, burning incense, or chemical fumes.
- Do not use the appliance in a room with major temperature changes, as this may cause condensation inside the appliance.
- Always wash your hands thoroughly after changing or cleaning a filter.

Connection to the power supply

Caution: Risk of electric shock. Do not open.

- This appliance is supplied with a moulded 3 pin mains plug for your safety. The value of the fuse fitted is marked on the pin face of the plug. Should the fuse need replacing, ensure the substitute is of the correct rating, approved to BS1362 and ASTA or BSI Kite marked.
ASTA:  BSI: 
- The fuse cover is removable with a small plain slot screwdriver. Ensure the fuse cover is replaced before attempting to connect the plug to an electrical outlet. If the cover is missing, a replacement must be obtained or the plug replaced with a suitable type.
- Ensure you use the supplied transformer with this product.
- If a replacement plug is to be fitted this must be carried out by a qualified electrician.
- The damaged or incomplete plug, when cut from the cable should be disabled to prevent connection to a live electrical outlet.
- This appliance is Class II and is designed for connection to a power supply matching that detailed on the rating label and compatible with the plug fitted.
- If an extension lead is required, use an approved and compatible lead rated for this appliance. Follow all the instructions supplied with the extension lead.

- Double insulated : This product requires no earth connection as supplementary insulation is applied to the basic insulation to protect against electric shock in the event of failure of the basic insulation.

Important: If using an extension lead, follow the instructions that came with your lead regarding maximum load while cable is wound. If in doubt, ensure that the entire cable is unwound. Using a coiled extension lead will generate heat which could melt the lead and cause a fire.

Failure to abide by any of these warnings could result in a fire, explosion, electric shock, injury, death, and property damage.

Specifications

	R-2000	R-2200	R-4000	R-4200	R-8000
Power	23W	45W	23W	40W	45W
CADR	100m ³ /Hr	250m ³ /Hr	100m ³ /Hr	400m ³ /Hr	300m ³ /Hr
Coverage	12m ²	36m ²	12m ²	48m ²	36m ²
Max noise	<50dB	<60dB	<55dB	<60dB	<60dB
Min noise	<30dB	<30dB	<40dB	<30dB	<30dB

Troubleshooting

Issue	Cause identification	Solution
The unit does not operate	Is the filter replacement light on?	Replace the filter
Excessive noise	Has the protective cover been removed from the filter?	Remove the filter protective cover
	Is the unit positioned on flat ground?	Place the unit on flat, firm ground
The unit powered off	Was the unit turned on for 48 hours?	After 48 hours of continuous use, the unit will automatically power down for safety

Avalla Ltd. Unit A 73, Common Road, Chandler's Ford,
Eastleigh, SO53 1HE. United Kingdom
Company no. 13477899
support@avalla.com