

Avalla

Vacuum Cleaner



D-3

D-5

D-9

D-50

D-70

Read this manual carefully before use and keep it for future reference. Failure to do so may result in injury, property damage and may void the warranty.



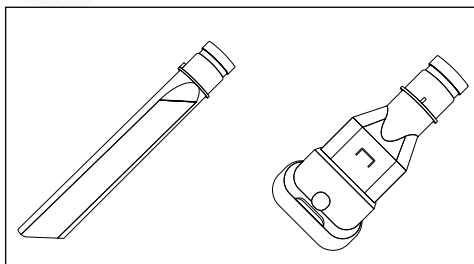
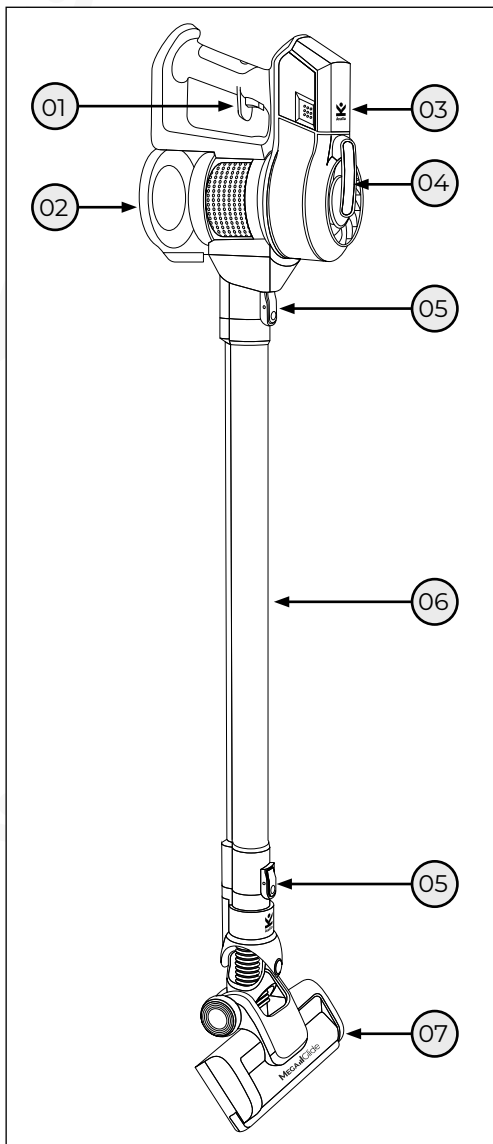
Contents

02	Contents
04	Quick start guide: D-3 <ul style="list-style-type: none">• Parts guide
05	• Assembly and operation
06	Emptying and Cleaning: D-3
07	Charging: D-3
08	Quick start guide: D-5 <ul style="list-style-type: none">• Parts guide
09	• Assembly and operation <ul style="list-style-type: none">• Control panel
10	Emptying and Cleaning: D-5
11	Charging: D-5
12	Quick start guide: D-9 <ul style="list-style-type: none">• Parts guide
13	• Assembly and operation <ul style="list-style-type: none">• Control panel
14	Emptying and Cleaning: D-9
15	Charging: D-9
16	Quick start guide: D-50 <ul style="list-style-type: none">• Parts guide
17	• Assembly and operation <ul style="list-style-type: none">• Control panel
18	Emptying and Cleaning: D-50
19	Charging: D-50
20	Quick start guide: D-70 <ul style="list-style-type: none">• Parts guide
21	• Assembly and operation <ul style="list-style-type: none">• Control panel
22	Emptying and Cleaning: D-70
23	Charging: D-70
24	Cleaning <ul style="list-style-type: none">• MEGA-Glide head D-3
25	• MEGA-Glide head D-5
26	• MEGA-Glide head D-9
27	• MEGA-Glide ZeroX head D-50/D-70
28	Health and safety <ul style="list-style-type: none">• General safety instructions• Disposal
30	Troubleshooting
30	Specifications

① Buy your spare filters and accessories at: www.avalla.com

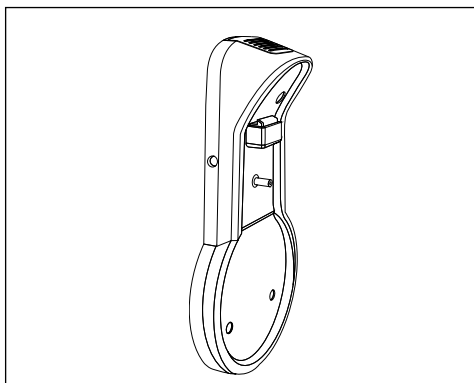
Quick start guide: D-3

Parts guide



Focus tool

Brush tool

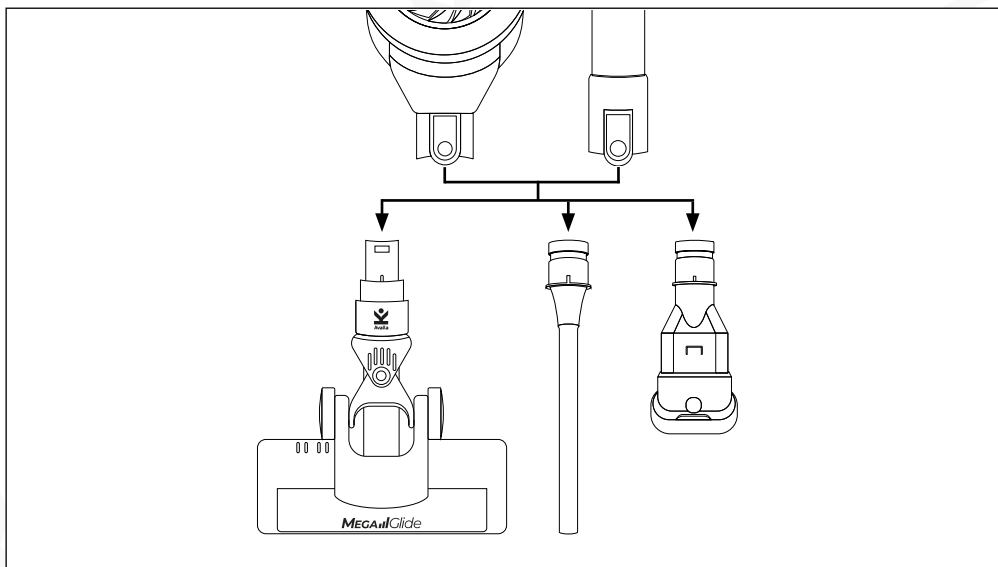


Charging dock

- 01. Power trigger
- 02. Dust bin
- 03. Battery
- 04. Battery indicator
- 05. T.Link connection
- 06. Extension tube
- 07. MEGA-Glide floor brush

Caution: Make sure the unit is switched off before swapping parts. Make sure attachments are securely locked in place before use.

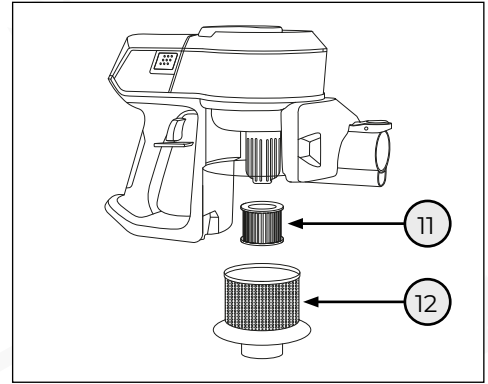
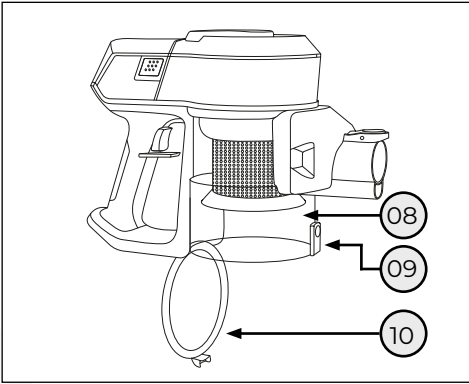
Assembly and operation



Any of the accessories can be attached to the extension tube or directly to the body giving you a portable and versatile vacuum cleaner, suitable for any situation.

- Attach your chosen accessory
- Press and hold the 'Power trigger' to turn the D-3 on.
- Press the 'Power trigger' to switch to high speed.
- Press the 'Power trigger' again to turn the D-3 off.

Emptying and Cleaning: D-3



- 08. Dust bin
- 09. Lock
- 10. Dust bin lid

- 11. HEPA filter
- 12. Stainless steel pre-filter

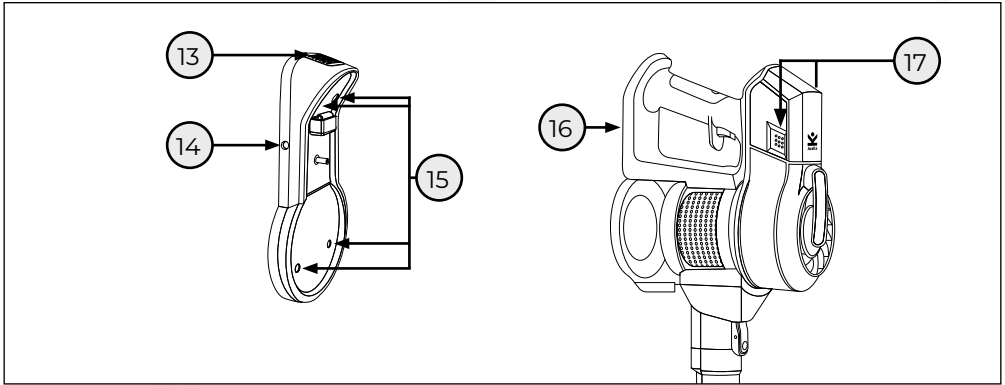
Emptying the dust bin

- Press the 'Lock' to release the 'Dust bin lid'.
- Empty the 'Dust bin'.

Cleaning the bin/filters

- Twist the bottom of the 'Dust bin' anti-clockwise to release.
- Twist the 'Stainless steel pre-filter' anti-clockwise to unlock it.
- Remove the 'Stainless steel pre-filter' and 'HEPA filter'.
- Wipe the 'Stainless steel pre-filter' with a damp cloth.
- The 'HEPA filter' can be brushed off, it should be replaced when heavily soiled.
- Wipe the 'Dust bin' with a damp cloth.
- Air dry all parts before re-assembly.
- Attach the bottom of the 'Dust bin' and twist clockwise to lock.
- Reinsert the 'HEPA filter' into the 'Stainless steel pre-filter'.
- Reinsert the 'Stainless steel pre-filter' into the 'Dust bin', line up the tabs and twist clockwise to lock it.
- Close the 'Dust bin lid'.

Charging: D-3



- 13. Charger release
- 14. Power in
- 15. Mounting holes (x4)

- 16. Charging port (base of unit)
- 17. Battery release
(one on each side of battery)

i The D-3 can be charged in two ways; via the wall mounted 'Charging dock' or by plugging the unit in directly.

Charging dock

- Find a suitable place to mount the 'Charging dock'.
- Mount the 'Charging dock' using appropriate screws and wall plugs.
- Plug the power adaptor into the side of the 'Charging dock'.
- To charge the D-3 clip it into the 'Charging dock'.
- The 'Battery indicator' will flash to show the charge level.
- To remove the vacuum cleaner from the dock, press the 'Charger release' and the vacuum cleaner will unlock.

Direct charge

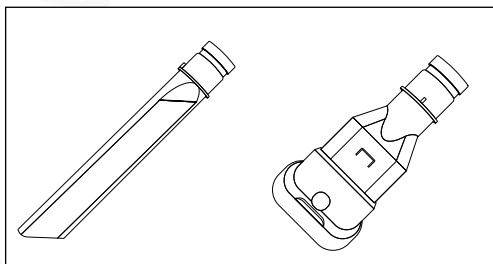
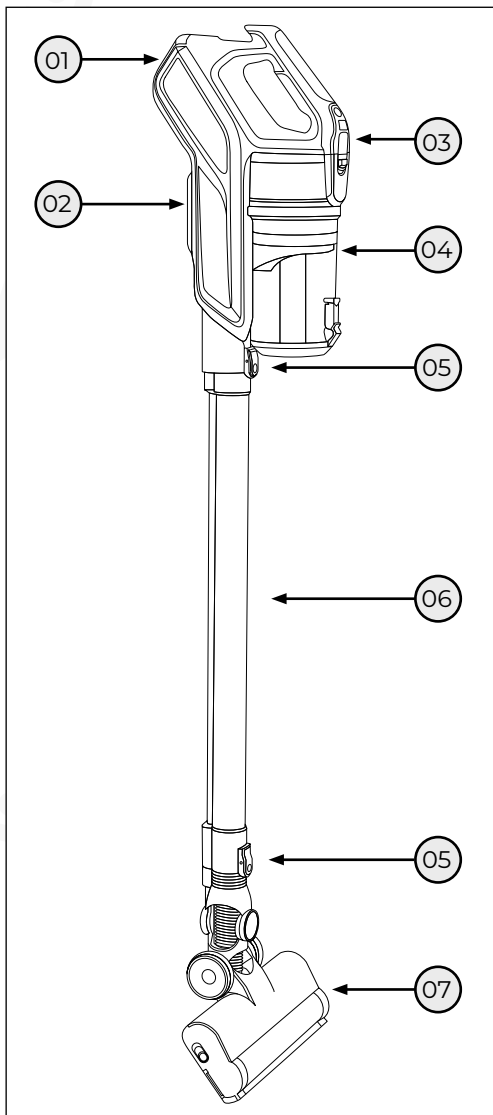
- Plug the power adaptor into the 'Charging port'.
- The 'Battery indicator' will flash to show the charge level.

Battery

- To remove the battery, press the 'Battery release'.
- Slide the battery up to remove it from the main body.
- To re-install the battery, slide the battery down the guides and press into place until it clicks.

Quick start guide: D-5

Parts guide



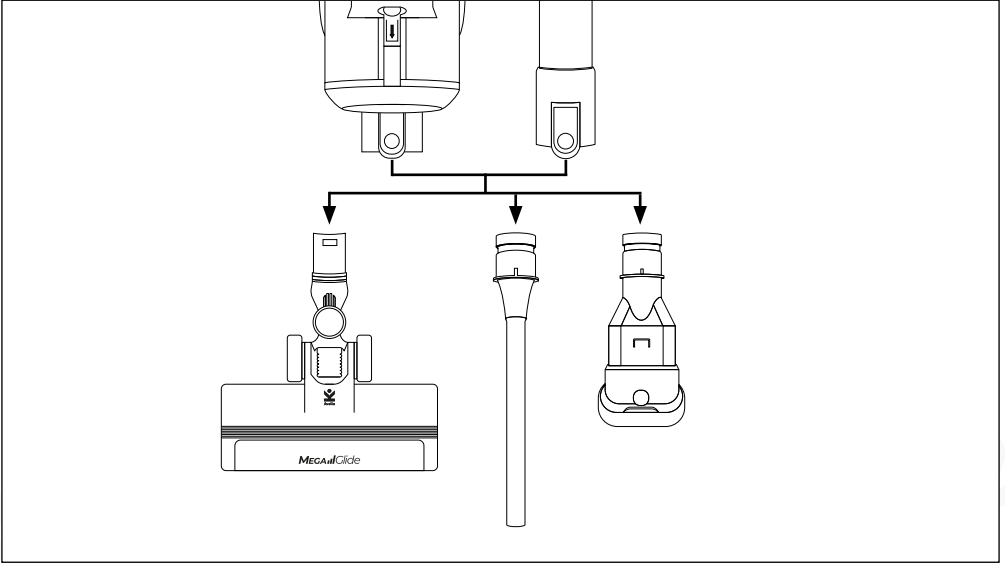
Focus tool

Brush tool

- 01. Power input
- 02. Battery (underside of unit)
- 03. Control panel
- 04. Dust bin
- 05. T.Link connection
- 06. Extension tube
- 07. MEGA-Glide floor brush

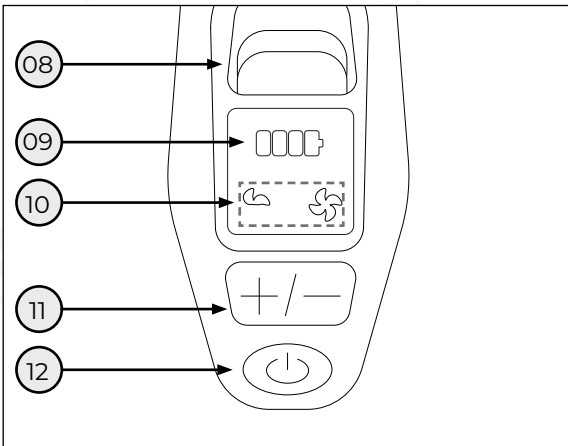
Caution: Make sure the unit is switched off before swapping parts. Make sure attachments are securely locked in place before use.

Assembly and operation



- i** Any of the accessories can be attached to the 'Extension tube' or directly to the body giving you a portable and versatile vacuum cleaner, suitable for any situation.

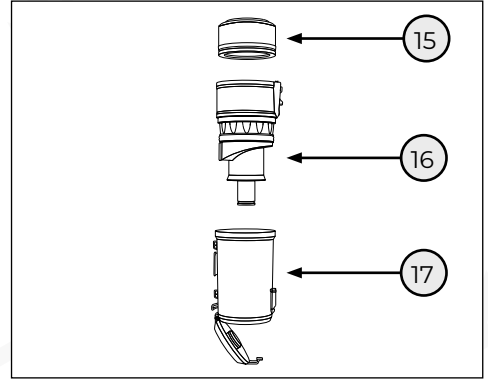
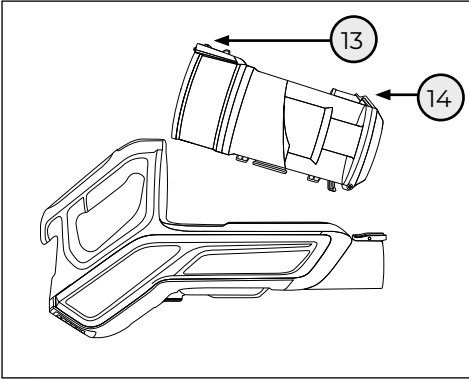
Control panel



- 08. Dust bin release
- 09. Battery indicator
- 10. Mode indicator
- 11. Speed
- 12. Power

- Press 'Power' to turn the unit on.
- The unit will turn on in Auto mode and adjust speed automatically.
- Press 'Speed' to select Low, Medium or High speed.
- Press 'Power' again to turn the unit off.

Emptying and Cleaning: D-5



- 13. Dust bin release
- 14. Lid Lock
- 15. HEPA filter

- 16. Stainless steel pre-filter
- 17. Dust bin

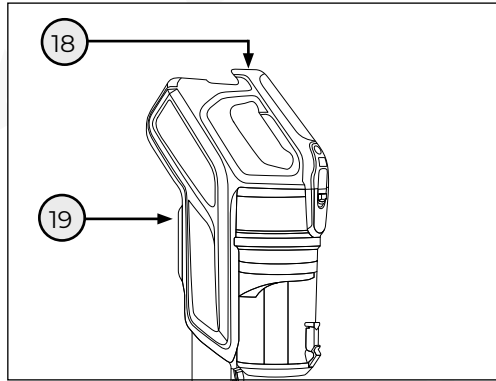
Emptying the dust bin

- For easy emptying, pull the 'Dust bin release' and lift the 'Dust bin' up and away from the main body.
- Press the 'Lid lock' to release the bin lid.

Cleaning the bin/filters

- Twist the 'Stainless steel pre-filter' to the unlocked position and lift it from the 'Dust bin'.
- Remove the 'HEPA filter' using the tab.
- Wipe the 'Stainless steel pre-filter' and 'Dust bin' with a damp cloth.
- Allow all parts to air dry fully before reassemble.
- Re-insert 'HEPA filter' into top of the 'Stainless steel pre filter', ensure tab is facing up in correct orientation.
- Slide the 'Stainless steel pre-filter' back into the 'Dust bin', take care to ensure tabs line up and filter is seated fully. Twist to lock into place.
- Re-attach 'Dust bin' to main body, slide the 'Dust-bin' onto the body and press down until it clicks into place.

Charging: D-5



18. Charging port (back of unit)
19. Battery release (base of unit)

Direct charge

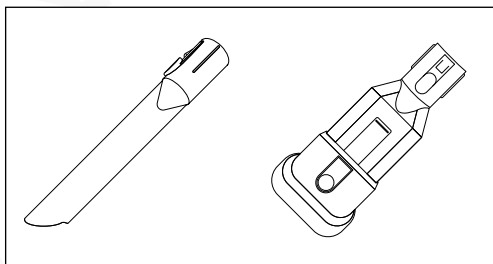
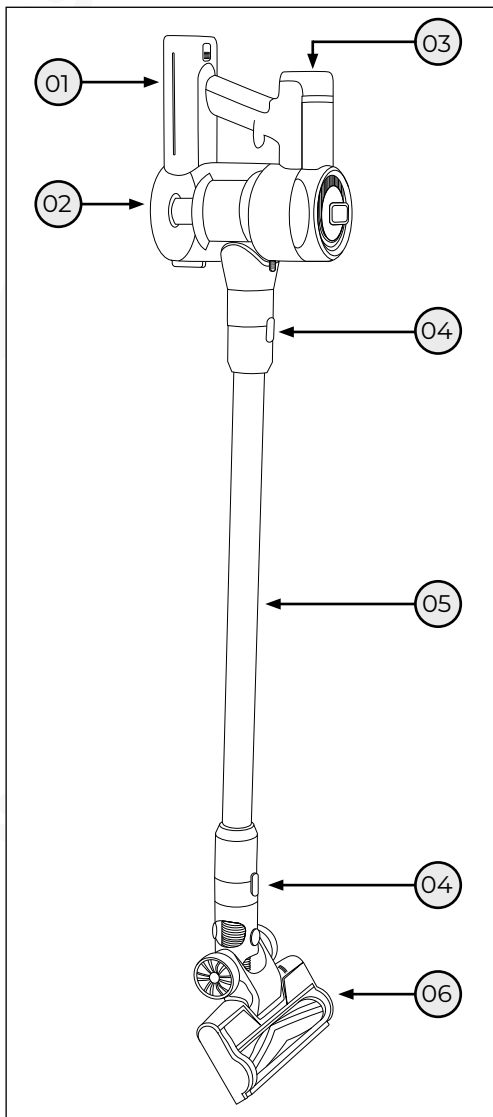
- Plug the power adaptor into the 'Charging port'.
- The 'Battery indicator' will flash to show the charge level.

Battery

- To remove the battery, pull the 'Battery release' and remove the battery from the unit.
- To re-install, line up the contacts and insert the battery, push the battery up into the unit until it clicks into place.

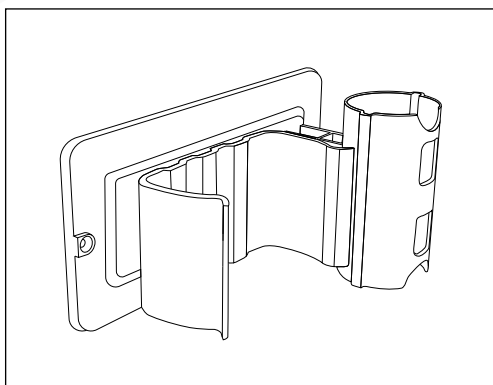
Quick start guide: D-9

Parts guide



Focus tool

Brush tool

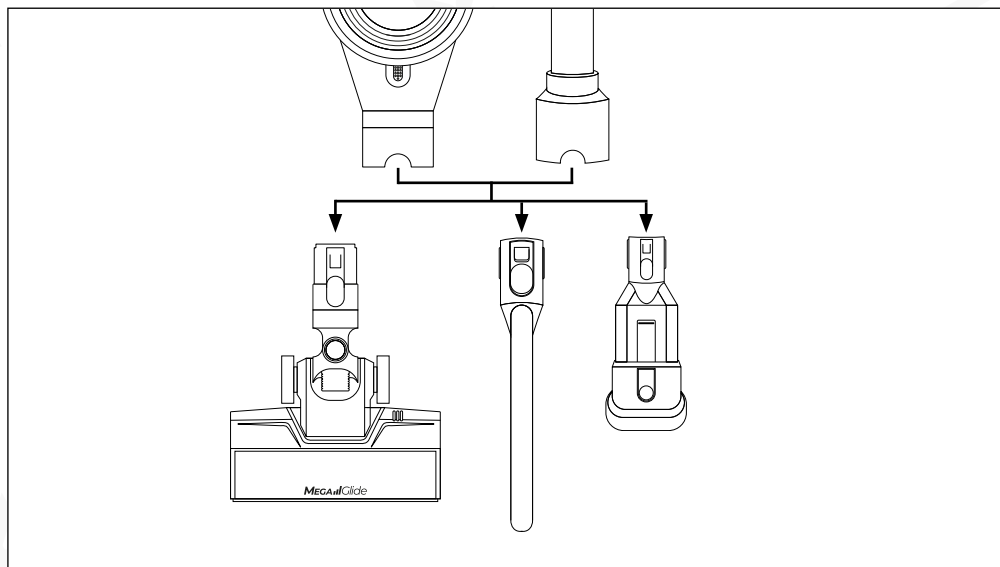


Wall bracket

- 01. Battery
- 02. Dust bin
- 03. Control panel
- 04. V.Link connection
- 05. Extension tube
- 06. MEGA-Glide floor brush

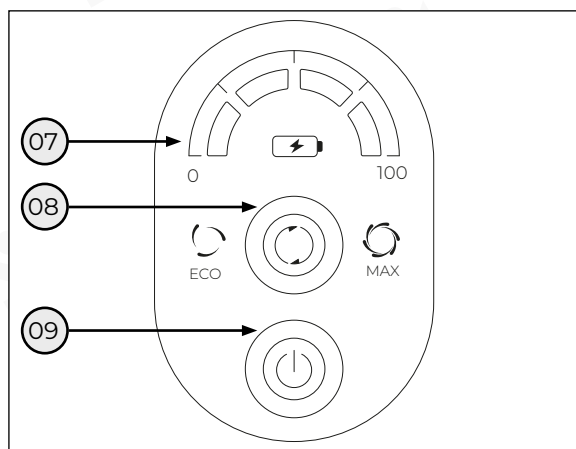
Caution: Make sure the unit is switched off before swapping parts. Make sure attachments are securely locked in place before use.

Assembly and operation



- i** Any of the accessories can be attached to the extension tube or directly to the body giving you a portable and versatile vacuum cleaner, suitable for any situation.

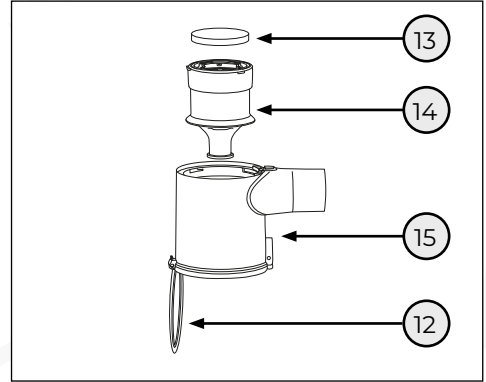
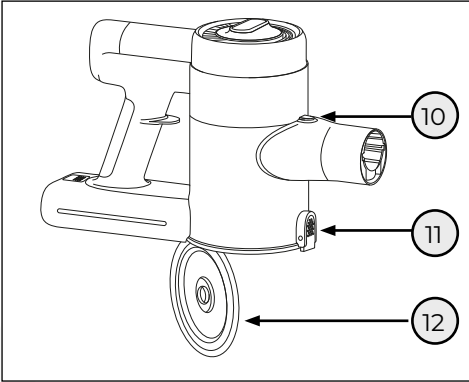
Control panel



07. Battery indicator
08. Speed
09. Power

- Press 'Power' to turn the unit on.
- Press 'Speed' to cycle through Eco, Medium or Max speed.
- Press 'Power' again to turn the unit off.

Emptying and Cleaning: D-9



- 10. Dust bin release
- 11. Lid Lock
- 12. Dust bin lid

- 13. HEPA filter
- 14. Stainless steel pre-filter
- 15. Dust bin

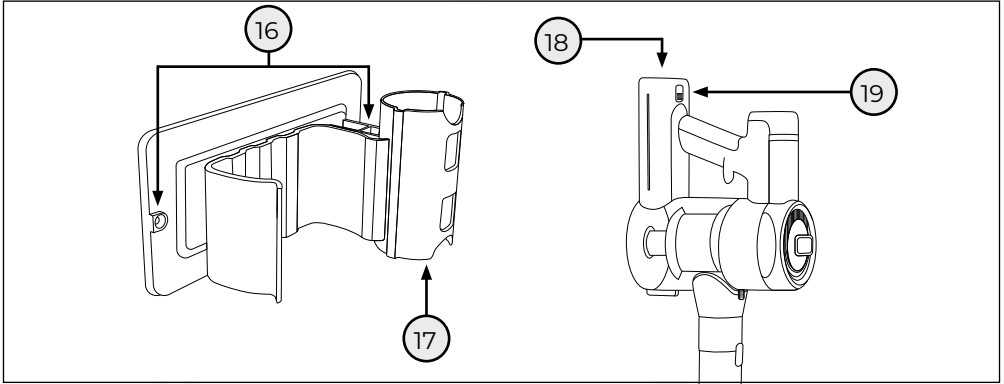
Emptying the dust bin

- For easy emptying, press the 'Dust bin release' and twist the 'Dust bin' to the unlocked position.
- Remove the 'Dust bin' from the main body.
- Press the 'Lid lock' to release the 'Dust bin lid'.

Cleaning the bin/filters

- With the 'Dust bin lid' open, push the 'Stainless steel pre-filter' up and out of the 'Dust bin'.
- Remove the 'HEPA filter' using the tab.
- Wipe the 'Stainless steel pre-filter' and 'Dust bin' with a damp cloth.
- Allow all parts to air dry fully before reassemble.
- Re-insert 'HEPA filter' into top of the 'Stainless steel pre-filter', ensure tab is facing up in correct orientation.
- Slide the 'Stainless steel pre-filter' back into the 'Dust bin', take care to ensure tabs line up and filter is seated fully.
- Close the 'Dust bin lid'.
- Re-attach the 'Dust bin' to the main body and twist to the locked position.

Charging: D-9



16. Mounting holes (x2)

17. Tool storage

18. Charging port (back of unit)

19. Battery release

Wall bracket

- Find a suitable place to mount the 'Wall bracket'.
- Mount the 'Wall bracket' using appropriate screws and wall plugs.

Direct charge

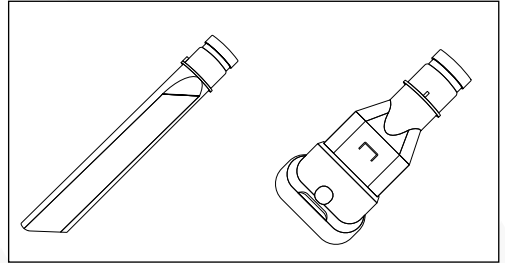
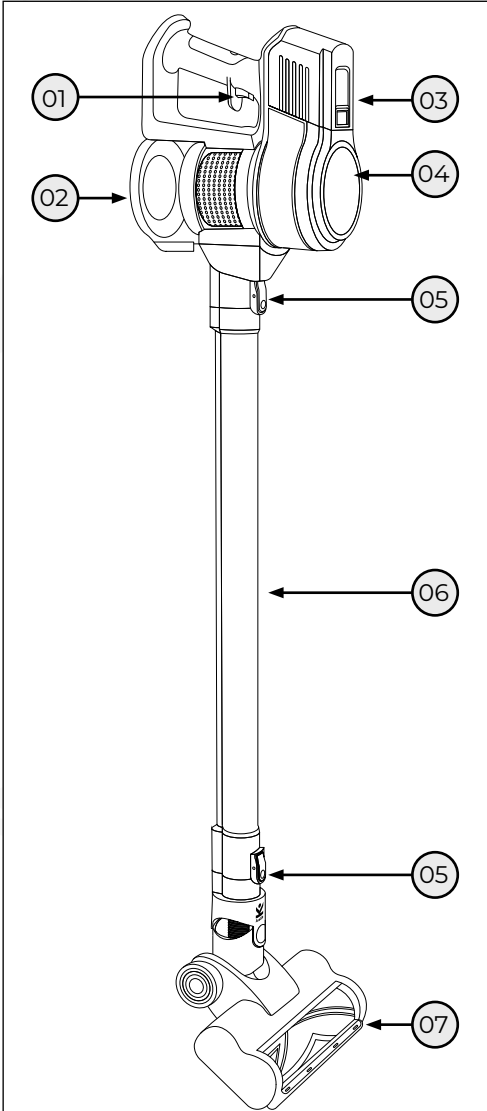
- Plug the power adaptor into the 'Charging port'.
- The 'Battery indicator' will flash to show the charge level.

Battery

- To remove the battery, press the 'Battery release'.
- Slide the battery up to remove it from the main body.
- To re-install the battery, slide the battery down the guides and press into place until it clicks.

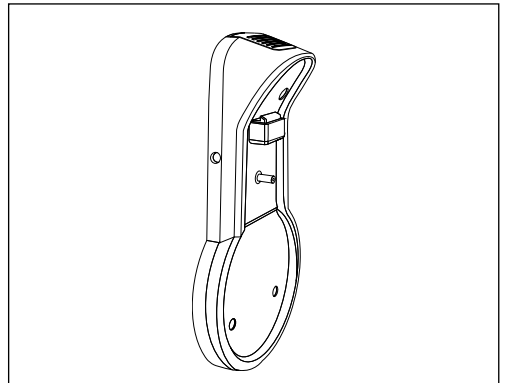
Quick start guide: D-50

Parts guide



Focus tool

Brush tool



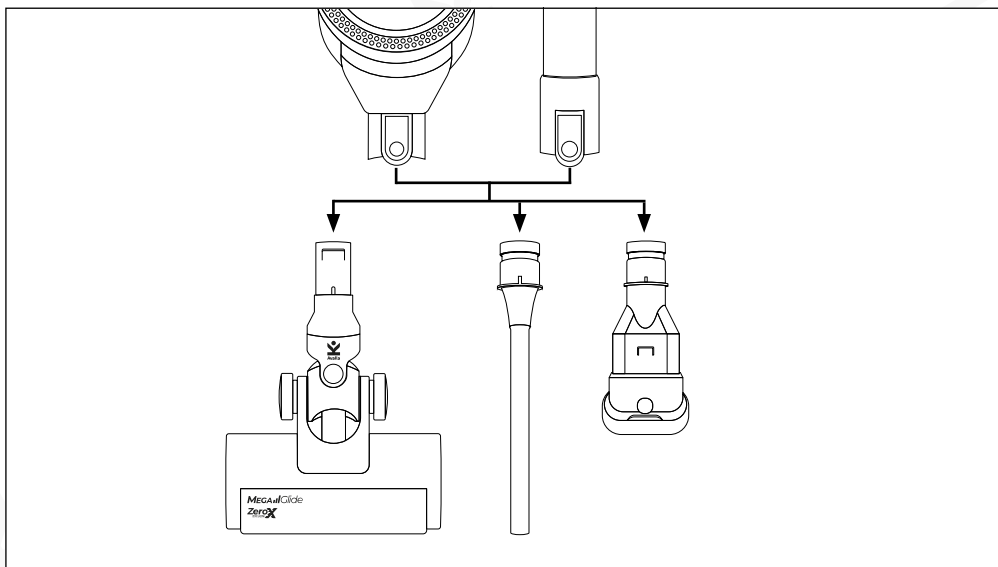
Charging dock

- 01. Power trigger
- 02. Dust bin
- 03. Battery
- 04. Control panel
- 05. T.Link connection
- 06. Extension tube
- 07. MEGA-Glide ZeroX floor brush

Caution: Make sure the unit is switched off before swapping parts. Make sure attachments are securely locked in place before use.

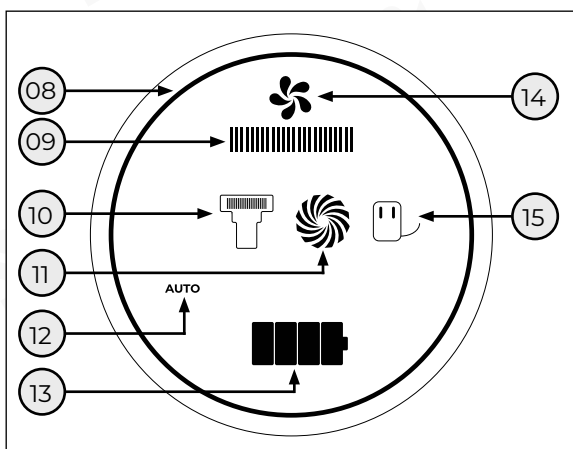
i The 'Floor brush indicator' and 'Blockage indicator' will illuminate under normal operation and flash if there is a blockage. The 'Charging indicator' will illuminate whilst charging and flash if there is charging fault.

Assembly and operation



- i** Any of the accessories can be attached to the extension tube or directly to the body giving you a portable and versatile vacuum cleaner, suitable for any situation.

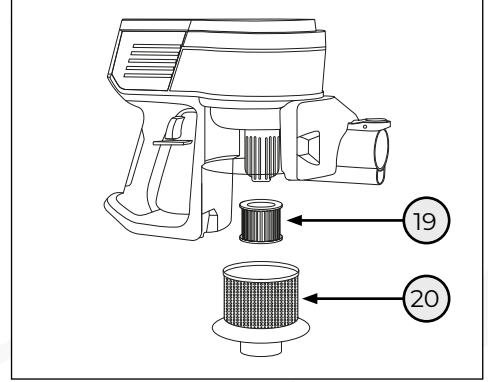
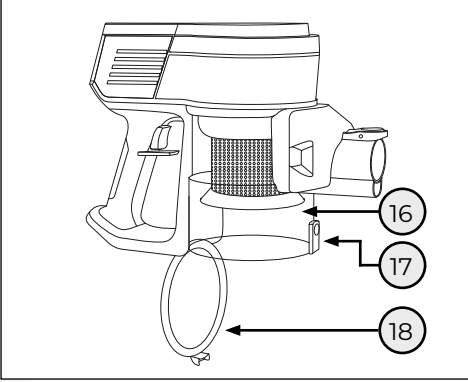
Control panel



- 08. Light bar
- 09. Speed
- 10. Floor brush indicator
- 11. Blockage indicator
- 12. Auto
- 13. Battery indicator
- 14. Power indicator
- 15. Charging indicator

- Press the 'Power trigger' to turn the unit on.
- Press 'Speed' to select low, medium or high speed.
- Press 'Auto' and the vacuum will adjust its speed automatically.
- Press the 'Power trigger' again to turn the unit off.

Emptying and Cleaning: D-50



- 16. Dust bin
- 17. Lock
- 18. Dust bin lid

- 19. HEPA filter
- 20. Stainless steel pre-filter

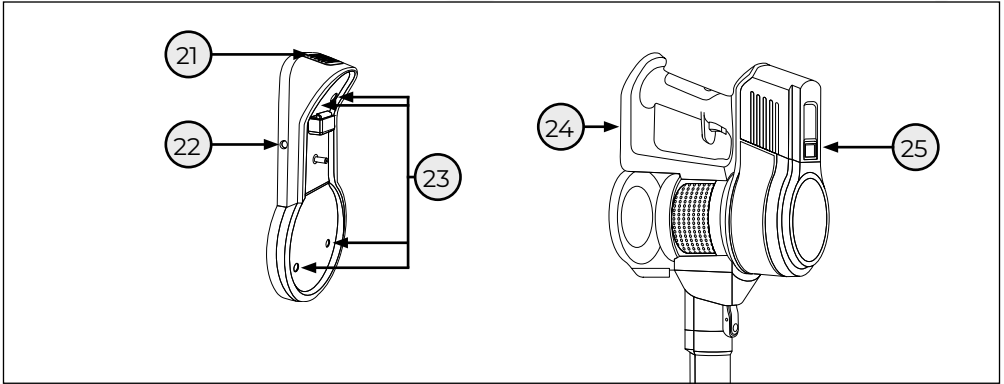
Emptying the dust bin

- Press the 'Lock' to release the 'Dust bin lid'.
- Empty the 'Dust bin'.

Cleaning the bin/filters

- Twist the bottom of the 'Dust bin' anti-clockwise to release.
- Twist the 'Stainless steel pre-filter' anti-clockwise to unlock it.
- Remove the 'Stainless steel pre-filter' and 'HEPA filter'.
- Wipe the 'Stainless steel pre-filter' with a damp cloth.
- The 'HEPA filter' can be brushed off, it should be replaced when heavily soiled.
- Wipe the 'Dust bin' with a damp cloth.
- Air dry all parts before re-assembly.
- Attach the bottom of the 'Dust bin' and twist clockwise to lock.
- Reinsert the 'HEPA filter' into the 'Stainless steel pre-filter'.
- Reinsert the 'Stainless steel pre-filter' into the 'Dust bin', line up the tabs and twist clockwise to lock it.
- Close the 'Dust bin lid'.

Charging: D-50



- 21. Charger release
- 22. Power in
- 23. Mounting holes (x4)

- 24. Charging port (base of unit)
- 25. Battery release

i The D-50 can be charged in two ways; via the wall mounted 'Charging dock' or by plugging the unit in directly.

Charging dock

- Find a suitable place to mount the 'Charging dock'.
- Mount the 'Charging dock' using appropriate screws and wall plugs.
- Plug the power adaptor into the side of the 'Charging dock'.
- To charge the vacuum cleaner clip it into the 'Charging dock'.
- The 'Charging indicator' will illuminate and the 'Battery indicator' will flash to show the charge level.
- To remove the vacuum cleaner from the dock, press the 'Charger release' and the vacuum cleaner will unlock.

Direct charge

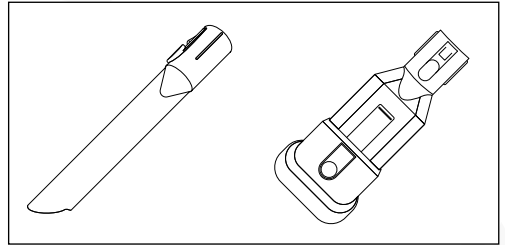
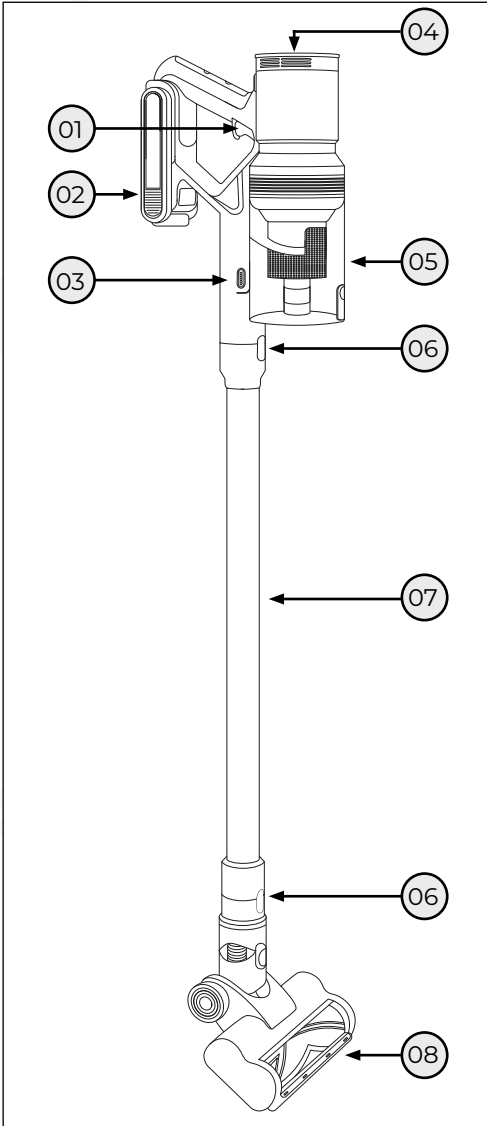
- Plug the power adaptor into the 'Charging port'.
- The 'Charging indicator' will illuminate and the 'Battery indicator' will flash to show the charge level.

Battery

- To remove the battery, pull the 'Battery release' and slide the battery up away from the main body.
- To re-install the battery, slide the battery down the guides and press into place until it clicks.

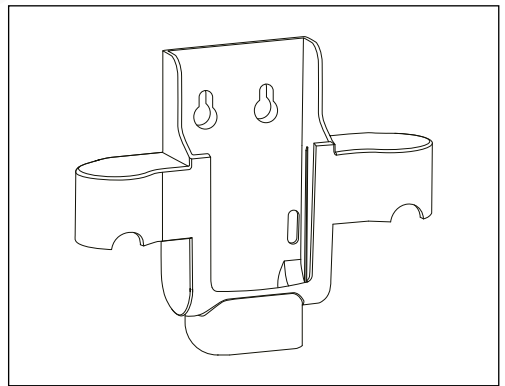
Quick start guide: D-70

Parts guide



Focus tool

Brush tool



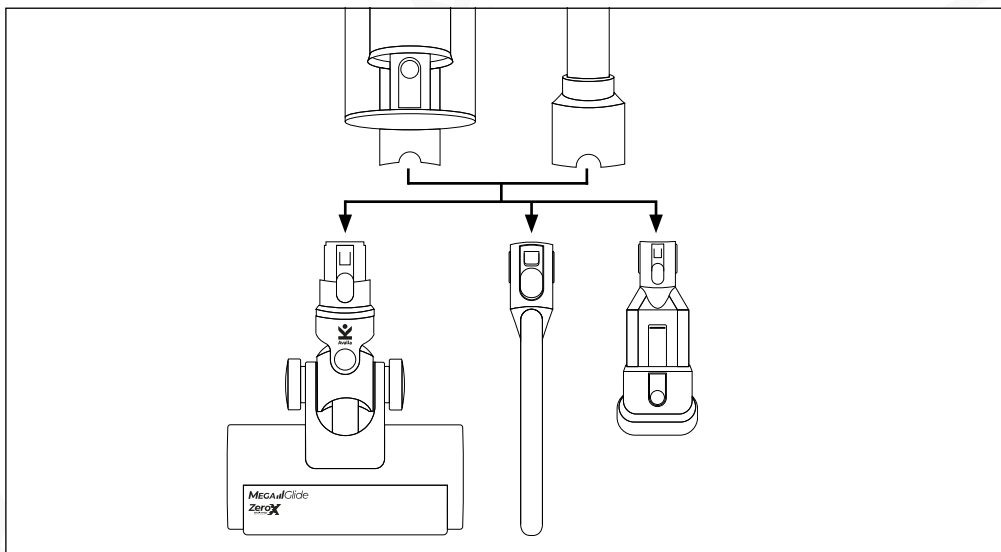
Charging dock

- 01. Power trigger
- 02. Battery
- 03. Dust bin release (on each side)
- 04. Control panel (on top)
- 05. Dust bin
- 06. V.Link connection
- 07. Extension tube
- 08. MEGA-Glide ZeroX floor brush

Caution: Make sure the unit is switched off before swapping parts. Make sure attachments are securely locked in place before use.

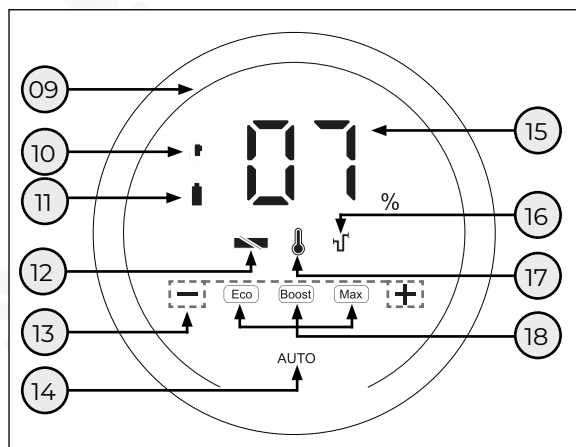
i The 'Floor brush indicator', 'Blockage indicator' or 'Charging fault indicator' will flash if there is a blockage or fault. The 'Charging indicator' will flash whilst charging the battery and illuminate when fully charged.

Assembly and operation



- i** Any of the accessories can be attached to the 'Extension tube' or directly to the body giving you a portable and versatile vacuum cleaner, suitable for any situation.

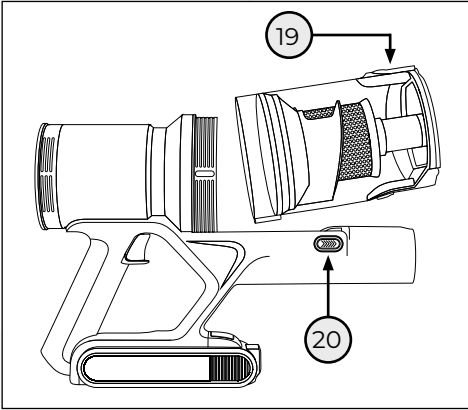
Control panel



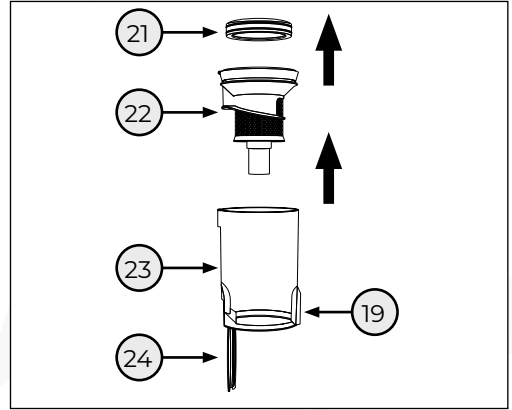
- 09. Light bar
- 10. Charging fault indicator
- 11. Charging indicator
- 12. Floor brush indicator
- 13. +/-
- 14. Auto
- 15. Battery level
- 16. Blockage indicator
- 17. Over heat indicator
- 18. Speed

- Press and hold the 'Power trigger' to turn the D-70 on.
- Press '+/-' to adjust the speed.
There are 3 levels; Eco, Boost and Max
- Press 'Auto' and the vacuum cleaner will adjust its speed automatically.
- Press the 'Power trigger' to turn the D-70 off.

Emptying and Cleaning: D-70



- 19. Lid lock
- 20. Dust bin release
(one on each side)
- 21. HEPA filter



- 22. Stainless steel pre-filter
- 23. Dust bin
- 24. Dust bin lid

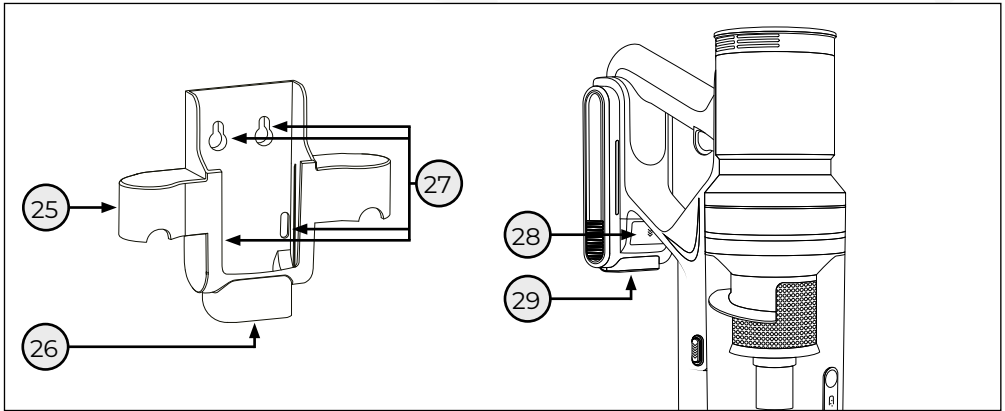
Emptying the dust bin

- For easy emptying, press the 'Dust bin release' and lift the 'Dust bin' up and away from the main body.
- Press the 'Lid lock' to release the 'Dust bin lid'.

Cleaning the bin/filters

- With the 'Dust bin lid' open, push the 'Stainless steel pre-filter' up and out of the 'Dust bin'.
- Remove the 'HEPA filter' using the tab.
- Wipe the 'Stainless steel pre-filter' and 'Dust bin' with a damp cloth.
- Allow all parts to air dry fully before reassemble.
- Re-insert 'HEPA filter' into top of 'Stainless steel pre-filter', ensure tab is facing up in correct orientation.
- Slide the 'Stainless steel pre-filter' back into the 'Dust bin', take care to ensure tabs line up and filter is seated fully.
- Re-attach 'Dust bin' to main body, slide the 'Dust bin' onto the body and press down until it clicks into place.

Charging: D-70



25. Tool storage

26. Power in

27. Mounting holes (x4)

28. Battery release

29. Charging port (base of unit)

Wall mount

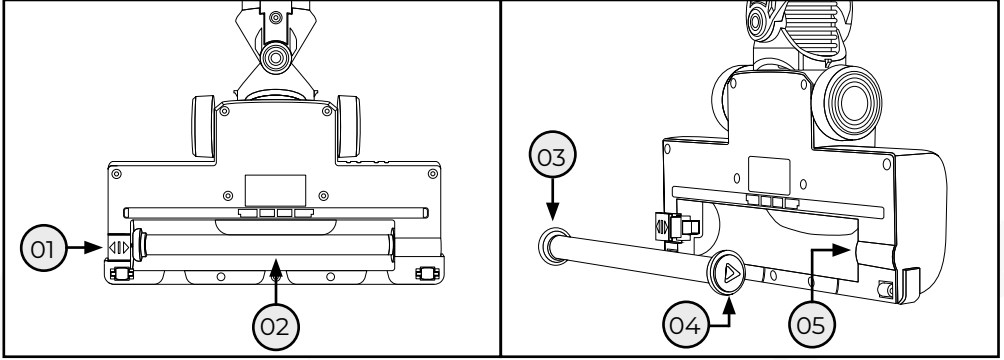
- Find a suitable place to mount the 'Charging dock'.
- Mount the 'Charging dock' using appropriate screws and wall plugs.
- To charge the D-70 slide it down into the 'Charging dock'.
- The charging indicator will flash.
- To remove the D-70, slide it up and out of the 'Charging dock'.

Battery

- To remove the battery, press the 'Battery release' and slide forwards away from the main body.
- To re-install the battery, slide it down the guides until it clicks into place.

Cleaning

MEGA-Glide head D-3



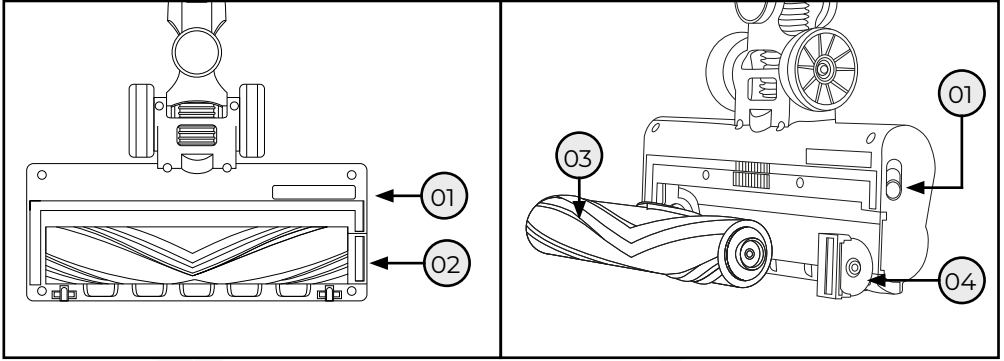
- 01. Roller lock
- 02. Roller
- 03. End cap

- 04. Socket
- 05. Motorised axle

- Slide the 'Roller lock' to unlock the 'Roller'.
- Remove the 'Roller' by lifting the free end.
- Remove the 'End cap'.
- Remove any debris from the 'Roller'.
- Clean the inside of the MEGA-Glide head with a damp cloth.
- Allow all parts to air dry fully before re-assembly.
- Reinstall the 'End cap' and insert the 'Roller' into the MEGA-Glide head.
- Line up the triangle 'Socket' with the 'Motorised axle'.
- Slide the 'Roller lock' back in to lock the 'Roller'.

Wipe the MEGA-Glide with a damp cloth, dry thoroughly before use.
Do not immerse in water.
Do not use harsh chemicals as this may damage the MEGA-Glide.

MEGA-Glide head D-5



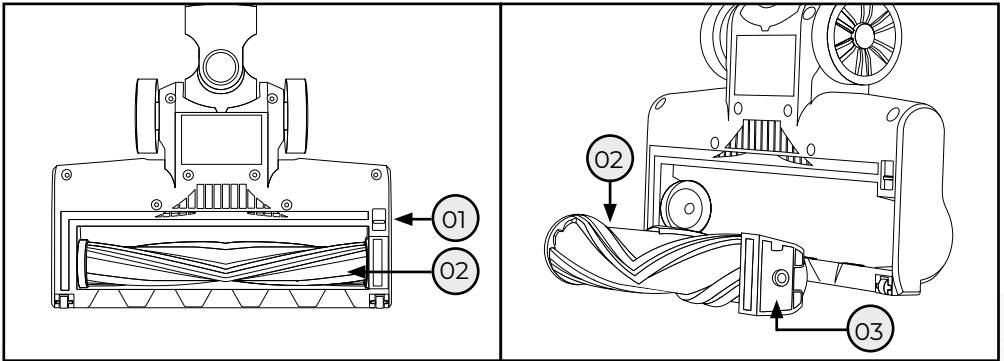
01. Lock switch
02. Roller lock

03. Roller
04. End cap

- Pull the 'Lock switch' back, lift the 'Roller lock'.
- Lift the free end and pull the 'Roller' out of the MEGA-Glide head.
- Remove the 'End cap'.
- Remove any debris from the 'Roller'
- Wipe the inside of the MEGA-Glide head with a damp cloth.
- Allow all parts to dry fully before assembly.
- Reattach the 'End cap' and insert the 'Roller', take care to line up the 'End cap' with the flat edge facing up.
- Push the 'Roller lock' until it clicks into place.

Wipe the MEGA-Glide with a damp cloth, dry thoroughly before use.
Do not immerse in water.
Do not use harsh chemicals as this may damage the MEGA-Glide.

MEGA-Glide head D-9



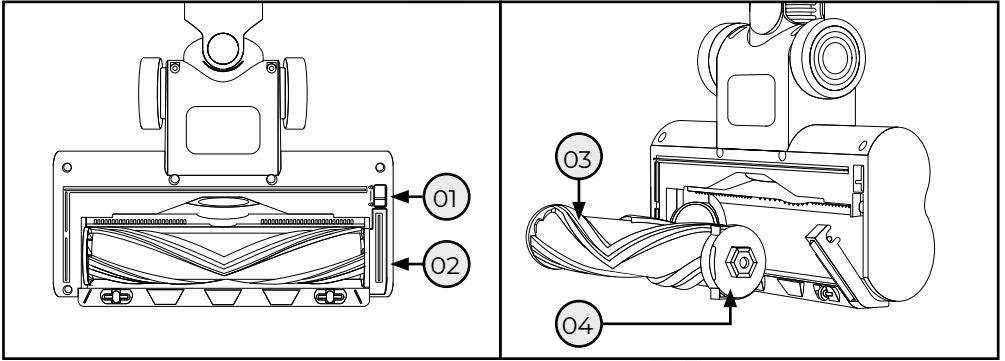
01. Lock switch
02. Roller

03. End cap

- Pull the 'Lock switch' back.
- Lift the free end and pull the 'Roller' out of the MEGA-Glide head.
- Remove the 'End cap'.
- Remove any debris from the 'Roller'
- Wipe the inside of the MEGA-Glide head with a damp cloth.
- Allow all parts to dry fully before assembly.
- Reattach the 'End cap' and insert the 'Roller', take care to line up the 'End cap' with the flat edge facing up.
- Push the 'Roller' until it clicks into place.

Wipe the MEGA-Glide with a damp cloth, dry thoroughly before use.
Do not immerse in water.
Do not use harsh chemicals as this may damage the MEGA-Glide.

MEGA-Glide ZeroX head D-50/D-70



01. Lock switch
02. Roller lock

03. Roller
04. End cap

- Pull the 'Lock switch' back and lift the 'Roller lock'.
- Lift the free end and pull the 'Roller' out of the MEGA-Glide head.
- Remove the 'End cap'.
- Remove any debris, wipe the 'Roller' with a damp cloth.
- Wipe the inside of the MEGA-Glide head with a damp cloth.
- Allow all parts to dry fully before assembly.
- Reattach the 'End cap' and insert the 'Roller', take care to line up the 'End cap' with the flat edge facing up.
- Close the 'Roller lock' pushing it in until it clicks.

Wipe the MEGA-Glide with a damp cloth, dry thoroughly before use.
Do not immerse in water.
Do not use harsh chemicals as this may damage the MEGA-Glide.

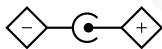
Health and safety

General safety instructions

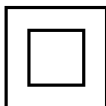
Symbols from the unit, packaging and instruction manual



Read the instruction manual



Coaxial power connector



Class II Double Insulated



European Conformity



Indoor use only


The following must always be observed for safety

- This appliance is not intended to be used by children, keep it away from children. Persons with lack of experience or knowledge, reduced physical, sensory, or mental capabilities, can use this appliance if they have been given supervision or instruction concerning use of the appliance in a safe way.
- When in use never turn the appliance over on its side.
- Component parts must only be replaced with identical repair parts.
- The appliance must be disconnected from its power source during servicing, cleaning or when not in use. Do not use chemicals to clean the appliance.
- Always charge the unit from power outlet of equal voltage, frequency and rating as indicated on the product identification plate.
- Do not operate with wet hands. Be careful not to allow any sources of water, moisture, or any other liquids to come into contact with any areas of the unit.
- Do not leave the unit running unattended.
- Do not unplug by pulling on the power cord, use cord as a handle, close a door on cord, or pull cord around sharp edges or corners. Do not run the appliance over the cord. Keep the cord away from heated surfaces.
- Do not put objects on the unit, climb or sit on the unit.
- Do not operate the unit if it is dropped, damaged or showing signs of product malfunction.
- The unit must be installed in accordance with national wiring regulations.
- The appliance must be stored in a manner to prevent mechanical damage.
- Do not place in direct sunlight or near objects that may cause mechanical vibration or shock.
- Do not use the appliance where combustible / flammable gases or vapours are present.
- Do not use the appliance to pick up water or other liquids. Do not use the appliance to pick up anything that is hot, burning or smoking.
- Do not use the appliance outdoors, it is designed only for indoor use.
- When cleaning the exterior of the appliance, unplug the power cord from the electrical outlet, remove the battery and clean the appliance with a dry or damp cloth.
- Extreme caution should be exercised when using the appliance to clean stairs.
- Keep your work area well lit.
- Store appliance indoors in a cool, dry place.
- To avoid circuit overload, do not operate another appliance on the same socket (circuit) as the appliance.
- If the supply cord is damaged, it must be replaced by the manufacturer, its

- service agent or similarly qualified persons in order to avoid a hazard.
- It is always recommended to test an isolated area of the surface to be cleaned before proceeding. We also recommend that you check the use and care instructions from the floor manufacturer.
- Only use genuine Avalla accessories, designed for your specific model.
- Do not use batteries that have been damaged or modified. Damaged or modified batteries pose a risk of fire or explosion. Do not expose the battery pack or appliance to fire or excessive temperatures.
- Under normal operating conditions the battery packs pose no safety concerns. Damaged or exhausted batteries must be disposed of according to local regulations.
- Remove the battery pack from the appliance before storing for long periods of time. Keep battery contacts clear of metal objects that may short the battery. Shorting the battery contacts may cause burns or a fire.

Connection to power supply

Caution: Risk of electric shock. Do not open.

- This appliance is supplied with a moulded 3 pin mains plug for your safety. The value of the fuse fitted is marked on the pin face of the plug. The plug is not user serviceable.
- If a replacement plug is to be fitted this must be carried out by a qualified electrician.
- The damaged or incomplete plug, when cut from the cable should be disabled to prevent connection to a live electrical outlet.
- This appliance is Class II and is designed for connection to a power supply matching that detailed on the rating label and compatible with the plug fitted.
- If an extension lead is required, use an approved and compatible lead rated for this appliance. Follow all the instructions supplied with the extension lead.
- Double insulated : This product requires no earth connection as supplementary insulation is applied to the basic insulation to protect against electric shock in the event of failure of the basic insulation.

Important: If using an extension lead, follow the instructions that came with your lead regarding maximum load while cable is wound. If in doubt, ensure that the entire cable is unwound. Using a coiled extension lead will generate heat which could melt the lead and cause a fire.

Failure to abide by any of these warnings could result in a fire, explosion, electric shock, injury, death, and property damage.

Disposal



The adjacent symbol of a crossed-out wheeled bin indicates that this device is subject to Directive 2012/19/EU. This directive states that you must not dispose of this device with your general household waste at the end of its working life, but rather take it to a specially established collection point, recycling centre or waste disposal company. This disposal is free of charge for you. Protect the environment and dispose of it properly.

Troubleshooting

Issue	Solution
Unit does not turn on	Ensure battery is charged. Ensure battery is correctly fitted.
Poor suction	Check dustbin is not full. Check filters are not clogged. Check for blockages. Check battery is charged.
MEGA-Glide brush head does not rotate	Check for blockages in brush head. Check dust bin is not full. Ensure brush head is connected properly.

Specifications

	D-3	D-5	D-9	D-50	D-70
Max suction	11 kPa	18 kPa	23 kPa	23 kPa	26 kPa
Max runtime	30 mins	32 mins	50 mins	50 mins	50 mins
Capacity	600 ml	500 ml	600 ml	600 m	600 ml
Battery capacity	2200 mAh	2000 mAh	2000 mAh	2000 mAh	2000 mAh
Power	150W	250W	300W	300W	300W
Weight	1.8 Kg	1.6 Kg	2.2 Kg	2.2 Kg	2.5 Kg

Avalla Ltd. Unit A 73, Common Road, Chandler's Ford,
Eastleigh, SO53 1HE. United Kingdom
Company no. 13477899
support@avalla.com