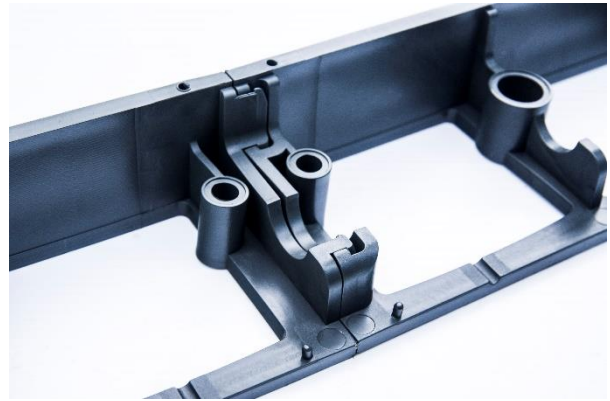




## Recycled Plastic Garden Edging

**HD Edging System  
60/80mm  
Black  
100cm Lengths**



<b>Type of landscape edging:</b>	<b>SB 45/SB 60/SB 80</b>
<b>material:</b>	PP & PE obtained from recycling (plastic pellets free from heavy metals)
<b>measurements (length/width of the base/height):</b>	100x8x4,5 cm/100x8x6 cm/100x8x8 cm
<b>colour:</b>	black
<b>height:</b>	45 mm/60 mm/80 mm
<b>weight/unit:</b>	392 gr/465 gr/563 gr
<b>required amount per linear meter:</b>	1 unit
<b>wall thickness:</b>	6 mm
<b>temperature range:</b>	- 50 °C to 90°C
<b>durability:</b>	min. 20 years
<b>resistant to other materials:</b>	road salt, ammonia, alkali, alcohol, oil, gasoline, acid rains, frost (*not applicable to colour)
<b>landscape edgings construction:</b>	ribbed profile reinforcement, one-meter sections, integrated connection system, profile for a drip line, universal holes for anchoring pins and spikes
<b>application:</b>	universal in gardening, road infrastructure
<b>environmental impact:</b>	neutral

April 17, 2024

Spudulica Home & garden Ltd, Crystal House, Wirral, CH44 7ER 0151-515-1415