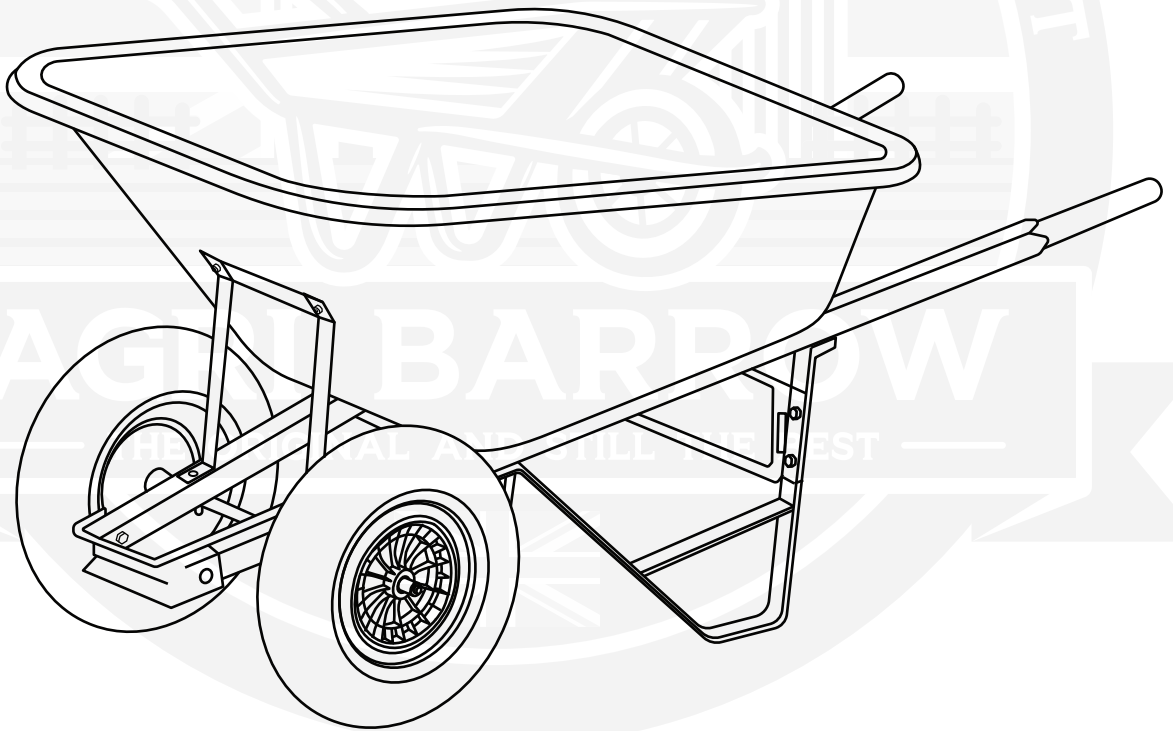


Agri Barrow 200 Litre Twin



Assembly Instruction

www.agribarrow.com

About Agri Barrow™

At **Agri Barrow™**, we're proud to design and deliver high-performance wheelbarrows built for everyday reliability — whether you're in the garden, on the farm, or managing heavy-duty site work.

All our barrows are engineered with a focus on **durability, ease of use, and long-lasting materials**. We believe in products that work hard, last longer, and make your job easier. That's why every Agri Barrow™ is backed by our **Lifetime Warranty** — your guarantee of quality, strength, and peace of mind.

Register for Lifetime Warranty

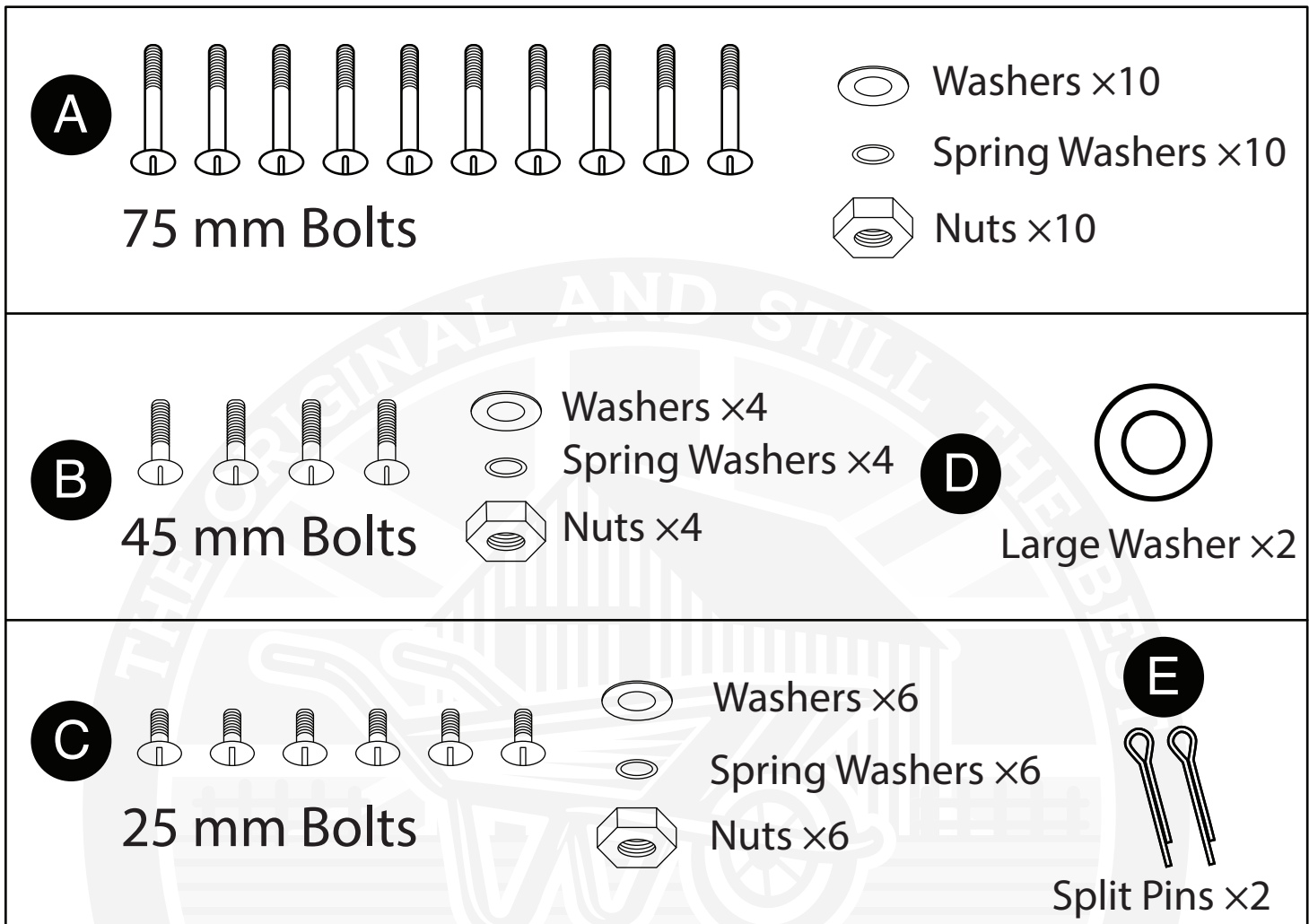
Activate your **Agri Barrow™ Lifetime Warranty** and unlock full product support by registering your purchase at:
www.agribarrow.com/register STILL THE BEST

It only takes a moment and ensures your barrow is protected for life.

Enjoy a Free Gift On Us!

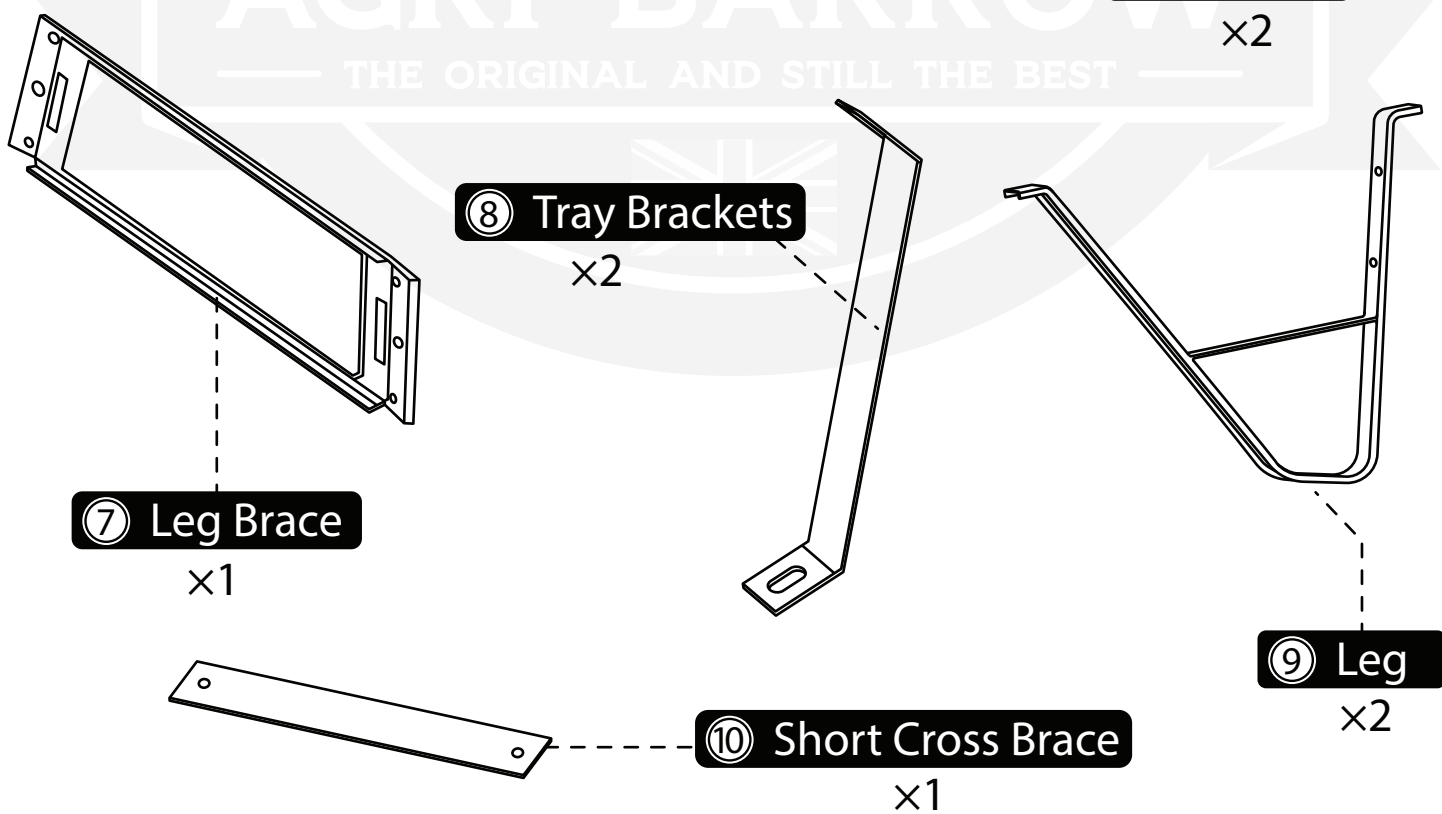
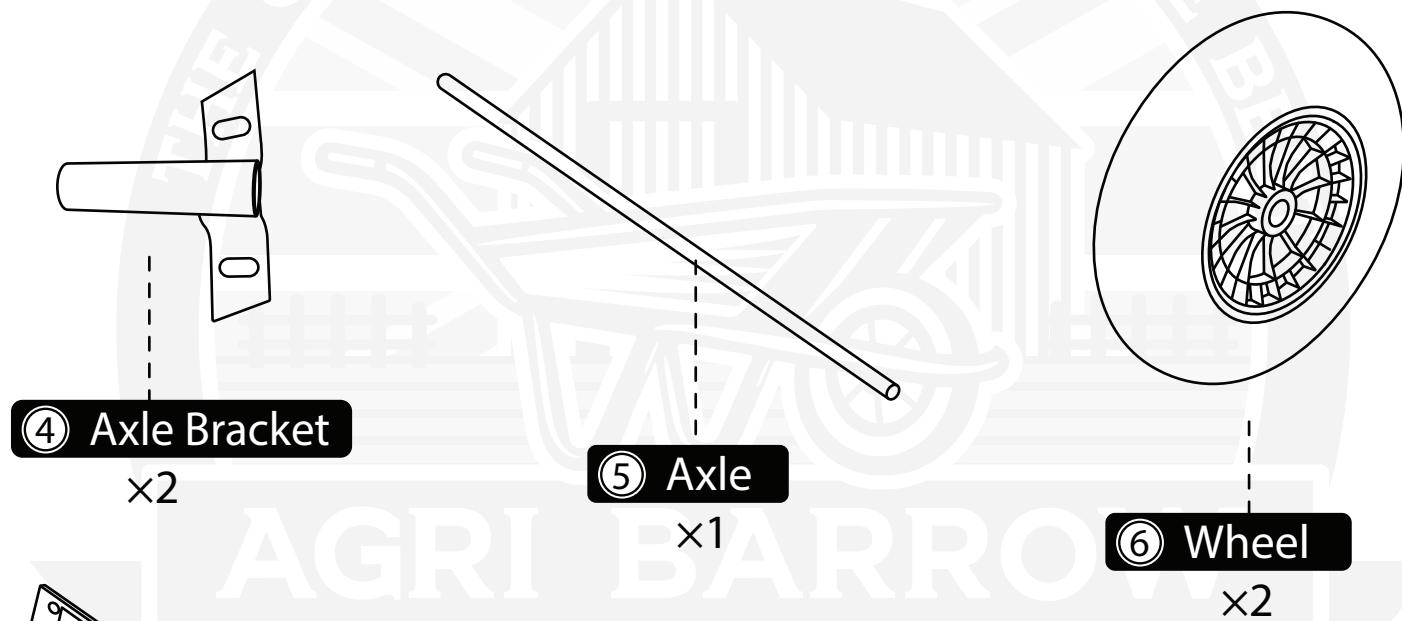
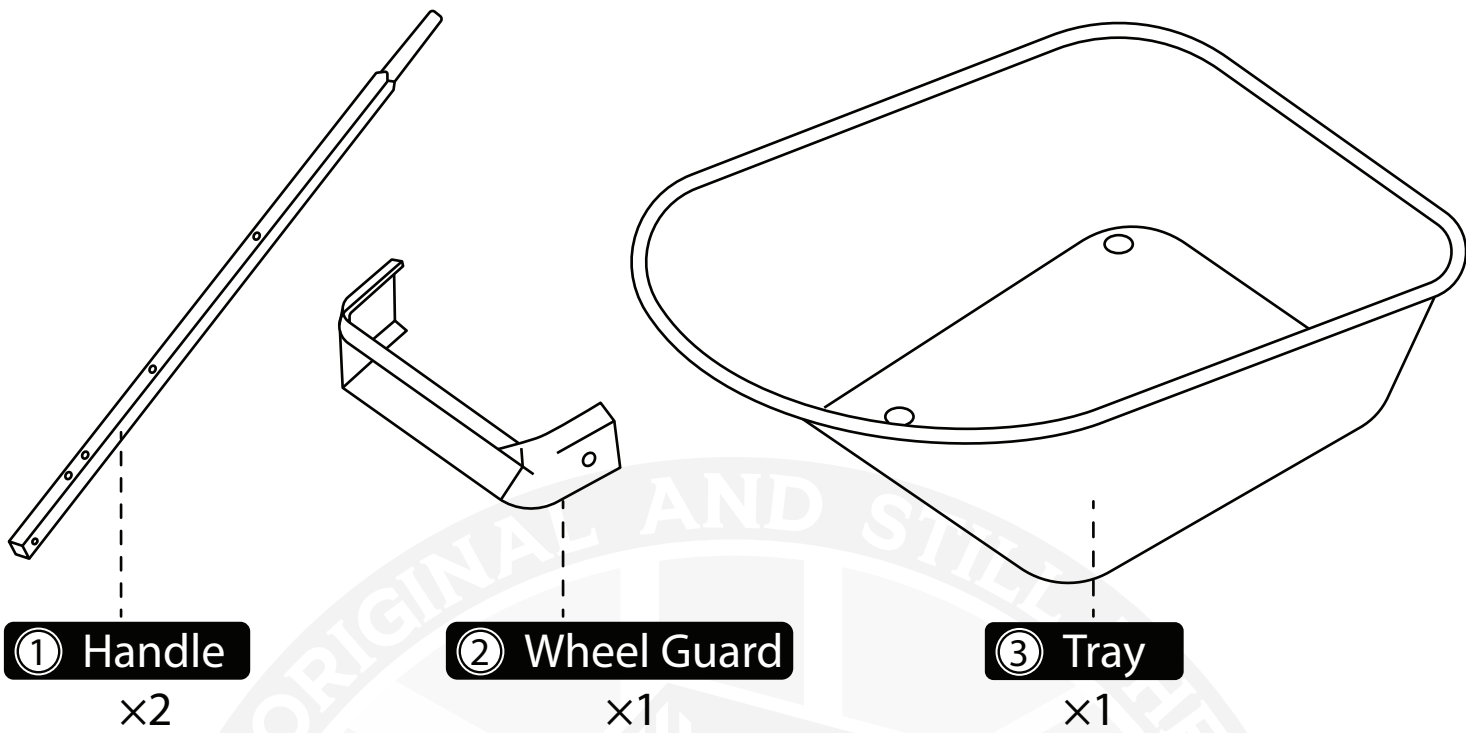
We'd love to hear what you think! Leave us a **review or send in a video** of your Agri Barrow™ in action, and we'll send you a **FREE Agri Barrow™ Waterproof Cover (RRP £19.99)** as a thank you.

Screws and Nuts: A Quick Overview



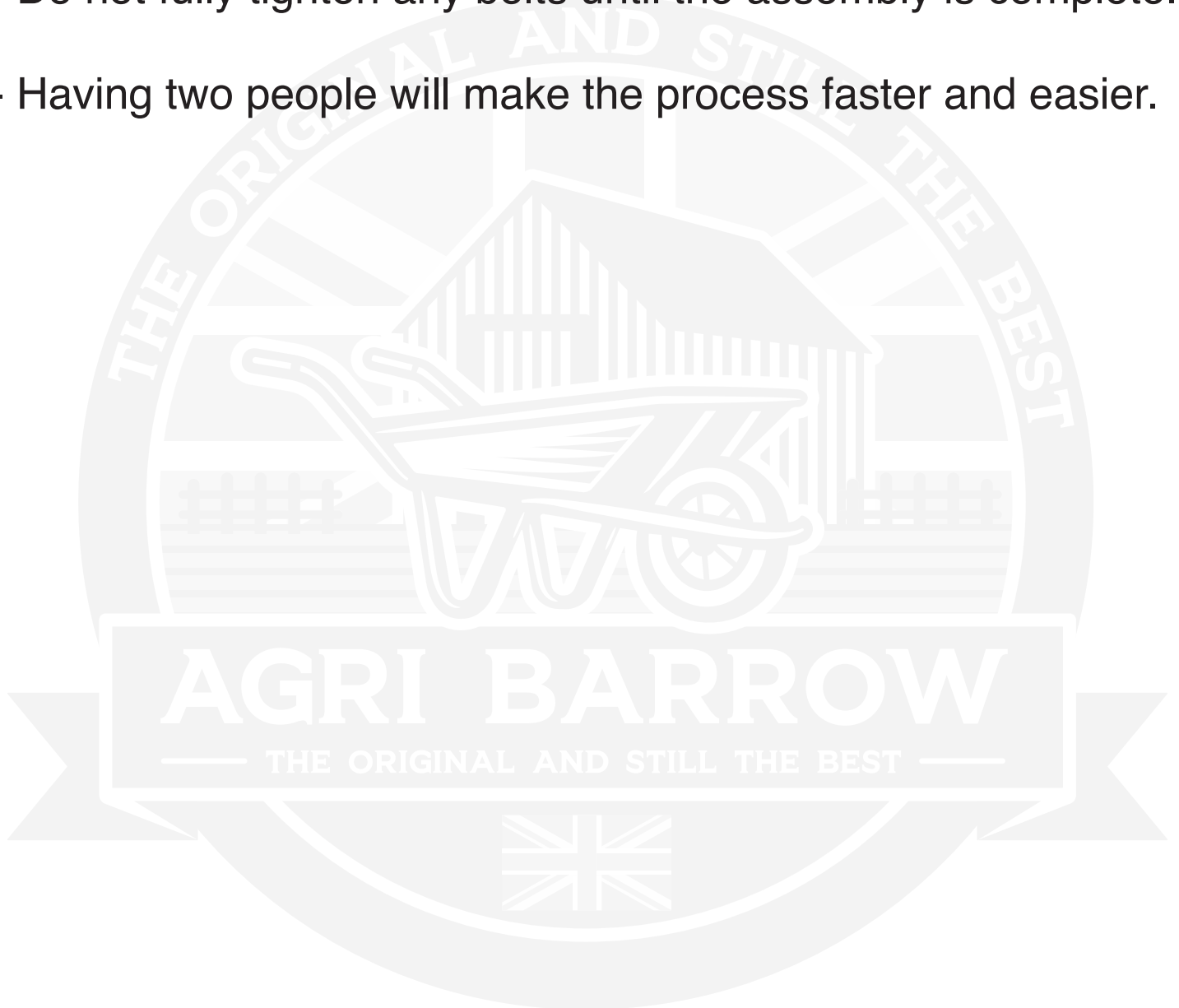
Components

1. Handle ×2
2. Wheel Guard ×1
3. Tray ×1
4. Axle Bracket ×2
5. Axle ×1
6. Wheel ×2
7. Leg Brace ×1
8. Tray Brace ×2
9. Leg ×2
10. Short Cross Brace ×1



Before You Begin Assembly:

- Work on a flat, stable surface.
- Use a 13mm spanner or socket.
- Do not fully tighten any bolts until the assembly is complete.
- Having two people will make the process faster and easier.

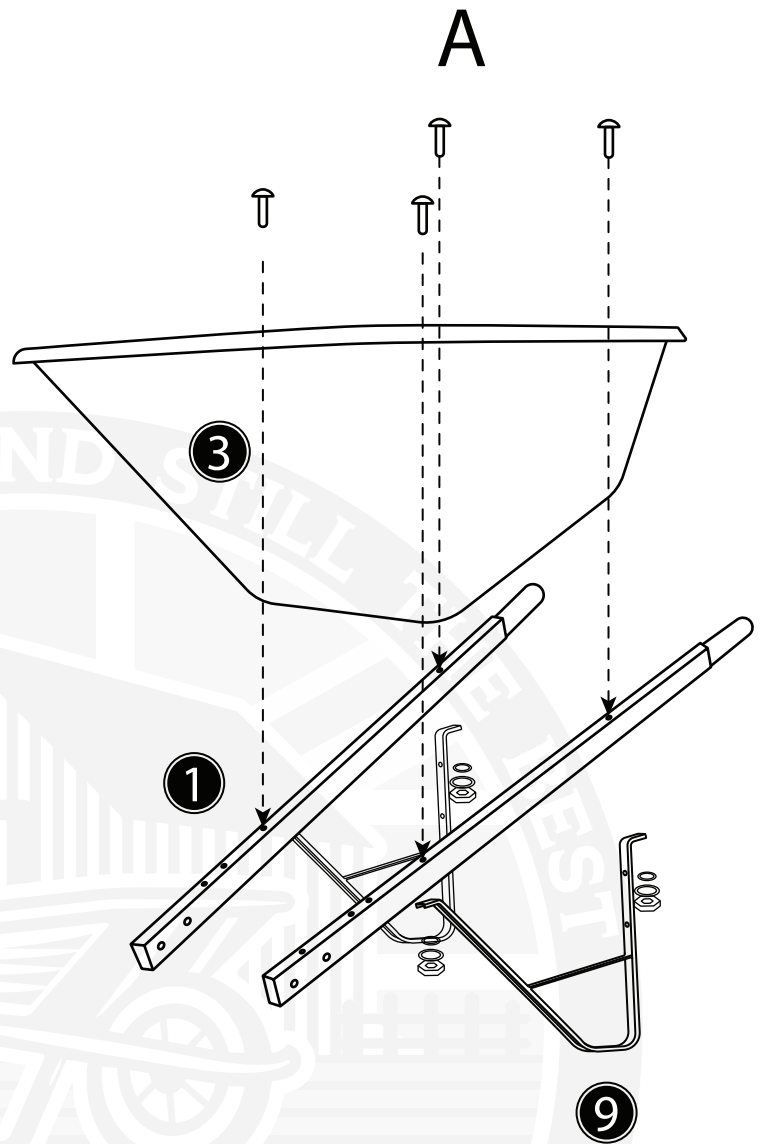


Step 01

Align Handle (1) onto the Tray, ensuring that the handles are positioned towards the back end.

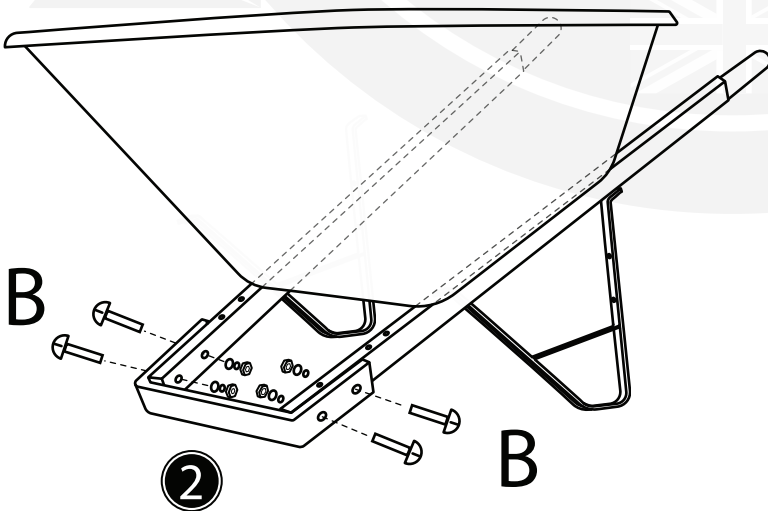
Place the legs on top of the Handle, making sure the leg brace holes are facing the rear of the base.

Align all bolt holes and securely fasten both the legs and Handle to the plastic base using four 75mm nuts and bolts (A).



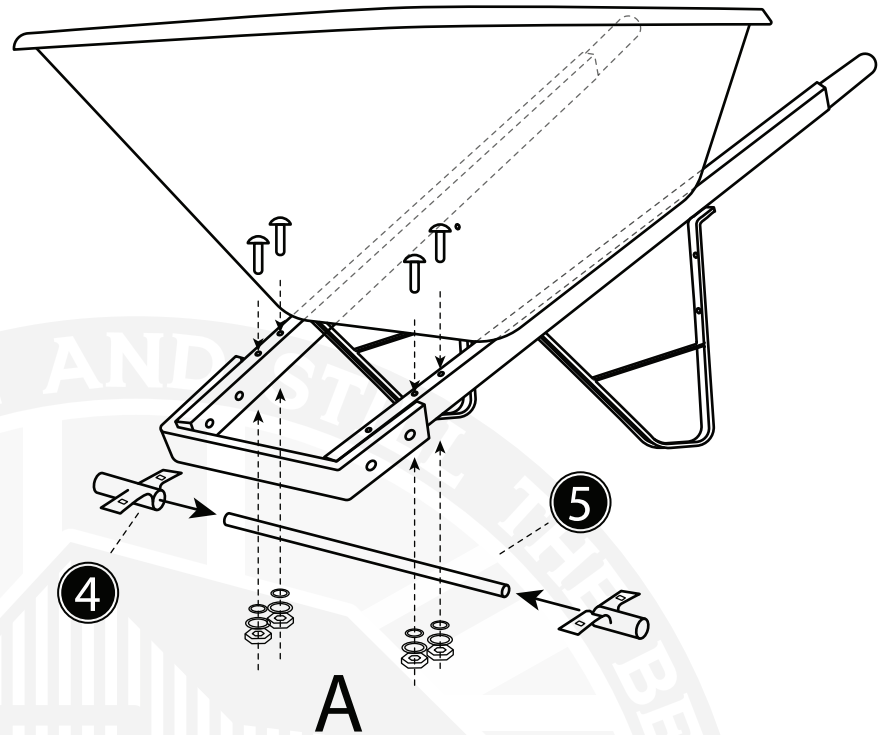
Step 02

Secure the Wheel guard (2) to the front of the Handles using four 45mm (B) nuts and bolts inserted through the sides.



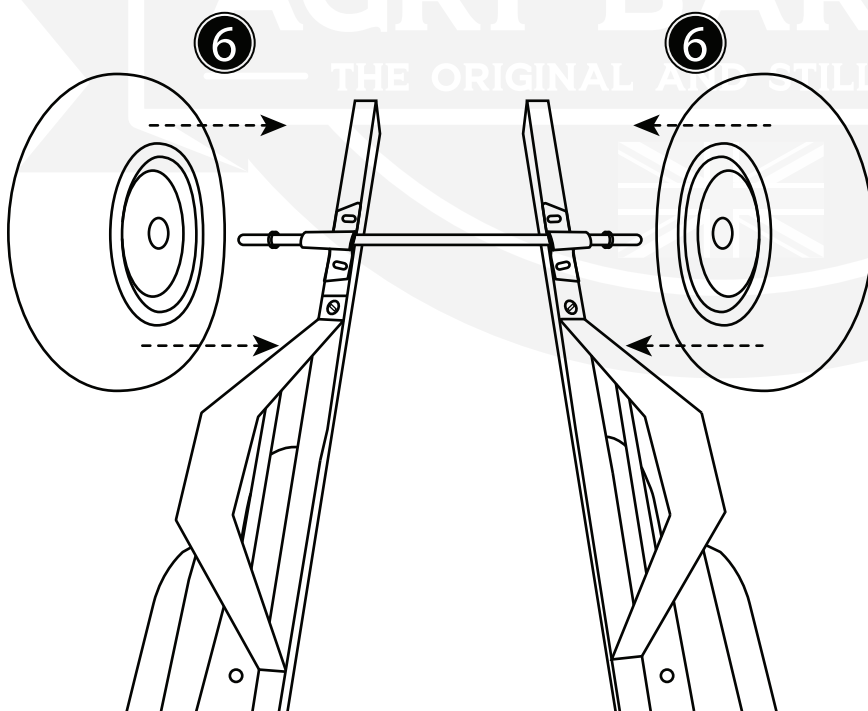
Step 03

Fasten the axle (5) to the bottom of the front arms using four 75mm (A) nuts and bolts. Keep the nuts and bolts loose until the assembly is complete. Make sure the axle brackets have their large faces pointing outward toward the wheels, and push them out as far as possible before tightening.



Step 04

Slide the wheels (6) onto each end of the axle.

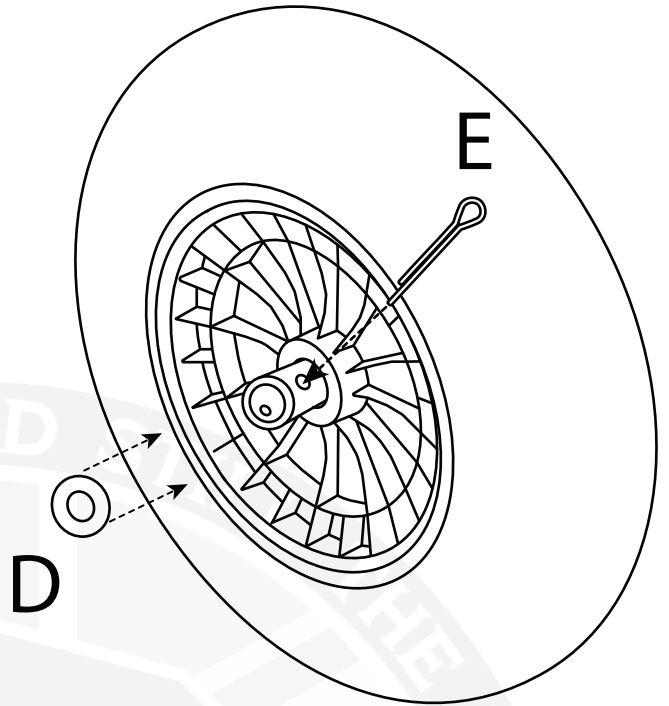


Step 05

First, secure the wheel in place by installing the washer (D), followed by the split pin(E).

Next, insert the split pin into the designated holes and bend both ends outward to lock it in place.

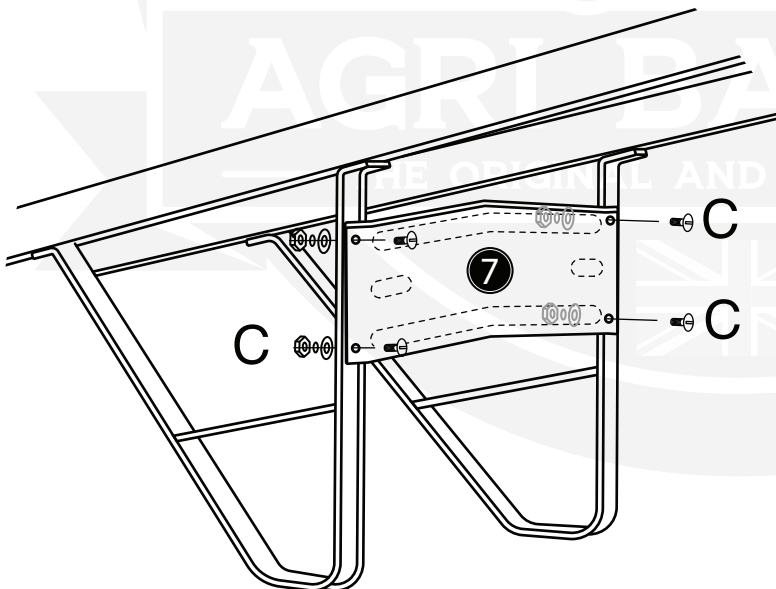
Repeat the process for the other wheel.

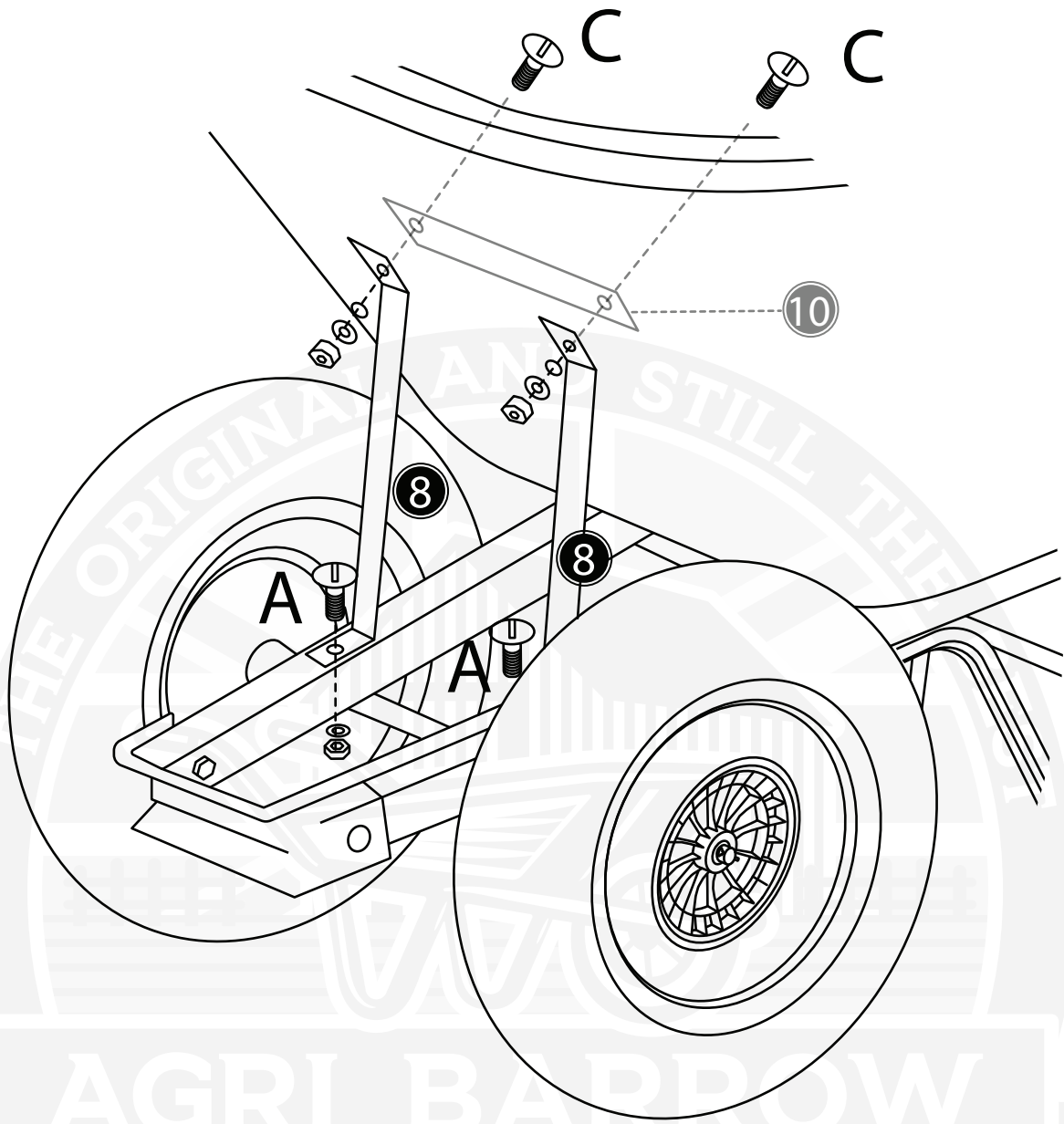


Step 06

Position the leg brace (7) on the back side of the legs.

Align the holes and secure it using four 25mm (C) nuts and bolts.





Step 07

Attach the bottom side of the tray brackets (8) to the legs using two 75mm (A) nuts and bolts.

Position the Short Cross Brace (10) along with the other ends of the tray brackets onto the plastic base, then secure them together using two 25mm (C) nuts and bolts.