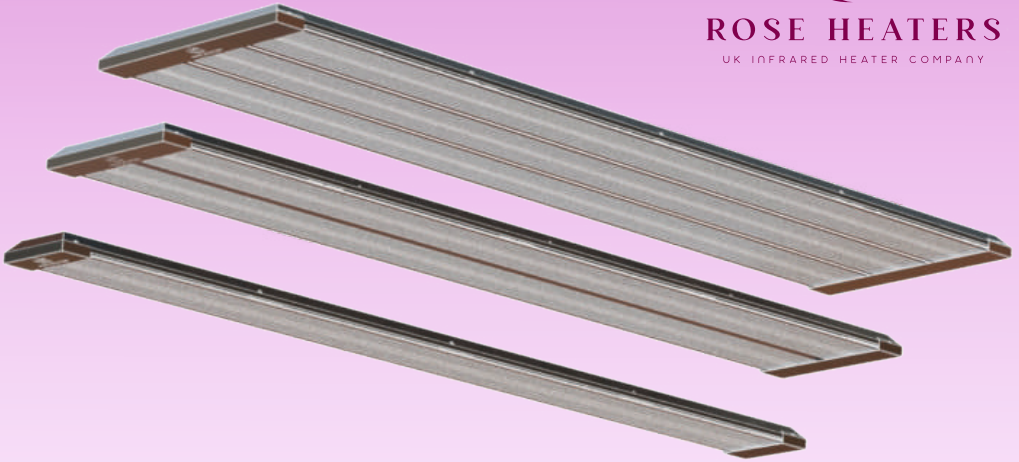


English



ROSE HEATERS
UK INFRARED HEATER COMPANY




User Manual

Infrared Aluminum Heater

R-Pro 500, R-Pro 800, R-Pro 000, R-Pro 1300,
R-Pro 1600, R-Pro 2000, R-Pro 2600,
R-Pro 3000, R-Pro 4000

Thank you for purchasing our INFRARED ALUMINUM HEATER. We hope it meets all the expectations in keeping you warm.

Please read the following instructions carefully before using this product, and pay special attention to the section with this “  ” symbol.

- The heater may get very hot!
- Failure to follow the instructions could result in serious injury or damage to the heater.
- Please pay special attention to the heater if children or vulnerable people are present in the room. It should not be used by them or persons who lack experience or knowledge unless supervised or instructed by a person responsible for their safety.
- This heater is an electrical device and just like any, must be protected from external impact, dust and moisture. Please be extra careful with the heat radiating plate.
- The heater must be connected to a separate power source:
 - R-Pro 500, 800, 1000, 1300, 1600, 2000, 2600 voltage - 230 V ~ 50 Hz
 - R-Pro 3000, 4000 voltage - 400 V ~ 50 Hz.
- Do not connect other devices to its power source.
- Always disconnect the heater from the electrical mains before cleaning, carrying out maintenance, or when it is not in use for a long period.
- The heaters are stationary devices and should be installed at a high level. Suspension height is 2.4 – 4.5 m from floor level.
- The heat resistance of the ceiling covering material is at least 80 °C.
- If the heater is connected directly to a fixed electric wiring, it must be equipped with an automatic device that disconnects it from the electrical mains.
- To avoid electric shock, a damaged power cord must be replaced by qualified personnel only.
- Do not use the heater near flammable materials.



Description

Infrared heaters R-Pro are electric heaters which transfer heat mainly by infrared radiation.

They are designed for main, supplementary and local heating of industrial, factories, household and similar premises (apartments, offices, trade enterprises, gyms, educational institutions, catering establishments, warehouses, hangars, agro-industrial enterprises, etc.)

Infrared radiation passes through the air and heats the objects, walls and floor of the room, which in turn heat the air.

Heated air rising to the ceiling gradually cools down, while the air temperature at the level of the head of a standing person is 1-2°C lower than the floor temperature.

The design of heaters allow them to be used either as a single unit, or in any required quantities, provided that the distance between heaters is at least 10 cm.

Components

For models R-Pro 500, R-Pro 800, R-Pro 1000, R-Pro 1300, R-Pro 1600, R-Pro 2000, R-Pro 2600

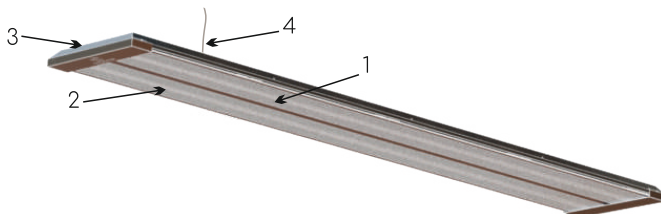
1. Infrared heater	1 pc	8. M5 screw-nut.....	2 pcs
2. Mounting brackets	2 pcs	9. Dowels with screws	4 pcs
3. Ceiling mount bracket	2 pcs	10. S-hook.....	2 pcs
4. M4 wing screw	2 pcs	11. Screw with open ring	2 pcs
5. M4 wing nut	2 pcs	12 Chain - 1.8 m.....	2 pcs
6. M6 screw.....	2 pcs	13. User manual.....	1 pc
7. M5 screw.....	2 pcs	14. Package	1 pc

For models R-Pro 3000, R-Pro 4000

1. Infrared heater.....	1 pc	6. Dowels	4 pcs
2. Mounting brackets.....	4 pcs	7. Chain - 1.8 m.....	4 pcs
3. M6 screw	4 pcs	8. User manual.....	1 pc
4. S-hook.....	4 pcs	9. Package.....	1 pc
5. Screw with open ring	4 pcs		

Design

The supporting structure consists of a steel case with a cover and aluminum radiant panels with heating elements installed in them.



- 1 – Steel case
- 2 – Radiant panel
- 3 – Cover
- 4 – Cable for connection

Principle of Operation

When the heater is connected to the electricity mains, the heating element heats up first, after which the radiant panels heat up. This process emits directional infrared radiation that heats the surfaces of objects. In this case, the temperature on the surface of objects will be different, depending on their absorption properties (surface color, material), the angle of incidence of infrared rays, shape and surface area.

Specifications

Model	R-Pro 500	R-Pro 800	R-Pro 1000	R-Pro 1300	R-Pro 1600	R-Pro 2000	R-Pro 2600	R-Pro 3000	R-Pro 4000
Rated power consumption in full mode, W	500	800	1000	1300	1600	2000	2600	3000	4000
Rated current max., A	2,4	3,9	4,8	6,3	7,7	9,7	12,6	5,43	7,22
Voltage, V	220 - 230							380 - 400	
Frequency, Hz	50								
Radiation area, m ²	0,07	0,11	0,14	0,18	0,22	0,28	0,36	0,42	0,54
Heating temperature, °C	up to 300								
Weight (no more), kg	1,5	2,2	3,0	3,4	4,2	5,4	6,5	7,8	9,8
Time to mode, min	10								
Heating area (no more), m ²	6	8	10	13	16	20	26	30	40
Dimensions (H*W*D), cm	62x13x3,5	92x13x3,5	119x13x3,5	147x13x3,5	92x26x3,5	119x26x3,5	147x26x3,5	119x38,5x3,5	147x38,5x3,5
Installation height, m	2,4-3,0	2,4-3,0	2,4-3,5	2,4-3,5	2,4-3,5	2,8-3,5	3,5-4,5	3,5-4,5	4,0-5,0

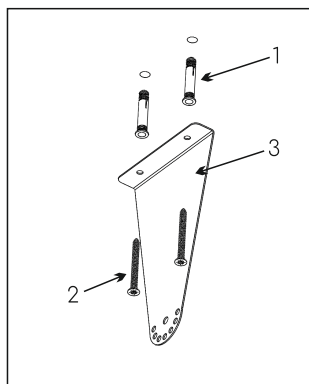
Specifications

The heating area is determined not only through the power consumption of the heater, but also by the type of room, ceiling height, wall and ceiling material, the number and area of windows, the presence of doors, etc.

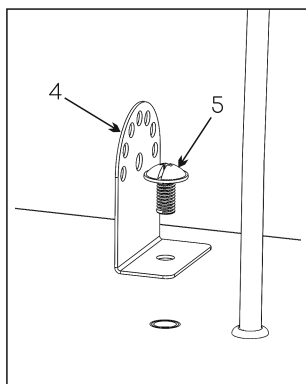
Installation Guide

In order to maintain a comfortable temperature within residential, office and work premises, the power of the infrared heater must be determined in such a way that the floor temperature is 20 °C, in this case the air temperature at the level of the human head will be 18-19 °C. Brackets for ceiling mounting are supplied with the device, and chain fasteners are also included (chain length 1.8 m).

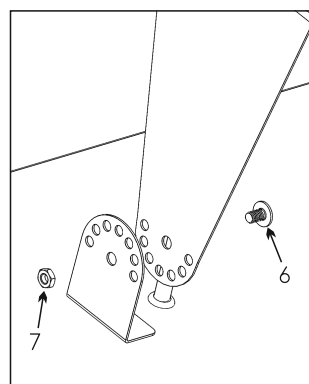
How to mount the heater



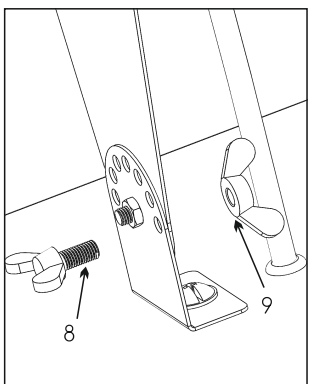
pic. 1



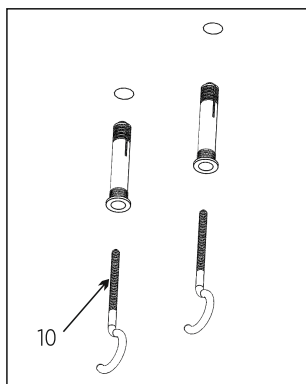
pic. 2



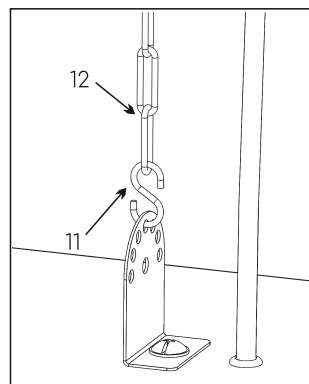
pic. 3



pic. 4



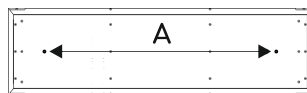
pic. 5



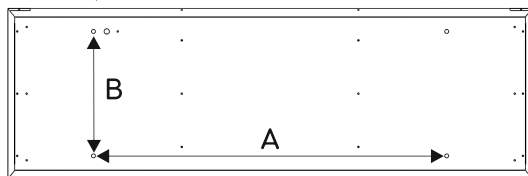
pic. 6

Table of distances (Table 1)

Model	A, mm	B, mm
R-Pro 500	400	-
R-Pro 800	700	-
R-Pro 1000	800	-
R-Pro 1300	1000	-
R-Pro 1600	700	-
R-Pro 2000	800	-
R-Pro 2600	1000	-
R-Pro 3000	800	280
R-Pro 4000	1000	280



R-Pro 3000, R-Pro 4000



How to fix the panel to the ceiling (2.5m high)

1. Drill 4 holes (each 8mm in diameter) in the ceiling, according to the distances (Table 1), between the holes on the ceiling bracket (60 mm)
2. Insert 4 dowels (1)
3. Attach the brackets to the ceiling (3) with 4 screws (2) (pic. 1)
4. Attach the bracket to the panel (4) with screw (5) (2 holes with M6 thread are located on the upper part of the panel) (pic. 2)
5. Connect the bracket to the ceiling (3) and then the bracket to the panel (4) with each other using screws (6) and screw-nuts (7) (pic. 3)

If you need to mount the panel at an angle, use the additional wing screw (8) and wing nut (9) which are attached to the corresponding holes on the brackets. This will allow the panel to tilt. (pic. 4).

How to fix the panel to the ceiling (more than 2.5m high)

1. Drill 4 holes (each 8mm in diameter) in the ceiling, according to the distances (Table 1), between the holes with M6 thread on the upper part of the device.
2. Insert 2 or 4* dowels (1)
3. Tighten the 2 or 4* screws with an open ring (10) (pic. 5)
4. Connect the S-hook (11) (2 or 4* pcs) through the holes in the bracket to the panel (4) (there are 2 or 4* holes with M6 thread on the top of the device, through which the bracket is attached to the panel with an M6 screw (5) (pic. 2)
5. Hang the panel on screws with an open ring (10) (2 or 4* pcs) to the ceiling with the help of chains (12) (2 or 4* pcs) that are attached to S-hooks (11) (pic. 6)
6. Adjust the height with the chain (12) (if necessary).

* - for models R-Pro 3000 and R-Pro 4000



Wiring for R-Pro 500, 800, 1000, 1300, 1600, 2000, 2600

Connection of heaters to fixed wiring 230 V should be carried out using a cable with a core cross section of at least 1.5 sq. mm.



Wiring for R-Pro 3000, 4000

Connection of heaters to fixed wiring 230 should be carried out using a cable with a core cross section of at least 2.5 sq. mm.



Attention!

When connecting the heater to the electrical mains, pay special attention to the reliable electrical connection of the contact of the grounding terminal block from the grounding residential cable of the fixed wiring.



Attention!

- Before beginning installation, thoroughly wipe the surface of the panels with a soft cloth soaked in alcohol, and then with a dry one. This will prevent the appearance of burnt spots.
- Turn on the panel for 10-20 minutes in a well-ventilated area before mounting.
- Once switched on, the heater emits infrared rays and heats objects and materials.
- A noticeable smell of smoke may appear due to the burning of technical oil from the surface of the heating elements.
- To eliminate this smell, always keep the heater clean and ensure to prevent dust accumulation.

Care and Maintenance

R-Pro electric heaters are practically maintenance-free. For smooth operation, please take note of the following points;

1. In case of contamination, after the obligatory switch-off and cooling of the heater, wipe the case with a damp cloth, and the radiating panel with alcohol.
2. Check the serviceability of the power cable contacts.



Options for Controlling Infrared Heaters

Option 1

If there is no need to regulate the room temperature in the given area, simply connect the heater to a standard switch. By doing so, the heater will be controlled mechanically. When wiring, it is necessary to take into account, the total number of amperes used by all connected infrared heaters, and the maximum operating current of the switch. If the total number of amperes is higher than the maximum operating current, please use a switching device.

Option 2

If the room temperature is to be regulated within a specific zone or zones, use a thermostat for control. By doing so, the heater will work independently, switching on/off according to the set temperature.

When wiring, it is necessary to take into account, the total number of amperes used by all connected infrared heaters, and the maximum operating current of the switch. If the total number of amperes is higher than the maximum operating current, please use a switching device.

When installing as a main heat source, connect the heater to the power source through a thermostat.

Install thermostats in each heating zone (room). If more than one heaters are to be used in the same space, connect them in a parallel manner.



Do not install panels directly over an electrical socket.

The heater must be connected only to fixed wiring and the wiring must contain a power disconnecter with physical separation of contacts (mechanical switch, automatic circuit breaker).

Do not place the power supply wire across the back of the heater.

Connect the panels through an automatic protection tripping unit to ensure the possibility of complete disconnection from the power mains.

Installation Kit

For models R-Pro 500, R-Pro 800,
R-Pro 1000, R-Pro 1300, R-Pro 1600,
R-Pro 2000, R-Pro 2600

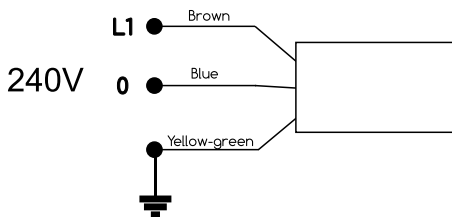


For models IAH 3000, IAH 4000



Wiring diagram for models Rose Heaters

R-Pro 500, R-Pro 800, R-Pro 1000, R-Pro 1300, R-Pro 1600,
R-Pro 2000, R-Pro 2600



Wiring diagram for models Rose Heaters

R-Pro 3000, R-Pro 4000

