



ROSE HEATERS
UK INFRARED HEATER COMPANY

INFRARED PANEL HEATERS

INSTRUCTION MANUAL
FOR MODELS: LAVANDER RANGE



Before using carefully read these instructions.



Pay special attention to the sections with this symbol

Thank you for purchasing LAVENDER infrared heater. Thank you for purchasing LAVENDER infrared heater. We sincerely hope that you will have a great heating experience with our heater.

Description

This Infrared heater is designed for primary or secondary heating of residential and non-residential premises. They are designed to work with a standard electricity supply with a voltage of 220V - 230V, 50Hz (*table 1*).

Specifications of infrared heaters

table 1

Model	Infrared Heater 400W WiFi	Infrared Heater 400W WiFi	Infrared Heater 800W WiFi
Rated power consumption, kW	0,4	0,4	0,8
Nominal current max, Amps	2	2	3,6
Voltage, V	240		
Frequency Hz	50		
IP rating	54	54	54
Surface temperature, °C	70-100	70-100	85-110
Weight, kg	9,1	9,3	15,78
Time to enter the mode, min.	40	40	40
Heated Floor area (m ²) of the room (considering standard UK ceiling Height of 2.4m)	7 10	7 10	14 20
Heated volume of the room of the room (no more), m ³	13-20	13-20	22-40
Control Type	M 01		
Intallation method	wall/floor		
Sizes (HxW), mm	580x580	360x1020	620x1020

Accessories for heater:

- Panel Heater.....1 pcs
- Mounting bracket.....2 pcs
- Plastic wall anchors with screws.....4pcs
- Instructions for operation.....1pcs
- Mounting kit1pcs
- Feet for the heater.....1 set (not included in the product package)

GENERAL CAUTIONS

Hot Surfaces: Some parts of the appliance may become very hot during operation. Exercise extra care if children or vulnerable individuals are present.

This appliance is not intended for use by individuals (including children) with reduced physical, sensory, or mental capabilities, or lack of experience and knowledge, unless they are supervised or instructed by someone responsible for their safety.

Children must be supervised to ensure they do not play with the appliance.

Children under 3 years of age must not be near the heater unless closely supervised by an adult.

Do not operate the appliance until it is securely installed as outlined in this manual. If the power cord is damaged, it must be replaced by a qualified engineer to avoid any hazards.

The panel must not be positioned directly in front of a power outlet.

Keep furniture, curtains, and other flammable materials at least 20cm away from the appliance.

Never leave the appliance unattended while it is in use or connected to the mains supply.

This appliance is designed for household use only and is not suitable for industrial applications.

Do not use the appliance if it has malfunctioned or sustained any form of damage. Repairs should only be carried out by a qualified electrician. Improper repairs can result in serious risk to the user.

Do not route the power cable under rugs, carpets, or similar coverings.

Keep the cable away from sharp edges and hot surfaces.

To prevent overheating, do not cover the heater under any circumstances.

Never immerse the appliance in water or other liquids.

Do not use this heater near baths, showers, or swimming pools.

The appliance is not suitable for outdoor use. Do not operate the appliance with

wet hands. Never use the heater on or near hot surfaces.

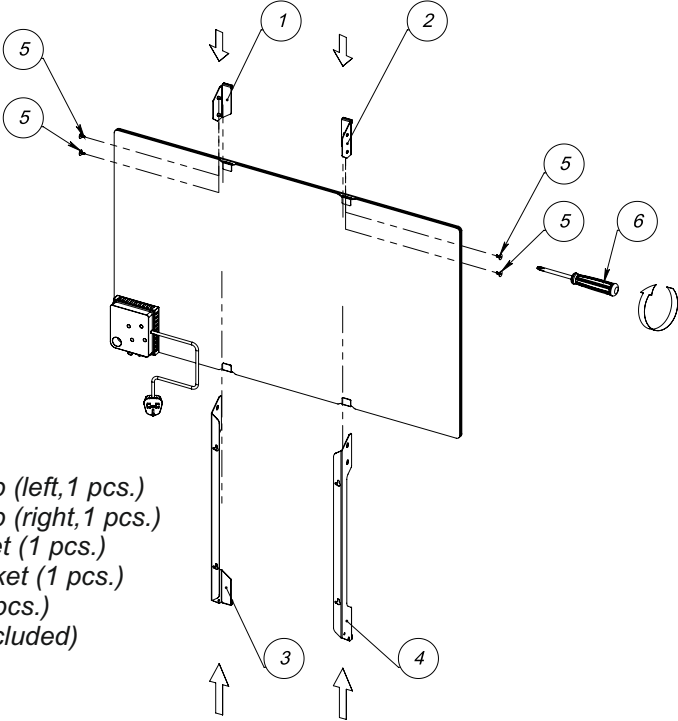
Do not operate the appliance with a damaged cord.

Always unplug the appliance and allow it to cool completely before cleaning.

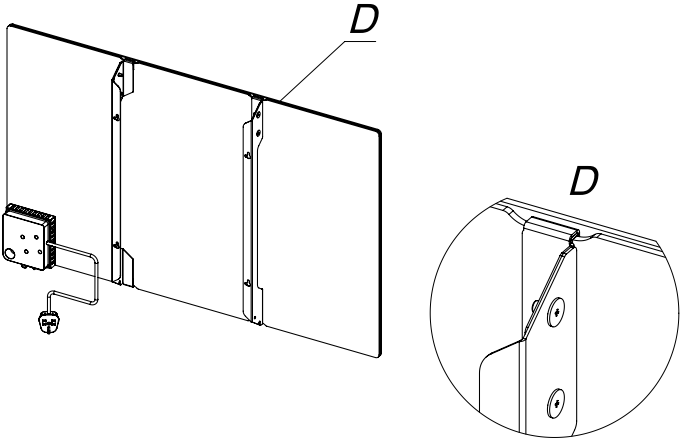
Do not use abrasive cleaners or chemicals on the unit.

Only use accessories recommended or supplied by the manufacturer. Using unapproved accessories may pose a risk or damage the appliance.

Installation Instructions
Mounting Clip and Bracket Installation

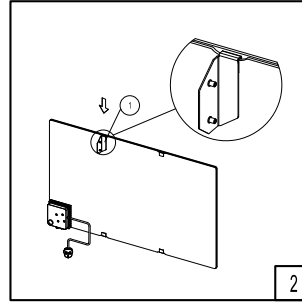
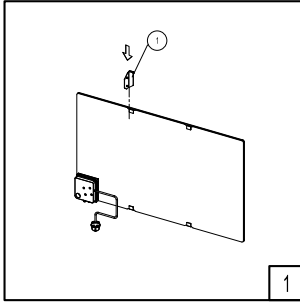


- 1. Upper mounting clip (left, 1 pcs.)
- 2. Upper mounting clip (right, 1 pcs.)
- 3. Left hanging bracket (1 pcs.)
- 4. Right hanging bracket (1 pcs.)
- 5. M4 x 12 screws (4 pcs.)
- 6. Screwdriver (not included)



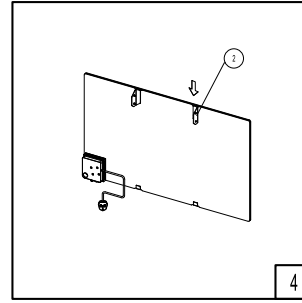
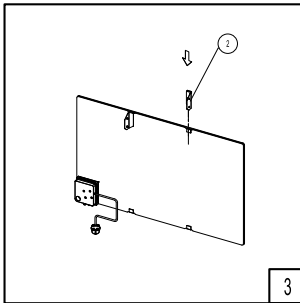
Step 1 – Install upper mounting clips

Insert the left and right Upper mounting clips (Parts 1 & 2) into the pre-cut slots along the top edge of the glass panel. Ensure left and right clips are on the correct side, and that they are fully seated and vertically aligned (Fig. 1–4).

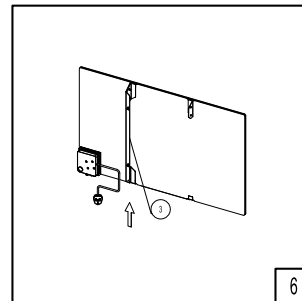
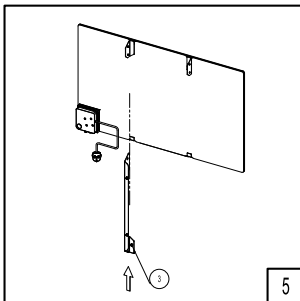


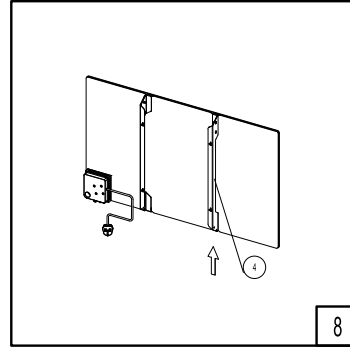
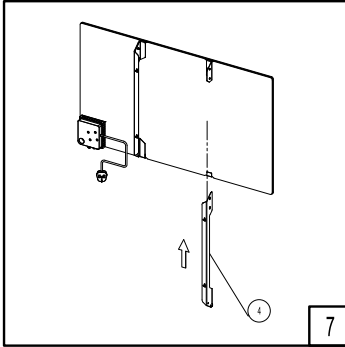
Step 2 – Install vertical mounting brackets

From the bottom edge of the glass panel, slide the left and right mounting brackets (Parts 3 & 4) upward until they fully engage and lock into the corresponding upper clips.



Step 3 - Ensure the bottom mounting bracket is on the outer side and the upper mounting clips on the inner side. Adjust both brackets so they are straight and evenly spaced (Fig. 5–8).

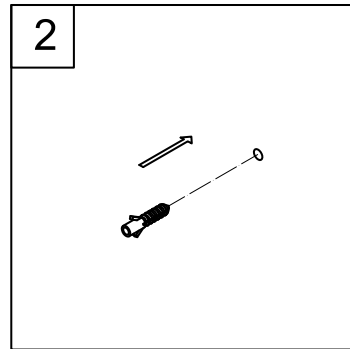
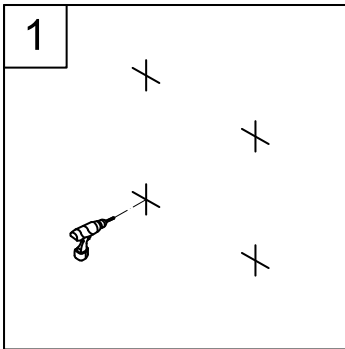




Infrared heaters can be installed both vertically and horizontally (refer to Table 1). For wall installation, mounting brackets are provided on the rear side of the heater.

Please follow these steps:

1. Ensure the bottom edge of the heater is installed at least 10 cm above the floor.
2. Ensure the top edge of the heater is positioned at least 10 cm below the ceiling.



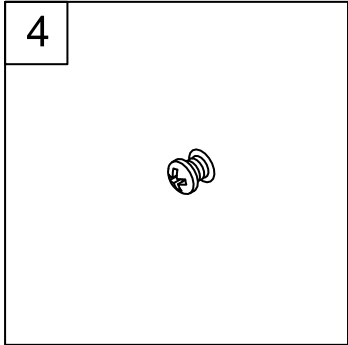
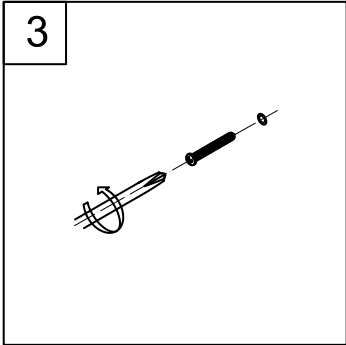
3. Maintain a minimum lateral clearance of 10 cm between the heater and adjacent walls.

4. Before drilling, verify that no electrical wiring or water pipes are located behind the installation area.

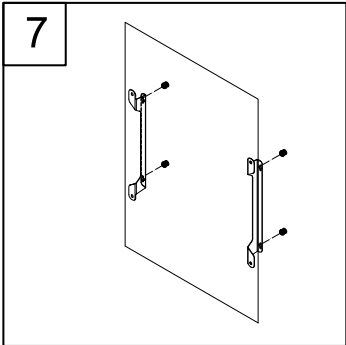
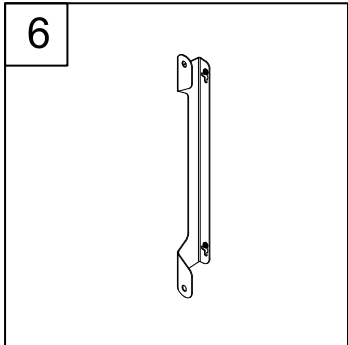
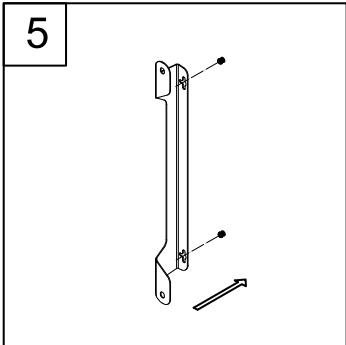
5. Mark the positions of the four mounting holes on the wall. Use a drill to make the holes, ensuring the spacing matches the round holes on the back brackets of the heater (see Picture 1).

6. Insert the plastic wall anchors into the drilled holes (see Picture 2).

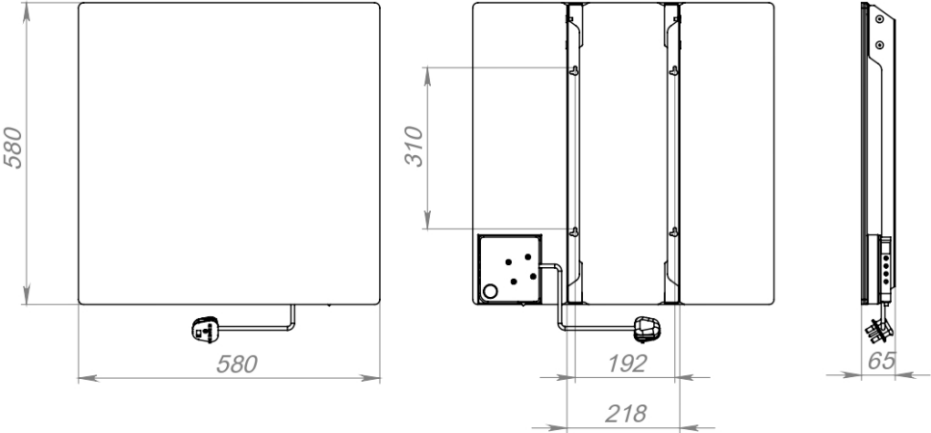
7. Screw the metal fasteners into the plastic anchors (see Pictures 3 and 4).



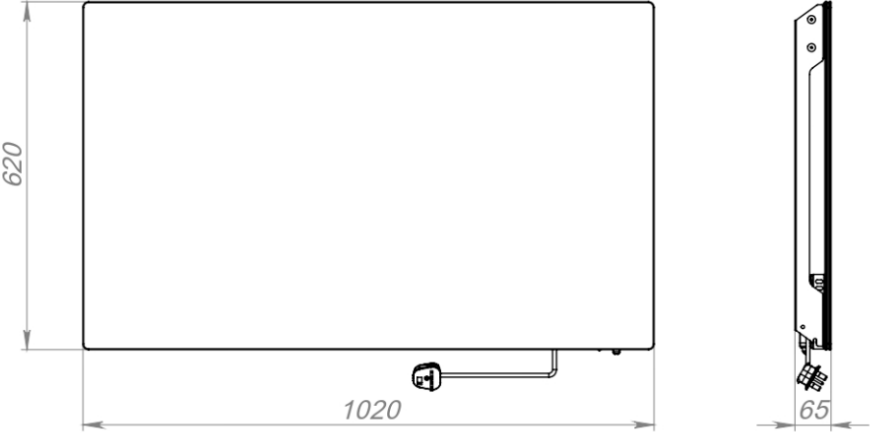
8. Carefully lift the heater, align the four bracket holes on the back of the unit with the screws on the wall, and securely hang the heater by gently sliding it into position (see Pictures 5-7).

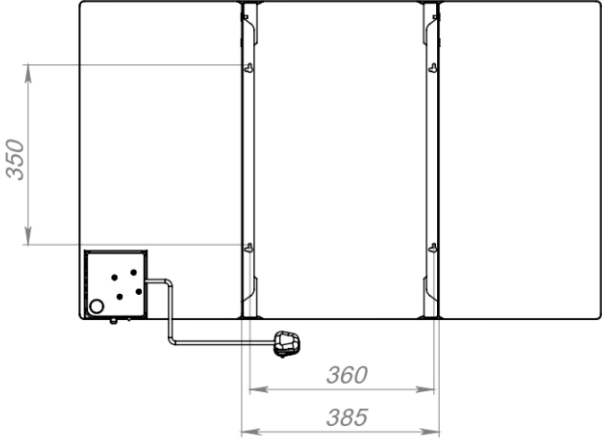


Dimensions of the models:

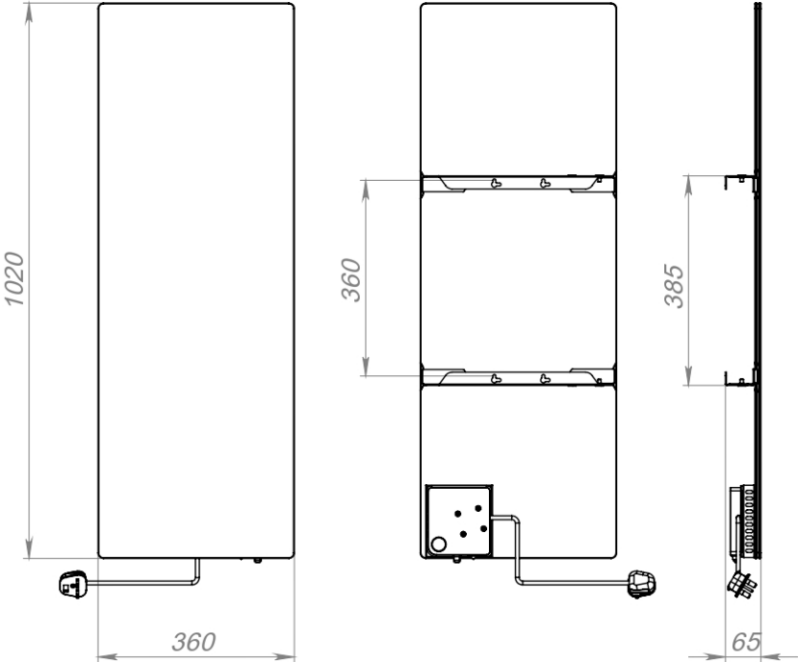


Infrared Heater - 400W Lavender Range





Infrared Heater - 800W Lavender Rang



Infrared Heater - 400W Lavender Range

Removable Legs with an Adjustable Tilt Angle

For the freestanding option, the heater can be mounted using a set of removable legs with an adjustable tilt angle. Please note: the leg set is not included in the standard product package and must be purchased separately.

Assembly Instructions

Parts list:

Part 1 – Horizontal base bar

Part 2 – Left and right leg supports

Part 3 – Assembled leg structure (Part 1 + Part 2 connected)

Part 4 – Washers

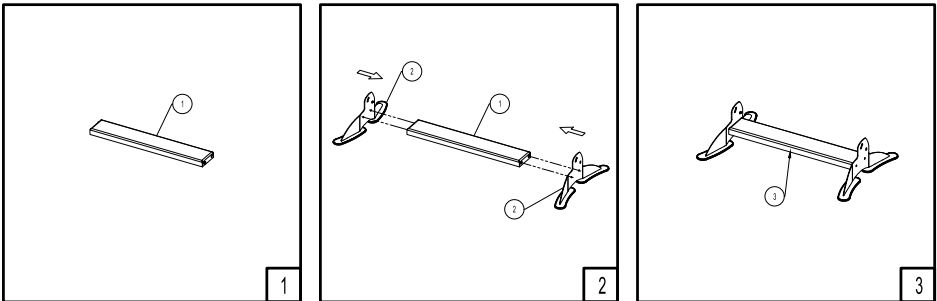
Part 5 – Phillips screwdriver (not included)

Part 6 – Angle adjustment washers

Assembly of Removable Legs (Pic. 1–6)

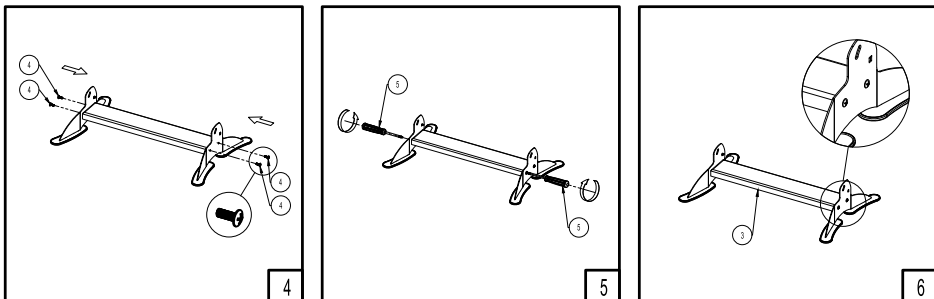
Step 1 - Place Part 1 (horizontal base bar) on a flat surface. Insert Part 2 (left and right leg supports) into both ends of Part 1. Make sure the supports are aligned symmetrically.

Once Part 1 and Part 2 are connected, the assembled structure becomes Part 3.



Ensure all joints are properly aligned before proceeding.

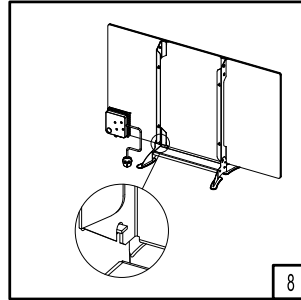
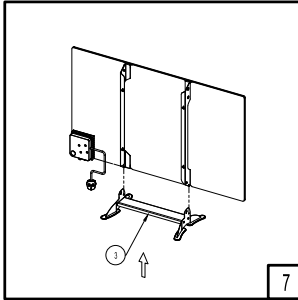
Step 2 - Install Part 4 (washers) at the pivot connection points on both sides.



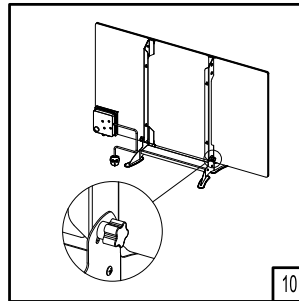
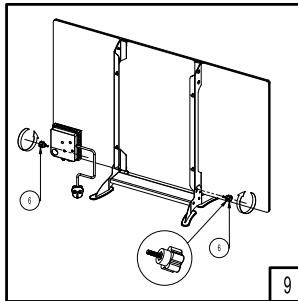
Using Part 5 (screwdriver, not included), tighten the washers at the joint areas.

Installation of Removable Legs to the Heater (Pic. 7–10)

Step 3 - Place the heater in a vertical position onto the assembled removable legs and align the fixing holes of the heater with the mounting holes of the leg assembly.



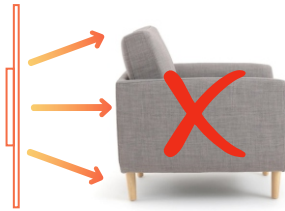
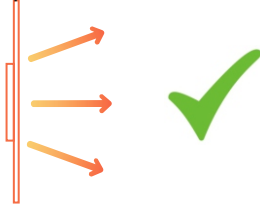
Step 4- Secure the structure using Part 6 (Angle adjustment washers) Tighten evenly on both sides.



Check stability and verify the selected tilt angle. Ensure all fastening elements are securely tightened. Installation is complete.

Positioning the heater

The infrared panel heater warms the room by radiating heat into the surrounding space and surfaces. For optimal performance, position the heater where its heat output is not obstructed by large objects such as furniture, curtains, or walls.



Avoid placing the heater:

In corners or behind furniture, where heat dispersion will be limited. Directly opposite windows or open doorways, where heat may escape.

Directly in front of an electrical socket—maintain a minimum distance of 200 mm from any socket.

To maximize comfort and efficiency:

Place the heater in a central or open location to allow for even heat distribution.

Consider whether you want to feel the direct warmth—for example, mounting it above a seating area—or prefer indirect heating.

Depending on the heater's size, you may feel

gentle warmth up to approximately 3 meters away.

Ensure the heater is mounted near an electrical outlet, while observing all safety clearances as specified above.

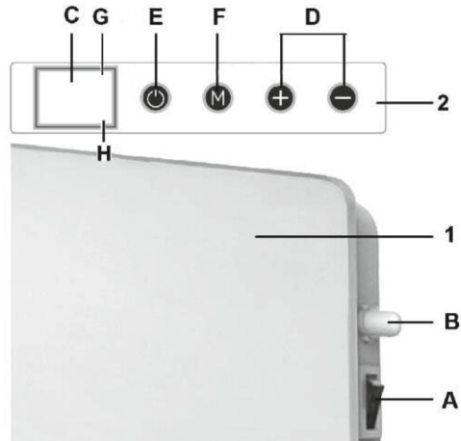
Operating Instructions (M-01 series model)

Control Panel Overview Main Components

1. Heating Panel

2. Control Panel, including:

- A. Main Switch & Light
- B. Temperature Sensor
- C. Display
- D. Up/Down Keys (+ / -)
- E. ON/OFF Switch
- F. Timer & Wi-Fi Button (M)
- G. Blue Wi-Fi Indicator Light
- H. Red Timer Indicator Light



Basic Operation

1. Plug the heater into a power socket.
2. Switch the main power switch to 'I' (ON) – the light will illuminate, and the heater will enter standby mode.
3. Press the ON/OFF button – the heater will start operating and the display will show the current room temperature.
4. To turn off the heater:
Press the ON/OFF button to return it to standby mode.
Then switch the main power switch to 'O' (OFF) – the pilot light will turn off. Unplug the heater from the socket.

Thermostat Control

Press the + or - button to activate the temperature setting mode. The current temperature setting will flash five times on the display. While the temperature is flashing, press + or - to adjust the setting by 1°C per press. The heater will maintain the desired temperature by automatically switching on and off as needed.

Timer Function

1. Briefly press the M (Mode) button once to activate the timer. The red timer indicator light will turn on. The display will flash.
2. Use the + or - buttons to set the desired countdown time (in hours) before the heater switches off. Each press adjusts the time in 1-hour increments.
3. After 5 flashes with no input, the timer setting will be saved. The display will alternate between showing the room temperature (red light off) and the set time (red light on), then turn off.
4. The heater will automatically switch off once the timer reaches zero.
5. If no changes are made for 10 seconds, the display will turn off. Press any button to reactivate it.

Wi-Fi & App Control

The heater supports remote control via a smartphone app. To connect: Setup Steps

1. Download the “TuyaSmart” or “Smart Life” app from the App Store or Google Play.
2. Open the app and register using your mobile number.
3. Enter the verification code received via SMS and create a password.
4. Select “Add Device” within the app.
5. On the heater, ensure the blue Wi-Fi light is blinking rapidly. If not, press and hold the M button until it begins to blink.

6. In the app, confirm the indicator is blinking rapidly and enter your Wi-Fi password.

7. The app will connect to the heater. Once connected, select “Done”.

8. You can now control the heater through the app, including setting the temperature and programming a weekly timer.

Note: Wi-Fi is enabled by default. To disable Wi-Fi, press and hold the ON/OFF button for 5 seconds – the blue Wi-Fi light will turn off.



Disposal of the Heater

Do not dispose of the heater with general household waste. It must be disposed of in accordance with local regulations for metal electrical appliances. Contact your local waste management authority for proper disposal procedures.

Warranty Information

The manufacturer guarantees that the heater complies with all required standards, provided that the transportation, storage, installation, and operation guidelines have been followed.

Upon Delivery

Inspect the heater and packaging immediately upon receipt.

Report any visible damage or defects caused by transport (e.g., from dropping or impact) to the seller.

Warranty Coverage

5-year warranty on the heating element.

2-year warranty on the built-in digital thermostat.

If the purchase date or stamp is missing, the warranty period will be calculated from the date of manufacture.

Product lifespan: 10 years.

Shelf life: Unlimited if stored in a dry, ventilated space with no more than 60% relative humidity and a maximum stacking height of 20 units.

Warranty Conditions

The warranty is void if:

-The serial number is removed.

-The heater has been tampered with or opened. Storage and installation conditions are not followed.

-The warranty covers repair or replacement of defective products only.

-The decision to repair or replace is at the sole discretion of The Infrared Heater Company Ltd.

-Installation costs and consequential losses are not covered.

Warranty service is provided through the original seller or authorized service centers (if available in your area).

Disclaimer

The Infrared Heater Company Ltd is not liable for damage, injury, or loss resulting from:

- Water or moisture ingress
- Accidental damage or external impact
- Mishandling
- Unauthorized adjustments

Failure to follow proper maintenance and safety instructions outlined in this manual

Energy-Saving Tips Optimize Room Temperature

Most people feel comfortable at around 19°C when using infrared heating, though preferences may vary.

Take time to experiment and find the most efficient and comfortable setting for your space.

Lower thermostat settings reduce energy consumption.

Only Heat Occupied Rooms

Keep heating to a minimum in unused rooms.

For rarely used spaces, maintain a lower temperature and increase it only when necessary.

Allow Time for Infrared Heating to Work

Infrared heating warms up the room and its contents (thermal mass) rather than just the air.

It may take time for the room to feel warm, especially at the beginning of the heating season or after the room has cooled significantly.

Once warmed, the heat is retained longer, requiring less energy to maintain.

Avoid turning up the thermostat beyond your comfort level—it won't speed up heating but will waste energy.

Choose the Right Heater Size

Using an undersized heater will result in inadequate warmth and energy inefficiency.

Always ensure you have the correctly sized heater(s) for the dimensions and heat loss characteristics of the room.



WARRANTY CERTIFICATE

Buyer

Seller

Model

Serial number

Sales date (installation)

For warranty, please call: 01204588545
Importer: «The Infra Red Heater CO Ltd», 13 Wordsworth avenue, Bolton, BL49TB, UK, info@infraredcompany.com



ROSE HEATERS

UK INFRARED HEATER COMPANY