



Loft Leg

Loft Legs raise a loft floor above the insulation, creating a safe, strong and energy efficient storage platform or walkway.

www.loftleg.com





Loft Leg 175mm

Raises loft boards by 175mm, avoiding insulation compression, saving **energy** and **money**.

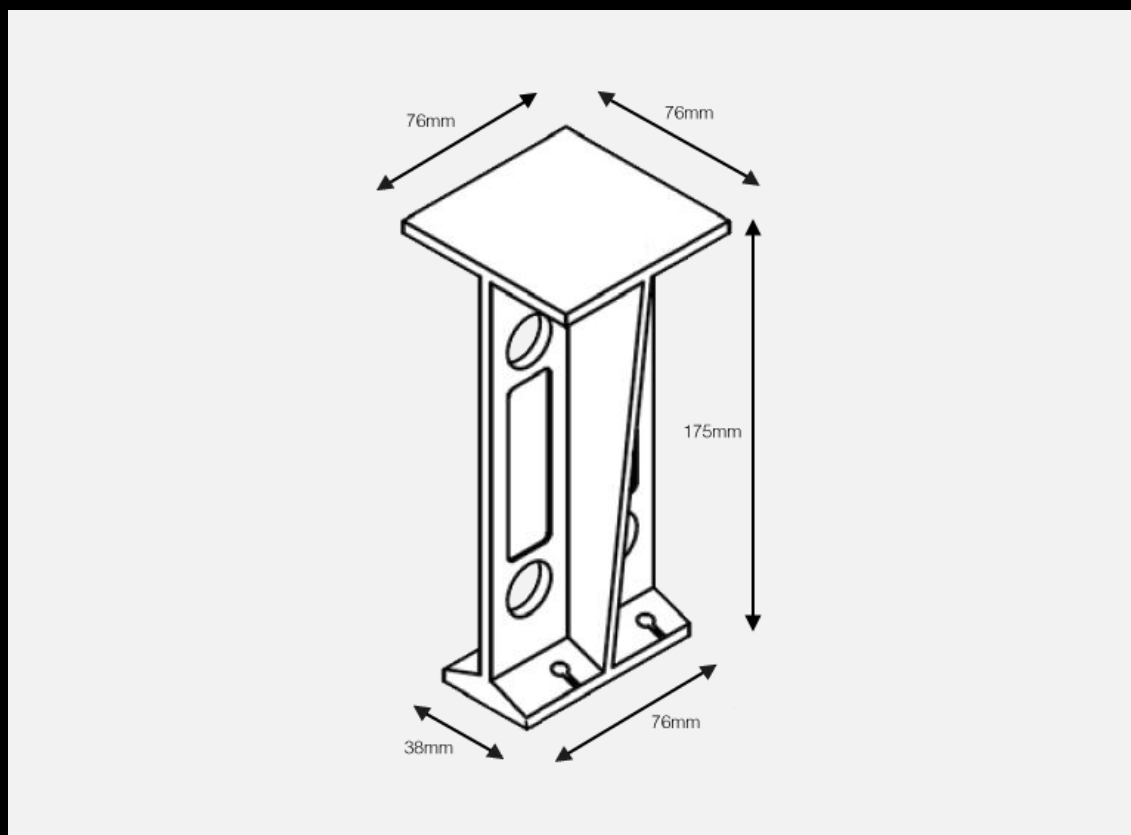


Creates a raised loft floor above 270mm of quilt insulation
Compression tested to over 500Kg
Strong enough to walk on and store up to 25Kg per square metre*
Manufactured in the UK from recycled materials
Manufactured and tested to exceed BS EN 1991-1-1:2002
and does not invalidate your new build warranty



Loft Leg Spec Sheet

LL001 Loft Leg 175mm



Material: Recycled Polypropylene

Total Height: 175mm (Designed for Raising Floor Over 270mm Of Quilt)

Top Platform: 76mm x 76mm

Foot: 38mm x 76mm

Pack QTY: 12 Legs

Max Distance Between Legs: 600mm



Loft Leg XL 300mm

Raises loft boards by 300mm, avoiding insulation compression, saving **energy** and **money**.

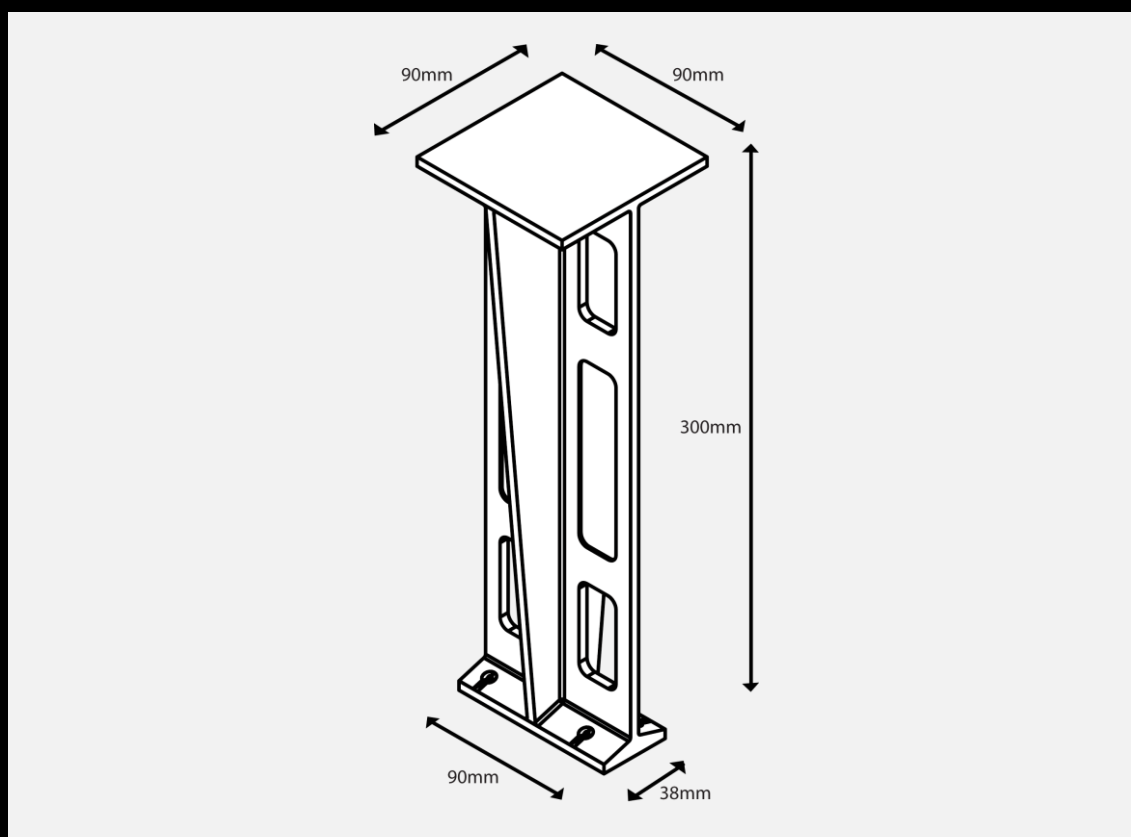


Creates a raised loft floor above 400mm of quilt insulation
Compression tested to over 400Kg
Strong enough to walk on and store up to 25Kg per square metre*
Manufactured in the UK from recycled materials
Manufactured and tested to exceed BS EN 1991-1-1:2002
and does not invalidate your new build warranty



Loft Leg Spec Sheet

LL005 Loft Leg XL 300mm



Material: Recycled Polypropylene
Total Height: 300mm (Designed for raising boards over 400mm of insulation)
Top Platform: 90mm x 90mm
Foot: 38mm x 90mm
Pack QTY: 12 Legs
Max Distance Between Legs: 600mm



Loft Leg Gallery





For more information visit
www.loftleg.com

Loft Leg Ltd.
Unit 11 Baublock
Blackburn Road
Simonstone
BB12 7FS
Tel: +44 (0)1282 861001