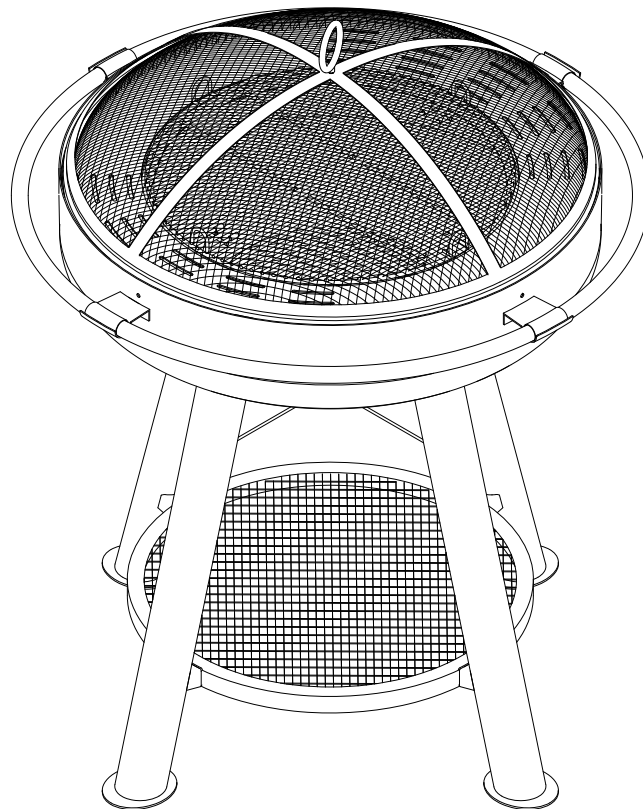


Elevate Fire Pit and Grill

INSTRUCTIONS FOR ASSEMBLY AND SAFE USE



IMPORTANT

CONTAINS SAFETY, CARE, AND
WARRANTY INFORMATION

PLEASE READ BEFORE USE AND
RETAIN FOR FUTURE REFERENCE

WARNING: Burning wood or charcoal produces substances such as carbon monoxide and carbon black, which may be harmful to health. Carbon monoxide is a poisonous gas that can cause serious health issues, including reproductive harm. Always use this product outdoors in a well-ventilated area.

IMPORTANT SAFETY INFORMATION

- This fire pit is intended for outdoor use only.
- Use only on non-combustible surfaces such as brick, concrete, stone, or other masonry.
- Do not place the fire pit on grass, wooden decking, composite decking, asphalt, or any surface that is flammable.
- Maintain a minimum clearance of 10 feet (3 metres) from buildings, structures, vehicles, and any flammable materials.
- Do not use beneath low-hanging branches, trellises, overhangs, or covered areas such as porches.

SAFETY WARNINGS


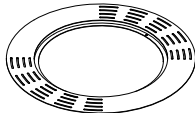
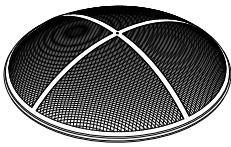
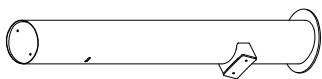
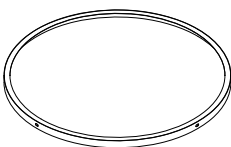

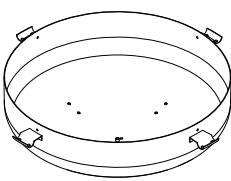

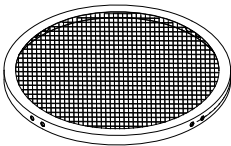
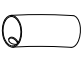
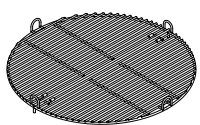
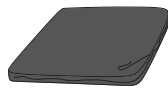


- Never use petrol, alcohol, or any volatile liquids to start or relight the fire.
- Do not operate the fire pit while under the influence of alcohol or any impairing substances.
- To prolong the life of the product, keep fires at a manageable size and avoid overloading the fire pit.
- Do not throw logs or fuel into the fire. Add firewood carefully to avoid sparks and tipping.
- This fire pit must be used by a responsible adult.
- Children and pets must be supervised when the fire pit is in use.
- Avoid any actions that could cause the fire pit to become unstable or tip over.
- Keep loose clothing, hair, and flammable items away from the fire.
- Never leave the fire pit unattended while in use.
- Do not move the fire pit while it is in use or still hot.
- Do not use in windy conditions.
- Do not overload or use the fire pit to burn rubbish or non-approved materials.
- Use caution when tending the fire; all surfaces become extremely hot during operation.
- Always use the fire screen while the fire is burning.
- When removing the fire screen, use heat-resistant gloves or mitts and the included poker.
- Be cautious when lifting the fire screen, as sudden heat or steam release may cause burns.
- Before each use, inspect the fire pit to ensure it is in good condition and free from damage.
- Even after extinguishing the fire, surfaces may remain hot for a long time; use caution.
- Do not cover the fire pit until it is completely cool and all embers are fully extinguished.
- Always check local laws and regulations before using the fire pit.

BEFORE YOU START

1. Ensure you read this manual before starting to assemble your Firepit.
2. Check all parts against the parts list before assembly. Keep packaging until all parts are confirmed.
3. Assemble your product on a flat surface.
4. Do not assemble in inclement weather.
5. Keep any plastic bags, fittings and tools out of reach of children and pets.
6. Do not leave tools unattended during the assembly process.
7. Do not modify this product, substitute parts or use other tools not provided and/or recommended to build your product, as this will void your warranty.
8. There are heavy parts within this package. Ensure you lift with the correct posture and technique. Get help moving and/or lifting if necessary.
9. Please only use this product for its intended purpose within a residential environment. Failure to do so will void your warranty.
10. GRDN living holds no responsibility for any damages caused due to normal wear and tear, incorrect assembly, misuse and/or negligence.
11. Please recycle product packaging where possible.



PART LIST

	(A) X 1		(H) X 1
	(B) X 1		(J) X 4
	(C) X 1		(K) X 2
	(D) X 1		(L) X 4
	(E) X 1		(L1) X 4
	(F) X 1		(M) X 1
	(G) X 1		(N) X 1

HARDWARE LIST

M6x25mm
 **(AA) X 16**

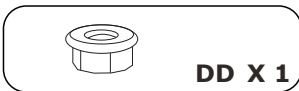
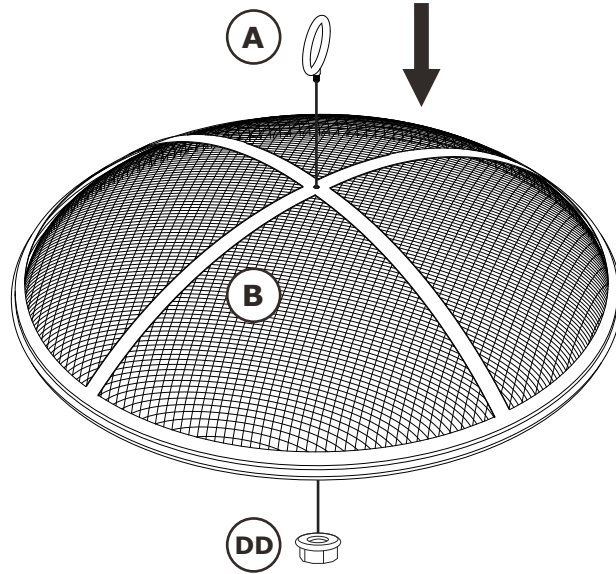
M6
 **(DD) X 5**

M6
 **(CC) X 2**

M6x15mm
 **(EE) X 12**

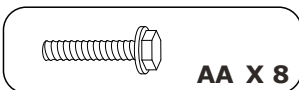
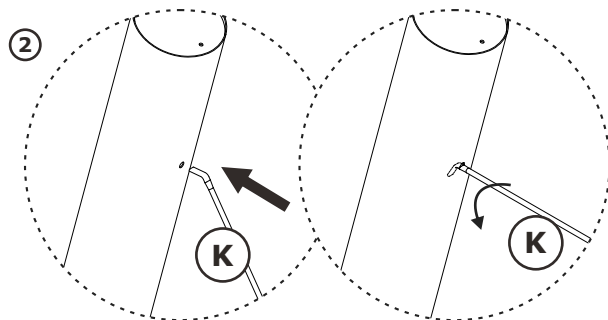
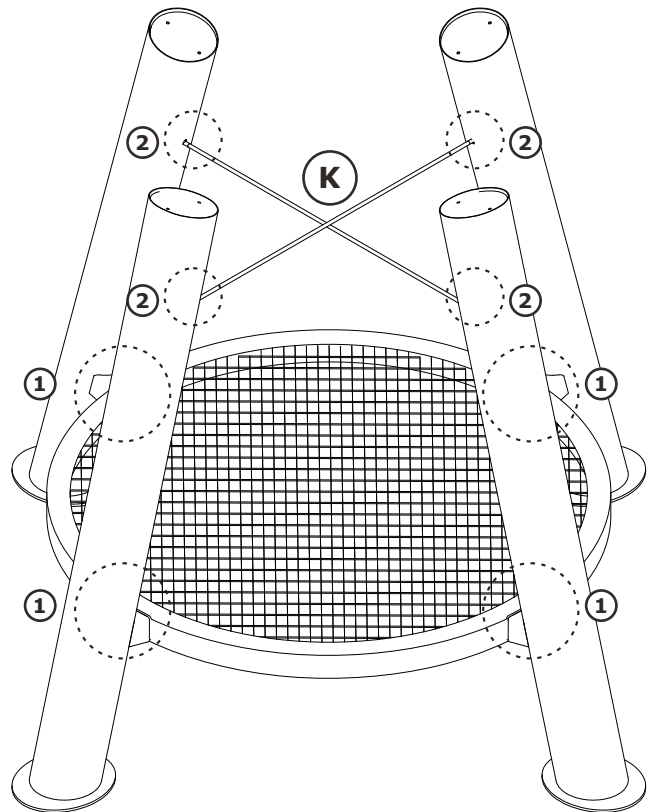
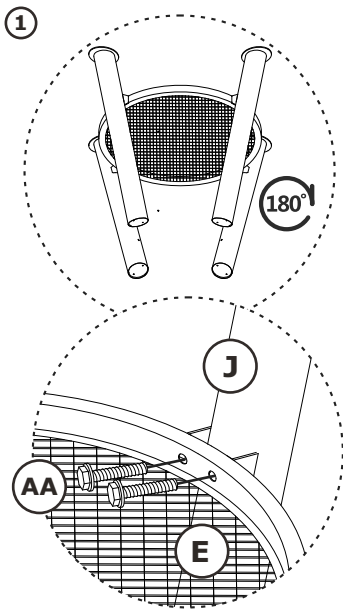
ASSEMBLY INSTRUCTIONS

1



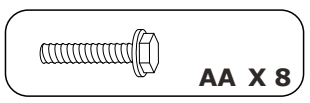
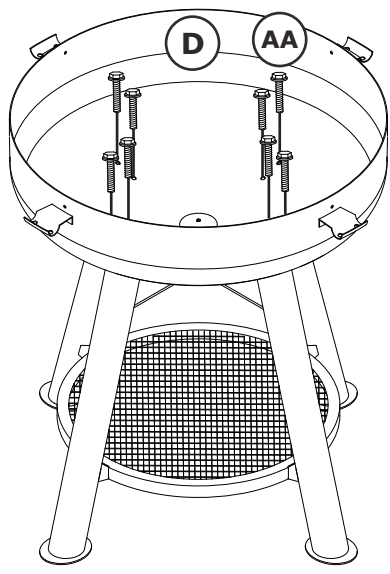
DD X 1

2

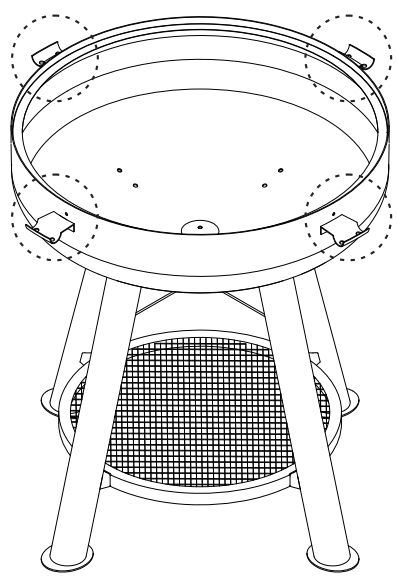
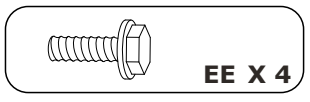
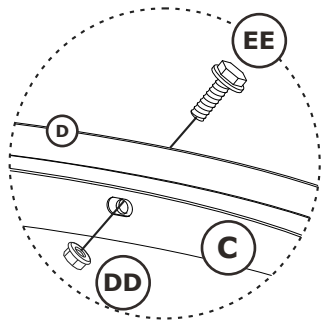


AA X 8

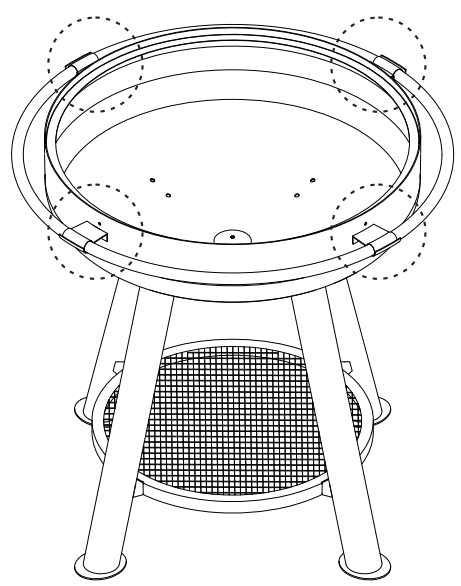
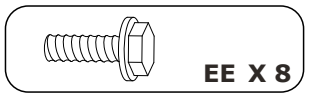
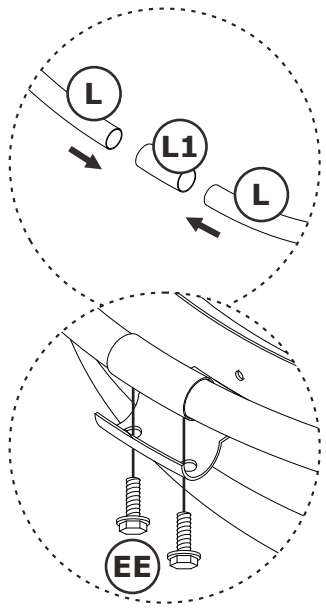
3



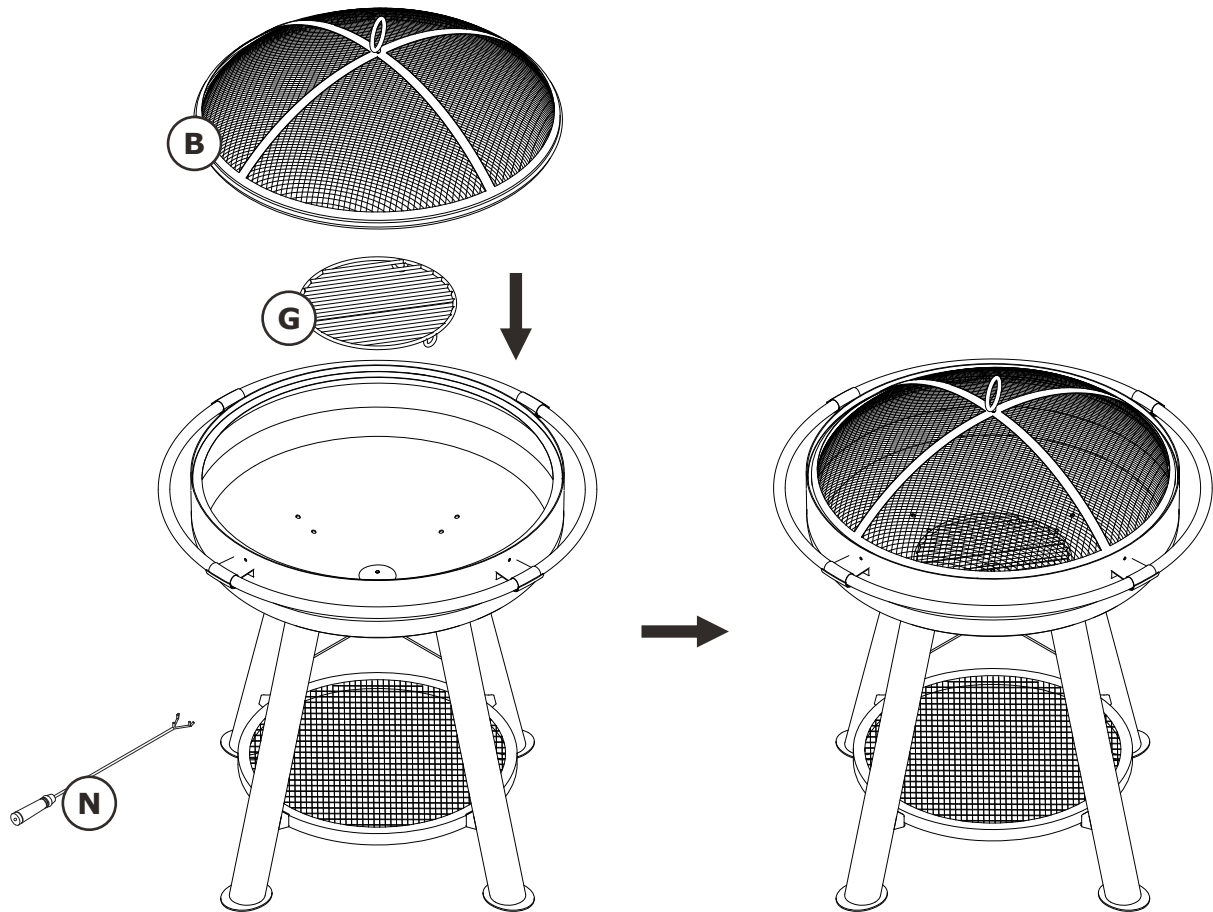
4



5



FIRE PIT USE INSTRUCTIONS



1

FUELING AND LIGHTING

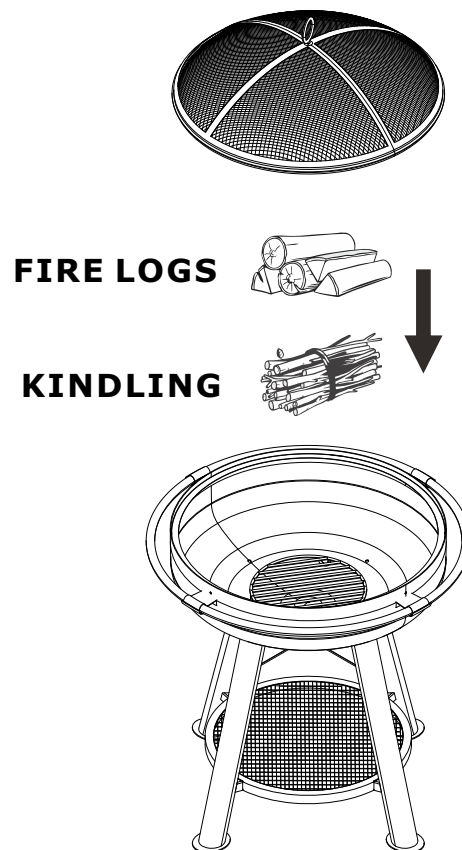
Pile kindling and fire logs on top of some firelighters or crumpled papers, leaving access to light them.

Use long safety matches or long reach light to light the firelighters. Feed more logs as needed. Do not overload.

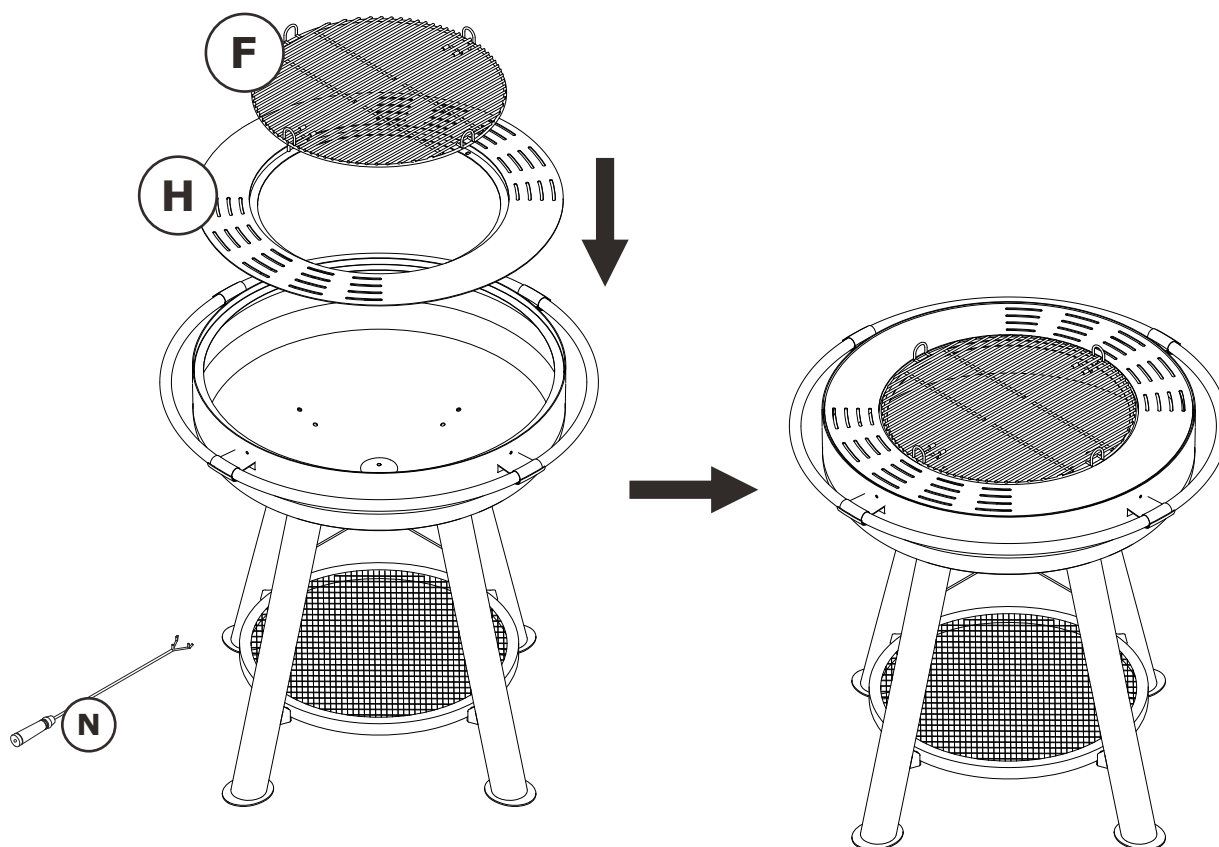
2

EXTINGUISHING

Allow the fire to burn out naturally, or extinguish it with sand. Do not use water as this may damage the fire pit and generate excess ash particles.



GRILL USE INSTRUCTIONS



COOKING

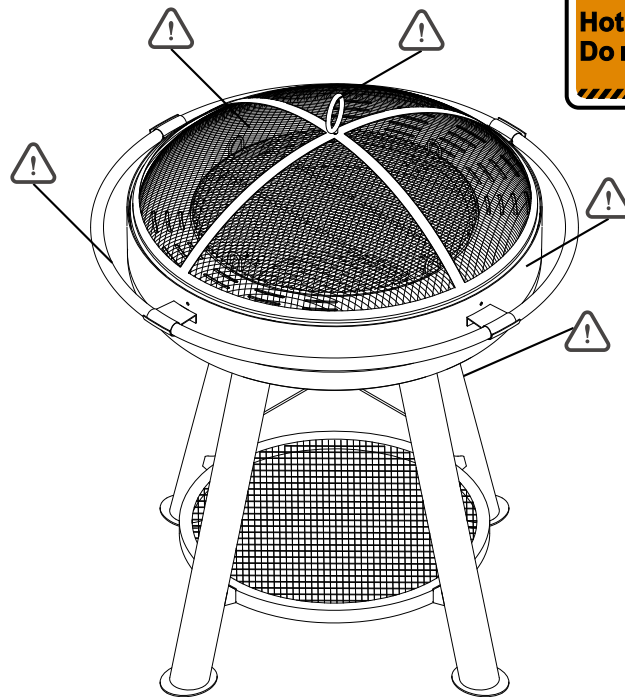
- Use lumpwood charcoal for food cooking.
- Before first cooking, heat the appliance and maintain fuel burning for at least 30 minutes.
- Begin cooking only once the fuel has a coating of ash.
- Apply a light coating of cooking oil to the cooking grate and plate before placing food to help prevent food from sticking.

FOOD COOKING GUIDELINES

- CAUTION: Consuming raw or undercooked meat may result in food poisoning.
- Wash hands thoroughly before and after handling raw meat, and before eating.
- Keep raw meat separate from cooked items and other foods.
- Use separate utensils for raw and cooked foods.
- Ensure all meat is cooked thoroughly before consumption.

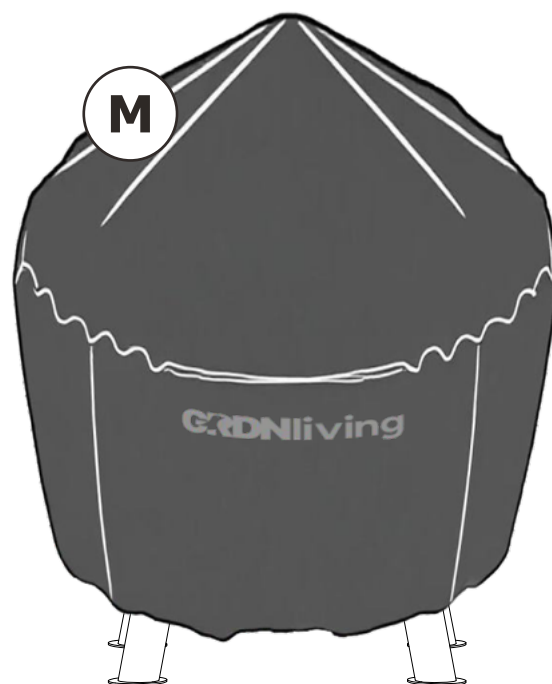
Cleaning & Maintenance

- For best results, clean the chiminea after each use.
- Ensure the chiminea is completely cool and all embers are fully extinguished before cleaning.
- Use a poker or shovel to remove any remaining firewood.
- Allow ashes to cool completely before disposal, and only use a suitable, non-combustible container.
- To clean, use mild soap, water, and a soft cloth. Dry thoroughly to prevent rust.
- Occasionally, the finish may require touch-up. Use a high-quality, high-heat paint to restore appearance.



Helpful Tips

- Never dispose of ashes where they could start a fire.
- Use a cover only when the fire pit is fully cooled to the touch.
- Store the fire pit securely to prevent tipping or creating a hazard.
- Store the fire pit in a dry, sheltered location, protected from the weather.



HELP CENTRE

If you experience any concerns with your purchase, please contact our customer service team before initiating a return. We're committed to finding a solution that ensures your satisfaction.

Important: Please retain original packaging until assembly is complete and you're satisfied with the product quality.

Return & Warranty Policy

Return Period: You may return your purchase within 30 days from the date of purchase.

Warranty: All purchases are covered by a one-year warranty.

Return Request Guidelines

Eligibility for Full Refund

1. Item Condition

- Must be in brand new, unused condition if opened
- Photo documentation required before and after packaging

2. Packaging Requirements

- All original parts and accessories must be included
- Use original packaging materials
- Items must be securely packed for return

Refund Process

- Refunds are issued once returned items are received and inspected at our warehouse
- Returns that are incomplete or improperly packaged may result in a partial refund

Outside the Return Window

If your item shows signs of damage or defects beyond the standard return period, please contact us via email. We value your satisfaction and will do our best to find a suitable resolution.

About Warranty

- Warranty claims must include valid proof of purchase.
- Coverage begins from the date of delivery and applies only to the original purchaser.
- Full warranty terms are available at: <https://warranty.grdnliving.co.uk>
- This warranty is valid for residential domestic use within the UK only.
- It does not cover commercial use, misuse, accidental damage, or normal wear and tear.
- We reserve the right to repair or replace individual components rather than the entire product, at our discretion.

Contact us

✉ service@grdnliving.co.uk

GRDN living (a trading name of The Breeze Group Limited)
16 Hennals Ave, Redditch B97 5RX, United Kingdom
www.grdnliving.co.uk

We Cover Shipping When:

1. The product has manufacturing defects (e.g. damaged materials, misaligned parts).
2. The item arrives damaged during transit.
3. An incorrect item was shipped due to a warehouse error.
4. Part of the order was lost during shipping.

Customer Covers Shipping When:

1. The return is due to a change of mind after delivery.
2. The product is no longer needed.
3. The item was ordered by mistake.
4. A cancellation request was made too late (after the item was delivered).

Our customer support team is here to help you find the best possible solution. We encourage you to contact us with your concerns before initiating a return.

Please note that all return requests must include photo documentation for processing.