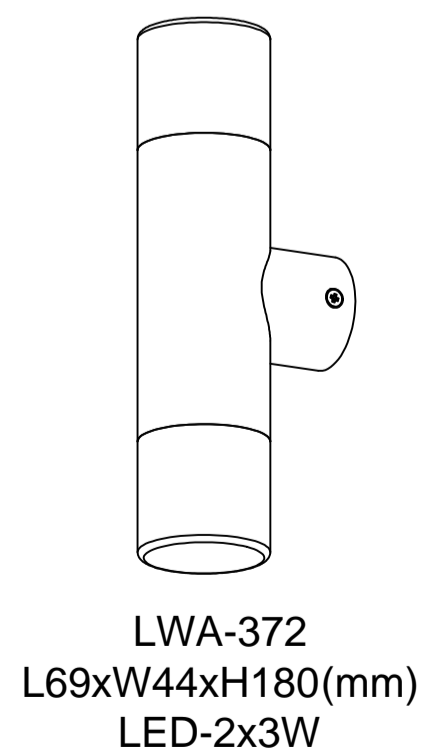
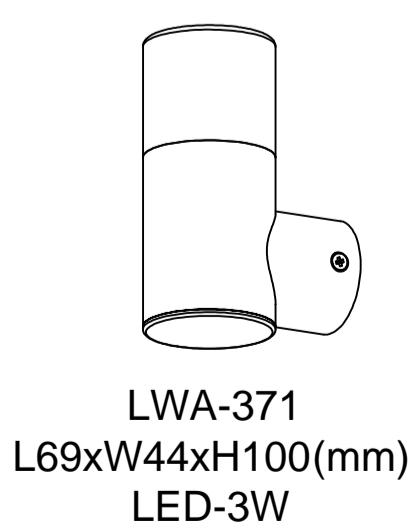
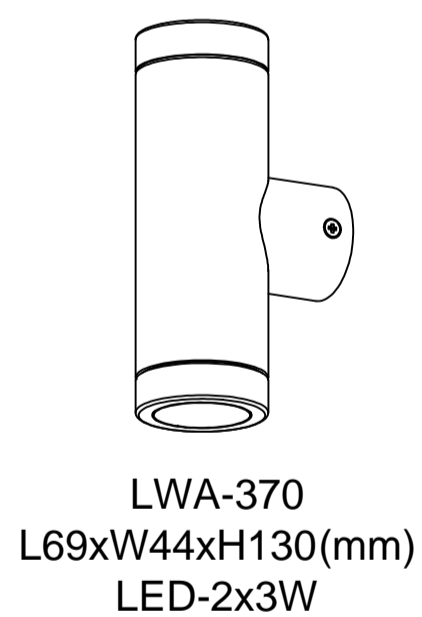
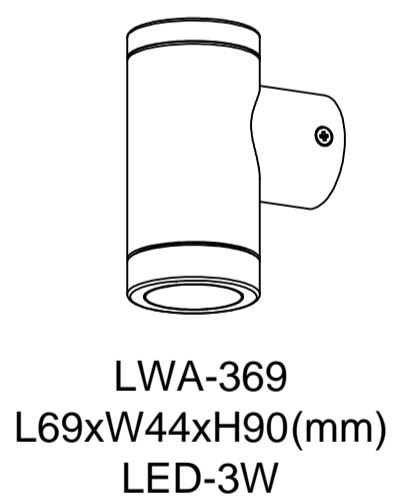
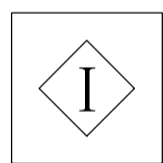
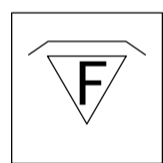
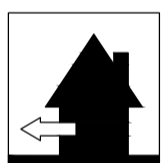
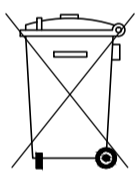


- 01.SWITCH OFF MAIN
- 02.MAKE HOLE PATTERN
- 03.INSTALL THE BASE PLATE
- 04.CONNECT LAMP TO THE MAIN
- 05.DRIVE IN THE SCREWS UNTILL TIGHT
- 06.SWITCH ON THE MAIN
07. LIGHT ON



Lamp: CREE COB LED
Color: 2700K/3000K/4000K/6000K
Color rendering: Ra90
Input: 100V-240V AC
Current: Constant 300mA
Frequency: 50/60Hz
Watt: 3W/6W
Life span: 20,000hrs
Operating temp: -20°C--+40°C
IP65
Dimmable: NO

Cautions: a.Installed by qualified electrician
b.Use only power-supply supplied
by manufacturer for products guarantee