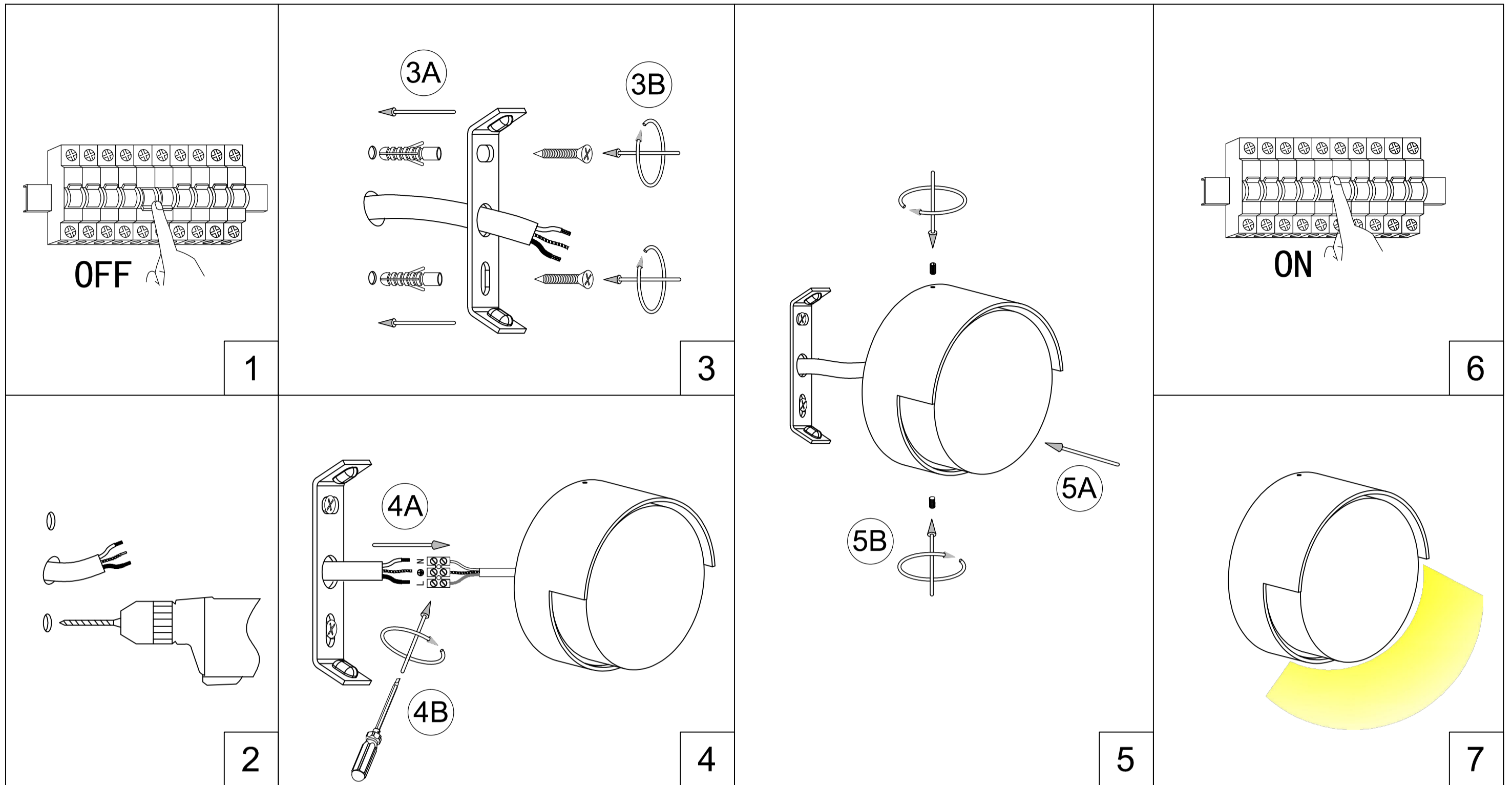
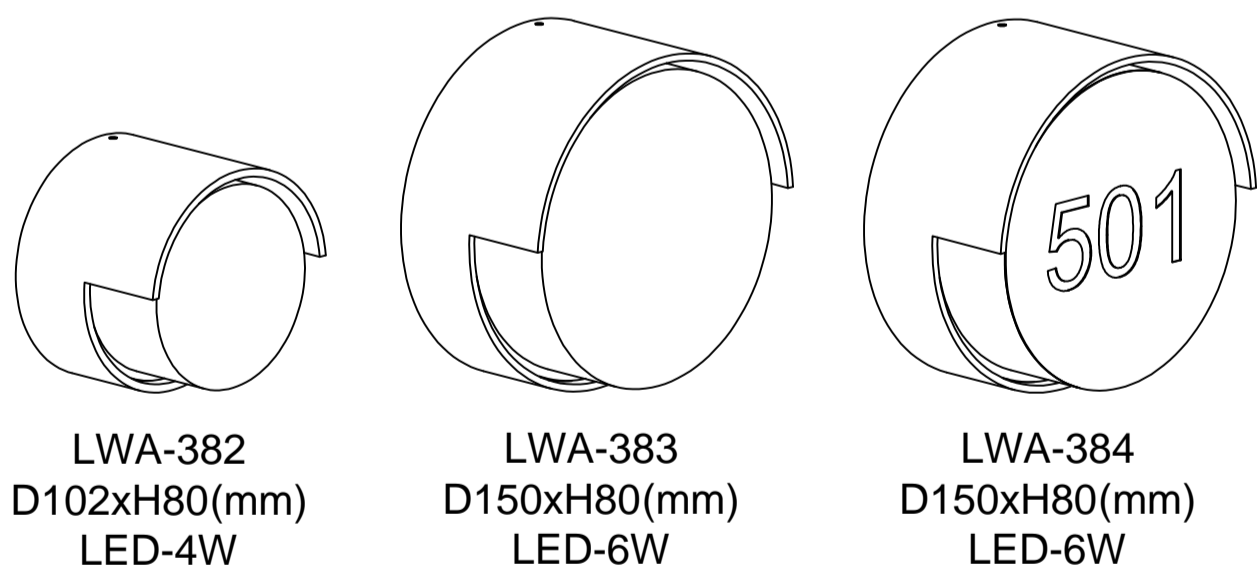
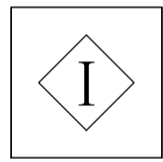
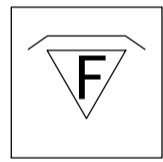
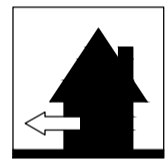
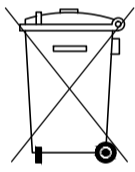


**LWA-382 LWA-383 LWA-384  
LWA-385 LWA-386**

**USER MANUAL  
LED OUTDOOR WALL LAMP**



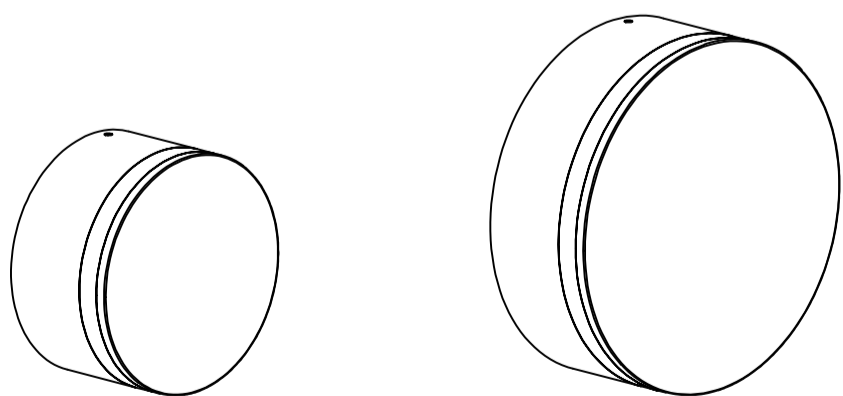
- 01.SWITCH OFF MAIN
- 02.MAKE HOLE PATTERN
- 03.INSTALL THE BASE PLATE
- 04.CONNECT LAMP TO THE MAIN
- 05.DRIVE IN THE SCREWS UNTILL TIGHT
- 06.SWITCH ON THE MAIN AND LIGHT ON



LWA-382  
D102xH80(mm)  
LED-4W

LWA-383  
D150xH80(mm)  
LED-6W

LWA-384  
D150xH80(mm)  
LED-6W



LWA-385  
D102xH55(mm)  
LED-4W

LWA-386  
D150xH55(mm)  
LED-12W

Lamp : SMD-2835 LED  
 Color : 2700K/3000K/4000K/6000K  
 Color rendering : Ra80  
 Input : 100V-240V AC  
 Current : Constant 300mA  
 Frequency : 50/60Hz  
 Watt : 4W/6W/12W  
 Life span : 20,000hrs  
 Operating temp : -20°C--+40°C  
 IP65  
 Dimmable : NO

Cautions: a.Installed by qualified electrician  
 b.Use only power-supply supplied  
 by manufacturer for products guarantee