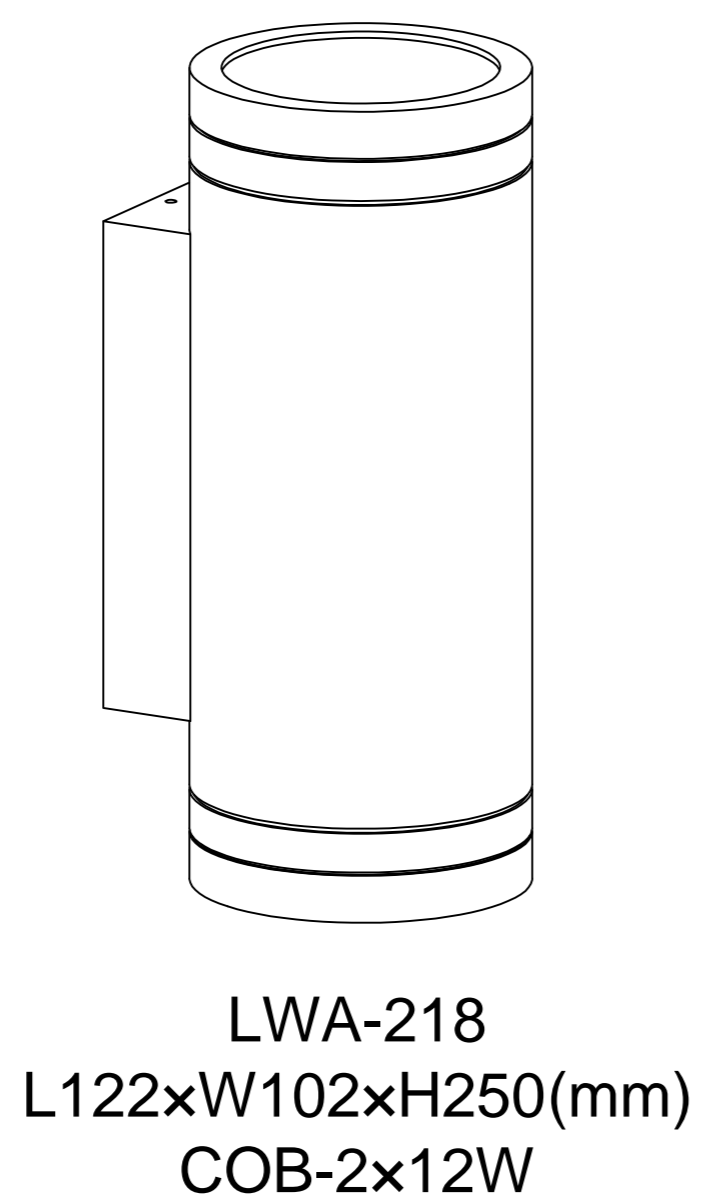
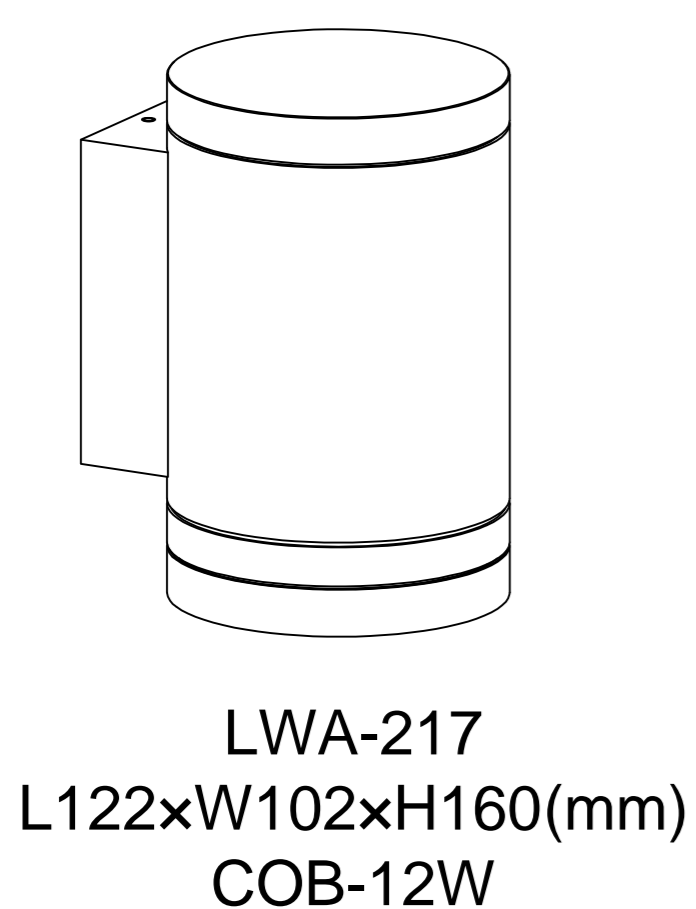
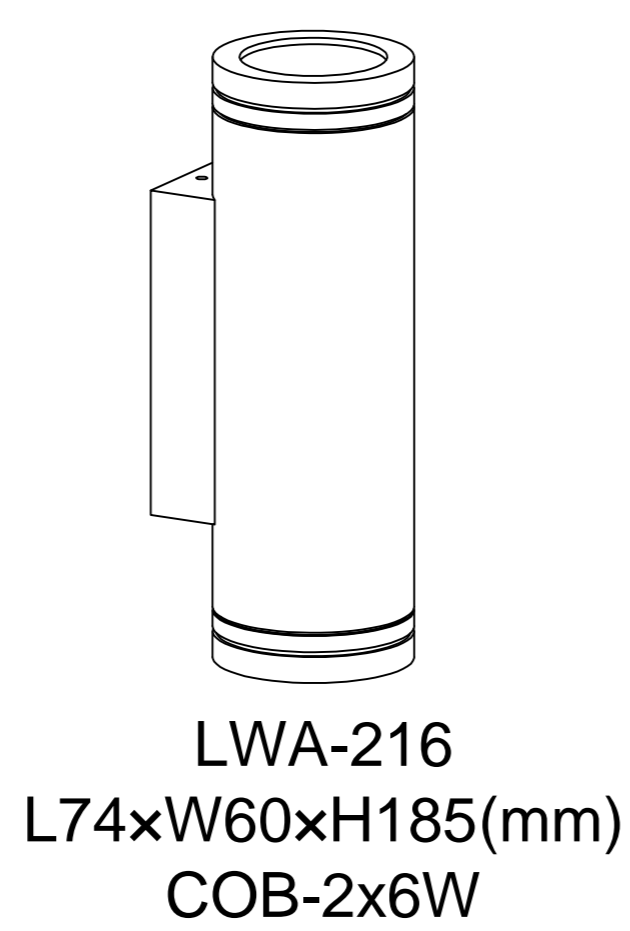
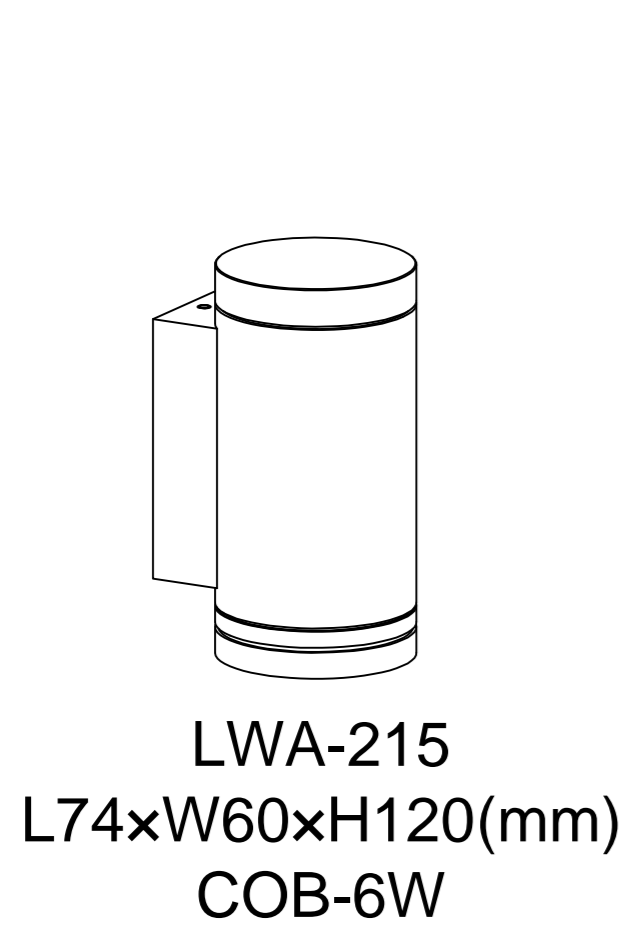
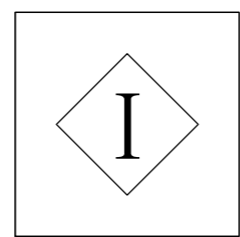
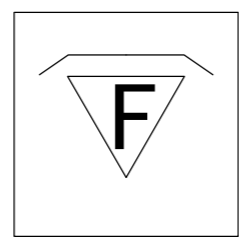
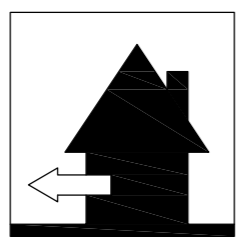
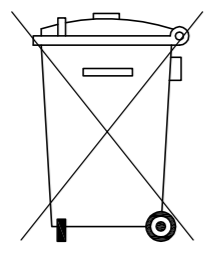
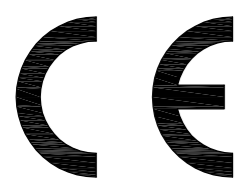


- 01.SWITCH OFF MAIN
- 02.MAKE HOLE PATTERN
- 03.INSTALL THE BASE PLATE
- 04.CONNECT LAMP TO THE MAIN
- 05.DRIVE IN THE SCREWS UNTILL TIGHT
- 06.SWITCH ON THE MAIN AND LIGHT ON



Lamp:COB-LED

Color: 6000/4000/3000K

Color rendering: Ra80

Input: 100V-240V AC

Current: Constant 600/300mA

Frequency: 50/60Hz

Watt: 6/2x6/12/2x12W

Life span: 20,000hrs

Operating temp: -20°C-+40°C

IP65

Dimmable: NO

Cautions: a.Installed by qualified electrician
b.Use only power-supply supplied
by manufacturer for products guarantee