

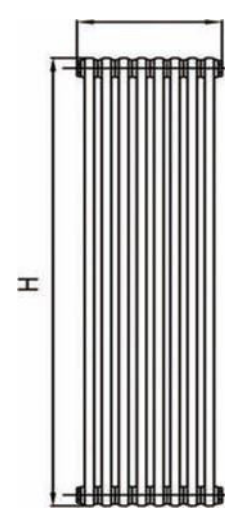
Radiator Name: Traditional Column 3

This product must be fitted only by a fully qualified installer

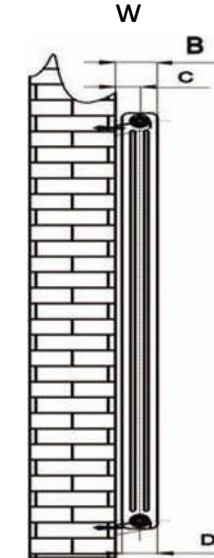
Description	Illustration	Qty
Radiator		1
Bracket		4
Fixing Screw		4
Air Vent		1
End Plug		1

Front

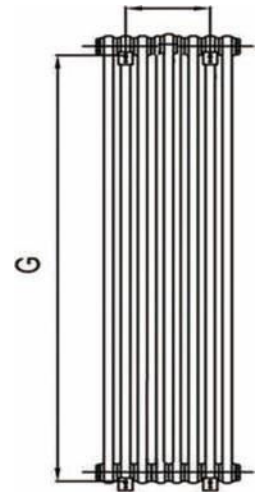
View



Side View



Back View



GENERAL RECOMMENDATION

Before fitting the radiator, it is necessary to wash out the heating system to remove any existing mud, scale, work residues, traces of flux, oil etc...

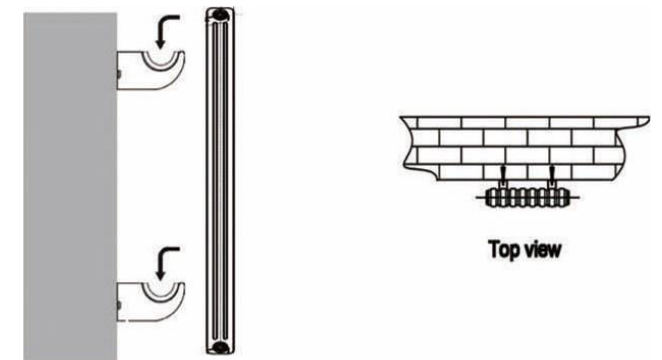
When the system water PH is outside the 5.5 - 8.5 range and/or when the dissolved is above 0.1mg/litre, it is always needed to protect the heating system components(the radiator is one of these) with a proper chemical treatment compatible with all parts in contact with water(Silicon rubber too).

In order to fit the radiator to the wall, it is necessary to choose the proper fixings for the wall material.

If the system water exceeds 50 degrees Celsius, please install a warning mark near the radiator to avoid any accidental scald. Clean the radiator surface only with a soft cloth to avoid scratching the finish and do not use chemicals against during cleaning operations,

It is prohibited to climb onto the radiator.

Maximum working temperature is 95 centigrade degree. Maximum working pressure is 6 bar.



Hang radiator on brackets.

Product Code	Rproduct Name	pipe number	Height	Width	Thickness	Hanger Axes Horizontal	Wall to front face of the bracket	Hanger Axes	Wall to pipe center distance	Empty Weight	Water volume
				w		s			c		
			mm	mm	mm	mm	mm	mm	mm	mm	
RV-CS33018	Colum 3 300 X 830	18	300	830	100	675	118	225	68	15.8	10.40
RV-CS33021	Colum 3 300 X 965	21	300	965	100	810	118	225	68	18.4	12.14
RV-CS33026	Colum 3 300 X 1190	26	300	1190	100	1035	118	225	68	22.8	15.03
RV-CS33030	Colum 3 300 X 1370	30	300	1370	100	1215	118	225	68	26.3	17.34
RV-CS34009	Colum 3 400 X 425	9	400	425	100	270	118	325	68	9.7	6.53
RV-CS34013	Colum 3 400 X 605	13	400	605	100	450	118	325	68	14.0	9.43
RV-CS34018	Colum 3 400 X 830	18	400	830	100	675	118	325	68	19.4	13.05
RV-CS34021	Colum 3 400 X 965	21	400	965	100	810	118	325	68	22.6	15.23
RV-CS34026	Colum 3 400 X 1190	26	400	1190	100	1035	118	325	68	28.0	18.86
RV-CS34030	Colum 3 400 X 1370	30	400	1370	100	1215	118	325	68	32.3	21.76
RV-CS35009	Colum 3 500 X 425	9	500	425	100	270	118	425	68	11.7	7.85
RV-CS35013	Colum 3 500 X 605	13	500	605	100	450	118	425	68	16.9	11.34
RV-CS35018	Colum 3 500 X 830	18	500	830	100	675	118	425	68	23.1	15.70
RV-CS35021	Colum 3 500 X 965	21	500	965	100	810	118	425	68	26.9	18.32
RV-CS35026	Colum 3 500 X 1190	26	500	1 190	100	1035	118	425	68	33.3	22.68
RV-CS35030	Colum 3 500 X 1370	30	500	1370	100	1215	118	425	68	38.4	26.17
RV-CS36009	Colum 3 600 X 425	9	600	425	100	270	118	525	68	13.5	9.18
RV-CS36013	Colum 3 600 X 605	13	600	605	100	450	118	525	68	19.5	13.26
RV-CS36018	Colum 3 600 X 830	18	600	830	100	675	118	525	68	29.7	18.36
RV-CS36021	Colum 3 600 X 965	21	600	965	100	810	118	525	68	34.4	21.42
RV-CS36026	Colum 3 600 X 1190	26	600	1190	100	1035	118	525	68	42.5	26.51
RV-CS36030	Colum 3 600 X 1370	30	600	1370	100	1215	118	525	68	48.8	30.59
RV-CS37509	Colum 3 750 X 425	9	750	425	100	270	118	675	68	16.2	11.17
RV-CS37513	Colum 3 750 X 605	13	750	605	100	450	118	675	68	23.4	16.13
RV-CS37518	Colum 3 750 X 830	18	750	830	100	675	118	675	68	32.0	22.33
RV-CS37521	Colum 3 750 X 965	21	750	965	100	810	118	675	68	37.4	26.06
RV-CS37526	Colum 3 750 X 1190	26	750	1 190	100	1035	118	675	68	46.3	32.26
RV-CS37530	Colum 3 750 X 1370	30	750	1370	100	1215	118	675	68	53.4	37.22
RV-CS31509	Colum 3 1500 X 425	9	1500	425	100	270	118	1425	68	30.7	21.11
RV-CS31511	Colum 3 1500 X 515	11	1500	515	100	360	118	1425	68	37.5	25.80
RV-CS31805	Colum 3 1800 X 245	5	1800	245	100	90	118	1725	68	20.6	13.94
RV-CS31807	Colum 3 1800 X 335	7	1800	335	100	180	118	1725	68	28.6	19.51
RV-CS31809	Colum 3 1800 X 425	9	1800	425	100	270	118	1725	68	36.7	25.09
RV-CS31811	Colum 3 1800 X 515	11	1800	515	100	360	118	1725	68	44.9	30.66
RV-CS31812	Colum 3 1800 X 560	12	1800	560	100	405	118	1725	68	49.0	33.45