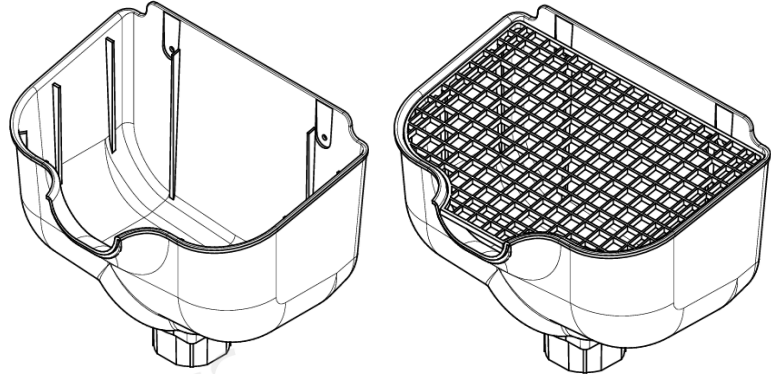


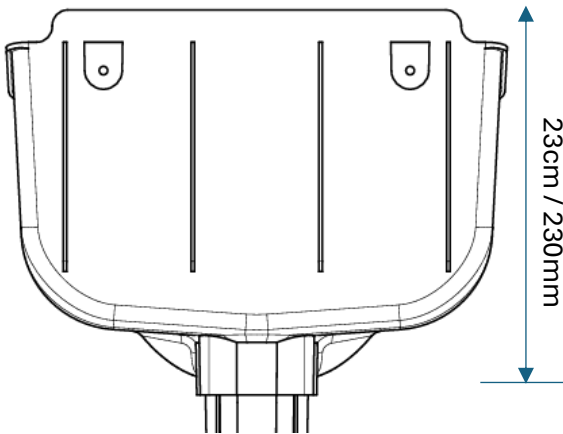
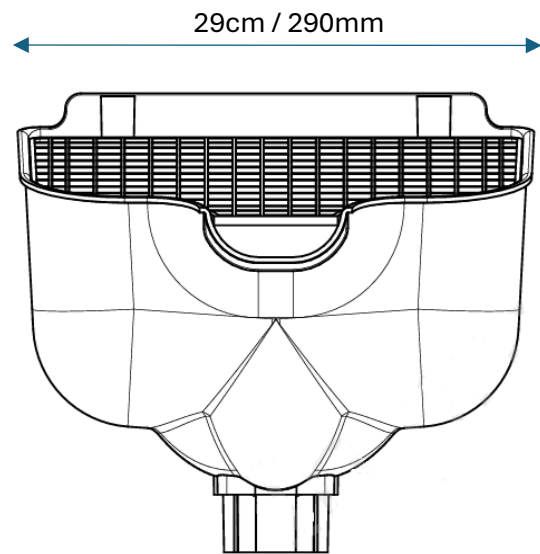
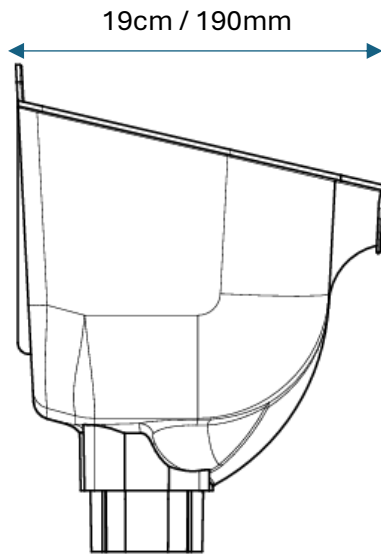
PROPER HOPPER®

Engineered rainwater head suitable for refurbishment and new-build applications, compatible with both period and contemporary architectural styles.

It has an octagonal outlet that fits into either the 68mm circular or 65mm square (Ogee) downpipe.



Size & Dimensions



Specifications

Property	Value
Material:	ASA (UV-resistant) Premium grade
Colour Options:	Black / White / Anthracite Grey
Overall Width:	290mm
Overall depth:	190mm
Overall height:	230mm
Outlet Configuration:	Octagonal universal outlet
Compatible pipe sizes:	68mm round / 65mm square / 60–80mm (US style)
Unit weight (approx.)	0.55 kg
Manufacturer's warranty:	10 years.
Designed for compatibility with rainwater systems manufactured in accordance with: BS EN 607 and BS EN 12200	

PROPER HOPPER®

Info@properhopper.co.uk
www.properhopper.co.uk

Peterborough, Cambridgeshire

Technical Data Sheet – PH100 – Rev 01 – February 2026

