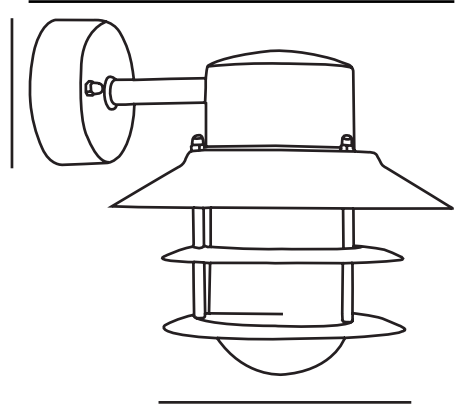


BLOKHUS DOWN | WALL LIGHT | GALVANIZED

nordlux®

25051031



Voltage (V): 230 Volt
IP degree: IP54
Maximum bulb wattage (W): 60
Class (Class 1, Class 2, Class 3):
Class 1 (Earth contact)
Socket type: E27
Parallel connection: True

Height (cm) : 23
Shade Diameter (cm): 22
Projection (cm): 25
EAN: 5701581122048
TUN: 5061467
Item Number: 25051031
Pcs Per Master Carton: 3

Sales Box Height (cm): 23
Sales Box Width(cm): 22
Sales Box Depth (cm): 23
Sales Box Volume m³ : 0.0116
Product net weight (kg): 1.196

Primary material: Galvanized steel
Secondary material: Glass
Colour of the glass: Clear
Suitable for Seaside: True
Colour: Galvanized

- Built-in parallel connection
- Extra durable material suitable for coastal areas (Designed For Seaside)
- 15-year guarantee on surface deterioration

A classic light fixture from Nordlux, suitable for mounting in the driveway, at the entrance, on the terrace, or on the patio. This model is designed with a downward facing shade.

This product is part of our "Designed For Seaside" range, crafted from extra durable materials to withstand even the harshest coastal weather conditions.

Over time, exposure to the elements causes the galvanised steel to develop a beautiful, darker patina.