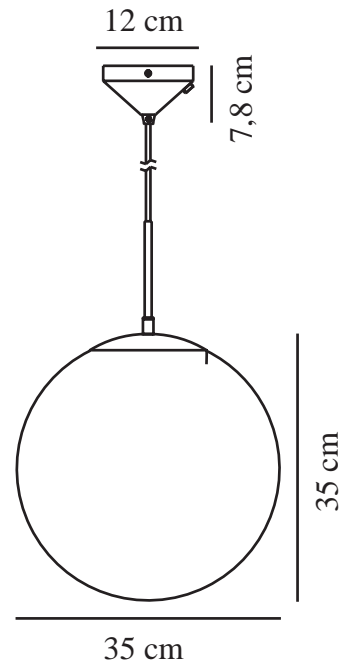


# GRANT 35 | CEILING PENDANT | BRASS

2010573035

nordlux®



Voltage (V): 220-240 Volt  
IP degree: IP20  
Maximum bulb wattage (W): 25  
Class (Class 1, Class 2, Class 3):  
Class 2 (Double isolated)  
Socket type: E27  
Parallel connection: False

Primary material: Glass  
Secondary material: Metal  
Colour of the glass: Opal white  
Colour of the cable: White  
Length of the cable (cm): 200  
Surface material of the cable:  
Plastic  
Is the cable replaceable: False  
Colour: Brass

Height (cm) : 50  
Width (cm): 35  
Shade Diameter (cm): 35  
Shade Height (cm): 35  
Lenght (cm): 35

EAN: 5704924001123  
TUN: 2100564  
Item Number: 2010573035  
Pcs Per Master Carton: 2

Sales Box Height (cm): 47  
Sales Box Width(cm): 37  
Sales Box Depth (cm): 37  
Sales Box Volume m<sup>3</sup> : 0.0643  
Product net weight (kg): 1.723

- Glamorous modern style • Decorative brass canopy
- Provides a soft, diffused light • Matte white opal mouth blown glass

Grant balances simplicity and elegance in the best way imaginable, where all the unnecessary decorations are removed, allowing the shape and materials to stand out. The beautiful luminous spherical glass dome is enclosed by its frame, creating a complete and decorative whole.

Grant pendant contributes to one of today's major design trends with the use of brass and white opal glass. An elegant detail is the canopy in brass, which creates a complete whole between the top of the pendant and the canopy. Grant is beautiful both individually and in clusters and can be combined with the other pendant sizes in the series.

[www.nordlux.com](http://www.nordlux.com)

The glass in this lamp is mouth-blown and has been individually hand crafted. Due to this unique process, air bubbles may