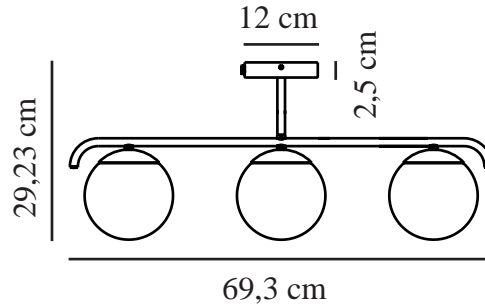


GRANT 3-SPOT | CEILING LIGHT | BRASS

2010583035

nordlux®



Voltage (V): 230 Volt
IP degree: IP20
Maximum bulb wattage (W): 3x25
Class (Class 1, Class 2, Class 3):
Class 2 (Double isolated)
Socket type: E14

Height (cm) : 29.2
Width (cm): 14.5
Shade Diameter (cm): 14.5
Length (cm): 69.3

Sales Box Height (cm): 75
Sales Box Width(cm): 17
Sales Box Depth (cm): 25
Sales Box Volume m³ : 0.0319
Product net weight (kg): 1.3

Primary material: Glass
Secondary material: Metal
Colour of the glass: Opal white
Surface material of the cable:
Plastic
Is the cable replaceable: False
Colour: Brass

EAN: 5704924001147
TUN: 2100566
Item Number: 2010583035
Pcs Per Master Carton: 3

- Glamorous modern style • Three glass domes that emit a soft light
- Provides a soft, diffused light • Matte white opal mouth blown glass

Grant balances simplicity and elegance in the best way imaginable, where all the unnecessary decorations are removed, allowing the shape and materials to stand out. The beautiful luminous spherical glass dome is enclosed by its frame, creating a complete and decorative whole.

Grant ceiling is a beautiful alternative to the traditional pendant. The three stunning domes in white opal glass provide a nice general light, and simultaneously the lamp does not take up unnecessary space, which is why Grant for example is suitable in the entrance or hallway. Moreover, Grant contributes to one of today's great design trends with the use of brass and white opal glass.

The glass in this lamp is mouth-blown and has been individually hand crafted. Due to this unique process, air bubbles may appear in the glass and the thickness of the glass can also vary. This gives the glass its character and vivid appearance.

www.nordlux.com