

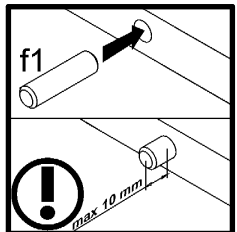
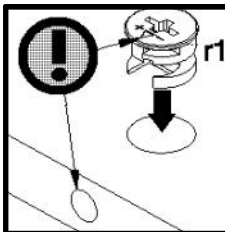
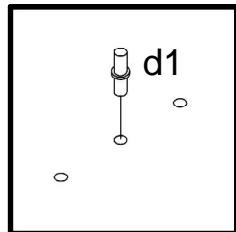
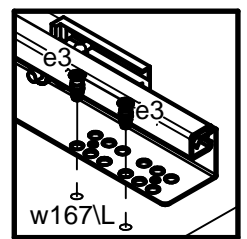
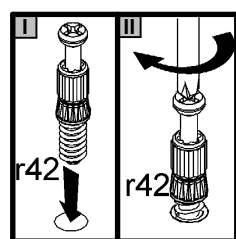
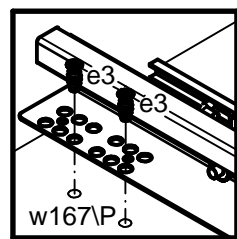
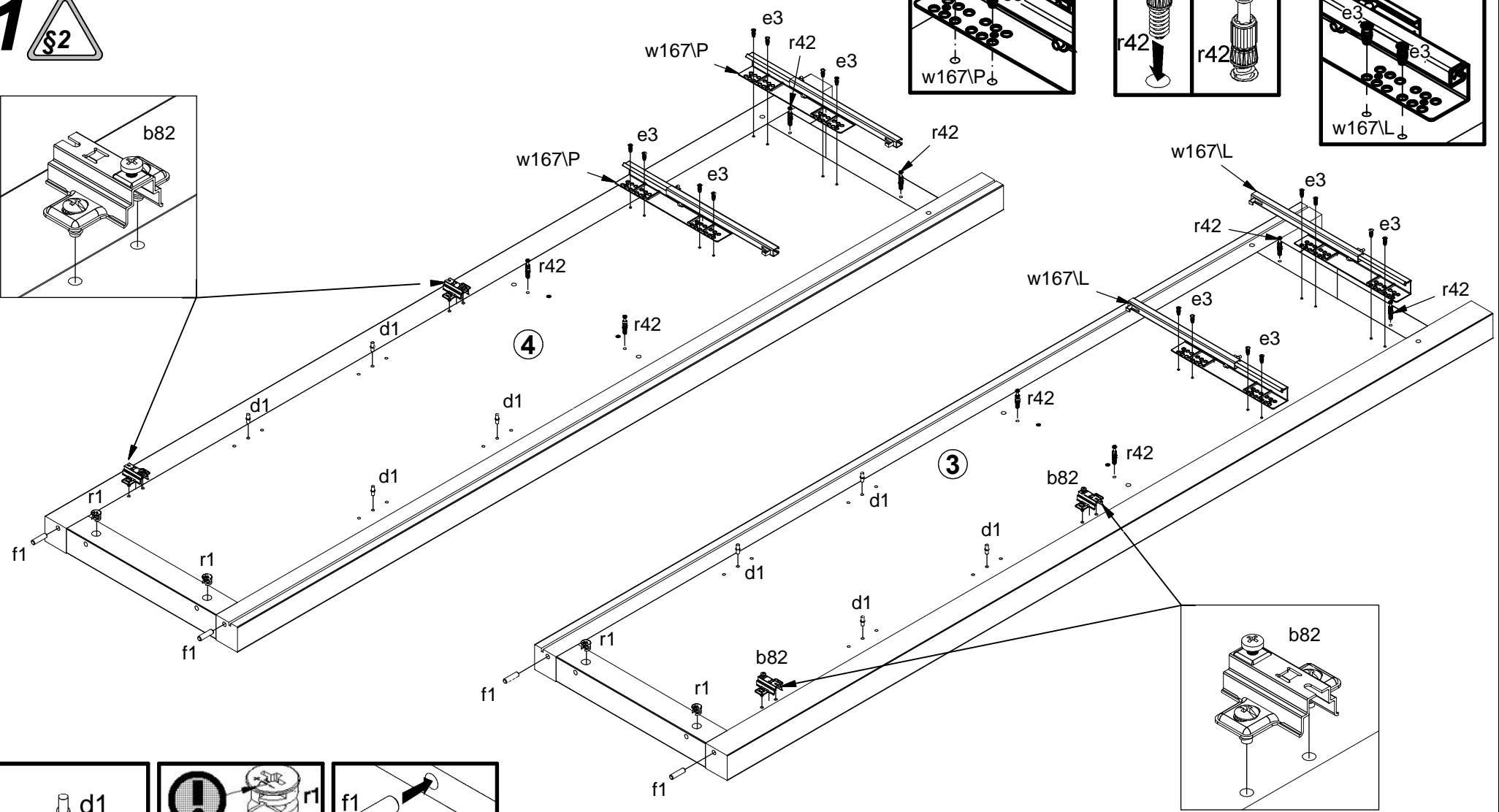
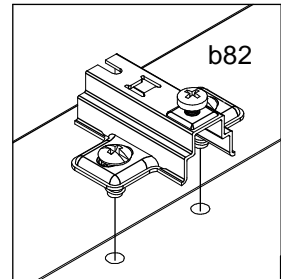
| A  | B         | C1   | C2   | C3  | D   |
|----|-----------|------|------|-----|-----|
| 1  | S503-0005 | 281  | 904  | 16  | 2/3 |
| 2  | S503-0006 | 940  | 451  | 16  | 2/3 |
| 3  | S503-1009 | 1768 | 445  | 50  | 3/3 |
| 4  | S503-1010 | 1768 | 445  | 50  | 3/3 |
| 5  | S503-2003 | 1059 | 470  | 28  | 1/3 |
| 6  | S503-3005 | 909  | 405  | 22  | 1/3 |
| 7  | S503-3006 | 910  | 405  | 16  | 2/3 |
| 8  | S503-3007 | 910  | 405  | 16  | 2/3 |
| 10 | S503-5008 | 910  | 50   | 19  | 2/3 |
| 11 | S503-9303 | 1637 | 921  | 2,5 | 3/3 |
| 12 | WSP-9243  | 880  | 358  | 2,5 | 1/3 |
| 13 | WTQ-5324  | 870  | 167, | 16  | 1/3 |
| 14 | ZQ6-503   | 350  | 180  | 12  | 1/3 |
| 15 | ZQ6-504   | 350  | 180  | 12  | 1/3 |

|        |         |         |         |
|--------|---------|---------|---------|
| 4x<br> | 4x<br>  | 6x<br>  | 8x<br>  |
| 7x<br> | 16x<br> | 12x<br> | 8x<br>  |
| 4x<br> | 18x<br> | 10x<br> | 2x<br>  |
| 2x<br> | 2x<br>  | 2x<br>  | 40x<br> |
| 8x<br> | 4x<br>  | 4x<br>  | 12x<br> |
| 8x<br> | 20x<br> | 4x<br>  | 2x<br>  |
| 2x<br> |         |         |         |

|        |        |        |        |
|--------|--------|--------|--------|
| 1x<br> | 1x<br> | 1x<br> | 2x<br> |
|--------|--------|--------|--------|

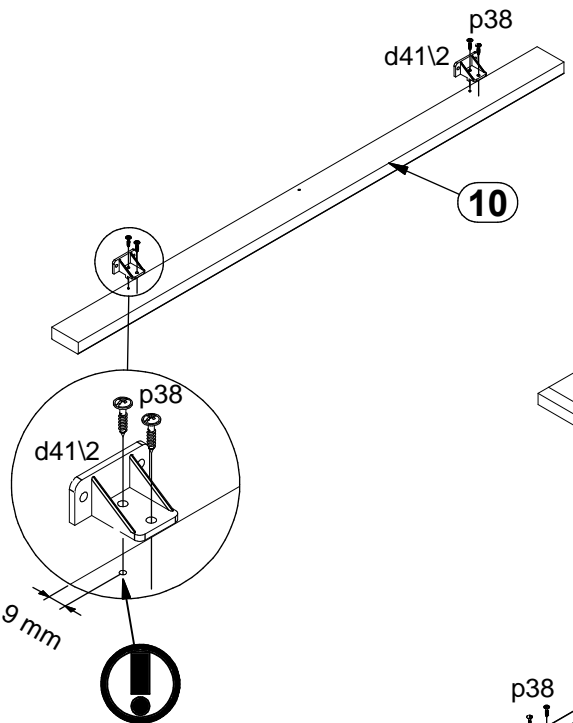
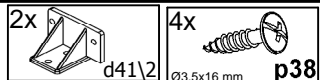


- 2x r1  $\varnothing 15 \times 12 \text{ mm} \#16$
- 2x f1  $\varnothing 8 \times 30 \text{ mm}$
- 4x r42  $20 \times 11$
- 2x b82
- 4x d1  $\varnothing 5 \times 17 \text{ mm}$
- 8x e3  $\varnothing 6 \times 13 \text{ mm}$
- 2x w167P 350 mm



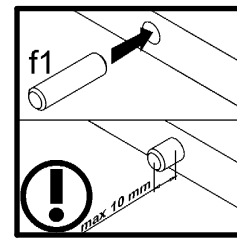
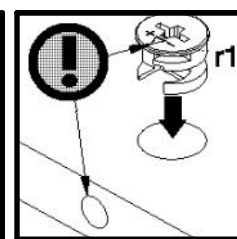
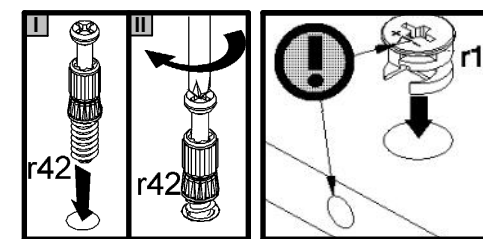
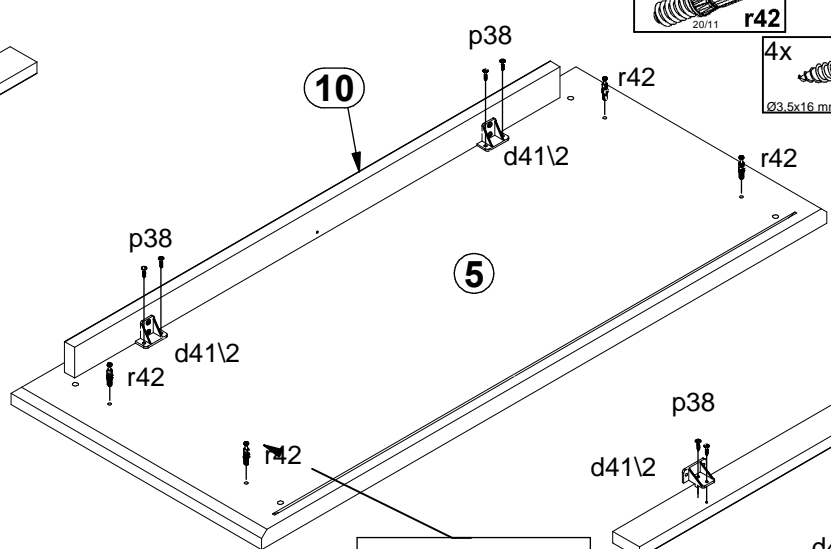
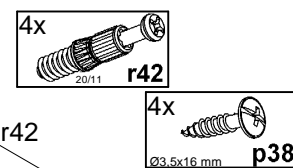
- 8x e3  $\varnothing 6 \times 13 \text{ mm}$
- 2x w167L 350 mm
- 2x r1  $\varnothing 15 \times 12 \text{ mm} \#16$
- 2x f1  $\varnothing 8 \times 30 \text{ mm}$
- 4x r42  $20 \times 11$
- 2x b82
- 4x d1  $\varnothing 5 \times 17 \text{ mm}$

1



10

5

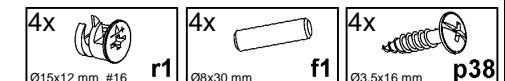
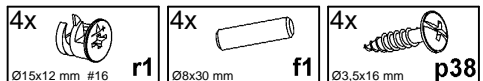
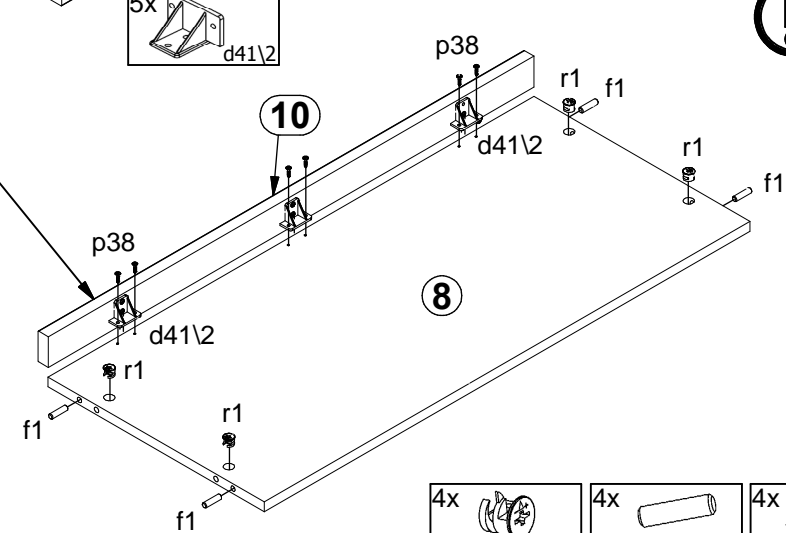
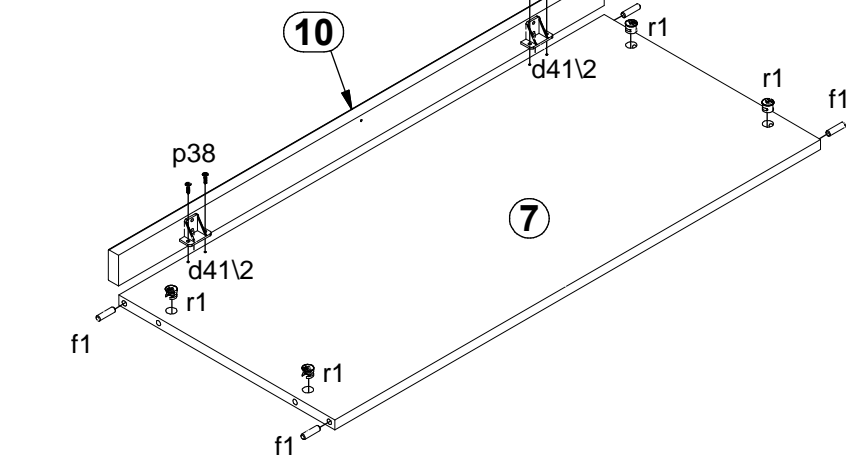
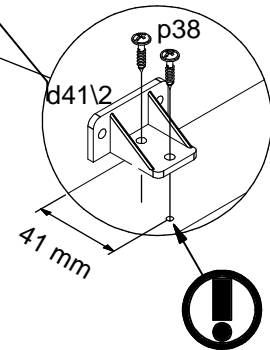
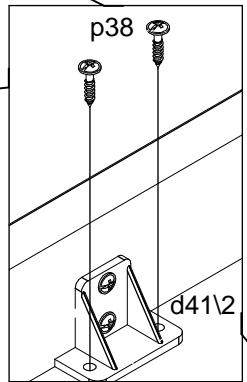
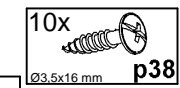


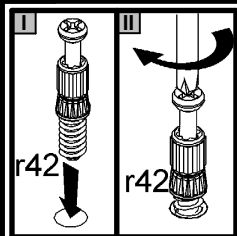
10

10

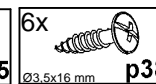
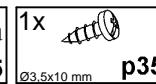
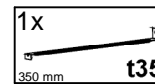
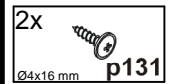
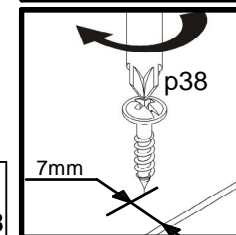
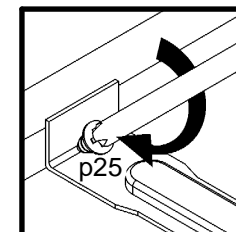
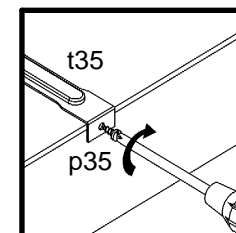
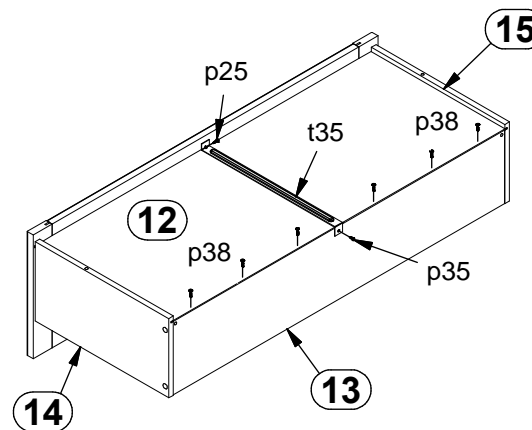
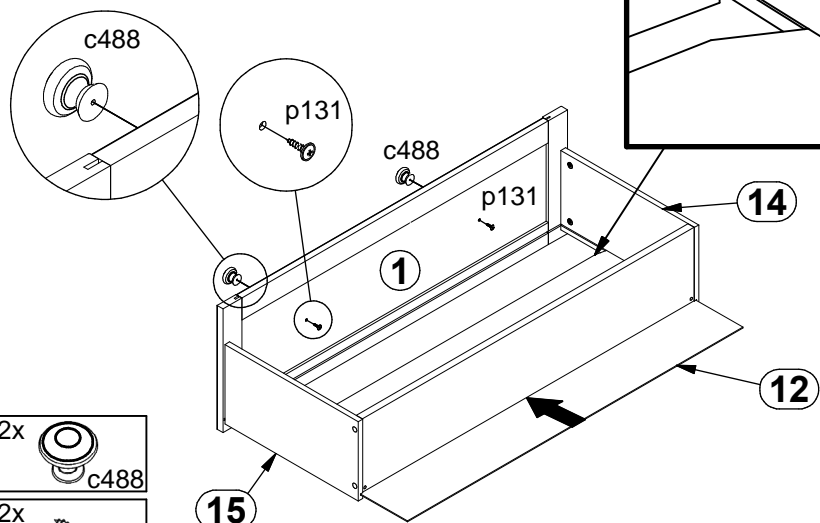
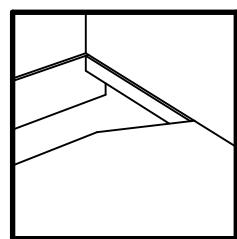
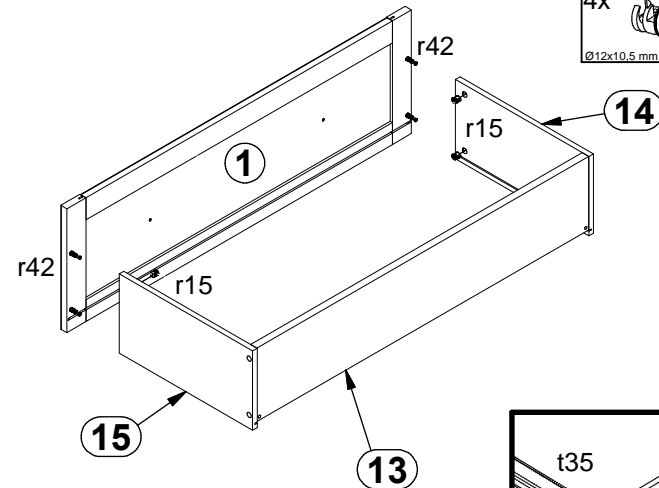
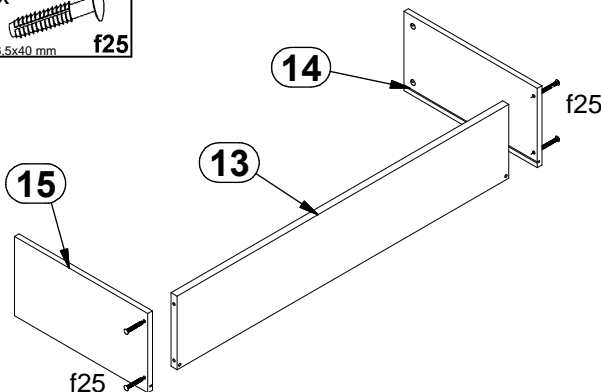
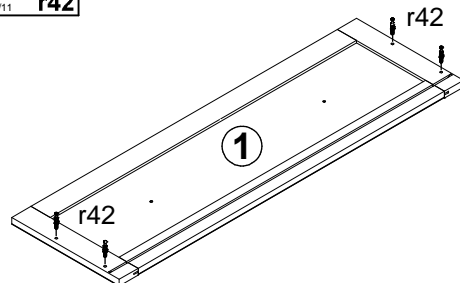
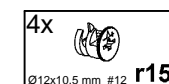
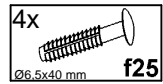
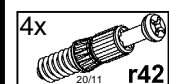
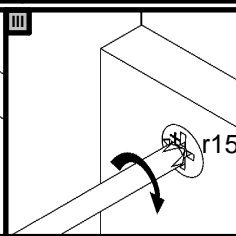
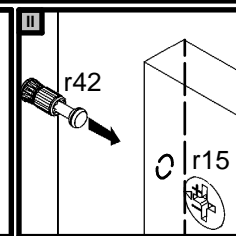
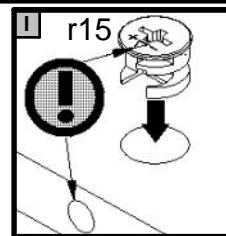
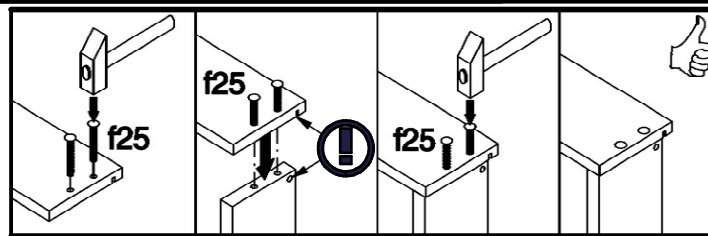
10

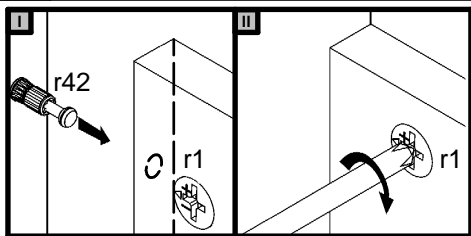
8



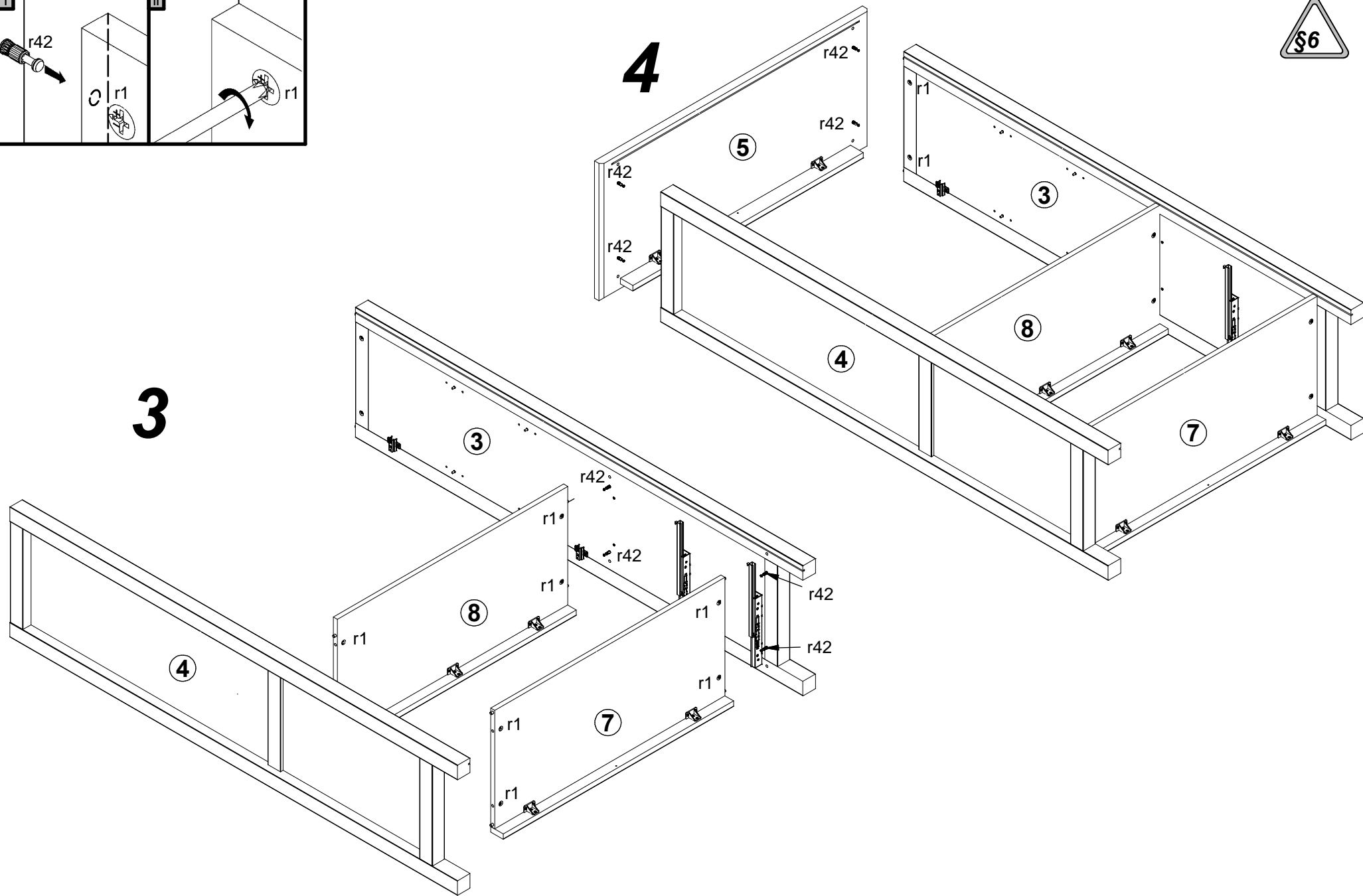


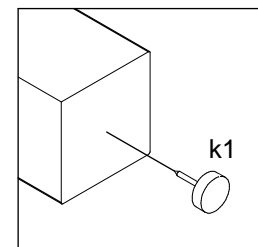
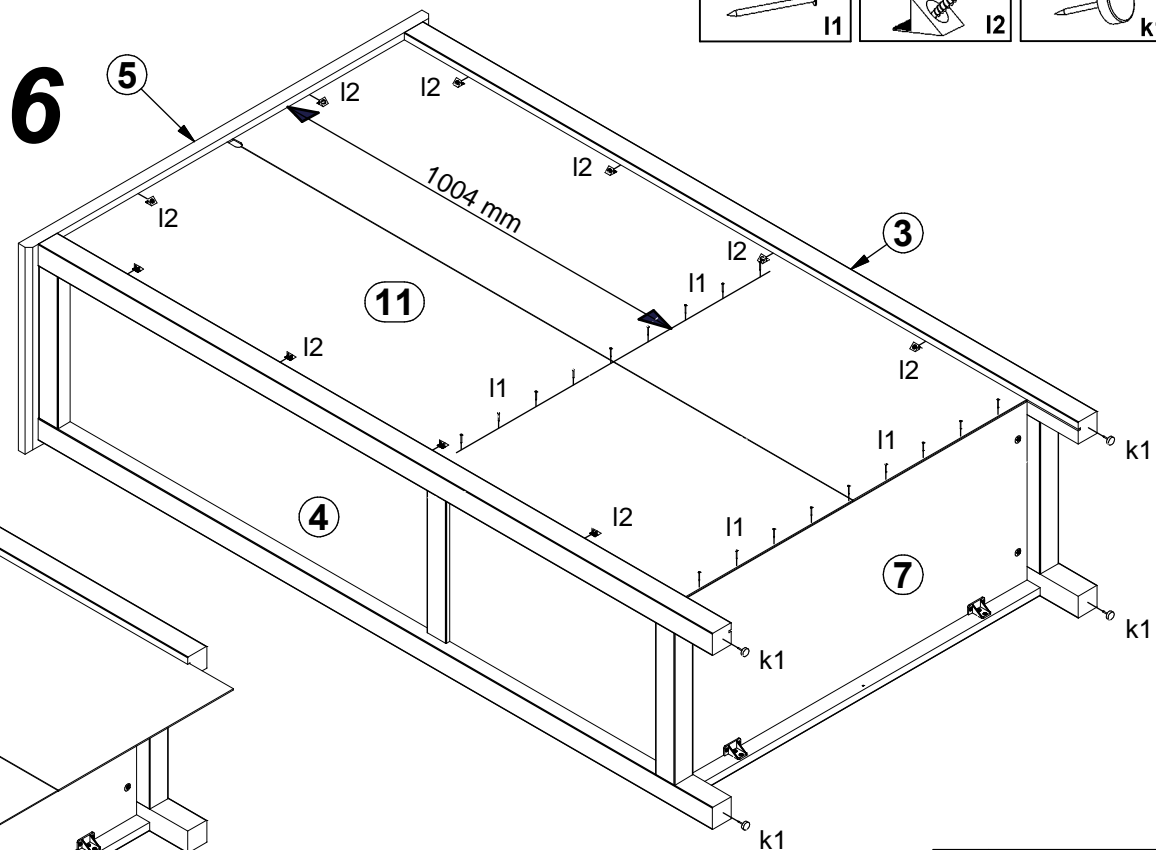
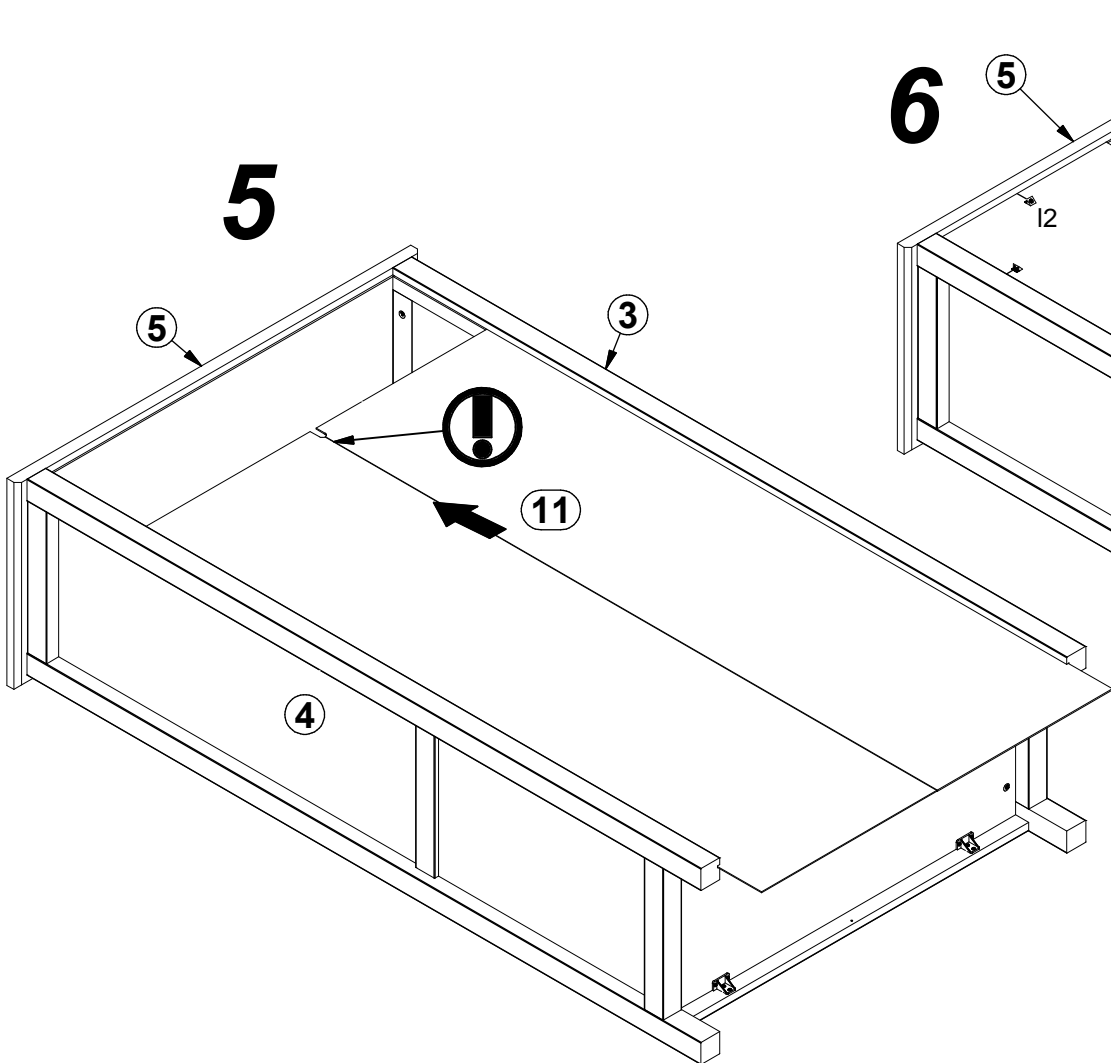
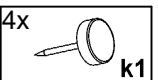
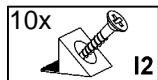
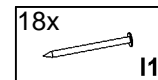
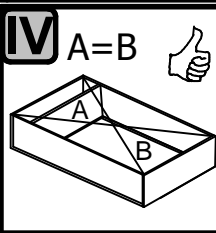
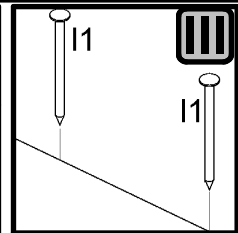
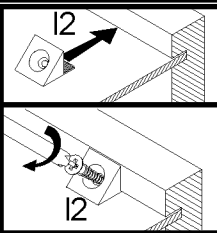
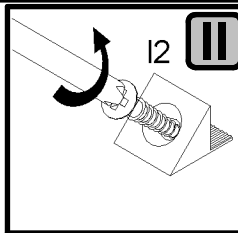
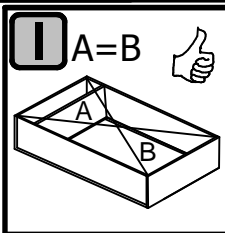
2  
x2  
§7  
§6

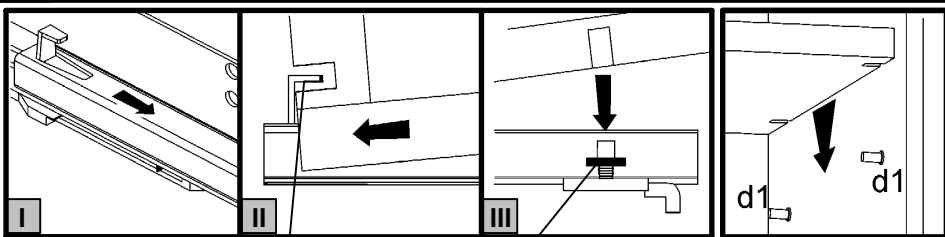




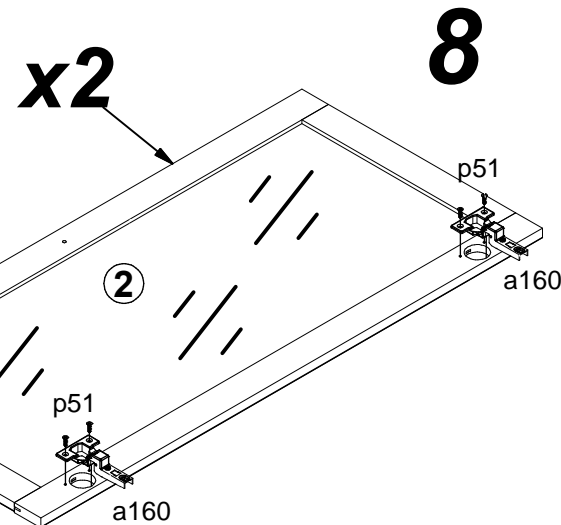
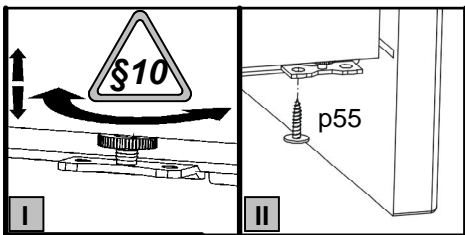
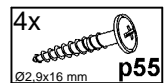
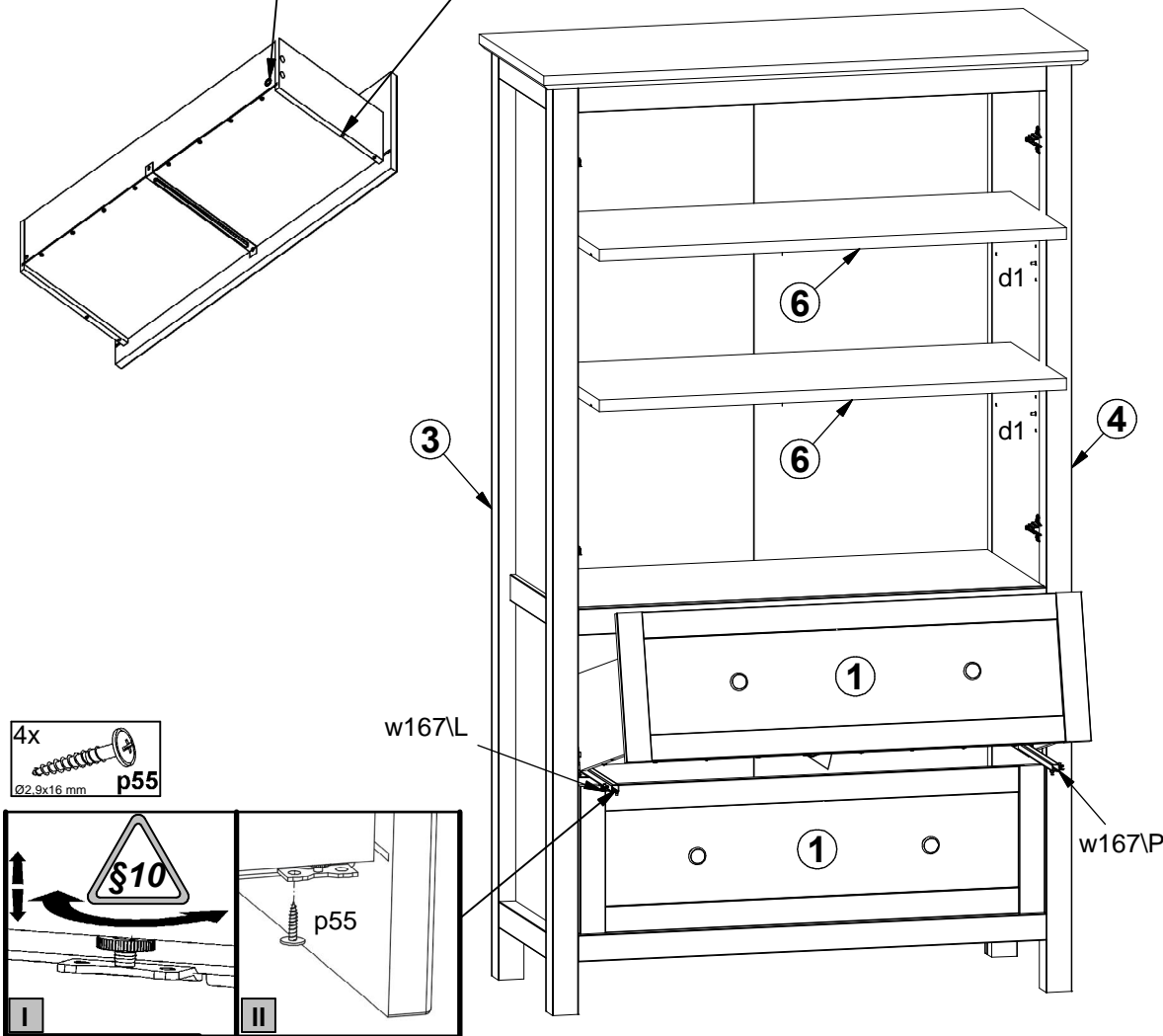
4



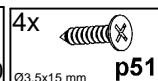
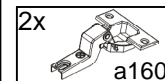
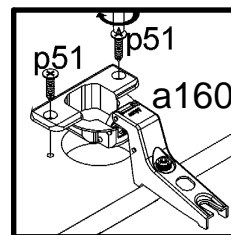


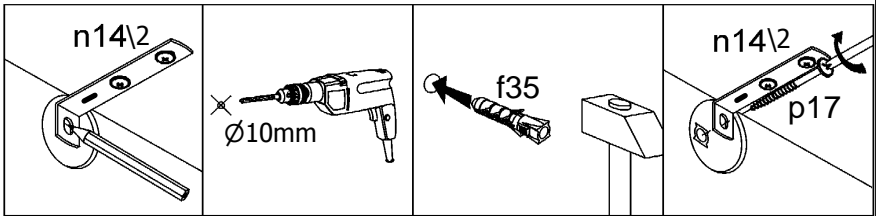


7

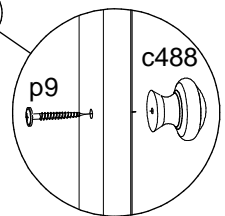
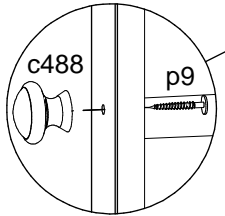
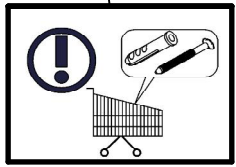
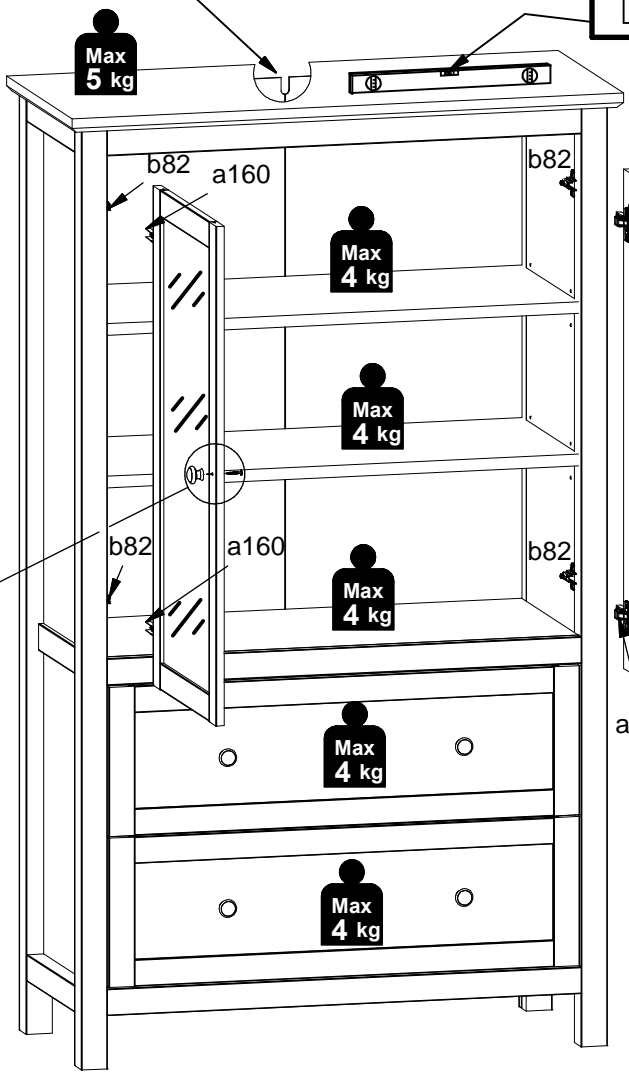
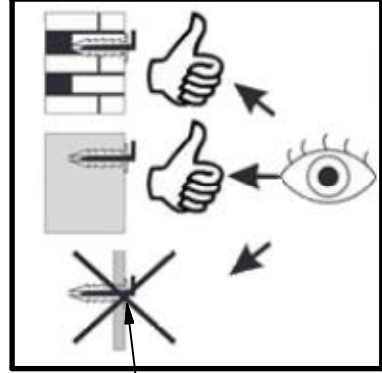
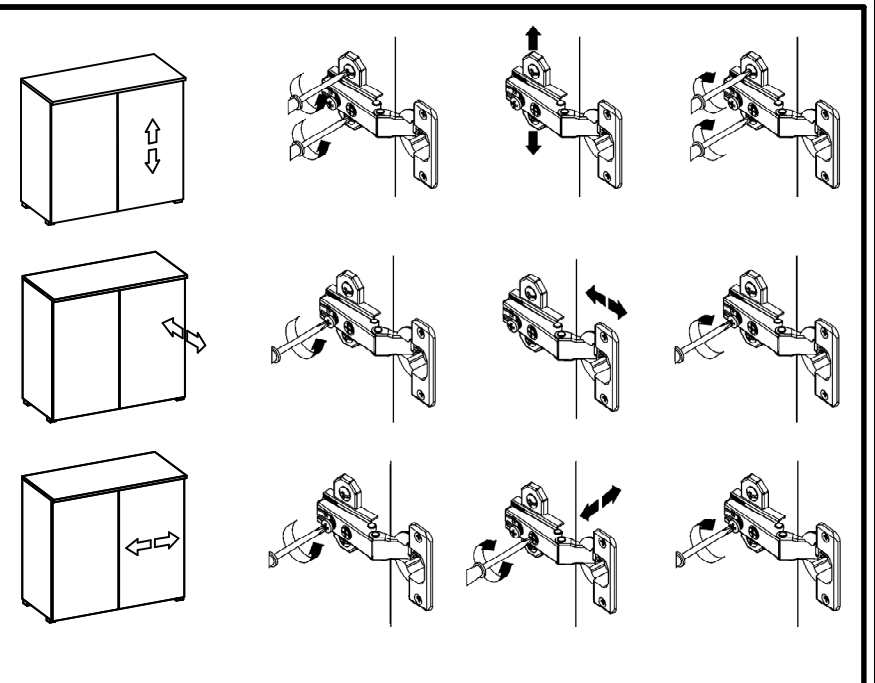


8





9



- |                        |                            |                       |                         |
|------------------------|----------------------------|-----------------------|-------------------------|
| 4x<br>Ø 20mm<br>s68    | 4x<br>Ø2.9x16 mm<br>p55    | 2x<br>Ø4x30 mm<br>p9  | 2x<br>c488              |
| 1x<br>Ø10x50 mm<br>f35 | 1x<br>Ø6x21x15/1.5<br>n142 | 1x<br>Ø5x60 mm<br>p17 | 2x<br>Ø3.5x16 mm<br>p38 |

