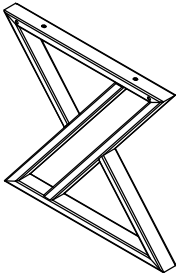
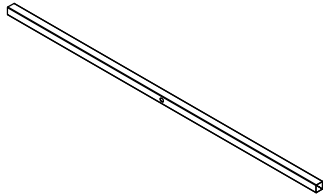


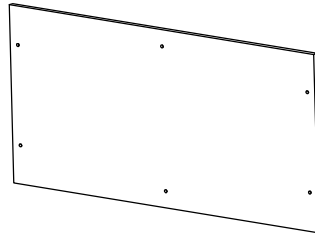
Ax2



Bx2



Cx1



Dx4



Ex6

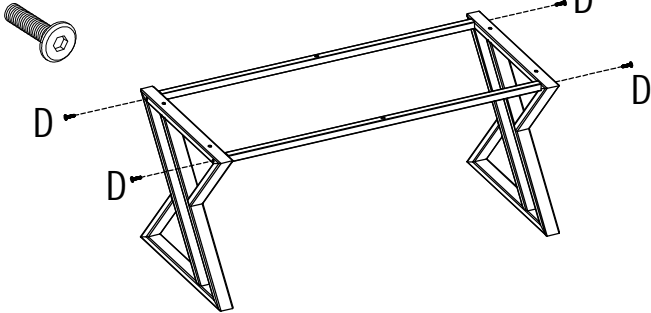


Fx1



1

Dx4



2

Ex6

