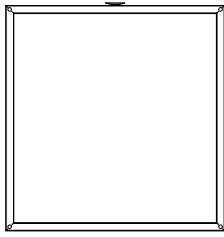
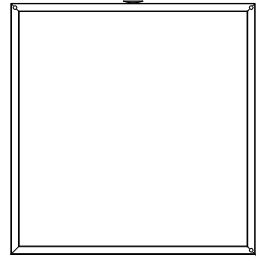


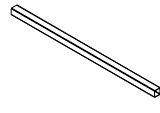
Ax2



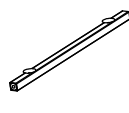
Bx2



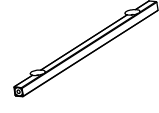
Cx2



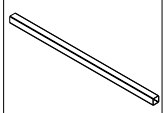
Dx2



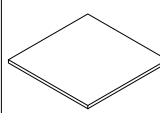
Ex2



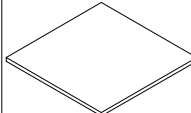
Fx1



Gx1



Hx1



Ix14



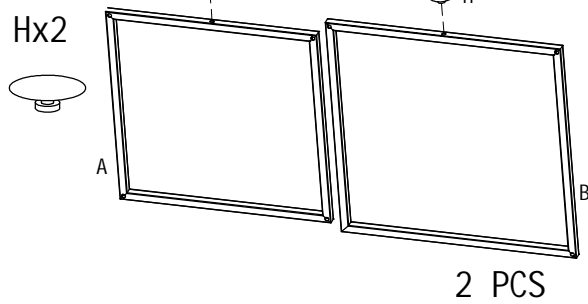
Jx1



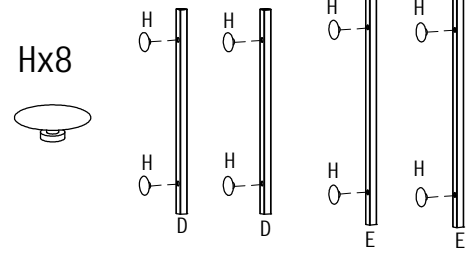
Hx12



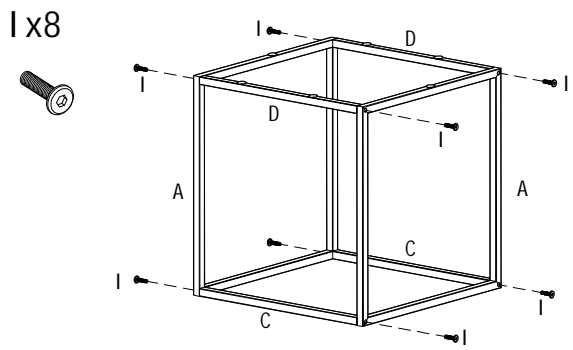
1



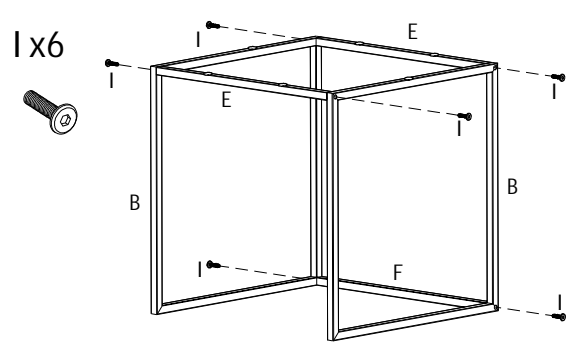
2



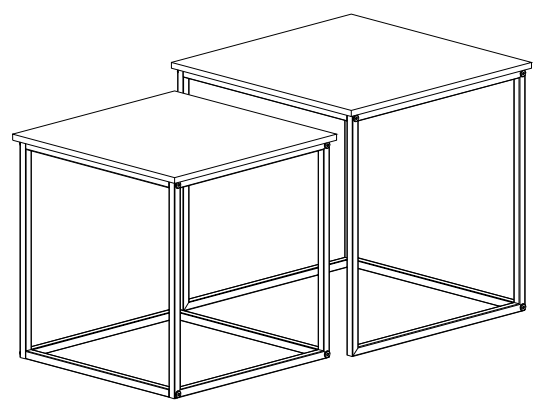
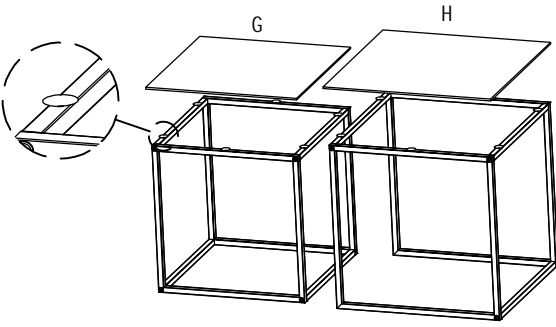
3



4



5





Comfort starts and ends at our furniture

Safety Advice

1. Please take the time to carefully read through the whole of these instructions before you commence.
2. Keep these instructions for future reference.
3. Unpack, inspect and check off all of the contents.
4. Please dispose of all packaging safely.
5. Small component parts could choke a child if swallowed.
6. We strongly recommend that you keep children away from the work area.
7. It would be sensible to lay a sheet or blanket on the floor where you intend to work to avoid scratching this product and to protect your floor.
8. This product is heavy. Take extreme care when lifting to avoid personal injury or damage to the product.
9. Assemble the product as close to its intended final position in the room as possible.

CARE AND MAINTENANCE

1. Use a slightly damp cloth to clean the product.
 2. Do not use bleach or abrasive cleaning material.
- Check all the fittings periodically and re-tighten as necessary.
3. Do not use the product if any of the parts is damaged or broken.
 4. Do not allow liquid to remain on the furniture. Liquid can cause damage to the furniture.
 5. Do not place hot items (e.g. hot drinks) directly on furniture surface.
 6. Do not drag, push or pull the furniture.

Warranty

This product comes with a lifetime warranty from the date of purchase.

Customer Service

If you have any doubt, please contact our online service.