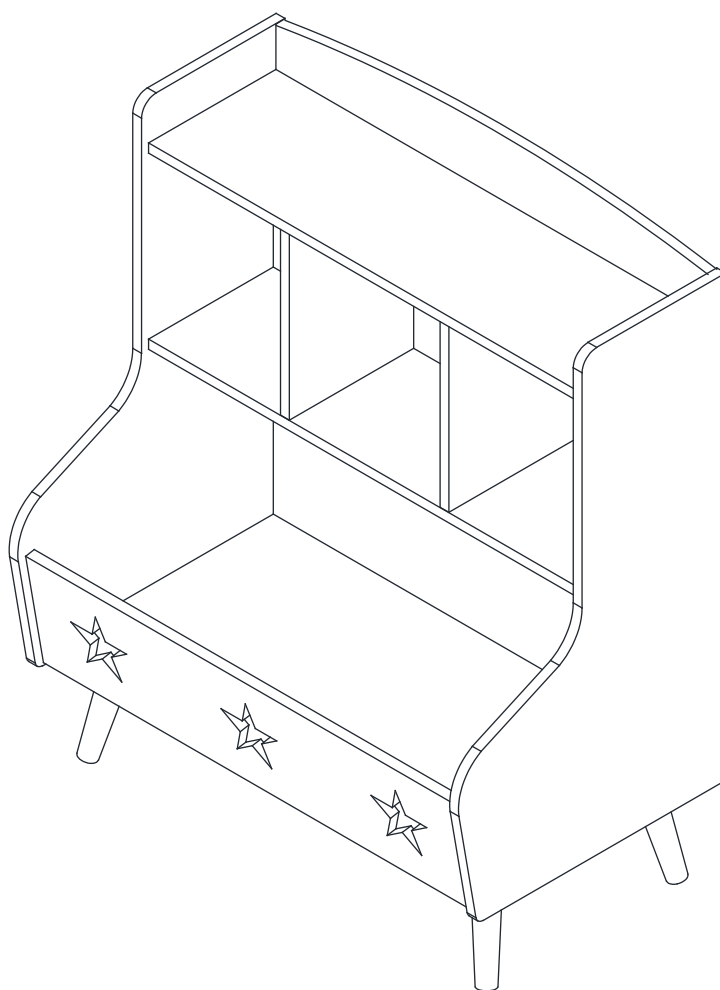


Assembly Instruction



Picture Book Storage
Cabinet for Children

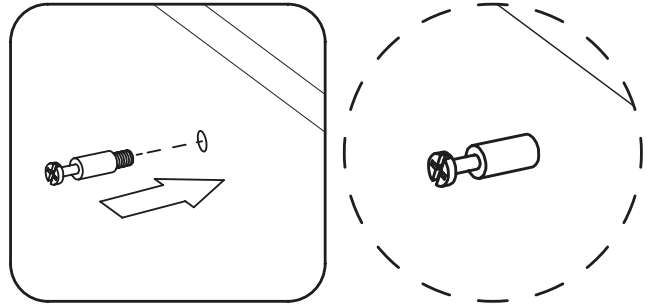
How to use cam locks

Did you know?

Cam locks are used to join two panels together, usually the edge of one to the flat side of another.

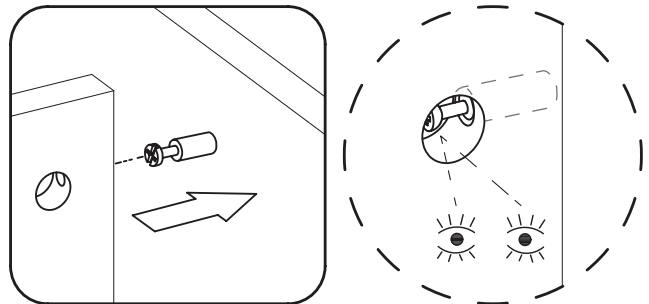
First, your cam bolt (or cam pin) will need to be properly inserted into the flat side of the board.

Important Note: Only tighten the cam bolt until it is secure. Do not over-tighten.



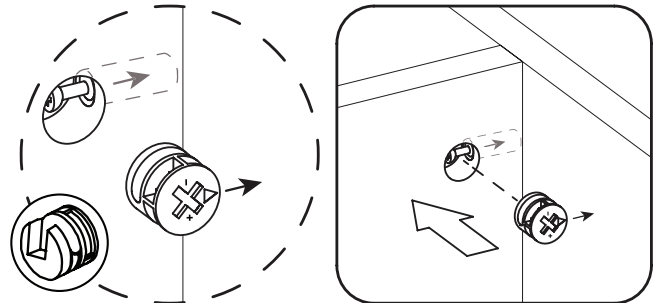
Next, you will fit the proper hole on the edge of the associated joining panel over the cam bolt.

Important Note: When installed properly, the head of the cam bolt will be visible through the larger hole on the side of the joining panel.



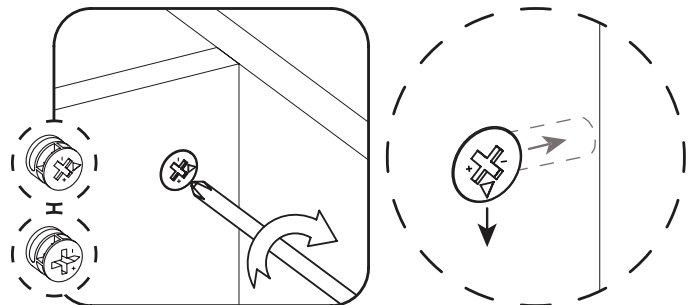
Next, you will notice the cam lock has a “C” shaped back. Commonly, an arrow on the front of the cam lock points in the same direction as the open section on back.

Using these as your cue, insert the cam lock into the large hole so the opening of the “C” fits over the head of the cam bolt.



Using a screwdriver, you will turn the cam lock until it stops, usually at 90° or 180°. You will feel the panels pulling closer until they are secured.

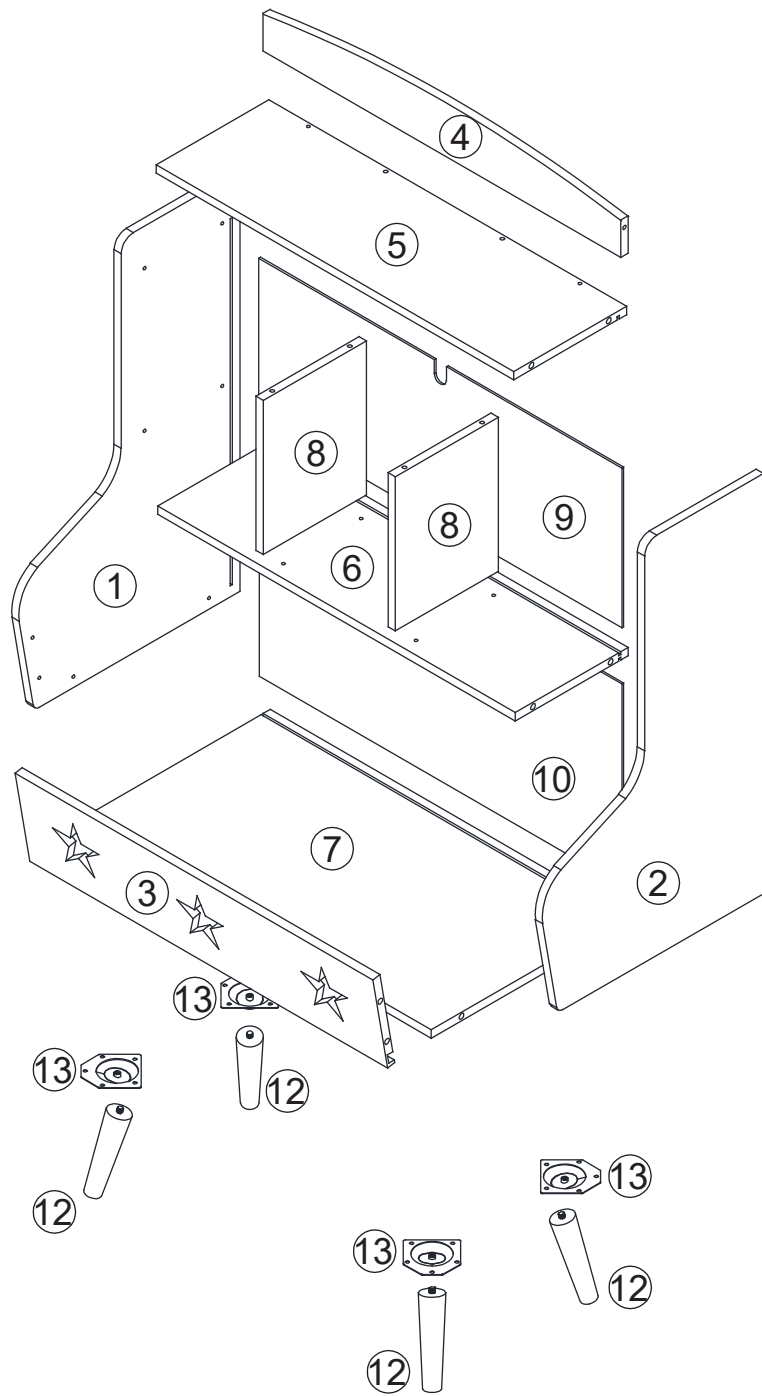
Important Note: Only turn the cam lock until the panels are fully engaged & feel secure. Turning too far may lead to hardware failure.



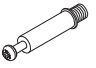





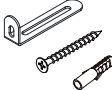




Still having issues?

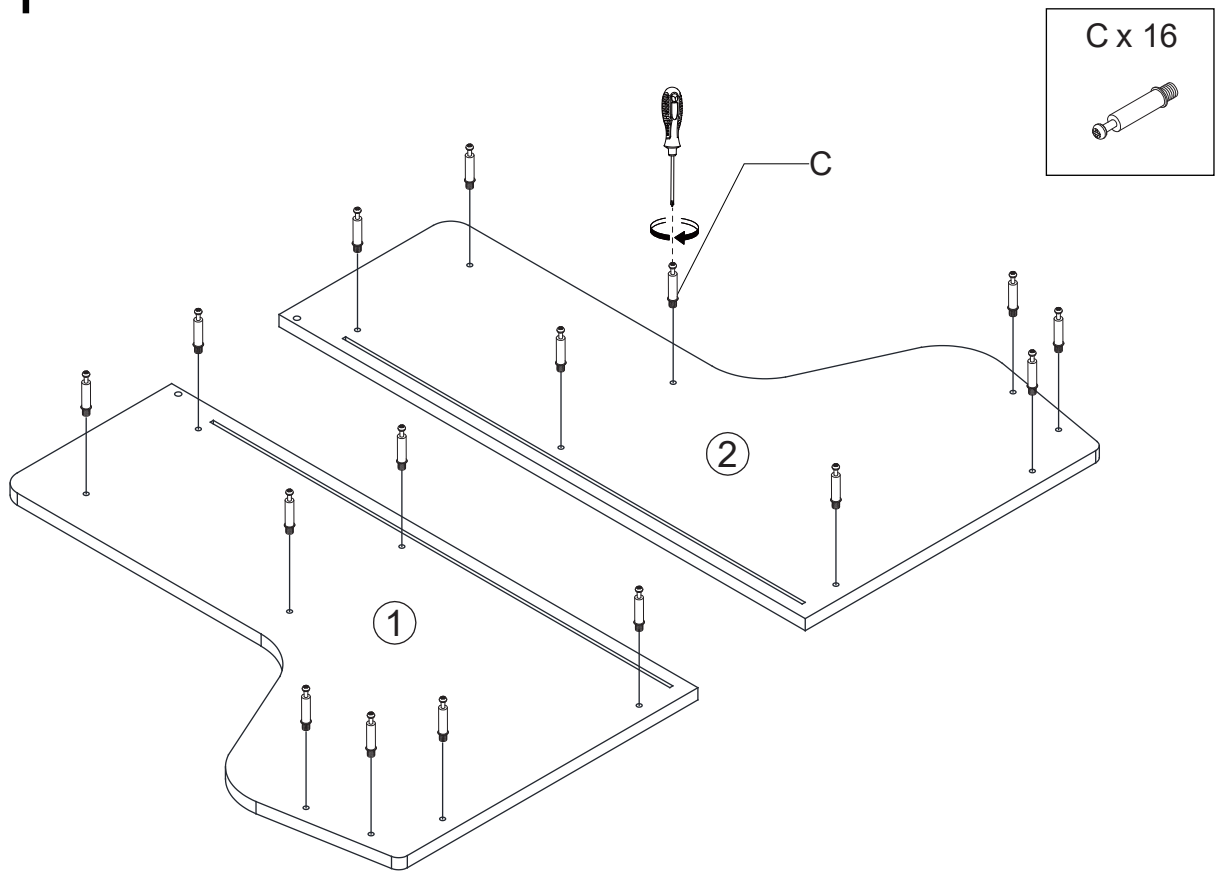
If a cam lock seems to be spinning in place or is not “catching” or pulling the panels together as expected, first remove the cam lock & try again while making sure that everything is properly positioned & oriented.

If you are still having issues getting things working as expected, first remove the cam lock then unscrew the cam bolt slightly (less than 1 complete turn) to see if that helps with the alignment of the cam lock & bolt.

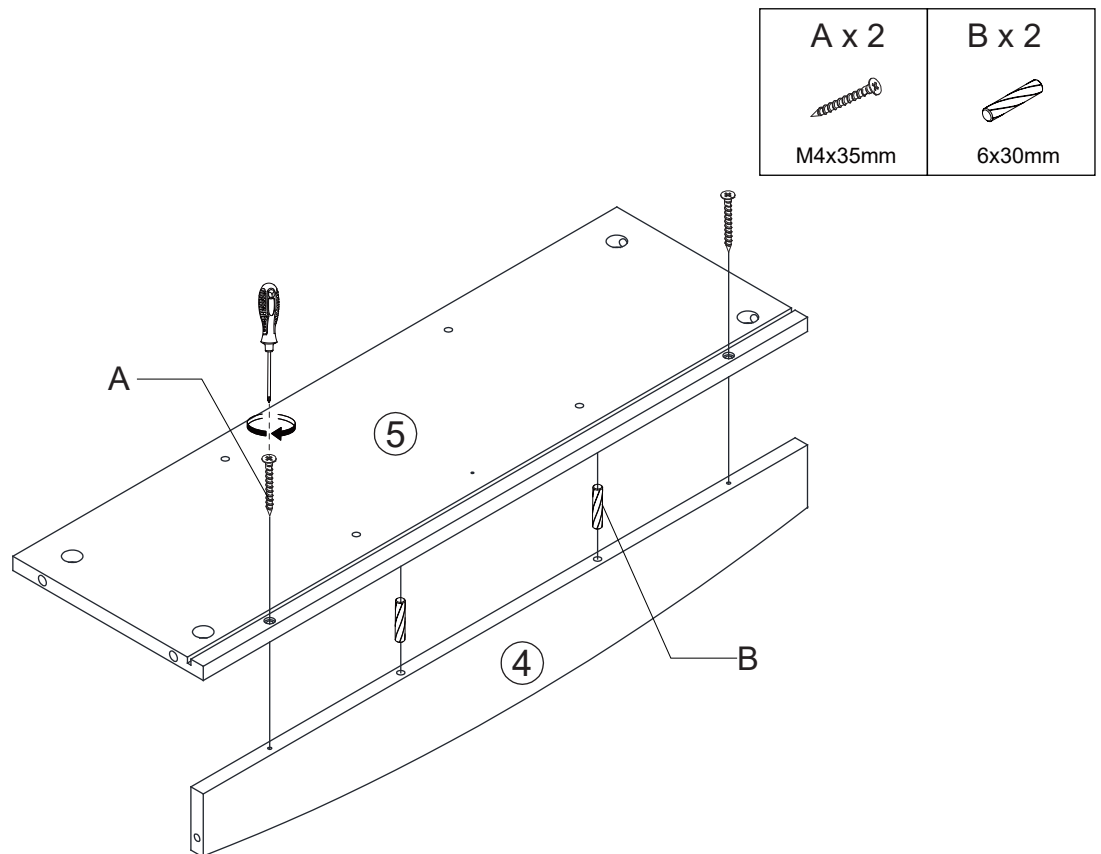


A x 6  M4x35mm		B x 8  6x30mm		C x 16 		D x 16 		E x 8 			
F x 8  M3x14mm		G x 21  M4x12mm		H x 4 		I x 1 		J x 4 			

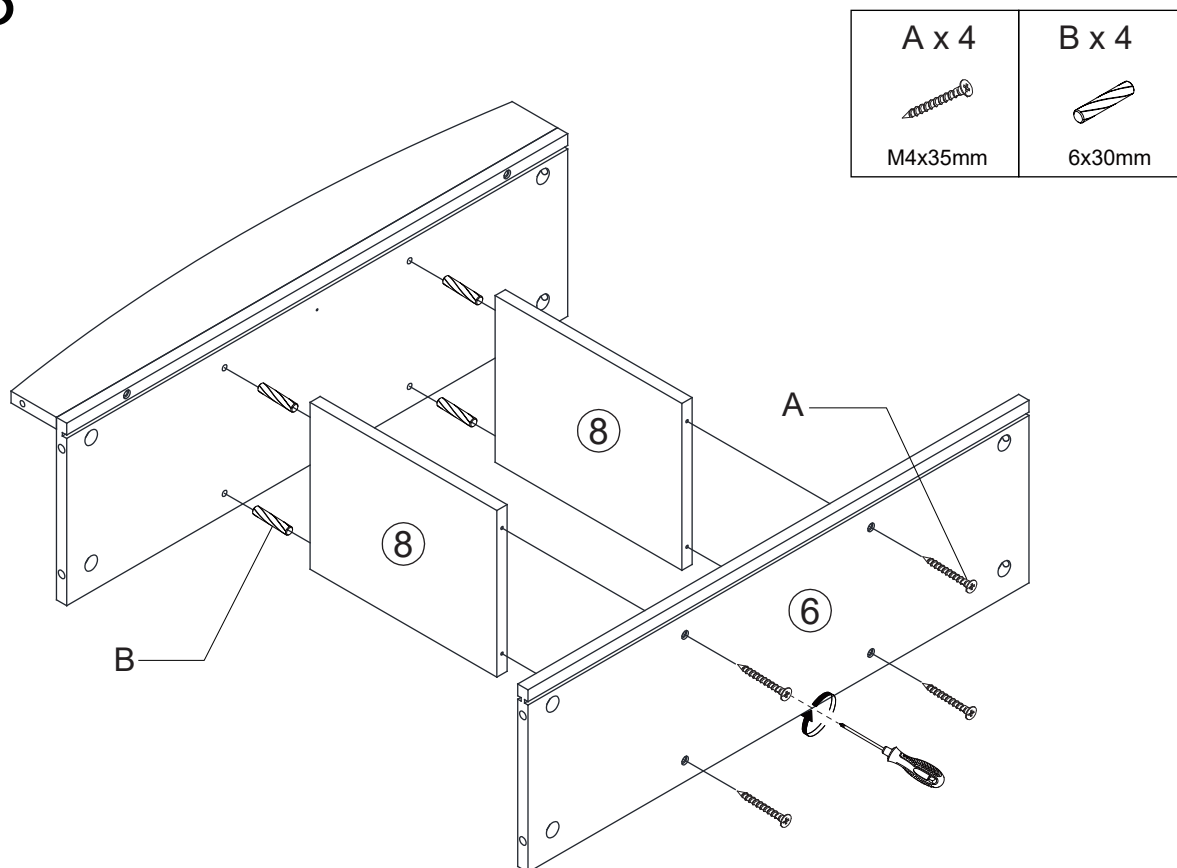
Step1



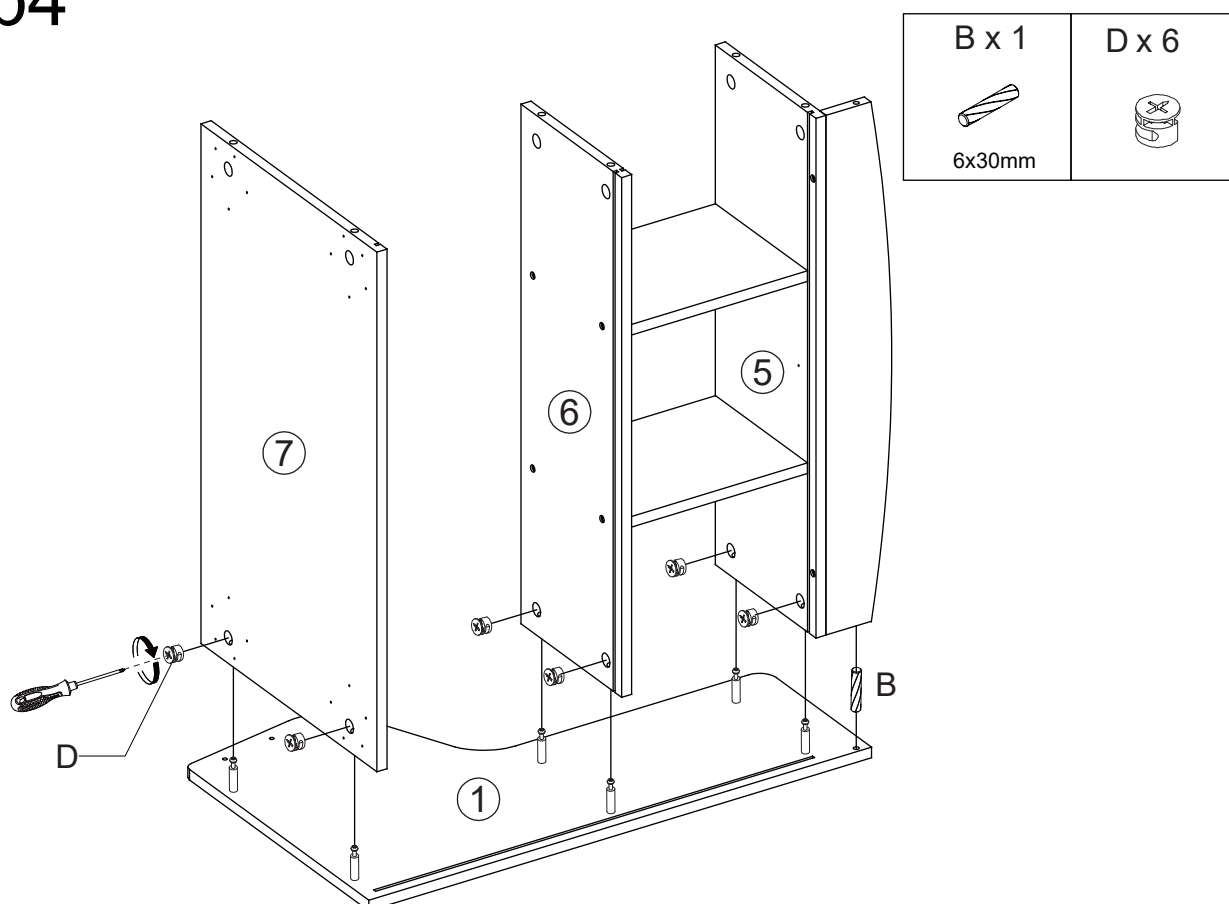
Step2



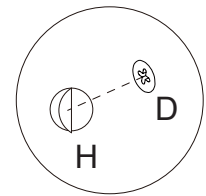
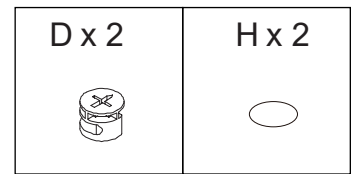
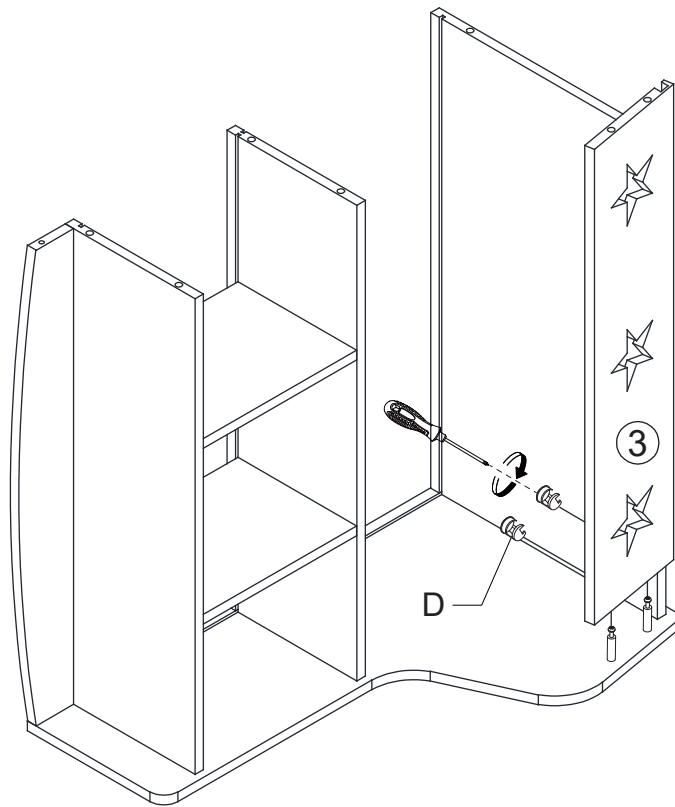
Step3



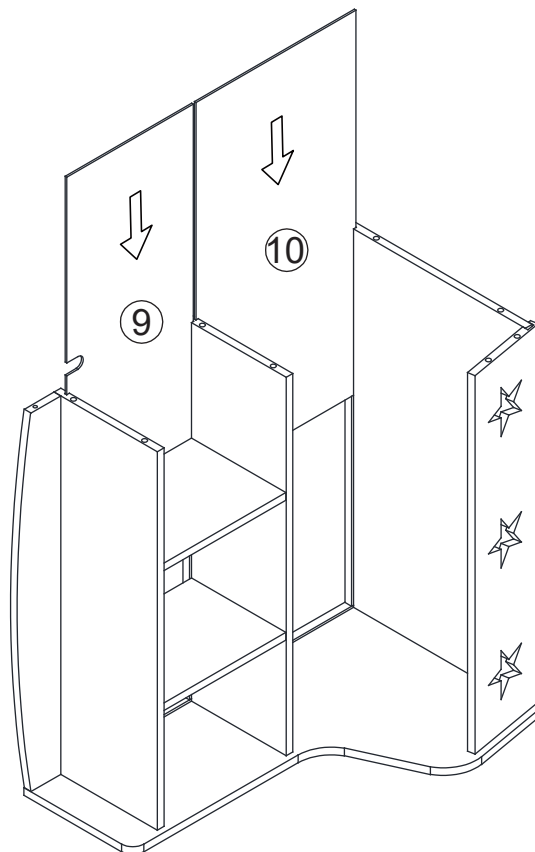
Step4



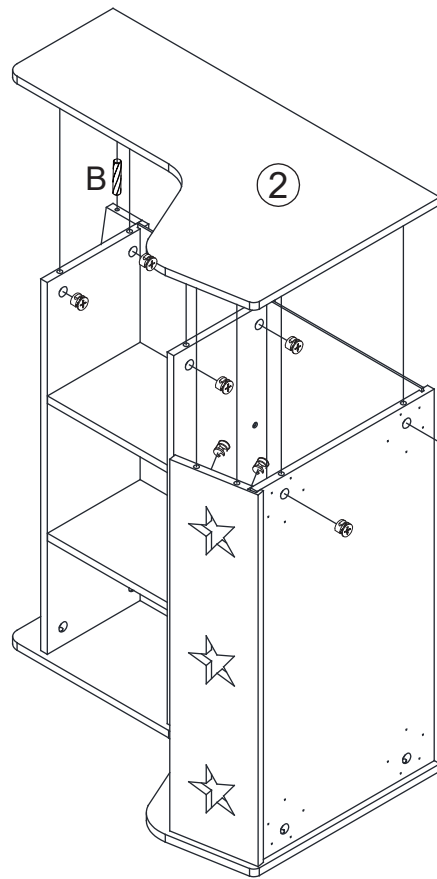
Step5






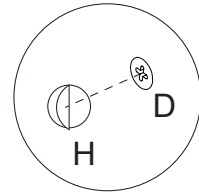
Step6



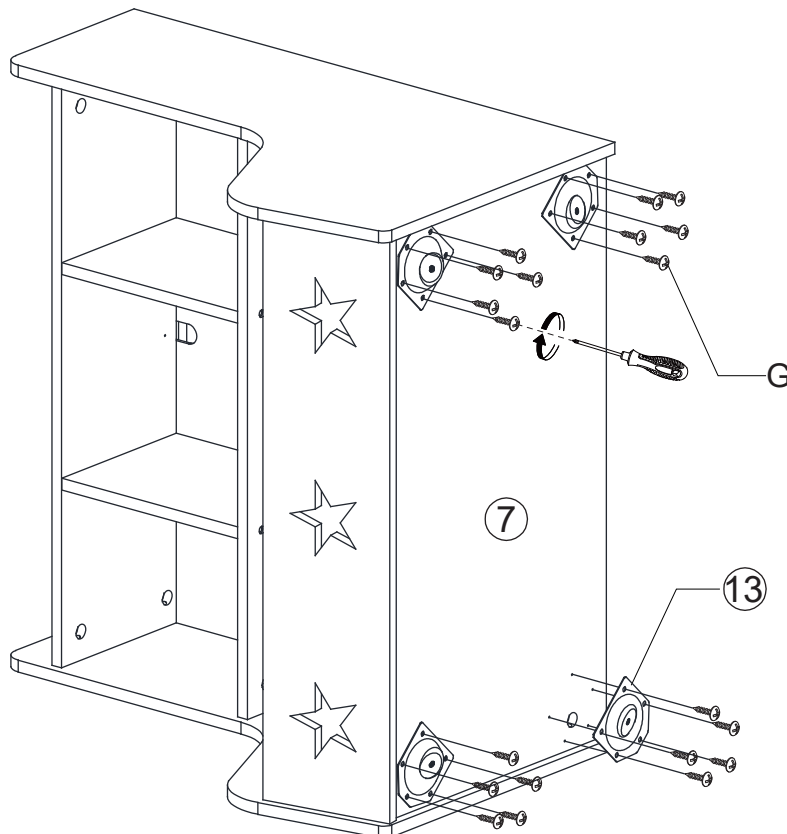
Step7




B x 1  6x30mm	D x 8 	H x 2 
--	--	--

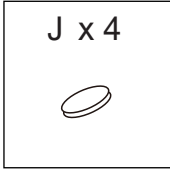
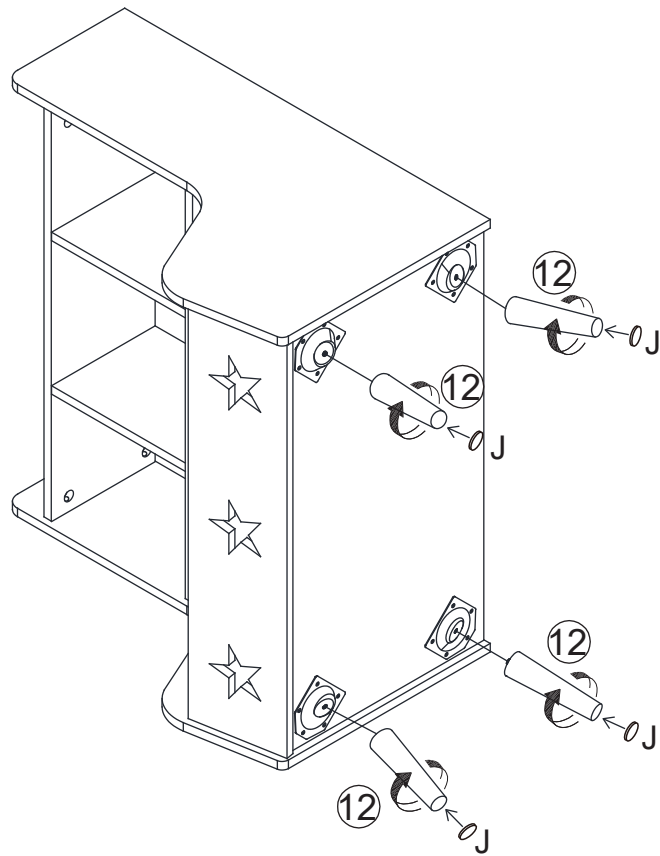


Step8

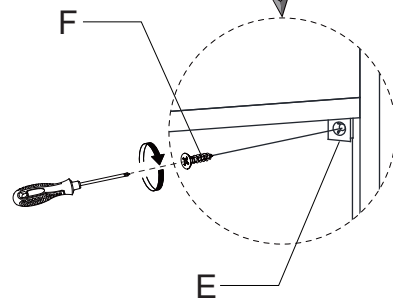
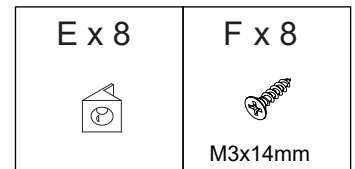
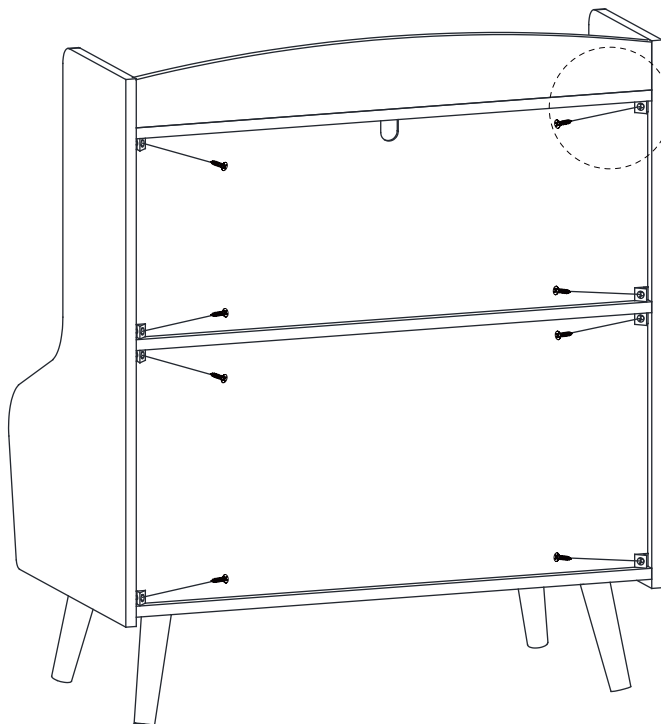


G x 20  M4x12mm
--

Step9

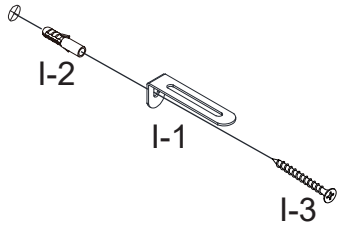


Step10

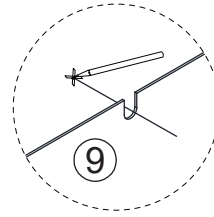


Step11

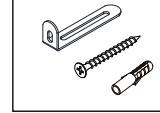
WALL



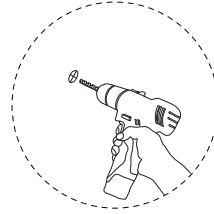
1



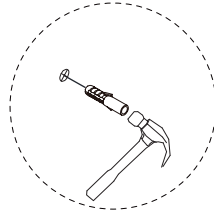
I x 1



2

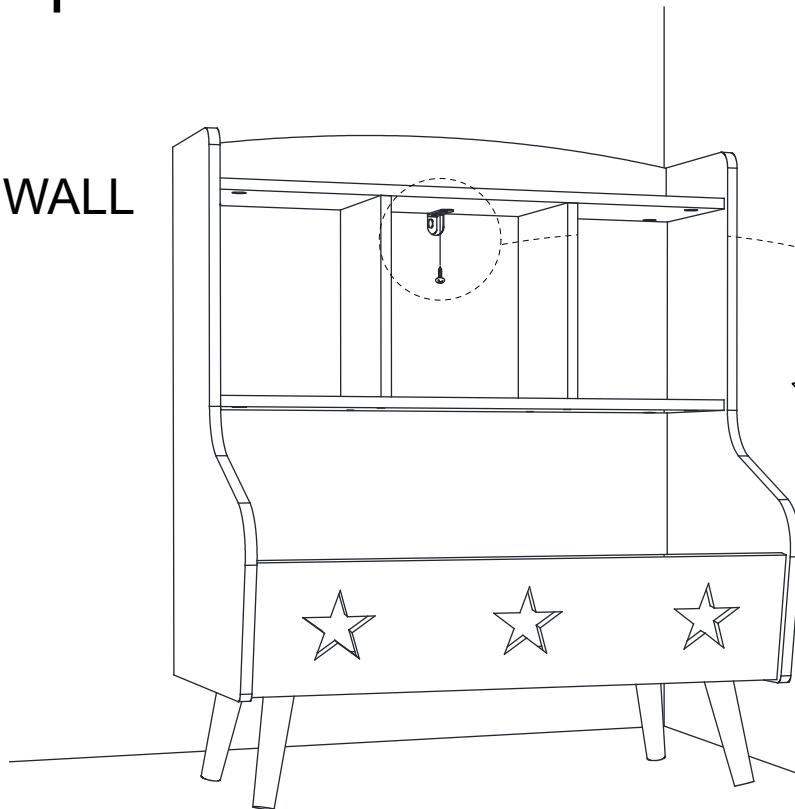


3



Step12

WALL

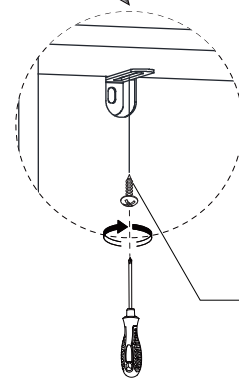


WALL

G x 1



M4x12mm



No heartburn, when we handle the return

Our way



Customer Service
aboxooService@outlook.com



Replacement



You

Their way



Re-package item



Schedule pick up



Track package



Replacement



You

We really don't want you to go through the hassle of re-packaging your item and sending it back, because let's be honest...nobody has time for that.