

Greheywos

User Manual

Foldable Fan

Model: F158-A



Made in China



Dear Customer, Thank you sincerely for purchasing our folding fan! We are always committed to providing you with a convenient and comfortable cooling experience. We hope the portable folding design and stable performance of this fan will add a touch of comfort and refreshment to your life. If you have any questions or suggestions during use, please feel free to contact our customer service team. We will be dedicated to serving you. Service Email: greheywos@Outlook.com. Thank you again for your trust and support.

Wish you a pleasant user experience!

User Manual

1. Power On/Off Operations

- Press the button on the left side of the unit once to turn on the fan. It will operate at Level 1 low wind speed mode.
- Press the button twice to operate the fan at Level 2 medium wind speed.

- Press the button three times to operate the fan at Level 3 high wind speed.
 - Press the button four times to activate the high/low wind speed cycling mode.
 - Press the button five times to turn off the fan.
2. After the fan is turned on, press the button on the right side once to activate the oscillation function. The left-right oscillation angle is approximately 90 degrees.
3. While the fan is running, press and hold the button on the left side for 3 seconds to turn off the fan.
4. While the fan is running, press and hold the button on the right side for 3 seconds to turn off all indicator lights. The fan will continue to operate normally to avoid light disturbance during nighttime rest. Press any button once to restore the indicator lights.

Indicator Light Status

1. Indicator Status During Use:

- When Level 1 wind speed is selected, the first indicator light illuminates for 2 seconds, then the remaining battery level is displayed.
- When Level 2 wind speed is selected, the second indicator light illuminates for 2 seconds, then the remaining battery level is displayed.
- When Level 3 wind speed is selected, the third indicator light illuminates for 2 seconds, then the remaining battery level is displayed.
- When Level 4 wind speed is selected, the fourth indicator light illuminates for 2 seconds, then the remaining battery level is displayed.

2. Remaining Battery Level Indication:

- 100% – 76%: All four indicator lights are on.
- 75% – 51%: The first three indicator lights are on.
- 50% – 26%: The first two indicator lights are on.
- 25% – 1%: Only the first indicator light is on.
- When the battery level is below 15%, the first indicator light turns red.

3. When the oscillation function is activated, the fourth indicator light turns red.

4. Charging Indicator Status:

During charging, indicator lights 1 to 4 flash in sequence.

At 0% – 25% battery: All four lights flash in sequence cyclically.

At 26% – 50% battery: The first light stays on steadily, while lights 2 to 4 flash in sequence.

At 51% – 75% battery: The second light stays on steadily, while lights 3 and 4 flash in sequence.

At 76% – 99% battery: The third light stays on steadily, while the fourth light flashes.

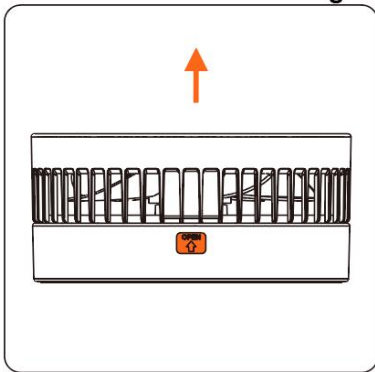
When fully charged (charging time approximately 5.5 hours), all four indicator lights remain steadily lit.

5. Timer Setting Indicator Status:

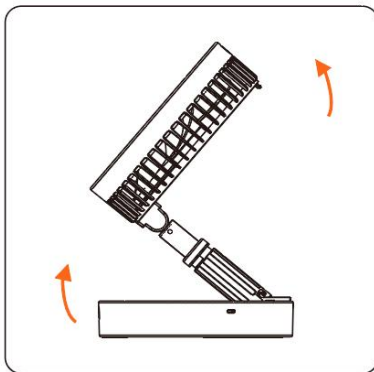
- Press the Timer button on the remote control once to set a 2-hour timer: the first indicator light flashes three times, then the remaining battery level is displayed.
- Press the Timer button twice to set a 4-hour timer: the second indicator light flashes three times, then the remaining battery level is displayed.
- Press the Timer button three times to set a 6-hour timer: the third indicator light flashes three times, then the remaining battery level is displayed.
- Press the Timer button four times to set an 8-hour timer: the fourth indicator light flashes three times, then the remaining battery level is displayed.
- Press the Timer button a fifth time to cancel the timer setting.

Specifications	
Product Name	Foldable fan
Model	F158-A
Materials	ABS+PP
Battery Type	18650 3.7V Lithium Battery (7200mAh or 10400mAh. Please refer to the label on the unit for the specific capacity)
Power	5W
Input	DC 5V/2A
Charging Port	USB Type-C
Charging Time	About 5.5 hours
Oscillation Angle	90°
Head Vertical Adjustment	180°
Timer Function	2/4/6/8 hours
Remote Control	With a remote control, 5 meters
Product size	Diameter 200mm, folded height 100mm, unfolded height 920mm

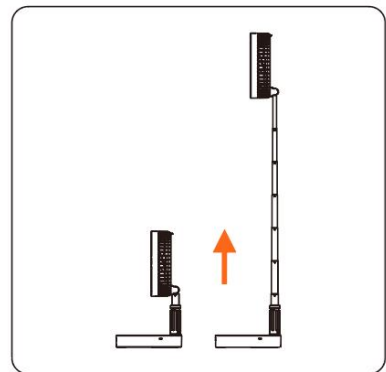
How to Unfold the Folding Fan:



1. Hold the fan base firmly and lift the fan upward.

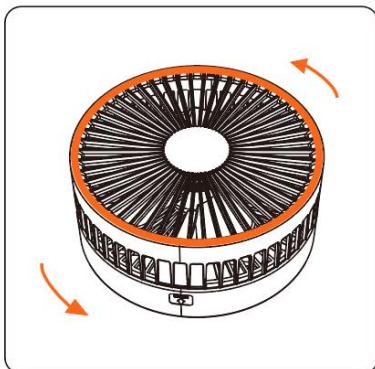


2. Pull the fan head upward to unfold it.



3. Extend the telescopic pole upward to adjust the height.

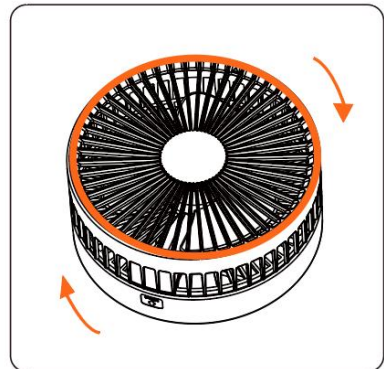
Front Grille Removal and Cleaning:



1. Press and hold the front grille, then rotate it counterclockwise to remove.

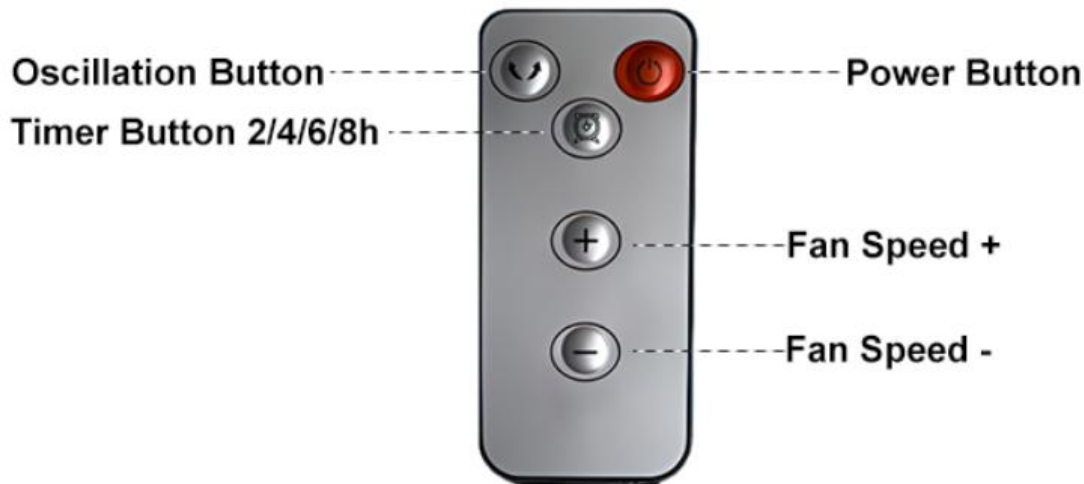


2. Clean the front grille and fan blades.



3. Reinstall the front grille by rotating it clockwise.

Remote Control Button Guide



Warning

•Electrical Safety

Do not immerse the fan, power plug or power cord in water or any other liquid to prevent electric shock and short - circuit. Unplug the power cord when the fan is not in use for a long time, cleaning or moving it.

•Operation Precautions

Do not place fingers, hair, clothing or other loose objects near the fan blades while the fan is running, to avoid being drawn in and causing injury. Do not disassemble, repair or modify the fan by yourself; contact professional maintenance personnel if there is a fault.

•Placement Requirements

Keep the fan away from heat sources such as stoves, heaters and direct sunlight for a long time, so as not to affect the service life of the product.

•Folding and Storage

Make sure the fan is turned off and the power is disconnected before folding. Do not fold the fan forcibly when the blades are still rotating; otherwise, the fan structure may be damaged.

Battery Safety Reminders

•Charge on a hard, ventilated and cool surface, away from flammables. Unplug promptly after full charge. Stop use immediately if overheating, odd odor or abnormal noise occurs.

• Do not drop or squeeze the battery area. Keep the battery away from liquids. Never disassemble or modify the battery, as this may cause short-circuiting of the cells.

•For long-term storage, keep the battery at 40% - 60% charge and store it in a dry environment at 0°C - 25°C. Do not use the battery if swelling, leakage or discoloration is observed; contact after-sales service instead.

•Dispose of used batteries in designated recycling bins, not with household waste.

Greheywos