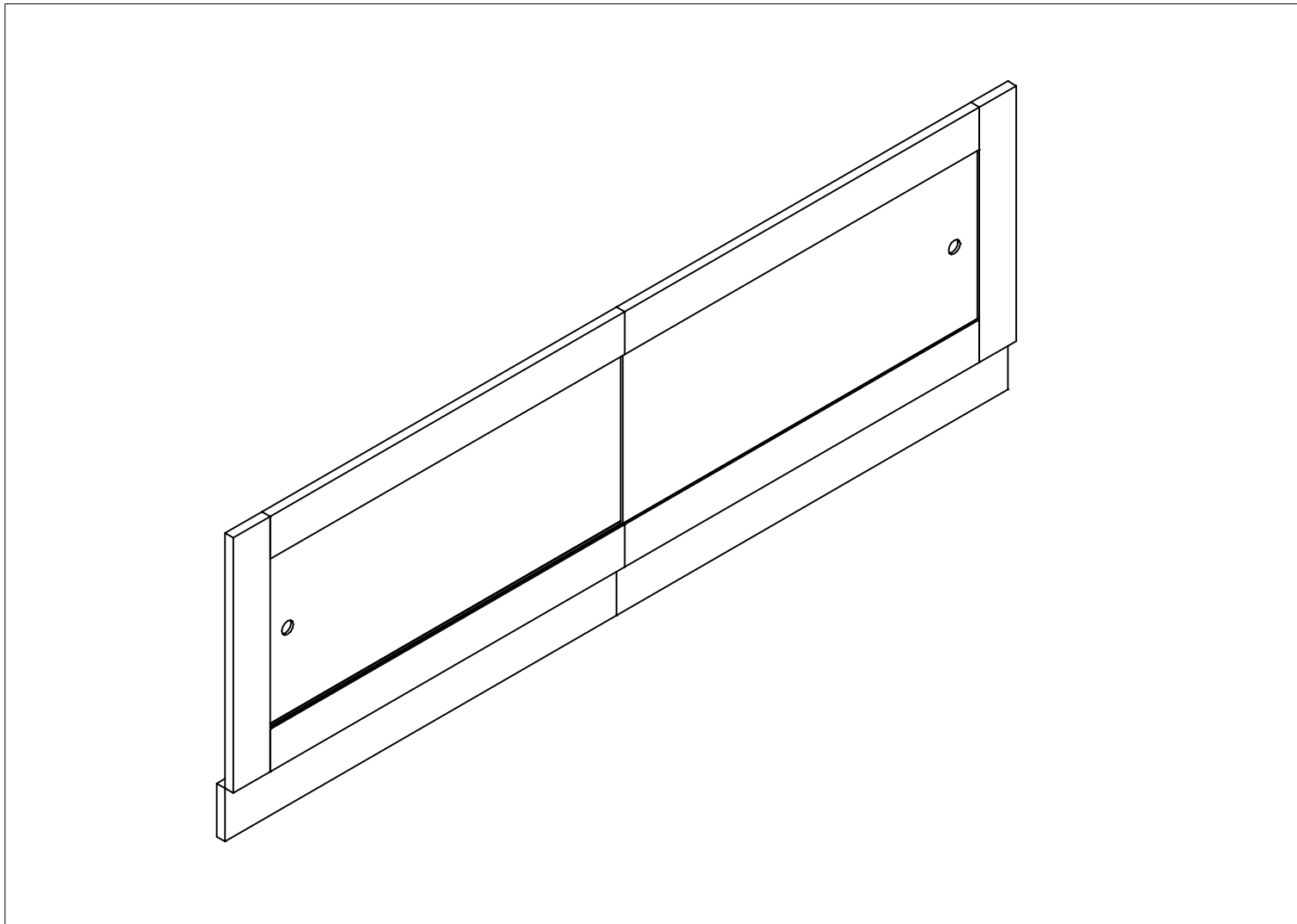
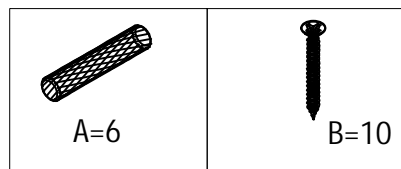
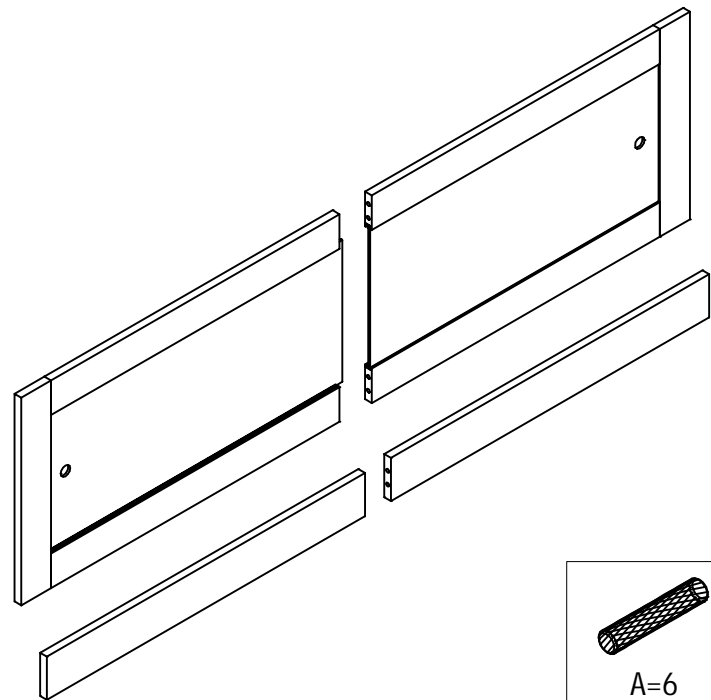
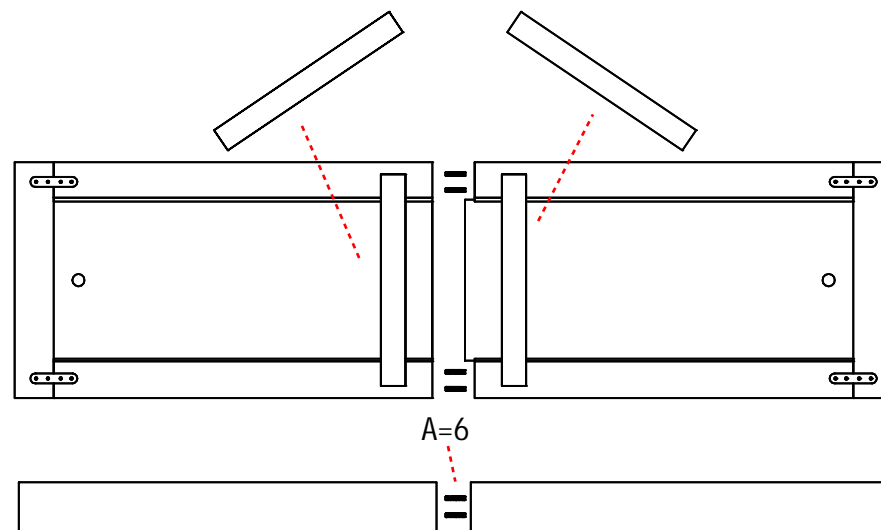


# INSTALLATION MANUAL





Remove the fixed wooden board



Move the angle iron to this location for installation

