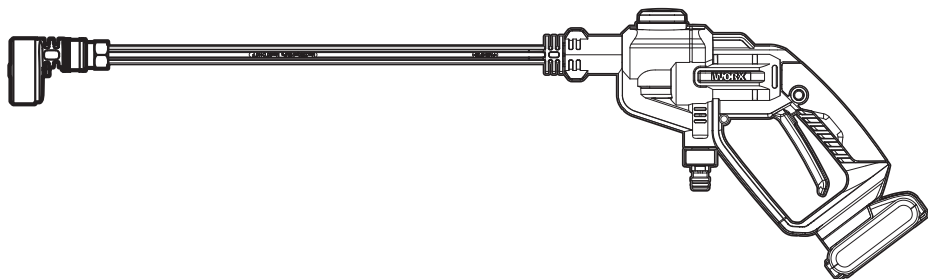


WORX®

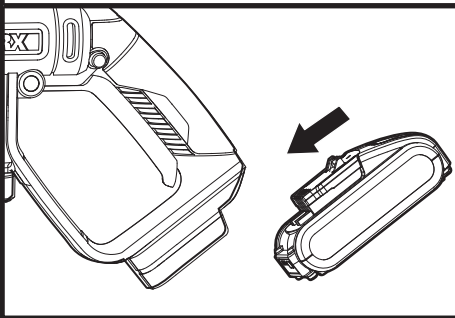
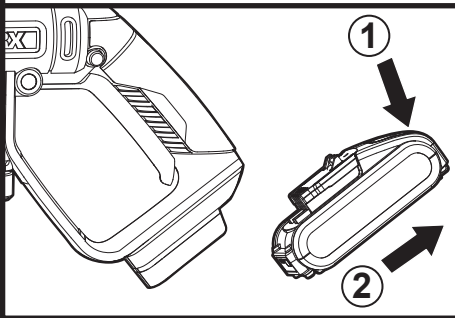
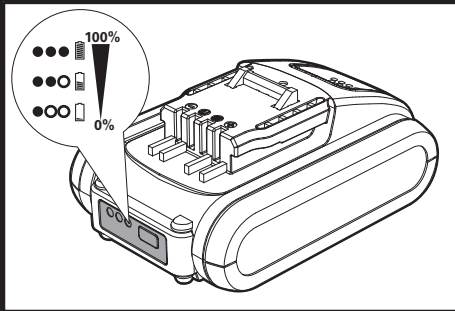
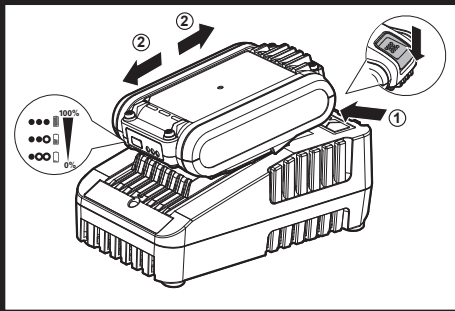
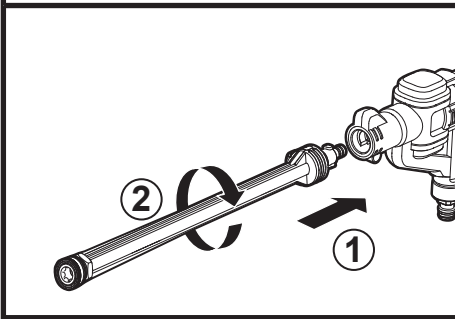
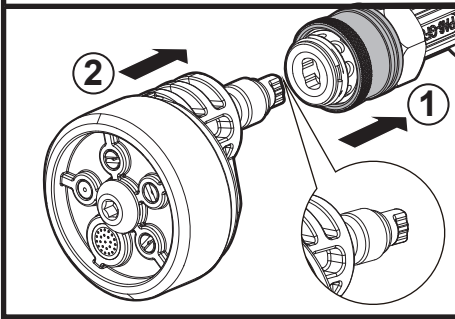


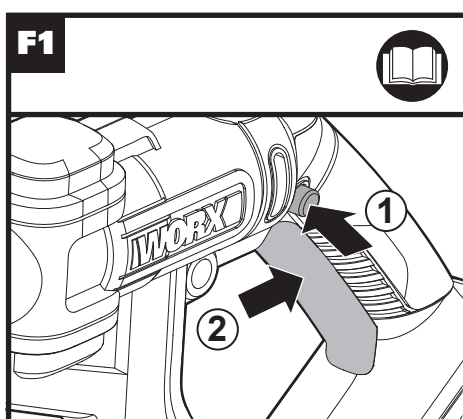
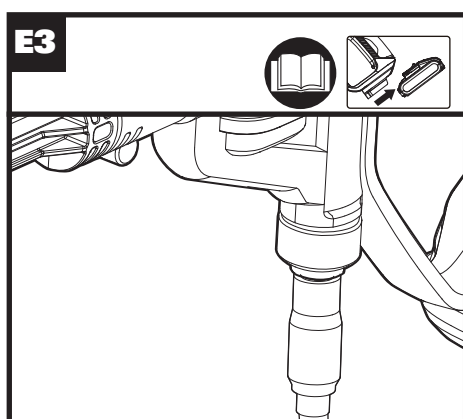
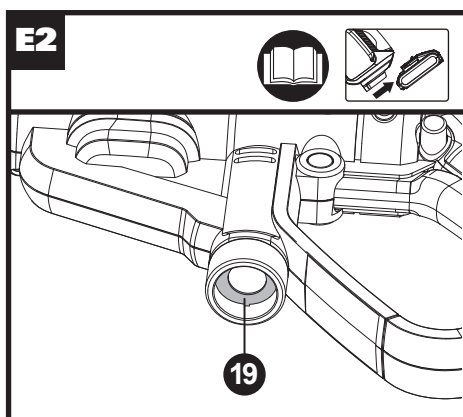
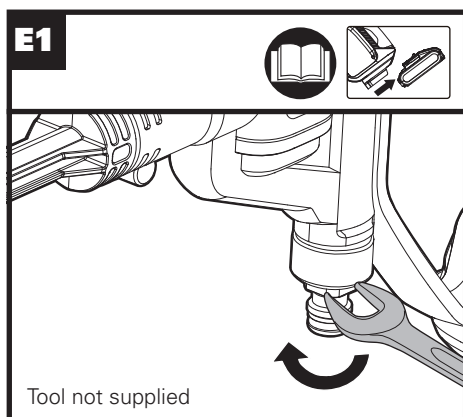
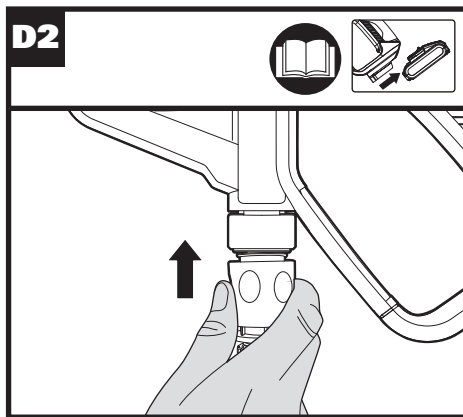
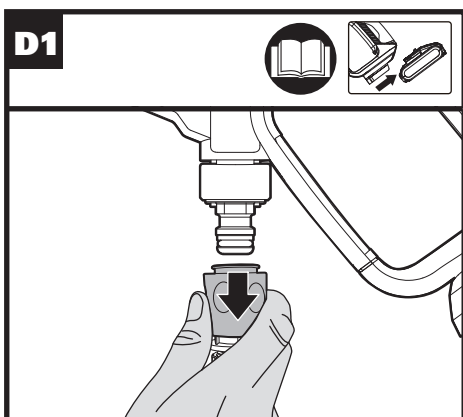
HYDROSHOT™

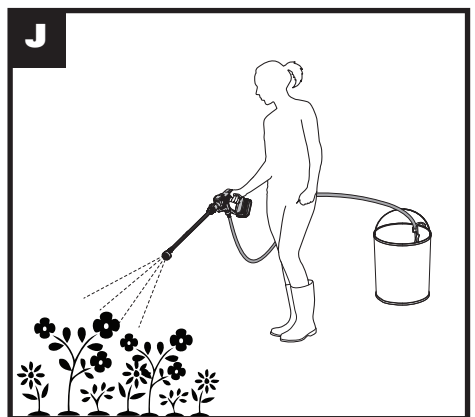
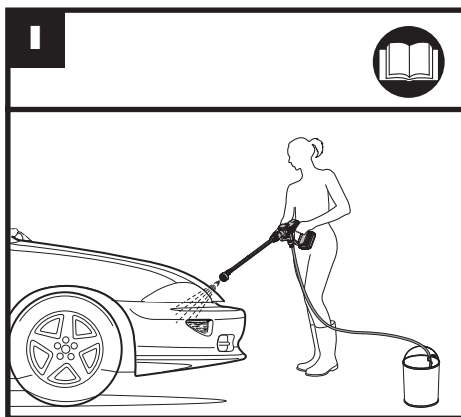
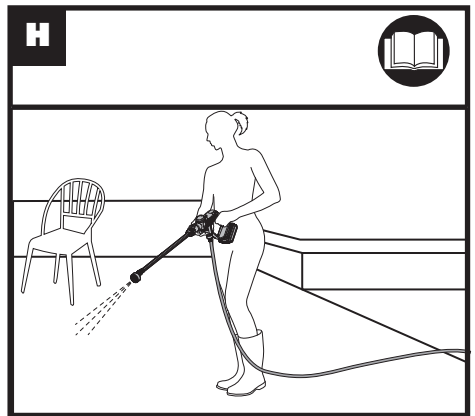
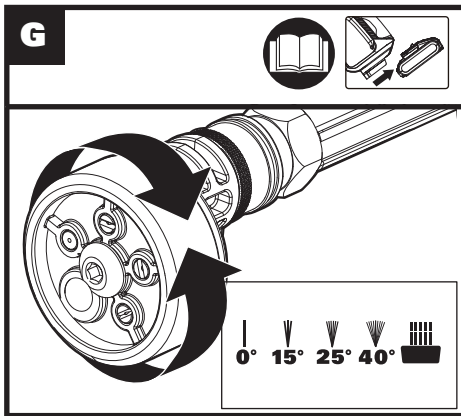
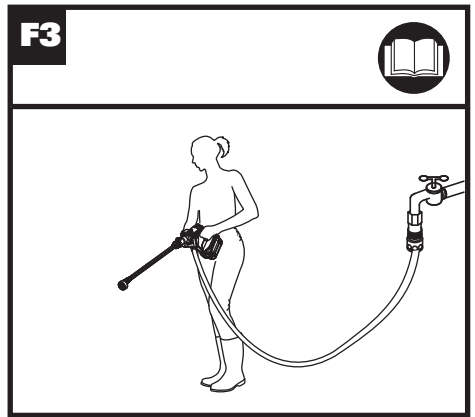
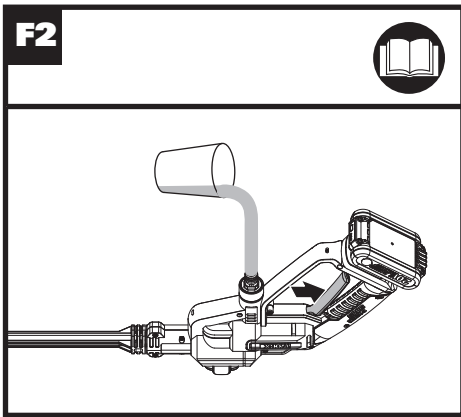
2 in 1: Portable Power Cleaner/Water Sprayer	EN	P11
2 in 1: Tragbarer Hochdruckreiniger/Wassersprüher	D	P19
2 en 1: nettoyeur portable électrique / pulvérisateur d'eau	F	P27
Idropulitrice/Irroratrice portatile 2 in 1	I	P35
2 en 1: Limpiador/pulverizador de agua portátil a presión	ES	P43
2 in 1: Krachtige draagbare reiniger/watervernelaar	NL	P51
2w1 Akumulatorowy przenośny Oczyszczacz / Opryskiwacz wodny	PL	P59
2 az 1-ben: Hordozható magasnyomású tisztító/szórófej	HU	P67
2 în 1: Curățător cu presiune/Stropitoare portabilă	RO	P75
2 v 1: Přenosný tlakový čistič / stříkací pistole	CZ	P83
2 v 1: Prenosný tlakový čistič / striekacia pištoľ	SK	P91
2 em 1: Máquina de limpeza a pressão/pulverizador de água	PT	P99
2 i 1: Portabel högtrycksvätt/Vattenspruta	SV	P107
2 v 1: Prenosni električni čistilnik/škropilnik za vodo	SL	P115

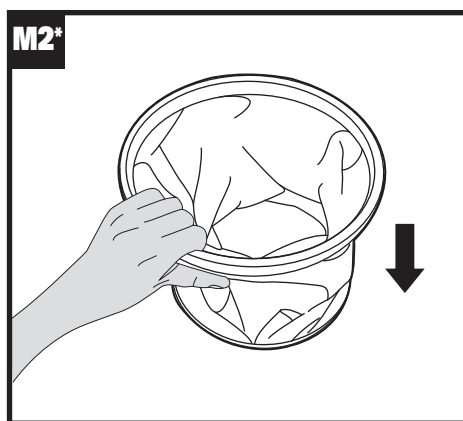
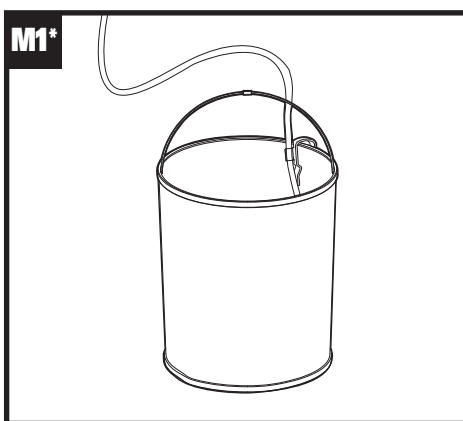
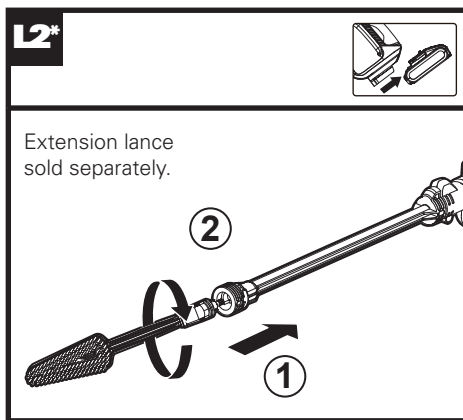
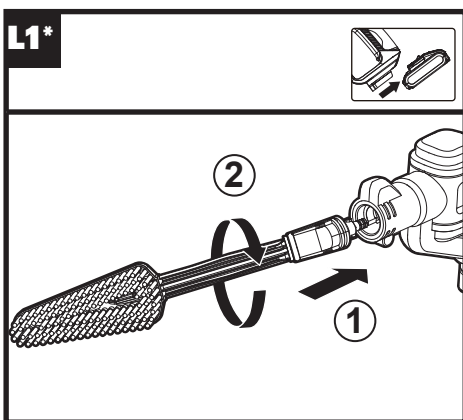
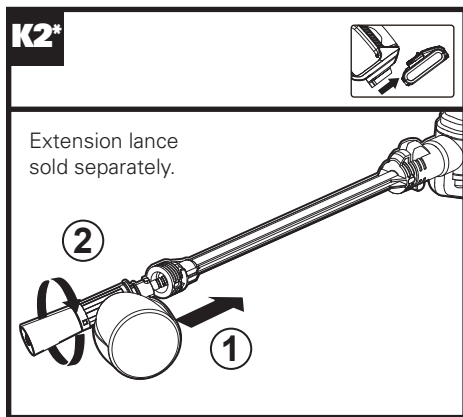
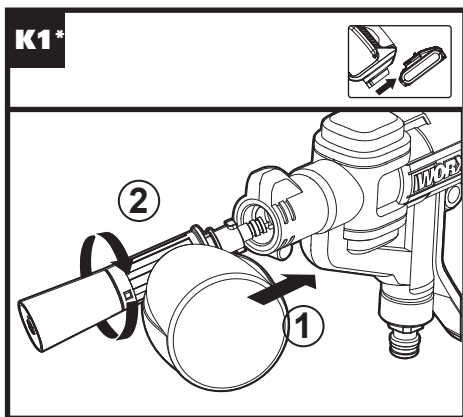
**WG620E WG620E.2 WG620E.4
WG620E.9 WG620E.10**

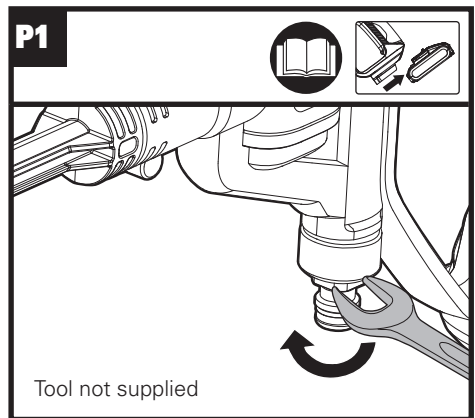
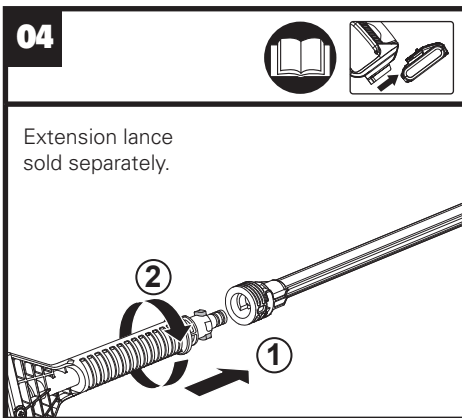
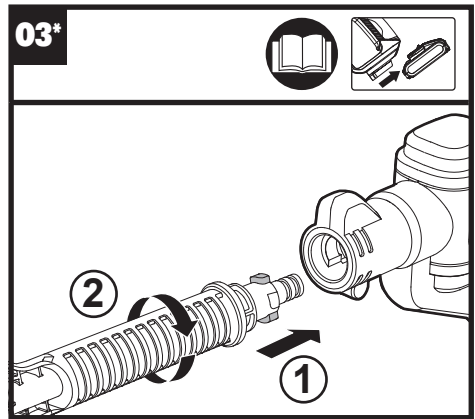
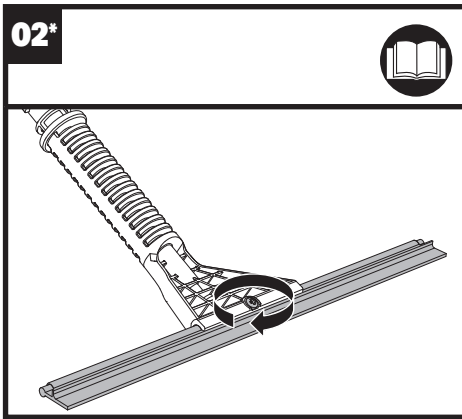
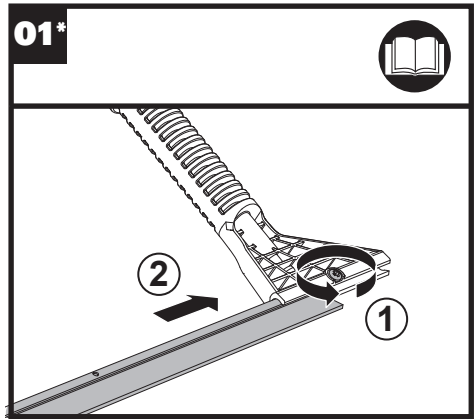
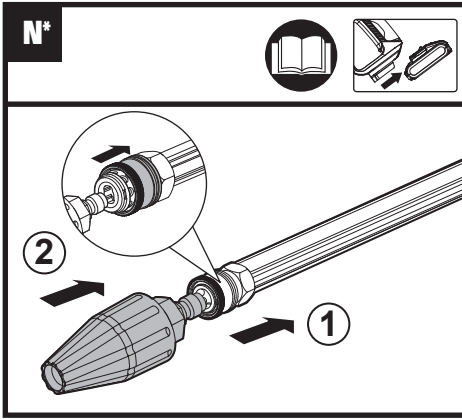
Original instructions	EN
Originalbetriebsanleitung	D
Notice originale	F
Istruzioni originali	I
Manual original	ES
Oorspronkelijke gebruiksaanwijzing	NL
Instrukcja oryginalna	PL
Eredeti használati utasítás	HU
Instrucțiuni originale	RO
Původní návod k používání	CZ
Pôvodný návod na použitie	SK
Manual original	PT
Bruksanvisning i original	SV
Izvirna navodila	SL

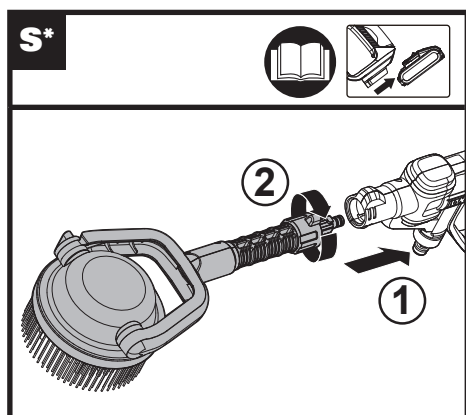
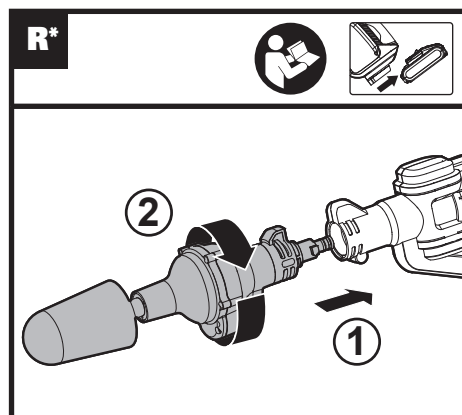
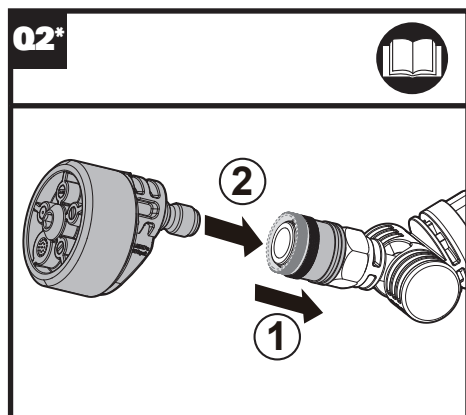
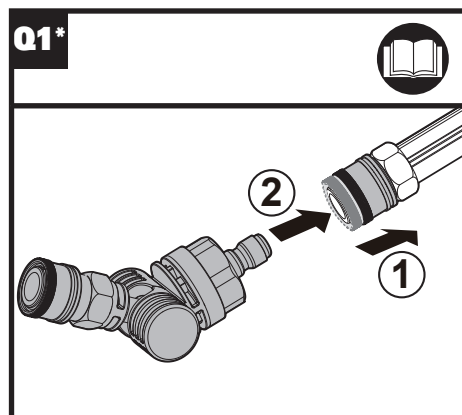
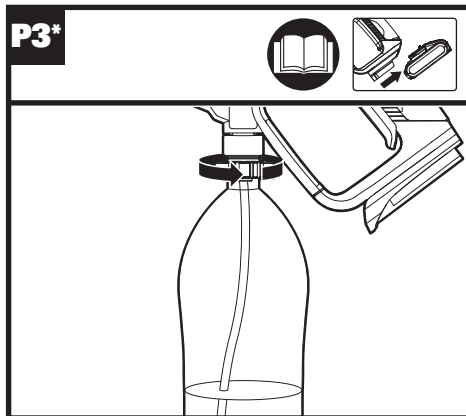
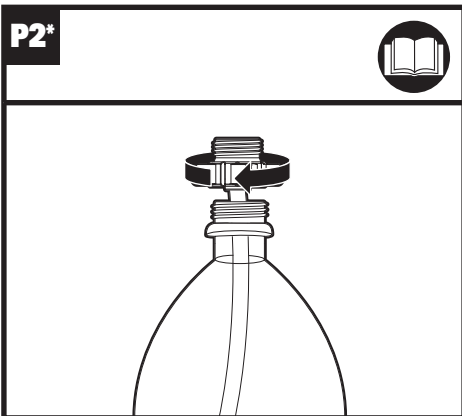
A1**A2****A3****A4****B****C**





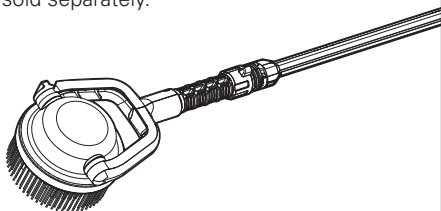
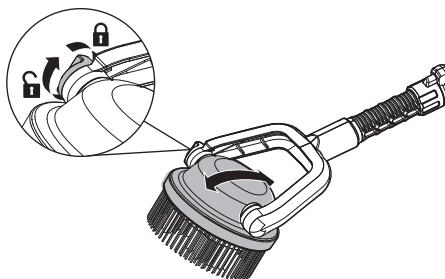
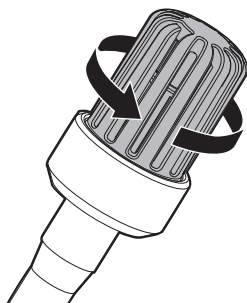
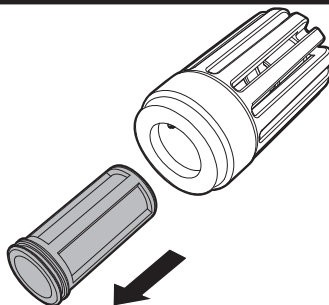






T*

Extension lance
sold separately.

**U*****V1****V2**

PRODUCT SAFETY

GENERAL SAFETY WARNINGS



WARNING: Read all safety warnings and all instructions. Failure to follow the warnings and instructions may result in electric shock, fire and/or serious injury.

Save all warnings and instructions for future reference.

- This appliance can be used by persons with reduced physical, sensory or mental capabilities or lack of experience and knowledge if they have been given supervision or instruction concerning use of the appliance in a safe way and understand the hazards involved. Children shall not play with the appliance.
- The appliance is only to be used with the power supply unit provided with the appliance.

Additional safety warnings

1. The liquid must not be directed towards equipment containing electrical components.
2. Remove or disconnect the battery pack after use and before carrying out user maintenance on the

appliance.

3. The appliance shall not be left unattended while it is connected to the battery pack.
4. The appliance is not to be used if it has been dropped, if there are visible signs of damage or if it is leaking.
5. Keep the appliance out of reach of children when it is energized.

Safety Warnings for battery pack

a) Do not dismantle, open or shred cells or battery pack.

b) Do not short-circuit a battery pack. Do not store battery packs haphazardly in a box or drawer where they may short-circuit each other or be short-circuited by conductive materials.

When battery pack is not in use, keep it away from other metal objects, like paper clips, coins, keys, nails, screws or other small metal objects, that can make a connection from one terminal to another. Shorting the battery terminals together may cause burns or a fire.

c) Do not expose battery

**pack to heat or fire.
Avoid storage in direct
sunlight.**







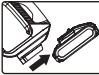
- d) Do not subject battery pack to mechanical shock.**
- e) In the event of battery leaking, do not allow the liquid to come into contact with the skin or eyes. If contact has been made, wash the affected area with copious amounts of water and seek medical advice.**
- f) Seek medical advice immediately if a cell or battery pack has been swallowed.**
- g) Keep battery pack clean and dry.**
- h) Wipe the battery pack terminals with a clean dry cloth if they become dirty.**
- i) Battery pack needs to be charged before use. Always refer to this instruction and use the correct charging procedure.**
- j) Do not maintain battery pack on charge when not in use.**
- k) After extended periods of storage, it may be necessary to charge and discharge the battery**



**pack several times
to obtain maximum
performance.**

- l) Battery pack gives its best performance when it is operated at normal room temperature ($20^{\circ}\text{C} \pm 5^{\circ}\text{C}$).**
- m) When disposing of battery packs, keep battery packs of different electrochemical systems separate from each other.**
- n) Recharge only with the charger specified by Worx.** Do not use any charger other than that specifically provided for use with the equipment. A charger that is suitable for one type of battery pack may create a risk of fire when used with another battery pack.
- o) Do not use any battery pack which is not designed for use with the equipment.**
- p) Keep battery pack out of the reach of children.**
- q) Retain the original product literature for future reference.**
- r) Remove the battery from the equipment when not in use.**
- s) Dispose of properly.**

- t) Do not mix cells of different manufacture, capacity, size or type within a device.**
- u) Do not remove battery pack from its original packaging until required for use.**
- v) Observe the plus (+) and minus (–) marks on the battery and ensure correct use.**

SYMBOLS

	Warning
	Read operator's manual
	Waste electrical products must not be disposed of with household waste. Please recycle where facilities exist. Check with your local authorities or retailer for recycling advice.
 Li-Ion	Do not dispose of batteries. Return exhausted batteries to your local collection or recycling point.
	Do not burn
	Do not expose to rain or water
	Remove battery from the socket before carrying out any adjustment, servicing or maintenance.

	Unlock
	Lock

COMPONENT LIST


1. LOCK-OFF SWITCH
2. BATTERY PACK RELEASE BUTTON
3. BATTERY PACK *
4. ON/OFF SWITCH LEVER
5. HOSE ADAPTER
6. POWER NOZZLE
7. PRESSURE CLEANING LANCE
8. NOZZLE ADAPTER
9. MULTI-SPRAY NOZZLE
10. FIXING NAIL
11. HOSE CONNECTOR
12. HOSE FILTER
13. HOSE CLIP
14. HOSE
15. FLOATER
16. SOAP BOTTLE* (WA4036)
17. BRUSH* (WA4048)
18. FOLDABLE WATER BUCKET* (WA4015)
19. FILTER SCREEN (SEE FIG. E2)
20. TURBO NOZZLE * (WA4037)
21. WINDOW SQUEEGEE WITH WATER SPRAYER * (WA4050)
22. BOTTLE CAP CONNECTOR * (WA4038)
23. PIVOTING QUICK CONNECT ADAPTER* (WA4039)
24. ROTARY CLEANING BRUSH* (WA4042)
25. ADJUSTABLE POWER SCRUBBER* (WA1820 / WA1821)

26. SHORT LANCE* (WA4013)

***Not all the accessories illustrated or described are included in standard delivery.**

TECHNICAL DATA

Type Designation **WG620E WG620E.2 WG620E.4 WG620E.9 WG620E.10 (620-649 - designation of machinery, representative of battery-powered washer)**

	WG620E WG620E.2 WG620E.4 WG620E.10	WG620E.9
Voltage	20 V  Max**	
Max. pressure	2.4Mpa (24bar)	
Rated pressure	2.2Mpa (22bar)	
Max water flow rate	120L/h	
Max. inlet water pressure	0.6Mpa (6bar)	
Suction height	Max. 1.5m	
Weight (with lance)	1.7kg	1.3kg

**Voltage measured without workload. Initial battery voltage reaches maximum of 20 volts. Nominal voltage is 18 volts.

NOISE DATA

A weighted sound pressure L_{pA} : 73.8 dB(A)

A weighted sound power L_{WA} : 84.8 dB(A)

K_{pA} 2.35 dB(A)

Wear ear protection



VIBRATION INFORMATION

Typical weighted vibration $a_n = 1.339 \text{ m/s}^2$
 $K = 1.5 \text{ m/s}^2$

The declared vibration total value may be used for comparing one tool with another, and may also be used in a preliminary assessment of exposure.

WARNING: The vibration emission value during actual use of the power tool can differ from the declared value depending on the ways in which the tool is used dependant on the following examples and other variations on how the tool is used:

How the tool is used and the materials being cut or drilled. The tool being in good condition and well maintained Using the correct accessory for the tool and ensuring it is sharp and in good condition.

The tightness of the grip on the handles and if any anti vibration accessories are used.

And the tool is being used as intended by its design and these instructions.

This tool may cause hand-arm vibration syndrome if its use is not adequately managed



WARNING: To be accurate, an estimation of exposure level in the actual conditions of use should also take account of all parts of the operating cycle such as the times when the tool is switched off and when it is running idle but not actually doing the job. This may significantly reduce the exposure level over the total working period.

Helping to minimise your vibration exposure risk. Maintain this tool in accordance with these instructions and keep well lubricated (where appropriate).

If the tool is to be used regularly then invest in anti vibration accessories.

Plan your work schedule to spread any high vibration tool use across a number of days.

ACCESSORIES

	WG620E	WG620E.2	WG620E.4	WG620E.9	WG620E.10
Hose (6m)	1	1	1	1	1
Pressure cleaning lance	1	1	1	1	1
Multi-Spray nozzle	1	1	1	1	1
Battery pack (WA3551)	1	1	2	/	1
Charger (WA3880)	1	1	1	/	1
Brush (WA4048)	/	1	1	/	/
Soap bottle (WA4036)	/	1	1	/	/
Foldable water bucket (WA4015)	/	1	1	/	/
Bottle cap connector (WA4038)	/	1	1	/	1
Turbo nozzle (WA4037)	/	/	/	/	/
Window squeegee with water sprayer (WA4050)	/	/	/	/	/

Extension lance (WA4012)	/	/	/	/	/
Pivoting quick connect adapter (WA4039)	/	/	/	/	/
Rotary cleaning brush (WA4042)	/	/	/	/	/
Adjustable power scrubber (WA1820 / WA1821)	/	/	/	/	/
Short lance (WA4013)	/	/	/	/	1

We recommend that you purchase your accessories from the same store that sold you the tool. Refer to the accessory packaging for further details. Store personnel can assist you and offer advice.

OPERATING INSTRUCTIONS



NOTE: Before using the tool, read the instruction book carefully.

INTENDED USE

This tool is intended for cleaning and watering.

ASSEMBLY & OPERATION

ACTION	FIGURE
BEFORE OPERATION	
Installing the battery pack	See Fig. A1
Removing the battery pack	See Fig. A2
Checking the battery condition NOTE: Fig. A3 only applies for the battery pack with battery indicator light.	See Fig. A3
Charging the battery pack More details can be found in charger's manual	See Fig. A4
ASSEMBLY	
Attaching pressure cleaning lance to the power nozzle NOTE: When attaching, align the two projections on the lance with the grooves of the power nozzle as shown in Fig. B.	See Fig. B
Attaching the multi-spray nozzle NOTE: when attaching, rotate the nozzle left and right to make sure the nozzle fully seated into position and gently pulling it to make sure it is locked into position securely.	See Fig. C

Attaching the hose to the power nozzle
NOTE: After the hose is attached, check the connection by gently pulling upon the hose. It should not be pulled off.

See Fig. D1, D2

Attaching your own water hose (optional)
1. Remove the hose adapter
2. Attach the home garden hose with suitable connectors

NOTE: Besides the hose supplied, you can also connect the power nozzle to your own water hose with suitable connectors.
NOTE: Check whether the filter screen is missing before retightening the hose adapter. When retightening the quick hose adapter, please tighten securely. Otherwise, it may not draw any water for proper operation.

See Fig. E1, E2, E3


OPERATION

WARNING: The supplied battery is not waterproof. To avoid risk of battery failure, protect the battery from water exposure during use. Store the tool and battery in a dry place after use.

Start

NOTE: At the first use or after long-term storage, it is recommended to attach the tap or inject water into the hose adapter with the machine turned on, so as to empty the air. Do not start working until the water goes up along the hose and sprays out.

See Fig. F1, F2, F3

Selecting the nozzle pattern
NOTE: Choose a suitable nozzle pattern according to your work. Spray patterns 0°, 15°, 25° and 40° are applicable for cleaning, and the spray pattern with the symbol  is best suitable for watering.

See Fig. G

WARNING: Do not shift the nozzle pattern when the tool is powered on.

Cleaning

WARNING: Do not connect the machine to water supplies that are dirty, rusty, muddy, or corrosive. (Including window cleaning liquids, plant foods, or fertilizers etc.)

NOTE: For proper maintenance after using with sea water, the product should be rinsed by fresh water.

See Fig. H, I

Watering

See Fig. J

ATTACHMENT OF ACCESSORIES

A number of accessories have been supplied with this product and are required for use in different applications. **Do not attempt to use cleaning without a lance or any accessories attached.**

1. Soap bottle (WA4036, sold separately)

Soap bottle provides detergent suds for deeper cleaning of dirt. It is used in conjunction with power nozzle or extension lance. (See Fig. K1, K2)

2. Brush (WA4048, sold separately)

Brush is for cleaning cars, boats, motorcycles etc. It is used in conjunction with power nozzle or extension lance. (See Fig. L1, L2)

3. Foldable water bucket (WA4015, sold separately)

Foldable water bucket allows you to connect to water supply when you are far away from a water source. When not in use, it can be folded for storage. (See Fig. M1, M2)

4. Turbo nozzle (WA4037, sold separately)

The turbo nozzle delivers 360° of rotating water, which cleans a larger area than the 0° water pattern during the same time period. Recommend to use it with high pressure setting (See Fig. N)

5. Window squeegee with water sprayer (WA4050, sold separately)

The window squeegees quick connection easily snaps into the tool to spray water or wipe off water from glass or tiled surfaces. Suitable for the HydroShot power cleaner or the extension lance. (See Fig. O1, O2, O3, O4)

6. Bottle cap connector (WA4038, sold separately)

The bottle cap connector accessory allows the tool to directly connect with most 2 Liter bottles with approximately 1" openings. (NOTE: May not fit all consumable soda and water bottles) (See Fig. P1, P2, P3)

WARNING: Do not install the bottle cap connector accessory until it is ready to be used. The accessories vents will leak liquid, if a bottle is installed, with the machine lying on a surface.

7. Pivoting Quick Connect Adapter (WA4039, sold separately)

The Pivoting Quick Connect Adapter allows power cleaning tips to be fully adjusted up to 180° in any direction. Ideal for cleaning around hard-to-reach areas. Suitable for the HYDROSHOT™ power cleaner and multi-spray nozzle (See Fig. Q1, Q2)

8. Rotary Cleaning Brush (WA4042, sold separately)

The rotary cleaning brush accessory easily snaps into the tool for cleaning sensitive surfaces and around tight spaces. Suitable for the HYDROSHOT™ power cleaner with/without the extension lance installed. (See Fig. R)

9. Adjustable Power Scrubber (WA1820 / WA1821), sold separately)

The water powered rotary scrubber accessory easily snaps into the tool for cleaning hard surfaces. Suitable for the HYDROSHOT™ power cleaner with/without the extension lance installed. (See Fig. S, T, U) The soft scrubber (WA1820) is applicable for sensitive surfaces and the hard bristle scrubber (WA1821) is applicable for cleaning hard surfaces (not recommended for cars).

MAINTENANCE

Remove the battery pack from the tool before carrying out any adjustment, servicing or maintenance.

Inspect the product for damaged or worn parts before each use. Do not operate it if you find damaged or worn parts. Contact your supplier or the manufacturer for replacement parts.

Hose filter maintenance

Remove the hose filter from the hose and get out the strainer. Rinse the parts with clean water before reassembling. (See Fig. V1, V2)

Filter screen maintenance

Remove the hose adapter to get the filter screen. (See Fig. E1, E2) Rinse it with clean water before reassembling.

Note: When retightening the hose adapter, please tighten securely. Otherwise, it may not draw any water for proper operation.



WARNING: Any other servicing should be performed by an authorized service representative.

CLEANING/STORAGE

Before Storage, completely drain all the water from the machine and hose.

Clean the moulded plastic housing of the machine using a soft brush and clean cloth. Do not use water, solvents or polishes. Store in a secure and dry place out of the reach of children. Do not place other objects on the product. Store the machine and the accessories in a frost free place.

ENVIRONMENTAL PROTECTION



Waste electrical products must not be disposed of with household waste. Please recycle where facilities exist. Check with your local authorities or retailer for recycling advice.

DECLARATION OF CONFORMITY

We,
Positec Germany GmbH
Grüner Weg 10, 50825 Cologne, Germany

Declare that the product
Description **Battery-operated washer**
Type **WG620E WG620E.2 WG620E.4 WG620E.9
WG620E.10 (620-649 - designation of machinery,
representative of battery-powered washer)**
Function **Cleaning and watering**

Complies with the following Directives:

2006/42/EC
2014/30/EU
2011/65/EU&(EU)2015/863
2000/14/EC amended by 2005/88/EC

2000/14/EC amended by 2005/88/EC:

- Conformity Assessment Procedure as per **Annex V**
- Measured Sound Power Level **84.8 dB**
- Declared Guaranteed Sound Power Level **87 dB**

Standards conform to

EN 60335-1
EN 60335-2-54
EN 62233
EN ISO 3744
EN 55014-1
EN 55014-2

The person authorized to compile the technical file,

Name Marcel Filz
Address Positec Germany GmbH Grüner Weg 10,
50825 Cologne, Germany



2020/11/20

Allen Ding

Deputy Chief Engineer, Testing & Certification

Positec Technology (China) Co., Ltd

18, Dongwang Road, Suzhou Industrial

Park, Jiangsu 215123, P. R. China

TROUBLESHOOTING

Symptom	Possible causes	Solution
Machine turns on but it does not draw any water or there is not sufficient pressure.	Power nozzle is too high from the water source surface.	Lower the machine below 5ft/1.5m.
	Hose filter is blocked.	Take out the hose filter and rinse the parts with clean water. (See Fig. V1, V2)
	The users garden hose is not well connected to the machine.	Check and reattach the garden hose tightly. (See Fig. E1, E2, E3)
	Hose adapter looses. The filter screen is missing. (See Fig. E2)	Tighten the hose adapter securely with a spanner. Contact Worx service agent to get a filter screen.
	Pump, hose, or other parts are frozen due to outside temperatures.	Wait for the pump, hose or other parts to thaw.
	Hose kinks.	Straighten out the hose.
Multi-spray nozzle leaks.	The nozzle pattern does not spray correctly.	Make sure the nozzle pattern symbol aligns with the indicator mark on tool.
	Fixing nail of the multi-spray nozzle loosens.	Tighten it with a hex key.
Outlet pressure increases suddenly.	Multi-spray nozzle is blocked.	Replace with a new multi-spray nozzle.
Machine drains out water after stopping.	There is water remaining in the lance and pump after stopping.	Drain all the water completely before storage.
Soap accessory cannot spray out any detergent.	Blockage in the soap bottle.	Clean it with fresh water.
Machine does not start.	The battery pack is not attached well.	Reinstall the battery pack.
	Battery pack is empty.	Replace with a new battery pack or recharge the battery pack.
	Defective battery.	Replace with a new battery pack.
Machine pressure is not consistent.	Additional air could be sucked into the machine.	Check connection between the hose adapter and the hose.
	It is at low pressure setting.	No action need.
Machine stops automatically.	Battery pack is empty.	Replace with a new battery pack or recharge the battery pack.
	The multi-spray nozzle is blocked. The current protection is activated.	Remove the multi-spray nozzle and turn on the machine. If the machine works normally, replace with a new multi-spray nozzle.

PRODUKTSICHERHEIT ALLGEMEINE SICHERHEITSHINWEISE

 **WARNUNG: Lesen Sie alle**

Sicherheitshinweise und Anweisungen. *Versäumnisse bei der Einhaltung der Sicherheitshinweise und Anweisungen können elektrischen Schlag, Brand und/oder schwere Verletzungen verursachen.*

Bewahren Sie alle Sicherheitshinweise und Anweisungen für die Zukunft auf.

- Das Gerät kann von Personen mit eingeschränkten körperlichen, sensorischen oder geistigen Fähigkeiten verwendet werden, oder von Personen mit fehlender Erfahrung und Wissen, wenn sie dabei überwacht werden oder Anweisungen hinsichtlich des sicheren Gebrauchs des Geräts erhalten und sie die damit verbundenen Risiken verstehen. Kinder dürfen nicht mit dem Gerät spielen.
- Das Gerät darf nur mit dem mitgelieferten Netzteil verwendet werden.

ZUSÄTZLICHE SICHERHEITSHINWEISE

1. Halten Sie Flüssigkeiten von Geräten mit elektrischen Komponenten fern.
2. Entfernen oder schalten Sie den Akku nach dem Gebrauch ab und bevor Sie Wartungsarbeiten am Gerät ausführen.
3. Das Gerät darf nicht unbeaufsichtigt gelassen werden, während es an das Stromnetz angeschlossen ist.
4. Das Gerät darf nicht verwendet werden, wenn es fallen gelassen wurde, wenn es sichtbare Beschädigungen aufweist oder undicht ist;
5. Halten Sie das Gerät außerhalb der Reichweite von Kindern, wenn es an eine Stromzufuhr angeschlossen ist.

Sicherheitshinweise für Akkupack

- a) Zellen bzw. Akkupack nicht zerlegen, öffnen oder zerdrücken.**
- b) Akkupack nicht kurzschließen. Akkupacks nicht wahllos in einer Schachtel oder Schublade aufbewahren, wo sie einander kurzschließen oder durch**

andere leitfähige Materialien kurzgeschlossen werden könnten.

Bei Nichtverwendung des Akkupacks ist dieses von Metallgegenständen fernzuhalten, wie etwa Büroklammern, Münzen, Nägeln, Schrauben oder anderen kleinen Metallgegenständen, wo sich die Batterieklemmen berühren könnten. Das Kurzschließen der Batterieklemmen kann Verbrennungen bzw. einen Brand verursachen.

- c) Zellen bzw. Akkupacks nicht Hitze oder Feuer aussetzen. Lagerung in direktem Sonnenlicht vermeiden.**
- d) Akkupack nicht mechanischen Stößen aussetzen.**
- e) Im Fall, dass Flüssigkeit aus dem Akku austritt, darf diese nicht in Kontakt mit der Haut oder den Augen kommen. Sollte dies dennoch geschehen, den betroffenen Bereich sofort mit viel Wasser spülen und einen Arzt aufsuchen.**
- f) Beim Verschlucken einer Zelle oder eines Akkupacks muss sofort ein Arzt herangezogen werden.**
- g) Akkupack sauber und trocken halten.**
- h) Sollten die Klemmen des Akkupacks schmutzig**



werden, diese mit einem sauberen, trockenen Tuch abwischen.



- i) Akkupack muss vor Gebrauch aufgeladen werden. Immer diese Anweisungen beachten und den korrekten Ladevorgang ausführen.**
- j) Akkupack bei Nichtverwendung nicht längere Zeit aufladen lassen.**
- k) Nach längerer Lagerung des Gerätes ist es eventuell notwendig, die Zellen oder das Akkupack mehrere Male aufzuladen und zu entladen, um eine optimale Leistung zu erhalten.**
- l) Akkupacks funktionieren bei normaler Zimmertemperatur (20°C ± 5°C) am besten.**
- m) Beim Entsorgen von Akkupacks sollten Akkupacks mit verschiedenen elektrochemischen Systemen voneinander getrennt gehalten werden.**
- n) Nur mit dem von Worx bezeichneten Ladegerät aufladen. Kein Ladegerät verwenden, das nicht ausdrücklich für den Gebrauch mit dem Gerät vorgesehen ist. Ein Ladegerät, das für eine bestimmte Art von Akkupack geeignet ist, kann bei Verwendung mit einem anderen**

Akkupack eine Brandgefahr darstellen.

- o) Kein Akkupack verwenden, das nicht für den Gebrauch mit dem Gerät vorgesehen ist.**
- p) Akkupacks von Kindern fernhalten.**
- q) Die originalen Produktunterlagen zum späteren Nachschlagen aufbewahren.**
- r) Den Akku bei Nichtverwendung aus dem Gerät nehmen.**
- s) Ordnungsgemäß entsorgen.**
- t) Vermischen Sie keine Zellen verschiedener Hersteller, Kapazitäten, Größen oder Typen innerhalb eines Geräts.**
- u) Nehmen Sie das Akkupack nicht aus der Originalverpackung, bis es verwendet werden soll.**
- v) Beachten Sie die Plus (+) und Minus (-) Markierungen auf dem Akku und stellen Sie die korrekte Anwendung sicher.**

SYMBOLE

	Warnung
	Bedienungsanleitung lesen

	Elektroprodukte dürfen nicht mit dem normalen Haushaltsmüll entsorgt werden, sondern sollten nach Möglichkeit zu einer Recyclingstelle gebracht werden. Ihre zuständigen Behörden oder Ihr Fachhändler geben Ihnen hierzu gerne Auskunft.
 Li-Ion 	Akku nicht in den Haushaltsmüll geben. Bringen Sie den leeren Akku zu Ihrer lokalen Sammel- oder Recyclingstelle.
	Nicht verbrennen
	Vor Regen und Feuchtigkeit schützen
	Entfernen Sie den Akku aus der Halterung, bevor Sie Einstellungen, Service- oder Wartungsarbeiten durchführen.
	Entriegeln
	Verriegeln

KOMPONENTEN

1. **VERRIEGELUNGSSCHALTER**
2. **AKKUVERRIEGELUNG**
3. **AKKUPACK***
4. **SCHALTERHEBEL EIN/AUS**
5. **SCHLAUCHADAPTER**
6. **HOCHDRUCKDÜSE**
7. **HOCHDRUCKREINIGUNGSBLANZE**
8. **DÜSENADAPTER**
9. **MULTI-SPRÜHDÜSE**

- 10. **ARRETIERUNG**
- 11. **SCHLAUCHANSCHLUSS**
- 12. **SCHLAUCHFILTER**
- 13. **SCHLAUCHCLIP**
- 14. **SCHLAUCH**
- 15. **TREIBER**
- 16. **SEIFENFLASCHE* (WA4036)**
- 17. **BÜRSTE* (WA4048)**
- 18. **FALTBARER WASSEREIMER* (WA4015)**
- 19. **FILTERSIEB (SIEHE ABB. E2)**
- 20. **TURBO-DÜSE* (WA4037)**
- 21. **FENSTERABZIEHER MIT WASSERSPRÜHER* (WA4050)**
- 22. **FLASCHENKAPPEN-ANSCHLUSSSTÜCK* (WA4038)**
- 23. **DREHBARER SCHNELLANSCHLUSS * (WA4039)**
- 24. **DREHBARE REINIGUNGSBÜRSTE* (WA4042)**
- 25. **EINSTELLBARER WASCHSCHRUBBER * (WA1820 / WA1821)**
- 26. **KURZE SPRÜHLANZE* (WA4013)**

* Abgebildetes oder beschriebenes Zubehör gehört teilweise nicht zum Lieferumfang.

TECHNISCHE DATEN

Typ **WG620E WG620E.2 WG620E.4 WG620E.9 WG620E.10(620-649 - Bezeichnung der Maschine, Vertreter des batteriebetriebenen Reinigers)**

	WG620E WG620E.2 WG620E.4 WG620E.10	WG620E.9
Nennspannung	20 V Max**	
Max. Druck	2.4Mpa (24bar)	
Nenndruck	2.2Mpa (22bar)	
Maximale Wasserdurchlaufrate	120L/h	
Max. Eintrittsdruck des Wassers	0.6Mpa (6bar)	
Saughöhe	Max. 1.5m	
Gewicht (mit Lanze)	1.7kg	1.3kg

**Spannung ohne Arbeitslast gemessen.
Anfangsakkuspannung erreicht maximal 20 Volt.
Nennspannung ist 18 Volt.

INFORMATIONEN ÜBER LÄRM

Gewichteter Schalldruck	L_{PA} : 73.8 dB(A)
Gewichtete Schallleistung	L_{WA} : 84.8 dB(A)
K_{PA}	2.35 dB(A)

Tragen Sie einen Gehörschutz.



INFORMATIONEN ÜBER VIBRATIONEN

Typischer gewichteter Vibrationswert	$a_{(h)}$ = 1.339 m/s ² K = 1.5 m/s ²
--------------------------------------	--

Der angegebene Gesamtvibrationswert kann zum Vergleich eines Werkzeugs mit einem anderen und auch zur vorläufigen Expositionsbewertung verwendet werden.

! WARNING: Der Vibrationsemissionswert kann während des tatsächlichen Gebrauchs des Elektrowerkzeugs vom angegebenen Wert abweichen, je nachdem, wie das Werkzeug gemäß folgenden Beispielen und weiteren Verwendungsmöglichkeiten eingesetzt wird:

Die Verwendung des Werkzeugs und die Art, wie die Materialien geschnitten oder angebohrt werden.
Der Pflege- und Wartungszustand des Werkzeugs.
Die Verwendung des richtigen Zubehörs und dessen Schärfe und Zustand.
Die Festigkeit der Handgriffe und die Benutzung von Antivibrationszubehör.
Der bestimmungsgemäß eund diesen Anweisungen entsprechende Gebrauch.

Wird dieses Werkzeug nicht angemessen gehandhabt, kann es zum Auftreten des Hand-Arm-Vibrationssyndroms kommen.

! WARNING: Sie sollten die tatsächlichen Arbeitsabschnitte genau ermitteln, um so den Belastungsgrad abzuschätzen. Auf diese Weise kann der Belastungsgrad während der gesamten Arbeitszeit möglicherweise wesentlich gemindert werden.

So minimieren Sie das Risiko, dem Sie bei Vibrationen ausgesetzt sind.

Pflegen Sie dieses Werkzeug den Anweisungen entsprechend und achten Sie stets auf eine gutes Einfetten (wo erforderlich).

Bei regelmäßiger Verwendung von Elektrowerkzeug

sollten Sie in Antivibrationszubehör investieren. Erstellen Sie einen Arbeitsplan, um die Verwendung von hochvibrierenden Werkzeugen auf mehrere Tage zu verteilen.

ZUBEHÖRTEILE

	WG620E	WG620E.2	WG620E.4	WG620E.9	WG620E.10
Schlauch (6m)	1	1	1	1	1
Hochdruckreinigungslanze	1	1	1	1	1
Multi-Sprühdüse	1	1	1	1	1
Akkupack (WA3551)	1	1	2	/	1
Ladegerät (WA3880)	1	1	1	/	1
Bürste (WA4048)	/	1	1	/	/
Seifenflasche (WA4036)	/	1	1	/	/
Faltbarer Wassereimer (WA4015)	/	1	1	/	/
Flaschenkappen-Anschlussstück (WA4038)	/	1	1	/	1
Turbo-Düse (WA4037)	/	/	/	/	/
Fensterabzieher mit Wassersprüher (WA4050)	/	/	/	/	/
Verlängerung der Sprühdüse (WA4012)	/	/	/	/	/
Drehbarer Schnellanschluss (WA4039)	/	/	/	/	/
Drehbare Reinigungsbürste (WA4042)	/	/	/	/	/
Einstellbarer Waschschrubber (WA1820 / WA1821)	/	/	/	/	/
Kurze Sprühdüse (WA4013)	/	/	/	/	1

Wir empfehlen Ihnen, sämtliche Zubehörteile beim selben Fachhändler zu beziehen, bei dem Sie auch Ihr Elektrowerkzeug gekauft haben. Weitere Informationen finden Sie auf der Verpackung der Zubehörteile. Auch Ihr Fachhändler berät Sie gerne.

HINWEISE ZUM BETRIEB




HINWEIS: Lesen Sie das Handbuch vor Inbetriebnahme des Werkzeuges sorgfältig durch.

Bestimmungsgemäßer Gebrauch

Dieses Werkzeug ist für die Reinigung und Bewässerung konzipiert.

MONTAGE UND BEDIENUNG

AKTION	ABBILDUNG
VOR INBETRIEBNAHME	
Einsetzen des Akkupacks	Siehe Abb. A1
Entnehmen des Akkupacks	Siehe Abb. A2
Prüfen des Akkuladestands HINWEIS: Abb. A3 gilt nur für das Akkupack mit Akkustandanzeige.	Siehe Abb. A3
Laden Sie den Akku auf. Weitere Details finden Sie im Handbuch des Ladegeräts.	Siehe Abb. A4
MONTAGE	
Montieren Sie die Hochdruckreinigungslanze an der Hochdruckdüse. HINWEIS: Während des Anbringens, richten Sie die zwei Markierungen an der Sprühdüse hinsichtlich der Einkerbungen an der Hochdruckdüse aus, wie abgebildet in Abb. B.	Siehe Abb. B
Anbringen der Multi-Sprühdüse  HINWEIS: Während des Anbringens, drehen Sie die Düse nach links und rechts, um dafür zu sorgen, dass die Düse gänzlich in Position ist und ziehen Sie leicht daran, um sicherzustellen, dass diese sicher eingerastet ist.	Siehe Abb. C
Anbringen des Schlauchs an der Hochdruckdüse HINWEIS: Nachdem der Schlauch angebracht wurde, prüfen Sie die Verbindung, indem Sie sanft am Schlauch ziehen. Dieser sollte sich nicht ablösen.	Siehe Abb. D1, D2

ANBRINGEN DER ACCESSOIRES

Eine Anzahl Accessoires werden mit dem Produkt zusammen geliefert und werden benötigt für den Gebrauch im Rahmen unterschiedlicher Anwendungen. **Versuchen Sie nicht, die Reinigung ohne eine Sprühlanze oder Accessoires vorzunehmen.**

1. Seifenflasche (WA4036, separat erhältlich)

Sie Seifenflasche liefert Seifenlauge zur Tiefenreinigung von Verschmutzungen. Diese kann zusammen mit der Hochdruckdüse oder Verlängerung der Sprühlanze verwendet werden. (Siehe Abb. K1, K2)

2. Bürste (WA4048, separat erhältlich)

Die Bürste dient der Reinigung von Autos, Booten, Motorrädern usw. Diese wird zusammen mit der Hochdruckdüse oder der Verlängerung der Sprühlanze verwendet. (Siehe Abb. L1, L2)

3. Faltbarer Wassereimer (WA4015, separat erhältlich)

Der faltbare Wassereimer ermöglicht es Ihnen, das Gerät an eine Wasserquelle anzuschließen, auch wenn Sie weit entfernt sind von einer solchen Wasserquelle. Wenn der Eimer nicht in Gebrauch ist, kann er zur Lagerung gefaltet werden. (Siehe Abb. M1, M2)

4. Turbo-Düse (WA4037, separat erhältlich)

Die Turbo-Düse liefert 360° rundum verteiltes Wasser, das einen größeren Bereich als das 0° Wassermuster im gleichen Zeitraum reinigt. Empfehlenswerter Einsatz bei hoher Druckeinstellung (siehe Abb. N)

5. Fensterabzieher mit Wassersprüher (WA4050, separat erhältlich)

Der Schnellverschluss des Fensterabziehers rastet leicht im Werkzeug ein, um Wasser zu versprühen oder dieses von Glas- oder Fliesenoberflächen abzuwischen. Geeignet für den HydroShot-Hochdruckreiniger oder das Verlängerungsrohr. (siehe Abb. O1, O2, O3, O4)

6. Flaschenkappen-Anschlussstück (WA4038, separat erhältlich)

Durch das Flaschenkappen-Anschlussstück kann das Werkzeug direkt mit den meisten 2 Liter-Flaschen mit einer Öffnung von ungefähr 1 Zoll verbunden werden. (HINWEIS: Passt möglicherweise nicht auf alle Soda- und Wasserflaschen) (siehe Abb. P1, P2, P3)
WARNUNG: Montieren Sie das Flaschenkappen-Anschlussstück nicht, bevor es einsatzbereit ist. Durch die Lüftungsöffnungen des Zubehörs wird bei eingelegter Flasche Flüssigkeit austreten, wenn die Maschine auf einer Fläche liegt.

7. Drehbarer Schnellanschluss (WA4039, separat erhältlich)

Der drehbare Schnellanschluss ermöglicht die vollständige Einstellung der Reinigungsspitzen um bis zu 180° in jede Richtung. Das ist ideal für die Reinigung schwer zugänglicher Stellen. Geeignet für HYDROSHOT™ Hochdruckreiniger mit Multi-Sprühdüse. (Siehe Abb. Q1, Q2)

Anbringen Ihres eigenen Wasserschlauchs (optional)

1. Entfernen Sie den Schlauchadapter
2. Bringen Sie den Gartenschlauch mithilfe einer geeigneten Verbindung an.

HINWEISE: Außer dem mitgelieferten Schlauch können Sie die Hochdruckdüse auch mit Ihrem eigenen Wasserschlauch verbinden, mithilfe geeigneter Verbindungen.

HINWEISE: Prüfen Sie vor dem Festziehen des Schlauchadapters, ob das Filtersieb fehlt. Wenn Sie die Schlauchschnellkupplung wieder montieren, ziehen Sie diese bitte fest an. Anderenfalls kann kein Wasser für den korrekten Betrieb angesaugt werden.

Siehe Abb. E1, E2, E3

BETRIEB


⚠️ WARNUNG: Der mitgelieferte Akku ist nicht wasserfest. Um die Gefahr eines Akkuausfalls zu vermeiden, schützen Sie den Akku bei der Nutzung vor Wasser. Lagern Sie das Werkzeug und den Akku nach dem Gebrauch an einem trockenen Ort.

Start

HINWEISE: Bei der erstmaligen Inbetriebnahme oder nach langfristiger Lagerung wird empfohlen, den Wasserhahn zu schließen oder einige Minuten zu warten, damit die Luft entweichen kann, bis das Wasser durch den Schlauch nach oben steigt und herausspritzt.

Siehe Abb. F1, F2, F3

Auswählen der Düsenfunktion

HINWEISE: Wählen Sie eine angemessene Düsenfunktion aus, Ihrer Arbeit entsprechend. Sprühmuster 0°, 15°, 25° und 40° sind verfügbar für die Reinigung und das Sprühmuster mit dem Symbol  ist am besten für die Bewässerung geeignet.

WARNUNG: Ändern Sie nicht die Düseneinstellung, während das Gerät in Betrieb ist.

Siehe Abb. G

Reinigung[

⚠️ WARNUNG: Schließen Sie die Maschine nicht an Wasserversorgungen an, die schmutzig, rostig, schlammig oder korrosiv sind (einschließlich Fensterreiniger, Pflanzennahrung oder Düngemittel, usw.).

HINWEISE: Um es nach der Anwendung mit Meerwasser ordnungsgemäß zu warten, sollte das Produkt mit Frischwasser gespült werden.

Siehe Abb. H, I

Bewässerung

Siehe Abb. J

8. Drehbare Reinigungsbürste (WA4042, separat erhältlich)

Die drehbare Reinigungsbürste kann ganz leicht mit dem Werkzeug verbunden werden, um empfindliche Oberflächen und enge Bereiche zu reinigen. Geeignet für den HYDROSHOT™-Hochdruckreiniger mit oder ohne Verlängerungsrohr. (Siehe Abb. R)

9. Einstellbarer Waschschrubber (WA1820 / WA1821, separat erhältlich)

Der wasserbetriebene, drehbare Waschschrubber kann ganz einfach mit dem Werkzeug verbunden werden, um harte Oberflächen zu reinigen. Geeignet für den HYDROSHOT™-Hochdruckreiniger mit oder ohne Verlängerungsrohr. (siehe Abb. S, T, U) Der weiche Bürstenkopf (WA1820) eignet sich für empfindliche Oberflächen (nicht empfohlen für Fahrzeuge), die Hartborsten-Scheuerbürste (WA1821) zur Reinigung harter Oberflächen (nicht empfohlen für Fahrzeuge).

WARTUNG

Entfernen Sie das Akkupack aus dem Werkzeug, bevor Sie Einstellungen, Service- oder Wartungsarbeiten daran durchführen.

Prüfen Sie das Produkt vor jedem Gebrauch im Hinblick auf beschädigte oder abgenutzte Elemente. Nehmen Sie es nicht in Betrieb, wenn Sie beschädigte oder abgenutzte Elemente finden. Nehmen Sie Kontakt zu Ihrem Händler oder zum Hersteller auf, hinsichtlich von Ersatzteilen.

Wartung des Schlauchfilters

Entfernen Sie den Schlauchfilter vom Schlauch und nehmen Sie das Sieb heraus. Spülen Sie die Elemente mit sauberem Wasser ab, bevor Sie alles erneut zusammensetzen. (Siehe Abb. V1, V2)

Filter-Bildschirmwartung

Entfernen Sie den Schlauchadapter, um den Filter zu erhalten. (Siehe Abb. E1, E2) Vor dem Zusammenbau mit Wasser spülen.

HINWEIS: Ziehen Sie den Schlauchadapter fest, wenn Sie ihn festziehen. Andernfalls können Sie möglicherweise kein Wasser für den normalen Betrieb entnehmen.

 **WARNUNG: Alle anderen Dienstleistungen sollten von einem autorisierten Servicevertreter ausgeführt werden.**


REINIGUNG/AUFBEWAHRUNG

Vor dem Lagern, das Wasser gänzlich aus Maschine und Schlauch ablaufen lassen.

Reinigen Sie das Plastikgehäuse der Maschine mithilfe einer weichen Bürste und eines sauberen Tuchs. Verwenden Sie kein Wasser, Reinigungsmittel oder Polituren. Lagern Sie das Gerät immer an einem trockenen Platz, und außer Reichweite von Kindern. Keine anderen Gegenstände auf die Maschine stellen.

Lagern Sie die Maschine sowie die Accessoires an einem frostfreien Ort.

UMWELTSCHUTZ

 Elektroprodukte dürfen nicht mit dem normalen Haushaltsmüll entsorgt werden, sondern sollten nach Möglichkeit zu einer Recyclingstelle gebracht werden. Ihre zuständigen Behörden oder Ihr Fachhändler geben Ihnen hierzu gerne Auskunft.

KONFORMITÄTSERKLÄRUNG

Wir,
Positec Germany GmbH
Grüner Weg 10, 50825 Cologne, Germany

erklären hiermit, dass unser Produkt
Beschreibung **Batteriebetriebener Reiniger**
Typ **WG620E WG620E.2 WG620E.4 WG620E.9**
WG620E.10 (620-649 - Bezeichnung der Maschine,
Vertreter des batteriebetriebenen Reinigers)
Funktion **Reinigung und Bewässerung**

den Bestimmungen der folgenden Richtlinien entspricht:
2006/42/EC, 2014/30/EU,
2011/65/EU&(EU)2015/863,
2000/14/EC geändert durch 2005/88/EC

2000/14/EC geändert durch 2005/88/EC:
- Konformitätsbewertungsverfahren nach **Anhang V**
- Gemessene Schalleistung **84,8 dB**
- Garantierte Schalleistung **87dB**

Verwendete Normen
EN 60335-1, EN 60335-2-54, EN 62233,
EN ISO 3744, EN 55014-1, EN 55014-2

Zur Kompilierung der technischen Datei ermächtigte Person,
Name Marcel Filz
Anschrift Positec Germany GmbH Grüner Weg 10,
50825 Cologne, Germany



2020/11/23
Stellvertretender Cheffingenieur, Prüfung und Zertifizierung
Positec Technology (China) Co., Ltd
18, Dongwang Road, Suzhou Industrial Park, Jiangsu 215123, P. R. China

Störungsbehebung

Problem	Mögliche Ursachen	Abhilfemaßnahme
Die Maschine schaltet ein, saugt aber kein Wasser an oder der Druck ist unzureichend.	Die Leistungsdüse ist zu hoch über der Oberfläche der Wasserquelle positioniert.	Senken Sie die Maschine auf weniger als 1,5 m ab.
	Der Schlauchfilter ist verstopft.	Nehmen Sie den Schlauchfilter heraus, und spülen Sie die Teile mit sauberem Wasser aus. (Siehe Abb. V1, V2)
	Der Gartenschlauch des Anwenders ist nicht ordnungsgemäß an die Maschine angeschlossen.	Prüfen Sie den Gartenschlauch, und bringen Sie diesen wieder fest an. (Siehe Abb. E1, E2, E3)
	Schlauchadapter ist lose. Das Filtersieb fehlt. (Siehe Abb. E2)	Ziehen Sie den Schlauchadapter mit einem Schraubenschlüssel fest an. Wenden Sie sich an den Worx Servicevertreter, um ein Filtersieb zu erhalten.
	Pumpe, Schlauch oder andere Teile sind durch die Außentemperaturen gefroren.	Warten Sie, bis Pumpe, Schlauch oder andere Teile aufgetaut sind.
	Der Schlauch ist geknickt.	Begradigen Sie den Schlauch.
Mehrzweck-Spritzdüse ist undicht.	Das Düsenmuster wird nicht korrekt gespritzt.	Stellen Sie sicher, dass das Symbol des Düsenmusters mit der Anzeigemarkierung auf dem Werkzeug ausgerichtet ist.
	Die Arretierung der Mehrzweck-Düse ist locker.	Ziehen Sie diese mit einem Innensechskantschlüssel fest.
26 Ausgangsdruck steigt plötzlich an.	Mehrzweck-Spritzdüse ist verstopft.	Ersetzen Sie diese durch eine neue Mehrzweck-Spritzdüse.
Die Maschine lässt nach dem Ausschalten das Wasser ab.	Nach dem Ausschalten ist noch restliches Wasser in der Lanze und Pumpe vorhanden.	Lassen Sie das Wasser vor der Lagerung vollständig ab.
Das Seifen-Zubehör kann kein Reinigungsmittel sprühen.	Verstopfung in der Seifenflasche.	Reinigen Sie diese mit Frischwasser.
Die Maschine startet nicht.	Das Akkupack ist nicht korrekt eingelegt.	Legen Sie das Akkupack noch einmal neu ein.
	Das Akkupack ist leer.	Ersetzen Sie es durch ein neues Akkupack oder laden Sie das Akkupack auf.
	Akku defekt.	Akku austauschen.
Der Maschinendruck ist nicht konstant.	Die Maschine kann möglicherweise zusätzliche Luft ansaugen.	Prüfen Sie die Verbindung zwischen Schlauchadapter und Schlauch.
	Es wurde eine niedrige Druckeinstellung gewählt.	Keine Maßnahme notwendig.
Die Maschine stoppt automatisch.	Das Akkupack ist leer.	Ersetzen Sie dieses durch ein neues Akkupack oder laden Sie es auf.
	Die Mehrzweck-Spritzdüse ist verstopft. Der Stromschutz ist aktiviert.	Entfernen Sie die Mehrzweck-Spritzdüse, und schalten Sie die Maschine ein. Wenn die Maschine normal funktioniert, tauschen Sie die Mehrzweck-Spritzdüse gegen eine neue aus.

INSTRUCTIONS DE SÉCURITÉ AVERTISSEMENTS DE SÉCURITÉ GÉNÉRAUX

 **AVERTISSEMENT: Lire tous les avertissements de sécurité et toutes les instructions.** Ne pas suivre les avertissements et instructions peut donner lieu à un choc électrique, un incendie et/ou une blessure sérieuse.

Conserver tous les avertissements et toutes les instructions pour pouvoir s'y reporter ultérieurement.

- Cet appareil peut être utilisé par des personnes ayant un handicap physique, sensoriel ou mental, ou manquant d'expérience et n'ayant pas les connaissances nécessaires, à condition d'être surveillées ou d'avoir reçu les instructions concernant une utilisation sûre de l'appareil et d'avoir compris les risques encourus. Ne laissez pas les enfants jouer avec l'appareil.
- L'appareil ne doit être utilisé qu'avec l'unité d'alimentation fournie avec l'appareil.

Règles de sécurité supplémentaire

1. Le liquide ne doivent en aucun cas être dirigés vers du matériel contenant des composants électriques.
2. Retirez ou débranchez la batterie après utilisation et avant d'effectuer l'entretien de l'utilisateur sur l'appareil.
3. L'appareil ne doit pas être laissé sans surveillance tant qu'il est branché au secteur.
4. L'appareil ne doit pas être utilisé s'il a chuté, s'il présente des signes visibles de dommages ou s'il fuit.
5. Gardez l'appareil hors de portée des enfants lorsqu'il est sous tension.

Mises en garde concernant la batterie




- a) La batterie et les piles secondaires ne doivent pas être ouvertes, démontées ou broyées.**
- b) La batterie ne doit pas être court-circuitée. Évitez de mettre la batterie en vrac dans une boîte ou dans un tiroir où elles risqueraient de se court-circuiter entre elles ou au contact d'autres objets métalliques.** Après usage, évitez tout contact de la batterie avec d'autres objets métalliques de petite taille

(trombones, pièces, clés, clous, vis etc.) susceptibles de court-circuiter les pôles. Un court-circuit entre les pôles de la batterie peut être à l'origine de brûlures ou d'un incendie.

- c) La batterie ne doit pas être exposée au feu et à la chaleur. Évitez de la ranger à la lumière du soleil.**
- d) La batterie et les piles ne doivent pas être soumises à des chocs mécaniques.**
- e) En cas de fuite des piles, évitez tout contact du liquide avec la peau et les yeux. En cas de contact, rincez abondamment la surface touchée avec de l'eau et appelez les urgences.**
- f) En cas d'ingestion d'une pile ou d'une batterie, appelez immédiatement les urgences.**
- g) La batterie et les piles doivent rester propres et sèches.**
- h) Si la batterie ou les piles se salissent, essuyez-les avec un chiffon propre et sec.**
- i) La batterie et les piles doivent être chargées avant usage. Utilisez toujours le chargeur adéquat, et respectez les instructions du fabricant ou le mode d'emploi de l'appareil**
- concernant la procédure de recharge.**
- j) Évitez de laisser une batterie se charger pendant trop longtemps lorsqu'elle n'est pas utilisée.**
- k) Après de longues périodes d'inutilisation, il peut être nécessaire de charger et décharger la batterie et les piles à plusieurs reprises avant que celles-ci ne retrouvent leur capacité maximale.**
- l) La batterie et les piles fonctionnent au mieux de leur capacité dans une température ambiante normale, comprise entre +15°C et +25°C environ.**
- m) Les batteries fonctionnant avec des systèmes électrochimiques différents doivent être mis au rebut séparément.**
- n) N'utilisez pas d'autre chargeur que celui spécifié par Worx. N'utilisez pas d'autre chargeur que celui spécifiquement fourni avec l'appareil.** Un chargeur destiné à un type de batterie donné peut être à l'origine d'un incendie s'il est utilisé avec une autre batterie.
- o) N'utilisez en aucun cas une batterie autre que celle prévue pour cet appareil.**

- p) La batterie doit être tenue hors de portée des enfants.**
- q) Gardez la documentation d'origine du produit afin de pouvoir vous y référer ultérieurement.**
- r) Enlevez la batterie de l'appareil lorsque vous ne l'utilisez pas.**
- s) Respectez les procédures de mise au rebut.**
- t) Ne pas mélanger des piles de fabrication, capacité, taille ou type différents dans un appareil.**
- u) Ne pas retirer les batteries de leur emballage d'origine avant leur utilisation.**
- v) Noter les signes plus (+) et moins (-) sur la batterie et respecter la bonne utilisation.**

SYMBOLES

	Avertissement
	Lire le mode d'emploi
	Les déchets d'équipements électriques et électroniques ne doivent pas être déposés avec les ordures ménagères. Ils doivent être collectés pour être recyclés dans des centres spécialisés. Consultez les autorités locales ou votre revendeur pour obtenir des renseignements sur l'organisation de la collecte.

 Li-Ion	Ne pas jeter les batteries. Les batteries usagées doivent être déposées dans un centre de collecte local ou dans un centre de recyclage.
	Ne pas brûler.
	Ne pas exposer à la pluie ou à l'eau.
	Retirez la batterie de la prise avant de procéder à tout ajustement, révision ou maintenance.
	Déverrouiller
	Verrouiller

LISTE DES COMPOSANTS

1. BOUTON DE DÉVERROUILLAGE
2. VERROU DE PACK BATTERIE
3. PACK BATTERIE *
4. LEVIER DE COMMUTATION MARCHE/ARRÊT
5. ADAPTATEUR POUR FLEXIBLES
6. INJECTEUR PRINCIPAL
7. LANCE DE PULVÉRISATION
8. ADAPTATEUR POUR BUSES
9. BUSE DE PULVÉRISATION À JETS MULTIPLES
10. CLOU DE FIXATION
11. RACCORD POUR FLEXIBLES
12. FILTRE POUR FLEXIBLES
13. COLLIER DE SERRAGE POUR FLEXIBLES

14.	FLEXIBLE
15.	FLOTTEUR
16.	BOUTEILLE DE SAVON* (WA4036)
17.	BROSSE* (WA4048)
18.	SEAU D'EAU PLIABLE* (WA4015)
19.	ÉCRAN DE FILTRE (VOIR FIG. E2)
20.	BUSE TURBO* (WA4037)
21.	RACLOIR FENÊTRE AVEC PULVÉRISATEUR D'EAU * (WA4050)
22.	RACCORD POUR BOUCHON DE BOUTEILLE * (WA4038)
23.	ADAPTATEUR À RACCORD RAPIDE PIVOTANT* (WA4039)
24.	BROSSE DE NETTOYAGE ROTATIVE * (WA4042)
25.	BROSSE À RÉCURER RÉGLABLE * (WA1820 / WA1821)
26.	LANCE COURTE* (WA4013)

* Les accessoires reproduits ou décrits ne sont pas tous compris avec le modèle standard livré.

30 DONNÉES TECHNIQUES

Modèle **WG620E WG620E.2 WG620E.4 WG620E.9 WG620E.10 (620-649 - désignation de machines, représentatives de nettoyeur alimenté par batterie)**

	WG620E WG620E.2 WG620E.4 WG620E.10	WG620E.9
Tension	20 V $\overline{\text{---}}$ Max**	
Max. pression	2.4Mpa (24bar)	
Pression	2.2Mpa (22bar)	
Débit d'eau max	120L/h	
Pression max. d'entrée eau	0.6Mpa (6bar)	
Hauteur d'aspiration	Max. 1.5m	
Masse (avec lance)	1.7kg	1.3kg

**La tension est mesurée à vide. La tension initiale de la batterie atteint un maximum de 20 volts. La tension nominale est de 18 volts.

INFORMATIONS RELATIVES AU BRUIT

Niveau de pression acoustique L_{PA} : 73.8 dB(A)

Niveau de puissance acoustique L_{WA} : 84.8 dB(A)

K_{DA} 2.35 dB(A)

Porter une protection pour les oreilles.



INFORMATIONS RELATIVES AUX VIBRATIONS

Valeur de vibration mesurée a_{H1} = 1.339 m/s²
K = 1.5 m/s²

La valeur totale de vibration déclarée peut être utilisée pour comparer un outil à un autre, et peut également être utilisé dans une évaluation préliminaire de l'exposition.

AVERTISSEMENT: La valeur d'émission de vibrations pendant l'utilisation réelle de l'outil électrique peut différer de la valeur déclarée selon la manière dont l'outil est utilisé, selon les exemples suivants et d'autres variations sur la manière dont l'outil est utilisé:

Comment l'outil est utilisé et quels matériaux sont coupés ou percés.

L'outil est en bon état et bien entretenu.
L'utilisation du bon accessoire pour l'outil et l'assurance qu'il est affûté et en bon état.

La bonne tenue des poignées et, le cas échéant, les accessoires anti-vibrations utilisés.

L'outil est utilisé comme prévu dans sa conception et dans le présent mode d'emploi.

Cet outil peut causer un syndrome des vibrations main-bras s'il n'est pas correctement géré.

AVERTISSEMENT: Pour être précise, une évaluation du niveau d'exposition en conditions réelles d'utilisation doit également tenir compte de toutes les parties du cycle d'utilisation telles que les moments où l'outil est éteint, et ceux où il fonctionne au ralenti mais ne réalise pas réellement de tâche. Ceci peut réduire de manière significative le niveau d'exposition et la durée d'utilisation totale.

Afin de minimiser le risque d'exposition aux vibrations. Entretenez cet outil de manière conforme au mode d'emploi et maintenez-le lubrifié (le cas échéant).

Si l'outil doit être utilisé régulièrement, investissez dans des accessoires anti-vibrations.

Planifiez votre travail pour étaler l'utilisation des outils à forte vibration sur plusieurs jours.

ACCESSOIRES

	WG620E	WG620E.2	WG620E.4	WG620E.9	WG620E.10
Flexible (6m)	1	1	1	1	1
Lance de pulvérisation	1	1	1	1	1
Buse de pulvérisation à jets multiples	1	1	1	1	1
Pack batterie (WA3551)	1	1	2	/	1
Chargeur (WA3880)	1	1	1	/	1
Brosse (WA4048)	/	1	1	/	/
Bouteille de savon (WA4036)	/	1	1	/	/
Seau d'eau pliable (WA4015)	/	1	1	/	/
Raccord pour bouchon de bouteille (WA4038)	/	1	1	/	1
Buse Turbo (WA4037)	/	/	/	/	/
Racloir fenêtre avec pulvérisateur d'eau (WA4050)	/	/	/	/	/
Rallonge de lance (WA4012)	/	/	/	/	/
Adaptateur à raccord rapide pivotant (WA4039)	/	/	/	/	/
Brosse de nettoyage rotative (WA4042)	/	/	/	/	/
Brosse à récurer réglable (WA1820 / WA1821)	/	/	/	/	/
Lance courte (WA4013)	/	/	/	/	1

Nous recommandons d'acheter tous les accessoires dans le magasin d'acquisition de l'outil. Pour plus d'informations, se référer à l'emballage des accessoires. Le personnel du magasin est également là pour vous conseiller.

INSTRUCTIONS D'UTILISATION



REMARQUE: Avant d'utiliser cet outil, lire attentivement le mode d'emploi.

Utilisation conforme:

Cet outil est destiné au nettoyage et à l'arrosage.

ASSEMBLAGE ET FONCTIONNEMENT

ACTION	ILLUSTRATION
AVANT UTILISATION	
Installation de la batterie	Voir Fig. A1
Retrait de la batterie	Voir Fig. A2
Contrôle des conditions de la batterie REMARQUE: La Fig. A3 s'applique uniquement à la batterie avec témoin lumineux de batterie.	Voir Fig. A3
Charge de votre batterie Pour plus d'informations, reportez-vous au manuel du chargeur.	Voir Fig. A4
ASSEMBLAGE	
AFixer la lance de pulvérisation sur la buse d'alimentation REMARQUE: lors de la fixation, alignez les deux projections par rapport à la lance avec les rainures de l'injecteur principal, tel qu'indiqué sur les Fig. B.	Voir Fig. B
Fixation de la buse de pulvérisation à jets multiples REMARQUE: lors de la fixation, assurez-vous que la buse est bien installée en la faisant tourner à gauche et à droite, et appuyez dessus en douceur pour vérifier qu'elle est fermement verrouillée.	Voir Fig. C
Fixation du flexible à l'injecteur principal REMARQUE: après fixation du flexible, vérifiez le raccordement en tirant en douceur sur le flexible. Il ne doit pas être extrait.	Voir Fig. D1, D2
Fixation de votre propre lance à eau (en option) 1. Retirez l'adaptateur pour flexibles 2. Fixer votre flexible de jardin à l'aide des raccords appropriés REMARQUE: à l'exception du flexible fourni, vous pouvez également raccorder l'injecteur principal à votre propre lance à eau à l'aide des raccords appropriés. REMARQUE: Vérifiez s'il manque l'écran du filtre avant de resserrer l'adaptateur pour flexibles. Lorsque vous serrez le raccord d'arrosage rapide, serrez-le fermement. Autrement, il est possible que l'eau ne sorte pas.	Voir Fig. E1, E2, E3

FUNCTIONNEMENT


⚠ ATTENTION : La batterie en dotation n'est pas étanche. Pour éviter tout risque de panne de la batterie, protéger la batterie contre toute exposition à l'eau pendant son utilisation. Ranger l'outil et la batterie dans un endroit sec après utilisation.

Mise en marche

REMARQUE: Lors de la première utilisation ou après une longue période de stockage, il est recommandé de fermer le robinet ou d'attendre plusieurs minutes pour vider l'air jusqu'à ce que l'eau s'écoule dans le tuyau et se déverse.

Voir Fig. F1, F2, F3

Sélection du modèle de buse

REMARQUE: choisissez un modèle de buse approprié en fonction du travail à réaliser. Les 0°, 15°, 25° et 40° s'appliquent pour le nettoyage, et le modèle de pulvérisation avec le symbole  est le plus adapté pour l'arrosage.

Voir Fig. G

⚠ AVERTISSEMENT: Ne changez pas de modèle de buse lorsque l'outil est sous tension.

Nettoyage

⚠ AVERTISSEMENT: Ne pas raccorder l'appareil à un système d'alimentation en eau sale, rouillé, boueux ou corrosif (y compris liquides de nettoyage pour fenêtre, aliments d'origine végétale, fertilisants, etc.)

REMARQUE: Pour une maintenance après utilisation d'eau de mer, le produit doit être rincé à l'eau douce.

Voir Fig. H, I

Arrosage

Voir Fig. J

FIXATION DES ACCESSOIRES

Un certain nombre d'accessoires ont été fournis avec ce produit et sont nécessaires en fonction des différentes applications. **N'essayez pas d'utiliser le nettoyeur sans une lance ou un accessoire fixé.**

1. Bouteille de savon (WA4036, vendue séparément)

La bouteille de savon fournit un détergent en mousse pour un nettoyage plus profond de la saleté. Elle est utilisée conjointement à l'injecteur principal ou la rallonge de lance. (Voir Fig. K1, K2)

2. Brosse (WA4048, vendue séparément)

La brosse sert lors du nettoyage de voitures, bateaux, motos, etc. Elle est utilisée conjointement à l'injecteur principal ou la rallonge de lance. (Voir Fig. L1, L2)

3. Seau d'eau pliable (WA4015, vendue séparément)

Le seau d'eau pliable vous permet de vous connecter à l'alimentation en eau lorsque vous êtes loin d'une source

d'eau. Lorsqu'il n'est pas utilisé, il peut être plié et rangé. (Voir Fig. M1, M2)

4. Buse Turbo (WA4037, vendue séparément)

La buse Turbo offre une rotation de l'eau de 360°, nettoyant une zone plus grande que l'embout d'eau de 0°. Utilisation recommandée avec réglage sur haute pression (Voir Fig. N)

5. Racloir fenêtre avec pulvérisateur d'eau (WA4050, vendu séparément)

Le connecteur rapide du racloir pour fenêtre s'insère facilement dans l'outil pour pulvériser de l'eau ou essuyer l'eau sur le verre ou la surface des carreaux. Adapté à la machine de nettoyage HydroShot ou la rallonge de la lance. (Voir Fig. O1, O2, O3, O4)

6. Raccord pour bouchon de bouteille (WA4038, vendue séparément)

Le raccord pour bouchon de bouteille permet de raccorder l'outil directement aux bouteilles de 2 litres disposant d'une ouverture d'environ 1". (REMARQUE : Il est possible que le raccord ne soit pas adapté à toutes les bouteilles de boissons gazeuses et d'eau disponibles). (Voir Fig. P1, P2, P3)

AVERTISSEMENT : Ne pas installer l'accessoire de raccord pour bouchon de bouteille avant son utilisation. Du liquide peut couler des fentes de l'accessoire si une bouteille est installée et que la machine est posée à un endroit.

7. Adaptateur à raccord rapide pivotant (WA4039, vendue séparément)

L'adaptateur à raccord rapide pivotant permet aux accessoires de nettoyage de pivoter jusqu'à 180° dans toutes les directions. Idéal pour nettoyer autour des zones difficiles à atteindre. Adapté au nettoyeur HYDROSHOT™ et à la buse de pulvérisation à jets multiples (Voir Fig. Q1, Q2)

8. Brosse de nettoyage rotative (WA4042, vendue séparément)

L'accessoire brosse de nettoyage rotative s'encastre facilement dans l'outil pour le nettoyage des surfaces délicates et autour des espaces exigus. Adapté au nettoyeur à batterie HYDROSHOT™ avec ou sans lance d'extension installée. (Voir Fig. R)

9. Brosse à récureur réglable (WA1820 / WA1821, vendue séparément)

L'accessoire brosse à récureur alimentée à l'eau s'encastre facilement dans l'outil pour le nettoyage des surfaces dures. Adapté pour le nettoyeur à batterie HYDROSHOT™ avec ou sans lance d'extension installée (voir figures S, T, U). La tête à récureur douce (WA1820) est adaptée aux surfaces délicates et la tête à poils durs (WA1821) est adaptée au nettoyage des surfaces dures (non recommandé pour les voitures).

ENTRETIEN

Retirer la batterie de l'outil avant de procéder à un réglage, une réparation ou un entretien.

Inspectez le produit pour détecter des pièces

endommagées ou usées avant chaque utilisation. Ne l'utilisez pas en cas de présence de pièces endommagées ou usées. Veuillez contacter votre fournisseur ou le fabricant de pièces de rechange.

Entretien du filtre pour flexibles

Retirez le filtre pour flexibles du flexible et extrayez la crépine. Rincez les pièces à l'eau propre avant de les remonter. (Voir Fig. V1, V2)

Entretien des crépines

Retirez l'adaptateur de tuyau pour obtenir la crépine. (Voir Fig. E1, E2) Rincez-le à l'eau claire avant le remontage.

REMARQUE: Lorsque vous resserez l'adaptateur de tuyau, veuillez le serrer fermement. Sinon, il ne peut pas puiser d'eau pour un bon fonctionnement.

 **AVERTISSEMENT: Tout autre entretien doit être effectué par un représentant de service autorisé.**


NETTOYAGE/ RANGEMENT

Avant le stockage, videz complètement toute l'eau de la machine et du flexible.

Nettoyez le boîtier en plastique moulé de la machine à l'aide d'une brosse douce et d'un chiffon propre. N'utilisez pas d'eau, de solvants ou de cires. Doit Toujours Être rangé à Un endroit sec et sécurisé et hors de la portée des enfants. Doit toujours être rangé à un endroit sec et sécurisé et hors de la portée des enfants. Ne posez pas d'autres objets sur la machine.

Rangez la machine et les accessoires dans un endroit où il ne gêle pas.

PROTECTION DE L'ENVIRONNEMENT

 Les déchets d'équipements électriques et électroniques ne doivent pas être déposés avec les ordures ménagères. Ils doivent être collectés pour être recyclés dans des centres spécialisés. Consultez les autorités locales ou votre revendeur pour obtenir des renseignements sur l'organisation de la collecte.

DÉCLARATION DE CONFORMITÉ

Nous,
Positec Germany GmbH
Grüner Weg 10, 50825 Cologne, Germany

Déclarons que ce produit,
Description **Nettoyeur alimenté par batterie**
Modèle **WG620E WG620E.2 WG620E.4 WG620E.9 WG620E.10 (620-649 - désignation de machines, représentatives de nettoyeur alimenté par batterie)**
Fonctions **Nettoyage et arrosage**

Est conforme aux directives suivantes,
2006/42/EC, 2014/30/EU,
2011/65/EU&(EU)2015/863,
2000/14/EC modifiée par 2005/88/EC

2000/14/EC modifiée par 2005/88/EC:
- Procédure d'évaluation de la conformité conformément à **Annex V**
- Niveau de pression acoustique **84.8 dB**
- Niveau d'intensité acoustique **87dB**

et conforme aux norm
EN 60335-1, EN 60335-2-54, EN 62233,
EN ISO 3744, EN 55014-1, EN 55014-2

La personne autorisée à compiler le dossier technique,
Nom Marcel Filz
Adresse Positec Germany GmbH Grüner Weg 10,
50825 Cologne, Germany




2020/11/23
Allen Ding
Ingénieur en chef adjoint, Essais & Certification
Positec Technology (China) Co., Ltd
18, Dongwang Road, Suzhou Industrial
Park, Jiangsu 215123, P. R. China

GUIDE DE DÉPANNAGE

Problèmes	Causes possibles	Solution
La machine s'allume, mais ne puise pas assez d'eau ou la pression est insuffisante.	La buse électrique est trop haute par rapport à la surface de la source d'eau.	Abaisser la machine en dessous de 5 pi/1,5 m
	Le filtre du flexible est obstrué.	Retirer le filtre du flexible et rincer les pièces avec de l'eau propre. (Voir Fig. V1, V2)
	Le tuyau d'arrosage des utilisateurs n'est pas bien raccordé à la machine.	Vérifier et refixer fermement le tuyau d'arrosage. (Voir Fig. E1, E2, E3)
	L'adaptateur pour flexibles se desserre. Il manque l'écran du filtre. (Voir Fig. E2)	Serrer fermement l'adaptateur pour flexibles à l'aide d'une clé.
	La pompe, le flexible ou d'autres pièces sont congelées à cause des températures extérieures.	Contactez l'agent d'entretien Worx pour obtenir un écran de filtre.
	Le flexible s'entortille.	Attendre que la pompe, le flexible ou les autres pièces se décongèlent.
La buse à pulvérisation multiple fuit.	Le modèle de buse ne pulvérise pas correctement.	S'assurer que le symbole du modèle de buse est aligné par rapport au repère sur l'outil.
	Le clou de fixation de la buse à pulvérisation multiple se desserre.	Le serrer à l'aide d'une clé hexagonale.
La pression de sortie augmente soudainement.	La buse à pulvérisation multiple est obstruée.	La remplacer par une nouvelle buse à pulvérisation multiple.
La machine perd de l'eau après avoir été arrêtée.	Il reste de l'eau dans la lance et la pompe après l'arrêt.	Vidanger complètement l'eau avant le stockage.
Le distributeur de savon ne fonctionne pas.	Le flacon de savon est bloqué.	Le nettoyer à l'eau fraîche.
La machine ne démarre pas. La batterie est défectueuse. Remplacez la batterie.	La batterie n'est pas bien fixée.	Réinstaller la batterie.
	La batterie est vide.	La remplacer par une nouvelle batterie ou la recharger.
	La batterie est défectueuse.	Remplacer la batterie.
La pression de la machine n'est pas cohérente.	De l'air supplémentaire peut être aspiré dans la machine.	Vérifier le raccordement de l'adaptateur pour flexibles au flexible.
	La pression est basse.	Pas de mesure nécessaire.
La machine s'arrête automatiquement.	La batterie est vide.	La remplacer par une nouvelle batterie ou la recharger.
	La buse à pulvérisation multiple est bloquée. La protection actuelle est activée.	Retirer la buse à pulvérisation multiple et allumer la machine. Si la machine fonctionne normalement, remettre la buse à pulvérisation multiple.

SICUREZZA DEL PRODOTTO AVVISI GENERALI PER LA SICUREZZA

 **ATTENZIONE! È assolutamente necessario leggere attentamente tutte le istruzioni.** Eventuali errori nell'adempimento delle istruzioni qui di seguito riportate potranno causare scosse elettriche, incendi e/o lesioni gravi.

Conservare tutti gli avvisi e le istruzioni per poterle consultare quando necessario.

- Questo elettrodomestico può essere usato da persone portatrici di handicap fisici, psichici o sensoriali o che non possiedono la dovuta esperienza o conoscenza, sempre che siano supervisionati o opportunamente istruiti sull'uso sicuro e comprendano i pericoli inerenti. I bambini non devono giocare con l'elettrodomestico.
- Il dispositivo deve essere utilizzato unicamente con l'unità di alimentazione fornita in dotazione.

Punti supplementari di

sicurezza

1. Il liquido non deve essere orientato verso apparecchiature contenenti componenti elettrici.
2. Rimuovere e scollegare il pacco batteria dopo l'uso e prima di eseguire qualsiasi intervento di manutenzione da parte dell'utente sull'elettrodomestico.
3. L'apparecchio non deve essere lasciato incustodito quando è collegato all'alimentazione elettrica.
4. L'apparecchio non deve essere usato se è stato fatto cadere, se vi sono segni visibili di danni oppure se perde.
5. Tenere l'apparecchio lontano dalla portata dei bambini quando è alimentato.

Istruzioni per la sicurezza del pacco batteria

- a) Non smontare, aprire o strappare le celle secondarie o il pacco batteria.**
- b) Non cortocircuitare un pacco batteria. Non conservare un pacco batteria disordinatamente in una scatola o un cassetto in cui le celle potrebbero**

cortocircuitarsi tra loro o essere cortocircuitate da altri oggetti metallici.

Quando il pacco batteria non è in uso, tenerlo lontano da altri oggetti metallici come graffette, monete, chiavi, chiodi, viti e altri piccoli oggetti metallici, potrebbe avverarsi un collegamento tra i due terminali. Collegare i terminali della batteria potrebbe causare incendi o ustioni.

c) Non esporre il pacco batteria a calore o fuoco. Evitare di conservarli alla luce diretta del sole.

d) Non sottoporre il pacco batteria a scosse meccaniche.

e) In caso di perdite da una cellula, evitare che il liquido entri in contatto con la pelle o gli occhi. In caso di contatto, lavare l'area interessata con abbondante acqua e consultare un medico.

f) Se si ingerisce una cella o un pacco batteria, consultare immediatamente un medico.

g) Tenere le celle e il pacco batteria puliti e asciutti.

h) Pulire i terminali delle celle e del pacco batteria con un panno pulito e

asciutto, nel caso in cui si sporchino.

i) Il pacco batteria deve essere caricato prima dell'uso. Utilizzare sempre il caricatore corretto e consultare le istruzioni.

j) Non lasciare un pacco batteria in carica se non in uso.

k) Dopo lunghi periodi di conservazione, potrebbe essere necessario caricare e scaricare le celle o il pacco batteria diverse volte per ottenere le massime prestazioni.

l) Il pacco batteria offre prestazioni ottimali se utilizzato a una temperatura ambiente normale ($20^{\circ}\text{C} \pm 5^{\circ}\text{C}$).



m) Quando si smaltiscono i pacchi batteria, tenere i pacchi batteria con diversi sistemi elettrochimici separati gli uni dagli altri.








n) Ricaricare solo con il caricatore specificato da Worx. Non utilizzare caricatori diversi da quelli forniti per l'uso specifico con l'apparecchiatura. Un caricatore adatto ad un tipo di pacco batteria potrebbe

provocare rischi d'incendi quando è usato con un altro pacco batteria.

- o) Non utilizzare un pacco batteria non progettato per l'uso con l'apparecchiatura.**
- p) Tenere il pacco batteria fuori dalla portata dei bambini.**
- q) Conservare i documenti originali del prodotto per riferimenti futuri.**
- r) Rimuovere la batteria dall'apparecchiatura, se non in uso.**
- s) Smaltire adeguatamente.**
- t) Non mischiare batterie di diverse marche, capacità, dimensioni o tipologia nello stesso dispositivo.**
- u) Non rimuovere anzitempo il pacco batterie dalla sua confezione originale.**
- v) Fare attenzione ai segni più (+) e meno (-) sulla batteria e accertarsi di utilizzarla nel modo corretto.**

SIMBOLI

	Avvertenza
	Leggere le istruzioni

	I prodotti elettrici non possono essere gettati tra i rifiuti domestici. L'apparecchio da rottamare deve essere portato al centro di riciclaggio per un corretto trattamento. Controllare con le autorità locali o con il rivenditore per localizzare il centro di riciclaggio più vicino.
 Li-Ion 	Non smaltire le batterie. Portare le batterie scariche presso un punto locale di riciclaggio o di raccolta.
	Non bruciare.
	Non esporre alla pioggia o all'acqua.
	Rimuovere la batteria dalla presa prima di eseguire qualsiasi regolazione, riparazione o intervento di manutenzione.
	Sblocca
	Blocco

ELENCO DEI COMPONENTI

1. INTERRUTTORE DI BLOCCO
2. SERRATURA A SCATTO UNITÀ BATTERIA
3. UNITÀ BATTERIA*
4. LEVETTA DI ACCENSIONE/SPEGNIMENTO
5. ADATTATORE PER TUBO FLESSIBILE
6. PISTOLA A SPRUZZO
7. LANCIA PER LAVAGGIO A PRESSIONE
8. ADATTATORE PER UGELLO

9. UGELLO MULTI-GETTO
10. CHIODO DI FISSAGGIO
11. RACCORDO PER TUBO FLESSIBILE
12. FILTRO PER TUBO FLESSIBILE
13. FERMO PER TUBO FLESSIBILE
14. TUBO FLESSIBILE
15. GALLEGGIANTE
16. SERBATOIO DEL DETERSIVO* (WA4036)
17. SPAZZOLA* (WA4048)
18. SECCHIO PER L'ACQUA RIPIEGABILE* (WA4015)
19. SCHERMO DI PROTEZIONE FILTRO (VEDI FIG. E2)
20. UGELLO TURBO* (WA4037)
21. LAVAVETRI CON SPRUZZINO* (WA4050)
22. CONNETTORE PER BOTTIGLIE * (WA4038)
23. ADATTATORE SNODATO AD ATTACCO RAPIDO * (WA4039)
24. SCOVOLINO ROTANTE * (WA4042)
25. SPAZZOLA REGOLABILE * (WA1820 / WA1821)
26. LANCIA CORTA* (WA4013)

*Gli accessori illustrati o descritti non fanno necessariamente parte del volume di consegna.

DATI TECNICI

Codice **WG620E WG620E.2 WG620E.4 WG620E.9 WG620E.10(620-649 - designazione della macchina, tipo di idropulitrice alimentata a batteria)**

	WG620E WG620E.2 WG620E.4 WG620E.10	WG620E.9
Tensione	20 V Max**	
Max. pressione	2.4Mpa (24bar)	
Pressione nominale	2.2Mpa (22bar)	
Portata d'acqua max.	120L/h	
Pressione max. acqua in ingresso	0.6Mpa (6bar)	
Altezza di aspirazione	Max. 1.5m	
Peso (con la lancia)	1.7kg	1.3kg

**Voltaggio misurato senza carico. Il voltaggio iniziale della batteria raggiunge un massimo di 20 volt. Il voltaggio

nominale è di 18 volt.

INFORMAZIONI SUL RUMORE

Pressione acustica ponderata A L_{PA} : 73.8 dB(A)

Potenza acustica ponderata A L_{WA} : 84.8 dB(A)

K_{PA} 2.35dB(A)

Indossare protezione per le orecchie.



INFORMAZIONI SULLA VIBRAZIONE

Vibrazione ponderata tipica

$a_h = 1.339 \text{ m/s}^2$
 $K = 1.5 \text{ m/s}^2$

Si può usare il valore totale della vibrazione dichiarata per rapportare un attrezzo all'altro e anche come verifica preliminare dell'esposizione.



AVVERTENZA: Il valore delle vibrazioni emesse durante il reale utilizzo dello strumento può differire dal valore dichiarato in base ai modi con cui viene usato lo strumento, ai seguenti esempi e ad altre variabili:

Come viene usato l'apparecchio e i materiali tagliati o forati.

Le condizioni e la buona manutenzione dello strumento. L'uso dell'accessorio corretto per il taglio e la sua affilatura, nonché le sue buone condizioni.

La stretta sull'impugnatura e l'eventuale utilizzo di accessori antivibrazione.

L'adeguatezza dell'utilizzo dell'utensile rispetto a quanto previsto.

Questo strumento potrebbe causare la sindrome da vibrazioni mano-braccio se il suo utilizzo non viene gestito correttamente.



AVVERTENZA: Per essere precisi, una stima del livello di esposizione nelle attuali condizioni di utilizzo dovrebbe anche tenere conto di tutte le parti del ciclo operativo, come le volte in cui lo strumento viene spento e il tempo in cui viene lasciato girare a vuoto senza realmente fare il suo lavoro. Questo potrebbe ridurre significativamente il livello di esposizione sul periodo di lavoro totale.

Un aiuto a minimizzare il proprio rischio di esposizione alle vibrazioni.

Conservare questo strumento sempre in conformità a queste istruzioni e mantenerlo ben lubrificato (dove appropriato).

Se lo strumento deve essere usato regolarmente, investire

in accessori antivibrazione.

Pianificare il programma di lavoro in modo da suddividere i lavori che implicano le maggiori vibrazioni nell'arco di più giorni.

ACCESSORI

	WG620E	WG620E.2	WG620E.4	WG620E.9	WG620E.10
Tubo flessibile (6 m)	1	1	1	1	1
Lancia per lavaggio a pressione	1	1	1	1	1
Ugello multi-getto	1	1	1	1	1
Unità Batteria (WA3551)	1	1	2	/	1
Caricabatteria (WA3880)	1	1	1	/	1
Spazzola (WA4048)	/	1	1	/	/
Serbatoio del detersivo (WA4036)	/	1	1	/	/
Secchio per l'acqua ripiegabile (WA4015)	/	1	1	/	/
Connettore per bottiglie (WA4038)	/	1	1	/	1
Ugello Turbo (WA4037)	/	/	/	/	/
Lavavetri con spruzzino (WA4050)	/	/	/	/	/
Lancia di prolunga (WA4012)	/	/	/	/	/
Adattatore snodato ad attacco rapido (WA4039)	/	/	/	/	/
Scovolino rotante (WA4042)	/	/	/	/	/
Spazzola regolabile (WA1820 / WA1821)	/	/	/	/	/
Lancia corta (WA4013)	/	/	/	/	1

Si raccomanda di acquistare tutti gli accessori nello stesso negozio in cui è stato acquistato l'attrezzo. Fare riferimento alla confezione dell'accessorio per altri dettagli. Il personale del negozio può aiutarvi e consigliarvi.

ISTRUZIONI SUL FUNZIONAMENTO



NOTA: Leggere scrupolosamente il manuale delle istruzioni prima di usare l'attrezzo.

Uso conforme alle norme:

Questo elettrodomestico è concepito per la pulizia e l'annaffiatura.

MONTAGGIO E FUNZIONAMENTO

AZIONE	FIGURA
PRIMA DEL FUNZIONAMENTO	
Inserimento del pacco batteria	Vedi Fig. A1
Rimozione del pacco batteria	Vedi Fig. A2
Controllo dello stato di carica della batteria NOTA: la Fig. A3 si riferisce solamente alla batteria con indicatore luminoso.	Vedi Fig. A3
Caricamento della batteria È possibile trovare maggiori dettagli nel manuale del caricatore	Vedi Fig. A4
MONTAGGIO	
Attacco della lancia per lavaggio a pressione alla pistola a spruzzo NOTA: quando si attacca la lancia corta, allineare le due sporgenze presenti sulla lancia alle scanalature sulla pistola a spruzzo, come illustrato nelle Fig. B	Vedi Fig. B
Attacco dell'ugello multi-getto  NOTA: quando si attacca l'ugello multi-getto, ruotare l'ugello verso sinistra e verso destra per assicurarsi che sia in sede e bloccato saldamente in posizione.	Vedi Fig. C
Attacco del tubo flessibile/pistola a spruzzo NOTA: Dopo avere attaccato il tubo flessibile, verificare il collegamento tirando delicatamente il tubo. Non si dovrebbe togliere.	Vedi Fig. D1, D2

ATTACCO DEGLI ACCESSORI

In dotazione con il prodotto vengono forniti alcuni accessori, necessari per l'uso nelle diverse applicazioni. **Non tentare di utilizzare l'idropulitrice senza la lancia o altri accessori montati.**

1. Serbatoio del detersivo (WA4036, venduto separatamente)

Il serbatoio del detersivo fornisce il detersivo schiumoso per la pulizia profonda dello sporco. Viene usato insieme alla pistola a spruzzo o la lancia di prolunga. (Vedi Fig. K1, K2)

2. Spazzola (WA4048, venduto separatamente)

La spazzola serve per pulire auto, barche, motociclette, ecc. Viene usato insieme alla pistola a spruzzo o la lancia di prolunga (Vedi Fig. L1, L2)

3. Secchio per l'acqua ripiegabile (WA4015, venduto separatamente)

Il secchio per l'acqua ripiegabile consente di avere una fornitura d'acqua lontano da una fonte idrica. Quando non viene usato è possibile ripiegarlo e riporlo. (Vedi Fig. M1, M2)

4. Ugello Turbo (WA4037, venduto separatamente)

L'ugello turbo eroga acqua a 360° permettendo di lavare un'area più ampia rispetto all'ugello fisso nello stesso intervallo di tempo. Si raccomanda l'uso con la pressione regolata al massimo. (Vedere Fig. N)

5. Lavavetri con spruzzino (WA4050, venduto separatamente)

L'accessorio lavavetri, dotato di attacco rapido, si inserisce a scatto nella macchina e consente di spruzzare e asciugare l'acqua da vetri e piastrelle. Adatto per l'idropulitrice HydroShot o per la lancia di prolunga (Vedere Fig. O1, O2, O3, O4)

6. Connettore per bottiglie (WA4038, venduto separatamente)





Il connettore per bottiglie è un accessorio che permette di collegare direttamente la macchina alla maggior parte delle bottiglie da 2 litri con aperture da 1" circa. (NOTA: potrebbe non essere compatibile con tutte le bottiglie d'acqua e bibite) (Vedere Fig P1, P2, P3)

AVVERTENZA: Installare questo accessorio solo quando si è pronti a utilizzarlo. Se si installa una bottiglia e si lascia la macchina appoggiata su una superficie, dalle prese d'aria potrebbe fuoriuscire del liquido.

7. Adattatore snodato ad attacco rapido (WA4039, venduto separatamente)

L'adattatore snodato ad attacco rapido permette di regolare gli accessori di pulizia fino a 180° in qualsiasi direzione. Ideale per pulire in aree difficili da raggiungere. Adatto per l'idropulitrice HYDROSHOT™ e l'ugello multi-getto. (Vedi Fig. Q1, Q2)

8. Scovolino rotante (WA4042, venduto separatamente)

Attacco del tubo di casa (opzionale) 1 Rimuovere l'adattatore per il tubo flessibile 2 Attaccare il tubo di gomma da giardinaggio di casa con raccordi idonei. NOTA: Oltre al tubo flessibile fornito in dotazione, è possibile collegare alla pistola anche il tubo dell'acqua di casa, utilizzando raccordi idonei. NOTA: Controllare se manca lo schermo di protezione del filtro prima di serrare nuovamente l'adattatore per il tubo flessibile. Quando si riavvita l'adattatore rapido per il tubo flessibile, serrarlo bene, altrimenti potrebbe non essere in grado di prelevare l'acqua sufficiente per il corretto funzionamento.	Vedi Fig. E1, E2, E3
FUNZIONAMENTO  AVVERTENZA: la batteria fornita in dotazione non è a tenuta stagna. Per evitare il rischio di guasti alla batteria, proteggerla dall'esposizione all'acqua durante l'uso. Dopo l'uso conservare l'utensile in un luogo asciutto.	
Avviamento NOTA: Al primo utilizzo o dopo un lungo periodo di conservazione, si raccomanda di attaccare il rubinetto o di attendere alcuni minuti per svuotare l'aria fino a quando l'acqua sale lungo il tubo e spruzza all'esterno.	Vedi Fig. F1, F2, F3
Selezione del tipo di getto NOTA: Scegliere il tipo di getto più adatto per il lavoro da svolgere. Le posizioni di spruzzo 0°, 15°, 25° e 40° si utilizzano per lavori di pulizia e spruzzatura, mentre la posizione con il simbolo  è ideale per annaffiare.  AVVERTENZA: Non modificare il tipo di getto mentre l'elettrotensile è acceso.	Vedi Fig. G
Pulizia  AVVERTENZA: non collegare la macchina a una fonte d'acqua torbida, arrugginita fangosa o corrosiva (inclusa acqua contenente liquidi detersivi per i vetri, concimi, fertilizzanti, ecc.) NOTA: per una corretta manutenzione dopo l'uso con acqua di mare, risciacquare il prodotto con acqua dolce.	Vedi Fig. H, I
Annaffiatura	Vedi Fig. J

Lo scovolino rotante si installa facilmente sull'attrezzo per la pulizia di superfici sensibili e spazi ristretti. Adatta per l'idropulitrice HYDROSHOT™ con/senza la lancia d'estensione installata. (Vedi Fig. R)

9. Spazzola regolabile (WA1820 / WA1821, venduto separatamente)

La spazzola rotante si installa facilmente sull'attrezzo per la pulizia delle superfici dure. Adatta per l'idropulitrice HYDROSHOT™ con/senza la lancia d'estensione installata. (Vedere Fig. S, T, U) La testa morbida (WA1820) è adatta alle superfici sensibili (sconsigliato per le automobili), mentre la spazzola a setole (WA1821) dure si presta alla pulizia delle superfici dure (sconsigliato per le automobili).

MANUTENZIONE

Rimuovere il pacco batteria dall'utensile prima di eseguire qualsiasi regolazione, riparazione o manutenzione.

Prima di ciascun utilizzo controllare che il prodotto non sia danneggiato e non presenti parti usurate. Se il prodotto è danneggiato o presenta parti usurate non utilizzarlo. Per i ricambi rivolgersi al proprio fornitore o al produttore.

Manutenzione del tubo flessibile

Rimuovere il filtro per il tubo flessibile ed estrarre la retina interna. Risciacquare le parti con acqua pulita prima di rimontare il filtro. (Vedi Fig. V1, V2)

Manutenzione dello schermo filtro

Rimuovere l'adattatore del tubo per ottenere lo schermo filtro. (Vedi Fig. E1, E2) Risciacquarlo con acqua pulita prima di rimontare.

NOTA: Quando riserrare l'adattatore del tubo, si prega di serrare sicuramente. Altrimenti, potrebbe non attingere acqua per il corretto funzionamento.


 **AVVERTENZA: Qualsiasi altro servizio deve essere eseguito da un rappresentante dell'assistenza autorizzato.**

PULIZIA/ STOCCAGGIO

Prima dello stoccaggio scaricare tutta l'acqua dalla macchina e dal tubo flessibile.

Pulire la scocca in plastica stampata della macchina con una spazzola morbida e un panno pulito. Non usare acqua, solventi o prodotti lucidanti. Conservare sempre il in un luogo sicuro e asciutto, fuori dalla portata dei bambini. Non accatastare sopra di essa altri oggetti. Riporre la macchina e i rispettivi accessori in un luogo riparato dal gelo.

TUTELA AMBIENTALE

 I prodotti elettrici non possono essere gettati tra i rifiuti domestici. L'apparecchio da rottamare deve essere portato al centro di riciclaggio per un corretto trattamento. Controllare con le autorità locali o con il rivenditore per localizzare il centro di riciclaggio più vicino.

DICHIARAZIONE DI CONFORMITÀ

Noi,
Positec Germany GmbH
Grüner Weg 10, 50825 Cologne, Germany

Dichiariamo che l'apparecchio,
Descrizione **Idropulitrice alimentata a batteria**
Codice **WG620E WG620E.2 WG620E.4 WG620E.9 WG620E.10 (620-649 - designazione della macchina, tipo di idropulitrice alimentata a batteria)**
Funzioni **Pulizia e annaffiatura**

È conforme alle seguenti direttive,
2006/42/EC, 2014/30/EU,
2011/65/EU&(EU)2015/863,
2000/14/EC modificata dalla 2005/88/EC

2000/14/EC modificata dalla 2005/88/EC:
- Procedura di conformità come da **Annex V**
- Potenza acustica pesata **84.8 dB**
- Massima potenza di rumore garantita **87dB**

conforme a,
EN 60335-1, EN 60335-2-54, EN 62233,
EN ISO 3744, EN 55014-1, EN 55014-2

Il responsabile autorizzato alla compilazione della documentazione tecnica,
Nome Marcel Filz
Indirizzo Positec Germany GmbH Grüner Weg 10, 50825 Cologne, Germany



2020/11/23
Allen Ding
Vice capo ingegnere, testing e certificazione
Positec Technology (China) Co., Ltd
18, Dongwang Road, Suzhou Industrial
Park, Jiangsu 215123, P. R. China

RISOLUZIONE DEI PROBLEMI

Problema	Possibile Causa	Soluzione
La macchina si accende, ma non aspira l'acqua oppure la pressione è insufficiente.	La pistola a spruzzo è troppo in alto rispetto alla fonte idrica.	Abbassare la macchina al di sotto di 1,5 m (5 ft).
	Il filtro per il tubo flessibile è ostruito.	Estrarre il filtro e risciacquare le rispettive parti con acqua pulita. (Vedi Fig. V1, V2)
	Il tubo di gomma da giardinaggio non è collegato correttamente alla macchina.	Verificare e riattaccare saldamente il tubo da giardinaggio. (Vedi Fig. E1, E2, E3)
	L'adattatore per il tubo flessibile perde.	Serrare saldamente l'adattatore per il tubo flessibile con una chiave.
	Manca lo schermo di protezione del filtro. (Vedi Fig. E2)	Rivolgersi a un tecnico dell'assistenza Worx per procurarsi uno schermo di protezione del filtro.
	La pompa, il tubo flessibile o altre parti sono congelati per via delle basse temperature esterne.	Attendere che la pompa, il tubo flessibile o le altre parti si scongelino.
L'ugello multi-getto perde.	Il tubo flessibile si attorciglia.	Raddrizzare il tubo flessibile.
	Il tipo di getto non spruzza l'acqua correttamente.	Assicurarsi che il simbolo del tipo di getto sia allineato con il segno sull'elettrotensile.
L'ugello multi-getto perde.	Il chiodo di fissaggio dell'ugello multi-getto perde.	Serrarlo con una chiave esagonale.
	La pressione dell'acqua in uscita aumenta improvvisamente.	Sostituirlo con un ugello multi-getto nuovo.
Dopo l'arresto della macchina, l'acqua cola fuori.	L'ugello multi-getto è ostruito.	Sostituirlo con un ugello multi-getto nuovo.
Dopo l'arresto della macchina, l'acqua cola fuori.	C'è ancora acqua all'interno della lancia e della pompa.	Scaricare tutta l'acqua prima di riporre la macchina.
L'accessorio di erogazione del detersivo non riesce a spruzzarlo fuori.	Il serbatoio del detersivo è ostruito.	Lavarlo con acqua fresca.
La macchina non si avvia.	Il pacco batteria non è collegato correttamente.	Reinstallare il pacco batteria.
	Il pacco batteria è esaurito.	Sostituirlo con un pacco batteria nuovo oppure ricaricarlo.
	La batteria è difettosa.	Sostituire la batteria.
La pressione della macchina non è costante.	Potrebbe essere aspirata troppa aria nella macchina.	Verificare il collegamento tra l'adattatore per il tubo flessibile e il tubo stesso.
	La macchina è stata regolata alla modalità a bassa pressione.	Non è necessario intervenire.
La macchina si ferma automaticamente.	Il pacco batteria è esaurito.	Sostituirlo con un pacco batteria nuovo oppure ricaricarlo.
	L'ugello multi-getto è ostruito. Il dispositivo di protezione dalle sovratensioni è attivato.	Rimuovere l'ugello multi-getto e accendere la macchina. Se la macchina funziona normalmente, sostituirlo con un ugello multi-getto nuovo.

SEGURIDAD DEL PRODUCTO ADVERTENCIAS DE SEGURIDAD GENERALES

 **¡Advertencia! Leer todas las instrucciones.**

Si no se respetan las instrucciones, existe un riesgo de descargas eléctricas, de incendio y/o de graves heridas.

Lea detenidamente las instrucciones para garantizar el uso seguro de la máquina.

- Este aparato puede ser utilizado por personas que tengan alguna limitación física, sensorial o intelectual, o que no tengan la experiencia y los conocimientos suficientes, siempre y cuando estén bajo vigilancia, hayan recibido una instrucción adecuada en el uso seguro del aparato y comprendan los peligros que conlleva. Los niños no deben jugar con el aparato.
- El aparato únicamente debe utilizarse con la fuente de alimentación suministrada.

Las normas de seguridad adicionales

1. No se debe dirigir líquido hacia equipos que contengan componentes eléctricos.

2. Extraiga o desconecte la batería cuando termine de utilizar el aparato y antes de empezar cualquier trabajo de mantenimiento en el mismo.
3. El aparato no debe dejarse sin vigilancia cuando está conectado a la red de suministro.
4. El aparato no debe utilizarse si se ha caído, si presenta signos visibles de daños o si tiene pérdidas.
5. Mantenga el aparato alejado del alcance de los niños cuando esté enchufado.

Advertencias de seguridad para la batería

- a) **No desmonte, abra o destruya las pilas o las baterías recargables.**
- b) **No provoque un cortocircuito en la batería. No almacene las baterías de forma descuidada en una caja o cajón donde podría provocar un cortocircuito entre ellas o mediante otros objetos metálicos.**

Cuando la batería no esté siendo utilizada, manténgala alejada de objetos metálicos, como clips de papel, monedas, llaves, clavos, tornillos u otros objetos metálicos pequeños, que pueden posibilitar la

conexión de un borne con otro. Al provocar un cortocircuito con los bornes de la batería se pueden sufrir quemaduras o generar un incendio.

- c) No exponga las baterías al calor o al fuego. No las guarde expuestas directamente al sol.**
- d) No exponga las baterías a impactos mecánicos.**
- e) En caso de que la batería tenga fugas de líquido, no permita que el líquido entre en contacto con la piel o los ojos. Si se produce el contacto, lave la zona afectada con grandes cantidades de agua y acuda a un médico.**
- f) Acuda a un médico inmediatamente si se ha ingerido una pila o una batería.**
- g) Mantenga las baterías limpias y secas.**
- h) Limpie los bornes de la batería con un paño limpio si se ensucian.**
- i) Cargue la batería antes de utilizarla. Consulte siempre estas instrucciones y aplique el procedimiento de carga adecuado.**
- j) No deje la batería cargándose durante prolongados períodos de tiempo cuando no se utilice.**

k) Después de prolongados períodos de almacenamiento, puede que sea necesario cargar y descargar la batería varias veces para obtener el máximo rendimiento.

l) Las baterías recargables proporcionan mejor rendimiento cuando se utilizan a temperatura ambiente normal (20°C ± 5°C).

m) Al eliminar las baterías, mantenga las baterías de distinto sistema electroquímico separadas unas de otras.

n) Recargue solo con el cargador indicado por Worx. No utilice ningún otro cargador que no sea el específicamente proporcionado para el uso con este equipo. El cargador adecuado para un tipo de baterías puede provocar un incendio si se utiliza con otro tipo de baterías.






o) No utilice ninguna batería distinta a la diseñada para utilizarse con el aparato.





p) Mantenga la batería fuera del alcance de los niños.

q) Conserve la documentación original del producto por si tuviera que consultarla en otro momento.

- r) **Extraiga la batería del aparato cuando no lo utilice.**
- s) **Deshágase del producto correctamente.**
- t) **No se deben mezclar pilas de diferentes fabricantes, capacidad, tamaño o tipo en un mismo dispositivo.**
- u) **Las pilas no se deben quitar del embalaje original hasta que se vayan a utilizar.**
- v) **Se deben observar y respetar las marcas positiva (+) y negativa (-) de la pila.**

SÍMBOLOS

	Advertencia
	Lea el manual
	Los residuos de aparatos eléctricos y electrónicos no deben depositarse en la basura doméstica. Se deben reciclar en las instalaciones especializadas. Consulte a las autoridades locales o el establecimiento para saber cómo reciclar estos productos.
	No tirar las baterías. Las baterías agotadas deben llevarse al punto local de recogida o reciclaje de residuos.
	No quemar.

	No exponer a la lluvia o al agua.
	Retire el enchufe de la toma de corriente antes de efectuar cualquier ajuste, reparación o mantenimiento.
	Desbloquear
	Bloquear

LISTA DE COMPONENTES

1. INTERRUPTOR DE DESBLOQUEO
2. BLOQUEO DE LA BATERÍA
3. BATERÍA *
4. PALANCA DEL INTERRUPTOR DE ENCENDIDO Y APAGADO
5. ADAPTADOR PARA MANGUERA
6. BOQUILLA DE PRESIÓN
7. LANZA DE LIMPIEZA A PRESIÓN
8. ADAPTADOR PARA BOQUILLA
9. BOQUILLA MULTIFUNCIÓN
10. PASADOR DE FIJACIÓN
11. CONECTOR PARA MANGUERA
12. FILTRO DE MANGUERA
13. ABRAZADERA PARA MANGUERA
14. MANGUERA
15. FLOTADOR
16. BOTELLA DE DETERGENTE* (WA4036)
17. CEPILLO* (WA4048)
18. CUBO DE AGUA PLEGABLE* (WA4015)
19. PANTALLA FILTRANTE (VER FIG. E2)
20. BOQUILLA TURBO* (WA4037)

21. **ESPÁTULA LIMPIACRISTALES CON EYECTOR DE AGUA* (WA4050)**
22. **CONECTOR DE TAPÓN DE BOTELLA* (WA4038)**
23. **ADAPTADOR RÁPIDO PIVOTANTE * (WA4039)**
24. **CEPILLO DE LIMPIEZA GIRATORIO * (WA4042)**
25. **CEPILLO ELÉCTRICO AJUSTABLE * (WA1820 / WA1821)**
26. **LANZA CORTA* (WA4013)**

***Los accesorios ilustrados o descritos pueden no corresponder al material suministrado de serie con el aparato.**

CARACTERÍSTICAS TÉCNICAS

Modelo **WG620E WG620E.2 WG620E.4 WG620E.9 WG620E.10 (620-649 - denominación de la máquina, representa un limpiador a batería)**

	WG620E WG620E.2 WG620E.4 WG620E.10	WG620E.9
Tensión nominal	20 V $\overline{\text{---}}$ Max**	
Max. presión	2.4Mpa (24bar)	
Presión nominal	2.2Mpa (22bar)	
Caudal de agua máx.	120L/h	
Presión máxima de entrada del agua	0.6Mpa (6bar)	
Altura de succión	Max. 1.5m	
Peso (con lanza)	1.7kg	1.3kg

**Voltaje medido sin carga. El voltaje inicial máximo de la batería es de 20 voltios. El voltaje nominal es de 18 voltios.

INFORMACIÓN SOBRE EL RUIDO

Nivel de presión acústica de ponderación L_{PA} : 73.8 dB(A)

Nivel de potencia acústica de ponderación L_{WA} : 84.8 dB(A)

K_{PA} 2.35dB(A)

Utilice protección auditiva.



INFORMACIÓN SOBRE LAS VIBRACIONES

Frecuencia de vibración típica	$a_{H1} = 1.339 \text{ m/s}^2$ $K = 1.5 \text{ m/s}^2$
--------------------------------	---

El valor total de vibración declarado se puede utilizar para comparar una herramienta con otra y también en una evaluación preliminar de exposición.

⚠ ADVERTENCIA: El valor de emisión de vibraciones durante el uso de la herramienta podría ser distinto al valor declarado dependiendo de la forma en que se use la herramienta según las condiciones siguientes, y otras variaciones sobre el uso de la herramienta:

El modo de uso de la herramienta y los materiales que se cortan o perforan.

El estado general y las condiciones de mantenimiento de la herramienta

La utilización del accesorio correcto para la herramienta y su correcto mantenimiento afilado y en buenas condiciones.

La firme sujeción de las empuñaduras y la utilización de accesorios antivibración.

El uso de la herramienta conforme a su diseño y estas instrucciones.

Esta herramienta podría causar síndrome de vibración mano-brazo si no se utiliza correctamente.

⚠ ADVERTENCIA: Para conseguir una mayor precisión, debe tenerse en cuenta una estimación del nivel de exposición en condiciones reales de todas las partes del ciclo de uso, como los tiempos durante los que la herramienta está apagada o el tiempo que está funcionando al ralentí sin realizar ningún trabajo. Esto podría reducir notablemente el nivel de exposición durante el periodo completo de trabajo.

Cómo minimizar el riesgo de exposición a la vibración. Mantenga esta herramienta de acuerdo con estas instrucciones y bien lubricada (si es necesario).

Si la herramienta se utiliza regularmente, invierta en accesorios antivibración.

Planifique su programa de trabajo para distribuir el uso de la herramienta a lo largo de varios días.

ACCESORIOS

	WG620E	WG620E.2	WG620E.4	WG620E.9	WG620E.10
Manguera (6 m)	1	1	1	1	1
Lanza de limpieza a presión	1	1	1	1	1
Boquilla multifunción	1	1	1	1	1

Batería (WA3551)	1	1	2	/	1
Cargador (WA3880)	1	1	1	/	1
Cepillo (WA4048)	/	1	1	/	/
Botella de detergente (WA4036)	/	1	1	/	/
Cubo de agua plegable (WA4015)	/	1	1	/	/
Conector de tapón de botella (WA4038)	/	1	1	/	1
Boquilla turbo (WA4037)	/	/	/	/	/
Espátula limpiacristales con eyector de agua (WA4050)	/	/	/	/	/
Lanza alargadora (WA4012)	/	/	/	/	/
Adaptador rápido pivotante (WA4039)	/	/	/	/	/
Cepillo de limpieza giratorio (WA4042)	/	/	/	/	/
Cepillo eléctrico ajustable (WA1820 / WA1821)	/	/	/	/	/
Lanza corta (WA4013)	/	/	/	/	1

Recomendamos que adquiera todos sus accesorios en el mismo establecimiento donde compró la herramienta. Consulte los estuches de los accesorios para más detalles. El personal del establecimiento también puede ayudar y aconsejar.

INSTRUCCIONES DE FUNCIONAMIENTO





NOTA: Antes de usar la herramienta lea el manual de instrucciones detenidamente.

Utilización reglamentaria

Esta herramienta está diseñada para limpiar y para regar.

MONTAJE Y FUNCIONAMIENTO

ACCIÓN	FIGURA
ANTES DE UTILIZAR	
Instalación de la batería	Ver Fig. A1

Extracción de la batería	Ver Fig. A2
Comprobación del estado de la batería NOTA: La Fig. A3 solo es aplicable a la batería con indicador de la batería.	Ver Fig. A3
Carga de la batería Encontrará más información en el manual del cargador	Ver Fig. A4, A5
MONTAJE	
Instalación de la lanza de limpieza a presión en la boquilla de presión NOTA: Cuando instale la lanza, alinee las dos protuberancias de la lanza con las ranuras de la boquilla de presión, tal como puede verse en la figura B.	Ver Fig. B
Instalación de la boquilla multifunción  NOTA: Cuando instale la boquilla, gírela hacia la izquierda y hacia la derecha para verificar que esté colocada correctamente, a la vez que tira suavemente de ella para asegurarse de que esté bloqueada firmemente en su posición.	Ver Fig. C
Instalación de la manguera en la boquilla de presión NOTA: Después de instalar la manguera, tire suavemente de ella para comprobar la conexión. No debe soltarse.	Ver Fig. D1, D2
Instalación de una manguera de agua propia (opcional) 1. Extraiga el adaptador para manguera 2. Instale una manguera de jardín utilizando los conectores adecuados NOTA: Además de la manguera que se incluye con el aparato, la boquilla de presión también se puede conectar a una manguera de agua normal utilizando conectores adecuados. NOTA: Antes de volver a apretar el adaptador para manguera, compruebe si falta la pantalla filtrante. Cuando vuelva a fijar el adaptador rápido para manguera, asegúrese de que quede apretado firmemente. De lo contrario, podría no succionar agua y no funcionaría correctamente.	Ver Fig. E1, E2, E3
FUNCIONAMIENTO  ADVERTENCIA: La batería suministrada no es resistente al agua. Para evitar problemas en la batería, debe mantenerse protegida del agua durante el funcionamiento. Cuando termine de utilizarlas, guarde la batería y la herramienta en un lugar seco.	
Puesta en marcha NOTA: En el primer uso o tras un almacenamiento de larga duración, se recomienda conectar la toma o esperar varios minutos para vaciar el aire hasta que vaya agua por la manguera y se rocíe.	Ver Fig. F1, F2, F3

<p>Selección del chorro de agua con la boquilla NOTA: Seleccione el chorro de agua más adecuado para el trabajo que se va a llevar a cabo los chorros de 0°, 15°, 25° y 40° pueden utilizarse para limpiar, mientras que el chorro con el símbolo  es el más adecuado para regar.</p> <p> ADVERTENCIA: No intente cambiar el tipo de chorro de agua con el aparato en marcha.</p>	Ver Fig. G
<p>Limpieza  ADVERTENCIA: No conecte la máquina a un suministro de agua que contenga suciedad, óxido o barro, o que sea corrosivo (incluyendo líquidos para limpiar cristales, abono para plantas, fertilizantes, etc.)</p> <p>NOTA: Para realizar un mantenimiento adecuado después de utilizar agua de mar, el producto debe lavarse con agua fresca.</p>	Ver Fig. H, I
Riego	Ver Fig. J

INSTALACIÓN DE LOS ACCESORIOS

Junto con el producto se incluyen varios accesorios que son necesarios para poder llevar a cabo diferentes tareas.

No intente utilizar el aparato para limpiar sin que haya instalada una lanza u otro accesorio adecuado.

1. Botella de detergente (WA4036, se vende por separado)

La botella de detergente proporciona un suministro de detergente para facilitar la limpieza de determinados tipos de suciedad. Debe utilizarse conjuntamente con la boquilla de presión o la lanza alargadora. (Ver Fig. K1, K2)

2. Cepillo (WA4048, se vende por separado)

El cepillo se utiliza para limpiar coches, embarcaciones, motocicletas, etc. Debe utilizarse conjuntamente con la boquilla de presión o la lanza alargadora. (Ver Fig. L1, L2)

3. Cubo de agua plegable (WA4015, se vende por separado)

El cubo de agua plegable permite disponer de un suministro de agua portátil lejos de un suministro de agua fijo. Cuando no se utiliza, puede plegarse para guardarlo cómodamente. (Ver Fig. M1, M2)

4. Boquilla turbo (WA4037, se vende por separado)

La boquilla turbo suministra un chorro de agua giratorio en 360°, que limpia una superficie mayor que un chorro de agua de 0° en el mismo periodo de tiempo. Se recomienda utilizarla con el ajuste de alta presión (véase la Figura N).

5. Espátula limpiacristales con eyector de agua (WA4050, se vende por separado)

La conexión rápida de la espátula limpiacristales se acopla rápidamente a la herramienta para rociar agua o

limpiarla de superficies de cristal o de azulejos. Es compatible con el limpiador a presión HydroShot o la lanza de extensión (véanse las Figuras O1, O2, O3 y O4).

6. Conector de tapón de botella (WA4038, se vende por separado)

El conector de tapón de botella permite conectar la herramienta directamente a la mayoría de las botellas de 2 litros con aberturas de aproximadamente 1". (NOTA: Es posible que no se pueden conectar todas las botellas de agua natural y con gas) (véanse las fig. P1, P2 y P3)

ADVERTENCIA: No instale el conector de tapón de botella hasta que vaya a utilizarlo. Si se conecta una botella con la máquina tumbada sobre una superficie, se producirían fugas de líquido por los puntos de ventilación del accesorio.

7. Adaptador rápido pivotante (WA4039, se vende por separado)

El adaptador rápido pivotante permite girar las boquillas de limpieza a presión 180° en cualquier dirección. Resulta ideal para limpiar los espacios de difícil acceso. Es compatible con HYDROSHOT™ y boquilla multifunción. (Ver Fig. Q1, Q2)

8. Cepillo de limpieza giratorio (WA4042, se vende por separado)

El cepillo de limpieza giratorio se puede instalar fácilmente en la herramienta para limpiar superficies sensibles y espacios reducidos. Es compatible con el limpiador a presión HYDROSHOT™ con y sin la lanza de extensión instalada. (Ver Fig. R)

9. Cepillo eléctrico ajustable (WA1820 / WA1821, se vende por separado)

El cepillo eléctrico de agua ajustable se puede instalar fácilmente en la herramienta para limpiar superficies duras. Es compatible con el limpiador a presión HYDROSHOT™ con y sin la lanza de extensión instalada. (Véase la Fig. S, T, U). El cabezal de cepillo blando (WA1820) es adecuado para las superficies sensibles (se desaconseja utilizarlo para limpiar vehículos), mientras que el cepillo de cerdas (WA1821) duras es más adecuado para la limpieza de superficies duras (se desaconseja utilizarlo para limpiar vehículos).

MANTENIMIENTO

Antes de empezar cualquier tarea de ajuste, mantenimiento o reparación, debe extraerse la batería de la herramienta.

Inspeccione si el aparato tiene alguna pieza deteriorada o desgastada antes de cada uso. No utilice el aparato si tiene alguna pieza deteriorada o desgastada. Póngase en contacto con su distribuidor o con el fabricante para obtener piezas de repuesto adecuadas.


Mantenimiento del filtro de la manguera

Extraiga el filtro de la manguera y retire el colador. Lave todas las piezas con agua limpia y luego vuélvalas a montar. (Ver Fig. V1, V2)

Mantenimiento del filtro de la pantalla

Quitar el adaptador de la manguera para llegar al filtro de la pantalla. (Ver Fig. E1, E2) Riéguelo con agua limpia antes de volver a ensamblarse.

NOTA: Cuando se vuelva a apretar el adaptador de la manguera, por favor apriételo con seguridad, sino, podría no conducir agua de forma propensa.

 **ADVERTENCIA: Cualquier otro servicio debe de ser realizado por las representaciones de las entidades autorizadas.**


LIMPIEZA/ALMACENAMIENTO

Antes de guardar el aparato, vacíe completamente el agua del aparato y de la manguera.

Limpie la carcasa de plástico del aparato con un cepillo suave y un paño limpio. No utilice agua, disolventes ni productos de pulido. Almacene la herramienta en un lugar interior, fresco y seco, alejado del alcance de niños. No coloque otros objetos encima de la máquina.

Guarde el aparato y los accesorios en un lugar protegido de las heladas.

PROTECCIÓN AMBIENTAL

 Los residuos de equipamientos eléctricos y electrónicos no deben depositarse con las basuras domésticas. Se recogen para reciclarse en centros especializados. Consulte las autoridades locales o su distribuidor para obtener información sobre la organización de la recogida.

DECLARACIÓN DE CONFORMIDAD

Los que reciben,
Positec Germany GmbH
Grüner Weg 10, 50825 Cologne, Germany

Declaran que el producto,
Descripción **Limpiador a batería**
Modelo **WG620E WG620E.2 WG620E.4 WG620E.9**
WG620E.10 (620-649 – denominación de la máquina,
representa un limpiador a batería)
Funciones **Limpieza y riego**

Cumple con las siguientes Directivas,
2006/42/EC, 2014/30/EU,
2011/65/EU&(EU)2015/863,
2000/14/EC modificada por 2005/88/EC

2000/14/EC modificada por 2005/88/EC:
- Procedimiento de evaluación de la conformidad de acuerdo con **Annex V**
- Nivel de presión acústica **84,8 dB**
- Nivel de intensidad acústica **87dB**

Normativas conformes a
EN 60335-1, EN 60335-2-54, EN 62233,
EN ISO 3744, EN 55014-1, EN 55014-2

La persona autorizada para componer el archivo técnico,
Firma Marcel Filz
Dirección Positec Germany GmbH Grüner Weg 10,
50825 Cologne, Germany

49



2020/11/23
Allen Ding
Ingeniero Jefe Adjunto. Pruebas y Certificación.
Positec Technology (China) Co., Ltd
18, Dongwang Road, Suzhou Industrial
Park, Jiangsu 215123, P. R. China

SOLUCIÓN DE PROBLEMAS

Problemas	Posibles causas	Acción
El aparato se enciende, pero no succiona agua o la presión no es suficiente.	La boquilla de presión está demasiado por encima de la superficie del agua.	Baje el aparato por debajo de 5 pies/1,5 m.
	El filtro de la manguera está obstruido.	Extraiga el filtro de la manguera y lave las piezas con agua limpia. (Ver Fig. V1, V2)
	La manguera de jardín del usuario no está bien conectada al aparato.	Revise la manguera de jardín y vuélvala a instalar firmemente. (Ver Fig. E1, E2, E3)
	El adaptador para manguera se suelta. Falta la pantalla filtrante. (Ver Fig. E2)	Apriete firmemente el adaptador para manguera con una llave. Póngase en contacto con un agente de servicio de Worx para obtener una pantalla filtrante.
	La bomba, la manguera u otra pieza se han congelado debido a la temperatura exterior.	Espere a que la bomba, la manguera o la otra pieza se descongelen.
	La manguera está doblada.	Enderece la manguera.
Fugas en la boquilla multifunción.	El patrón de rociado de la boquilla no sale correctamente.	Compruebe que el símbolo del patrón de la boquilla esté alineado con la marca de la herramienta.
	El pasador de fijación de la boquilla multifunción se suelta.	Apriételo con una llave hexagonal.
La presión de salida aumenta bruscamente.	La boquilla multifunción está obstruida.	Sustitúyala por una boquilla multifunción nueva.
Sale agua del aparato después de pararlo.	Quedan restos de agua en la lanza y la bomba después de parar el aparato.	Vacíe completamente los restos de agua antes de guardar el aparato.
No sale detergente por el accesorio de detergente.	Obstrucción en la botella de detergente.	Límpielo con agua limpia.
El aparato no se pone en marcha.	La batería no está bien montada.	Vuelva a instalar la batería.
	La batería está descargada.	Sustituya o recargue la batería.
	La batería está defectuosa.	Cambie la batería.
La presión del aparato no es constante.	Es posible que el aparato aspire aire adicional.	Compruebe la conexión entre el adaptador para manguera y la manguera.
	Está seleccionado un ajuste de baja presión.	No es necesario hacer nada.
El aparato se detiene automáticamente.	La batería está descargada.	Sustituya o recargue la batería.
	La boquilla multifunción está obstruida. Se ha activado la protección eléctrica.	Extraiga la boquilla multifunción y encienda el aparato. Si el aparato funciona con normalidad, instale una boquilla multifunción nueva.

PRODUCTVEILIGHEID

ALGEMENE

VEILIGHEIDSWAARSCHUWINGEN

WAARSCHUWING! Lees alle instructies

zorgvuldig door. Indien u zich niet aan alle onderstaande instructies houdt, kan dat leiden tot een elektrische schok, brand en/of ernstig letsel.

Bewaar alle veiligheidsvoorschriften en alle instructies voor toekomstig gebruik.

- Dit apparaat kan worden gebruikt door personen met een fysieke, motorische of geestelijke beperking of gebrek aan ervaring en kennis, mist ze onder toezicht staan en zijn geïnstrueerd m.b.t. het veilig gebruik van het apparaat en de mogelijke gevaren hiervan. Kinderen mogen niet met het apparaat spelen.
- Het apparaat mag slechts gebruikt worden met de netadapter die bij het apparaat geleverd wordt.

Aanvullende veiligheidswaarschuwingen

1. De vloeistof mag niet worden gericht op

- apparaat die elektrische componenten bevat
2. Het apparaat mag slechts gebruikt worden met de netadapter die bij het apparaat geleverd wordt.
3. Het apparaat mag niet onbeheerd worden achtergelaten terwijl de stekker in het stopcontact zit.
4. Gebruik het apparaat niet als het is gevallen, als er zichtbare tekenen van beschadiging zijn of als het lekt.
5. Houd het apparaat buiten bereik van kinderen wanneer het is ingeschakeld.

Veiligheidsinstructies voor het accupack

a) Batterijcellen en accupacks mogen niet gedemonteerd, geopend of vernietigd worden.

b) Sluit accupacks niet kort. Bewaar accupacks niet willekeurig in een doos of lade waar ze elkaar kunnen kortsluiten of door geleidende voorwerpen kortgesloten kunnen worden. Houd het accupack op een afstand van andere metalen voorwerpen als paperclips, muntstukken,

sleutels, nagels, schroeven en andere kleine metalen voorwerpen die de contacten van de accupack kunnen verbinden. Kortgesloten contacten van accupacks kunnen brandwonden of brand veroorzaken.







- c) Stel accupacks niet bloot aan warmte of vuur. Vermijd opslag in direct zonlicht.**
- d) Stel accupacks niet bloot aan mechanische schokken.**
- e) Als een accu lekt dient men voorzichtig te zijn dat de vloeistof niet in contact komt met de huid of de ogen. Als dat toch gebeurt spoelt men de huid onder stromend water en raadpleegt men een arts.**
- f) Raadpleeg meteen een arts wanneer een batterij of accupack is ingeslikt .**
- g) Houd batterijcellen en accupacks schoon en droog.**
- h) Veeg de aansluitingen van het accupack schoon met een droge doek als ze vuil zijn geworden.**
- i) Accupacks moeten voor gebruik worden opgeladen. Lees de gebruiksaanwijzing voor de juiste laadinstructies.**
- j) Laat accupacks niet langdurig opladen als ze niet worden gebruikt.**

- k) Na een lange opslagperiode kan het nodig zijn het accupack enkele keren op te laden en te ontladen voor een optimale prestatie.**
- l) Accupacks presteren het best bij normale kamertemperatuur (20°C ± 5°C).**
- m) Wanneer u accupacks wegwerpt, dient u accupacks van verschillende elektrochemische systemen van elkaar afgezonderd te houden.**
- n) Laad alleen op met een lader met de technische gegevens van Worx. Gebruik geen andere lader dan de lader die specifiek voor dat doel met de apparatuur is meegeleverd.** Een lader voor één type accupack geschikt is kan een brandgevaar inhouden wanneer gebruikt met een ander type.
- o) Gebruikt geen accupack dat niet bedoeld is voor gebruik met deze apparatuur.**
- p) Houd accupacks buiten het bereik van kinderen.**
- q) Bewaar de oorspronkelijke instructies van het product voor latere gebruik.**
- r) Verwijder het batterijpakket uit de apparatuur als het niet in**

gebruik is.

- s) **Volg de juiste procedure voor afvalverwijdering na afdanken van dit apparaat.**
- t) **Gebruik geen cellen van verschillende fabrikanten, capaciteit, afmetingen of typen binnen een apparaat.**
- u) **Verwijder het accupack niet uit de originele verpakking, tot dit nodig is voor gebruik.**
- v) **Let op de plus (+) en min (-) markeringen op de accu en zorg voor correct gebruik.**

SYMBOLLEN

	Waarschuwing
	Lees de gebruiksaanwijzing
	Afgedankte elektrische producten mogen niet bij het normale huisafval terechtkomen. Breng deze producten waar mogelijk naar een recyclecentrum bij u in de buurt. Vraag de verkoper of de gemeente informatie en advies over het recyclen van elektrische apparatuur.
 Li-Ion 	Batterijen niet weggooien. Breng lege accu's naar een recyclecentrum of inzamelpunt voor chemisch afval bij u in de buurt.
	Niet verbranden.

	Niet blootstellen aan regen of water.
	Verwijder de batterij uit de houder voor alle instel-, service- of onderhoudswerkzaamheden.
	Ontgrendelen
	Vergrendelen

ONDERDELENLIJST

1. **BLOKKEERKNOP**
2. **ONTGRENDELPAL ACCU**
3. **ACCUPACK ***
4. **AAN-/UIT-SCHAKELHENDEL**
5. **SLANGADAPTER**
6. **HOGEDRUKREINIGER**
7. **DRUKREINIGINGSLANS**
8. **MONDSTUKADAPTER**
9. **MEERVOUDIG SPIJTMONDSTUK**
10. **BEVESTIGING**
11. **SLANGAANSLUITING**
12. **SLANGFILTER**
13. **SLANGKLEM**
14. **SLANG**
15. **VLOTTER**
16. **ZEEPFLAS* (WA4036)**
17. **BORSTEL* (WA4048)**
18. **OPVOUWBARE WATEREMMER * (WA4015)**
19. **FILTERSCHERM (ZIE AFB. E2)**
20. **TURBO-STRAALBUIS * (WA4037)**
21. **RUITENWISSER MET WATERSPROEIER* (WA4050)**

- 22. FLESSEKOPPELSTUK* (WA4038)**
- 23. DRAAIBARE SNELKOPPELADAPTER * (WA4039)**
- 24. ROTERENDE REINIGINGSBORSTEL* (WA4042)**
- 25. INSTELBARE HOGEDRUKSCHROBBORSTEL * (WA1820 / WA1821)**
- 26. KORTE LANS* (WA4013)**

*** Niet alle afgebeelde of beschreven toebehoren worden standaard meegeleverd.**

TECHNISCHE GEGEVENS

Type **WG620E WG620E.2 WG620E.4 WG620E.9 WG620E.10 (620-649 - aanduiding van de installatie, een type door een accu aangedreven reiniger)**

	WG620E WG620E.2 WG620E.4 WG620E.10	WG620E.9
Spanning	20 V Max.**	
Max. druk	2.4Mpa (24bar)	
Nominale druk	2.2Mpa (22bar)	
Max waterdebiet	120L/h	
Max. toevoerwaterdruk	0.6Mpa (6bar)	
Aanzuighoogte	Max. 1.5m	
Gewicht (met spuit)	1,7kg	1,3kg

**Spanning gemeten zonder belasting. Beginspanning batterij bereikt maximum 20 volt. Nominale spanning is 18 volt.

GELUIDSPRODUCTIE

A-gewogen geluidsdruk L_{PA} : 73.8 dB(A)

A-gewogen geluidsvermogen L_{WA} : 84.8 dB(A)

K_{PA} 2.35dB(A)

Draag oorbescherming.



TRILLINGSGEDEVENS

Gewogen trillingswaarde $a_h = 1.339 \text{ m/s}^2$
 $K = 1.5 \text{ m/s}^2$

De opgegeven totale trillingswaarde kan worden gebruikt om een gereedschap met een ander te vergelijken en

kan ook dienen als een voorlopige beoordeling van de blootstelling.

! WAARSCHUWING: De trillingsemisiewaarde tijdens het feitelijke gebruik van dit elektrisch gereedschap kan afwijken van de opgegeven waarde, afhankelijk van de wijze waarop het gereedschap wordt gebruikt, zoals in de volgende voorbeelden: Hoe het gereedschap wordt gebruikt en welk materiaal wordt gesneden of geboord.

Of het gereedschap in goede staat verkeerd en correct wordt onderhouden.

Gebruik van de juiste toebehoren voor het gereedschap en of deze scherp zijn en in goede staat verkeren.

De stevigheid van de grip op de handgrepen en het eventuele gebruik van antivibratie-accessoires.

En of het gereedschap wordt gebruikt waarvoor het ontworpen is en in overeenstemming met deze instructies.

Dit gereedschap kan een trillingssyndroom in de handen en armen veroorzaken als het niet op de juiste wijze gehanteerd wordt.

! WAARSCHUWING: Voor de nauwkeurigheid moet bij een schatting van het blootstellingsniveau in de feitelijke gebruiksomstandigheden rekening worden gehouden met alle delen van de bedrijfscyclus, zoals het moment waarop het gereedschap wordt uitgeschakeld en terwijl het gereedschap in werking is zonder daadwerkelijk gebruikt te worden. Dit kan het blootstellingsniveau over de totale werkperiode aanzienlijk verminderen.

Help de blootstelling aan trillingen te minimaliseren. Onderhoud het gereedschap in overeenstemming met deze instructies en houd het goed gesmeerd (indien van toepassing).

Schaf antivibratie-accessoires aan wanneer u het gereedschap geregeld gebruikt.

Plan de werkzaamheden zodat de taken met veel trillingen over een aantal dagen verspreid worden.

TOEBEHOREN

	WG620E	WG620E.2	WG620E.4	WG620E.9	WG620E.10
Slang (6m)	1	1	1	1	1
Drukreinigingslans	1	1	1	1	1
Meervoudig spuitmondstuk	1	1	1	1	1
Accupack (WA3551)	1	1	2	/	1
Lader (WA3880)	1	1	1	/	1
Borstsel (WA4048)	/	1	1	/	/
Zeeppfles (WA4036)	/	1	1	/	/

Opvouwbare wateremmer (WA4015)	/	1	1	/	/
Flessenkoppelstuk (WA4038)	/	1	1	/	1
Turbo-straalbuis (WA4037)	/	/	/	/	/
Ruitenwisser met watersproeier (WA4050)	/	/	/	/	/
Lansverlengstuk (WA4012)	/	/	/	/	/
Draaibare snelkoppeladapter (WA4039)	/	/	/	/	/
Roterende reinigingsborstel (WA4042)	/	/	/	/	/
Instelbare hogedrukschroborstel (WA1820/WA1821)	/	/	/	/	/
Korte lans (WA4013)	/	/	/	/	1

Wij adviseren u alle accessoires te kopen in de winkel waar u het gereedschap heeft aangekocht. Kijk op de verpakking van accessoires voor meer informatie. Ook het winkelpersoneel kan u helpen en adviseren.

BEDIENINGSINSTRUCTIES



OPMERKING: lees het instructieboekje aandachtig voor gebruik van het gereedschap.

Gebruik volgens bestemming

Dit gereedschap is bestemd voor reinigen en spoelen.

ASSEMBLAGE EN BEDIENING

ACTIE	FIGURE
VOOR GEBRUIK	
De accu installeren	Zie afb. A1
De accu verwijderen	Zie afb. A2
De toestand van de accu controleren OPMERKING: Fig. A3 is alleen geschikt voor het accupack met indicatielampje voor de accu.	Zie afb. A3
De batterij opladen U vindt meer gedetailleerde informatie in de handleiding voor het laadapparaat	Zie afb. A4, A5

MONTAGE

Aansluiten van de drukreinigingslans op de drukaansluiting

OPMERKING: Bij het bevestigen, de twee nokken van de lans uitlijnen met de groeven in de hogedrukreiniger, zoals getoond in afb. B.

Zie afb. B

Bevestigen van het meervoudig spuitmondstuk



OPMERKING: bij het bevestigen, het mondstuk linksom en rechtsom draaien om te controleren of het mondstuk goed vastzit en eraan trekken om te controleren of het veilig is vergrendeld.

Zie afb. C

Bevestigen van de slang aan de hogedrukreiniger

OPMERKING: Nadat de slang is bevestigd, de aansluiting controleren door het voorzichtig trekken aan de slang. De slang mag niet loskomen.

Zie afb. D1, D2

Bevestigen van uw eigen waterslang (optioneel)

1. Verwijder de slangadapter
2. Uw eigen tuinslang aansluiten met geschikte koppelstukken

OPMERKING: Naast de meegeleverde slang, kunt u de hogedrukreiniger ook met geschikte koppelstukken aansluiten aan uw eigen waterslang.

Zie afb. E1, E2, E3

OPMERKING: Controleer of het filterscherm ontbreekt voordat u de slangadapter opnieuw aandraait. Als u de snelle slangadapter opnieuw aandraait, draai deze dan stevig vast. Anders kan er geen water in worden gepompt en werkt het niet goed.

BEDIENING



WAARSCHUWING: De meegeleverde batterij is niet waterbestendig. Om een defecte batterij te vermijden, moet u de batterij tegen water beschermen. Sla het gereedschap en de batterij na gebruik op een droge plaats op.

Start

OPMERKING: Bij het eerste gebruik of na langdurige opslag is het raadzaam om de kraan aan te sluiten of enkele minuten te wachten om de lucht af te voeren totdat het water langs de slang omhoog gaat en eruit spuit.

Zie afb. F1, F2, F3

Kiezen van het spuitmondpatroon

OPMERKING: Spuitpatronen 0°, 15°, 25° en 40° zijn beschikbaar voor het reinigen en het spuitpatroon met het symbool  is het meest geschikt voor het bewateren.

Zie afb. G



WAARSCHUWING: Wissel het spuitpatroon niet bij ingeschakeld apparaat.

Reiniging



WAARSCHUWING: Sluit de machine niet aan op waterbronnen die vies, roestig, modderig of corrosief zijn (inbegrepen reinigingsmiddelen voor ruiten, plantenvoedsel en kunstmest etc.).

OPMERKING: Het product moet met vers water worden gespoid nadat het met zeewater gebruikt is.

Zie afb. H, I

Watering

Zie afb. J

BEVESTIGEN VAN ACCESSOIRES

Bij dit product worden een aantal accessoires geleverd, die nodig zijn bij verschillende toepassingen.

Probeer niet te reinigen zonder een lans of een bevestigd accessoire.

1. Zeepfles (WA4036, wordt los verkocht)

De zeepfles levert reinigingsmiddel voor diepreinigen van vuil. Deze wordt gebruikt in combinatie met de hogedrukreiniger of het lansverlengstuk. (Zie afb. K1, K2)

2. Borstel (WA4048, wordt los verkocht)

De borstel is voor het reinigen van voertuigen, boten, motoren, etc. Deze wordt gebruikt in combinatie met de hogedrukreiniger of het lansverlengstuk. (Zie afb. L1, L2)

3. Opvouwbare wateremmer (WA4015, wordt los verkocht)

De opvouwbare wateremmer zorgt voor een watertoevoer als u ver uit de buurt bent van een waterbron. Wordt deze niet gebruikt, kan hij opgevouwen worden opgeborgen. (Zie afb. M1, M2)

4. Turbo-straalpijp (WA4037, wordt los verkocht)

De turbo-straalpijp sproeit water over 360°, zodat een groter gebied gereinigd worden dan het waterpatroon over 0° in hetzelfde tijdsbestek. Aanbevolen om te gebruiken met hogedrukinstelling (Zie afb. N).

5. Ruitenwisser met watersproeier (WA4050, wordt los verkocht)

De snelkoppeling van de ruitenwisser klikt gemakkelijk in deze tool om water te spuiten of water van glazen oppervlakken en tegels te wissen. Past op de HydroShot krachtige reiniger of het verlengstuk (Zie afb. O1, O2, O3, O4)

6. Flessenkoppelstuk (WA4038, wordt los verkocht)

De flessenconnector maakt het mogelijk om het gereedschap direct aan te sluiten op de meeste tweeliterflessen met openingen van ca. 1". (OPMERKING: Past mogelijk niet op alle spuitwater- en waterflessen) (Zie afb. P1, P2, P3)

WAARSCHUWING: Monteer het flessenkoppelstuk niet vóórdat het gereed is om te worden gebruikt. De

openingen in het accessoire lekken vloeistof als er een fles gemonteerd is en de machine op een oppervlak ligt.

7. Draaibare snelkoppeladapter (WA4039, wordt los verkocht)

De draaibare snelkoppeladapter maakt het mogelijk spuitmondten van hogedrukreinigers volledig tot max. 180° in elke richting in te stellen. Ideaal voor reinigen rondom moeilijk te bereiken zones. Geschikt voor de HYDROSHOT™-hogedrukreiniger en meervoudig spuitmondstuk. (Zie afb. Q1, Q2)

8. Roterende reinigingsborstel (WA4042, wordt los verkocht)

Het roterende reinigingsborstelhulpstuk vergrendelt in het gereedschap en is geschikt voor gevoelige oppervlakken en krappe ruimten. Geschikt voor de HYDROSHOT™-hogedrukreiniger met/zonder gemonteerde verlenglans. (Zie afb. R)

9. Instelbare hogedrukschrobborstel (WA1820 / WA1821, wordt los verkocht)

Het door water aangedreven roterende schrobhulpstuk vergrendelt eenvoudig in het gereedschap voor het reinigen van harde oppervlakken. Geschikt voor de HYDROSHOT™-hogedrukreiniger met/zonder gemonteerde verlenglans. (Zie fig. S, T, U) De zachte schrobkop (WA1820) kan worden toegepast op zachte oppervlakken (niet aanbevolen voor auto's) en de harde schrobborstel (WA1821) kan worden toegepast op harde oppervlakken (niet aanbevolen voor auto's).

ONDERHOUD

Verwijder de batterij uit de houder voor alle instel-, service- of onderhoudswerkzaamheden.

Inspecteer het apparaat voor elk gebruik op beschadigde of versleten onderdelen.

Gebruik het niet met beschadigde of versleten onderdelen. Neem contact op met uw leverancier of de fabrikant voor reserveonderdelen.

Slangfilteronderhoud

Verwijder het slangfilter van de slang en verwijder de zeef. Reinig de onderdelen met schoon water voor het weer samenbouwen. (Zie afb. V1, V2)

Onderhoud filterschermen

Onderhoud de slangadapter om het filter te verkrijgen. (Zie afb. E1, E2) Spoel het af met water voordat u het weer in elkaar zet.

OPMERKING: Draai de slangadapter vast wanneer u hem opnieuw aandraait. Anders kunt u mogelijk geen water extraheren voor normaal gebruik.




WAARSCHUWING: Alle andere services moeten worden uitgevoerd door een geautoriseerde servicevertegenwoordiger.

REINIGEN/OPSLAG

Voor het opbergen alle water aftappen uit het apparaat en de slang.

Reinig de kunststof-spuitspuitgietbehuizing van het apparaat met een zachte borstel en een schone doek.
Gebruik geen water, reinigingsmiddelen of schuurmiddelen. Bewaar altijd op een veilige, droge plaats uit het bereik van kinderen. Plaats geen andere objecten op de machine.
Het apparaat en de accessoires opslaan op een vorstvrije locatie.

BESCHERMING VAN HET MILIEU

 Afgedankte elektrische producten kunt u niet met het normale huisafval weggooien. Breng deze producten, indien mogelijk, naar een recyclecentrum bij u in de buurt. Vraag de verkoper of de gemeente naar informatie en advies over het recyclen van elektrische producten.

CONFORMITEITVERKLARING

Wij,
Positec Germany GmbH
Grüner Weg 10, 50825 Cologne, Germany

Verklaren dat het product,
Beschrijving **Door een accu aangedreven reiniger**
Type **WG620E WG620E.2 WG620E.4 WG620E.9 WG620E.10 (620-649 – aanduiding van het apparaat, een type door een accu aangedreven reiniger)**
Functie **Reinigen en spoelen**

Voldoet aan de volgende richtlijnen,
2006/42/EC, 2014/30/EU,
2011/65/EU&(EU)2015/863,
2000/14/EC gewijzigd door 2005/88/EC

2000/14/EC gewijzigd door 2005/88/EC:
- Procedure beoordeling conformiteit volgens **Annex V**
- Niveau gemeten geluidsvermogen **84.8 dB**
- Opgegeven, gegarandeerde niveau geluidsvermogen **87dB**

Normen voldoen aan,
EN 60335-1, EN 60335-2-54, EN 62233,
EN ISO 3744, EN 55014-1, EN 55014-2

De persoon die bevoegd is om het technische bestand te compileren,

Naam Marcel Filz
Adres Positec Germany GmbH Grüner Weg 10,
50825 Cologne, Germany

57




2020/11/23
Allen Ding
Plaatsvervangend Chief Ingenieur, Testen en
Certificeringmanager
Positec Technology (China) Co., Ltd
18, Dongwang Road, Suzhou Industrial
Park, Jiangsu 215123, P. R. China

PROBLEMEN OPLOSSEN

Problemen	Mogelijke oorzaken	Oplossing
Machine schakelt in, maar trekt geen water of er is onvoldoende druk.	Mondstuk is te ver van waterbron.	Laat de machine onder 5ft/1,5m zakken.
	Filter geblokkeerd.	Verwijder het filter en spoel de onderdelen met schoon water. (Zie afb. V1, V2)
	De tuinslang van de gebruiker is niet goed aangesloten op de machine.	Controleer de tuinslang en bevestig deze opnieuw. (Zie afb. E1, E2, E3)
	Slangadapter zit los.	Maak de slangadapter goed vast. Neem contact op met Worx om het filterscherm te vervangen
	Filterscherm ontbreekt. (Zie afb. E2)	
	De pomp, slang of andere onderdelen zijn bevroren.	Wacht totdat de pomp, slang of andere onderdelen zijn ontdooid.
Het mondstuk lekt.	Knik in de slang.	Verwijder de knikken.
	Het patroon van het mondstuk sproeit niet correct.	Zorg dat het symbool van het mondstuk met de markering op het gereedschap wordt uitgelijnd.
	Bevestiging zit los.	Aanspannen met moersleutel.
Druk wordt plotseling verhoogd.	Mondstuk geblokkeerd.	Vervangen door nieuw mondstuk.
Na het stoppen, komt er water uit de machine.	Er zit nog water in de slang en de pomp nadat deze werd gestopt.	Voor het opslaan het water aftappen.
Uit het toebehoren voor zeep komt er geen detergent.	Blokering in de zeepfles.	Schoonmaken met water.
Machine start niet.	Accupack zit los.	Accupack opnieuw plaatsen.
	Accupack leeg.	Vervangen door nieuw accupack of accupack opladen.
	Batterij defect.	Vervang de batterij.
Druk van machine is niet consistent.	Lucht in de machine gezogen.	Verbinding tussen slangadapter en slang controleren.
	Staat op de instelling Lage druk.	Geen actie vereist.
Machine stopt automatisch.	Accupack leeg.	Vervangen door nieuw accupack of accupack opladen.
	Mondstuk geblokkeerd. Stroombeveiliging geactiveerd.	Verwijder het mondstuk en schakel de machine in. As de machine normaal werkt, mondstuk vervangen.

BEZPIECZEŃSTWO PRODUKTU OGÓLNE OSTRZEŻENIA DOTYCZĄCE BEZPIECZEŃSTW

 **UWAGA: Należy przeczytać wszystkie przepisy.** *Błędy w przestrzeganiu następujących przepisów mogą spowodować porażenie prądem, pożar i/lub ciężkie obrażenia ciała.*

Należy dobrze przechowywać te przepisy.

- Urządzenie to może być używane przez osoby o ograniczonej zdolności fizycznej, sensorycznej lub psychicznej, bez odpowiedniego doświadczenia i wiedzy, jeżeli są one pod nadzorem lub zostaną poinstruowane odnośnie bezpiecznego sposobu eksploatacji urządzenia i uświadamiają sobie możliwości zagrożenia. Dzieci nie mogą bawić się urządzeniem.
- Urządzenie może być zastosowane wyłącznie z zespołem zasilania, który był dostarczony z tym urządzeniem.

Ostrzeżenie bezpieczeństwa

1. Wystrzegać się skierowania strumienia cieczy czyszczącej w stronę urządzeń z elementami elektrycznymi.
2. Wyjąć lub odłączyć akumulator po użyciu i przed przystąpieniem do prac konserwacyjnych.
3. Zabrania się pozostawienia

urządzenia bez nadzoru, jeżeli jest podłączone do akumulatora.

4. Zabrania się eksploatacji urządzenia, które spadło na ziemię, nosi widoczne oznaki uszkodzenia lub wycieka ciecz czyszcząca..
5. Przechowywać urządzenie w miejscu niedostępnym dla dzieci, jeżeli jest pod napięciem.

INSTRUKCJA BEZPIECZEŃSTWA DOTYCZĄCA MODUŁU AKUMULATORA








- a) **Nie demontuj, nie otwieraj lub nie niszc ogniw pomocniczych lub modułu akumulatora.**
- b) **Nie zwieraj ogniwa lub modułu akumulatora. Nie przechowuj ogniw lub modułu akumulatora w sposób bezładny w pudle lub szufladzie, gdzie mogą się wzajemnie zewrzeć lub ulec zwarcia przez inne metalowe przedmioty.** Nie używany akumulator należy trzymać z daleka od spinaczy, monet, kluczy, gwoździ, śrub lub innych małych przedmiotów metalowych, które mogłyby spowodować zmostkowanie kontaktów. Zwarcie pomiędzy kontaktami akumulatora może spowodować oparzenia lub pożar.
- c) **Nie narażaj ogniwa lub modułu akumulatora na działanie ciepła lub ognia. Unikaj składowania w miejscach pod bezpośrednim**



działaniem światła słonecznego.

- d) Nie narażaj ogniwi lub modułu akumulatora na uderzenia mechaniczne.**
- e) W razie wycieku z ogniwa, nie dopuść, aby płyn zetknął się ze skórą lub dostał się do oczu. Jeśli już nastąpił kontakt z płynem, przemyj skażoną powierzchnię dużą ilością wody i zwróć się o pomoc medyczną.**
- f) Nie używaj ogniwa lub modułu akumulatora nie przeznaczonego do pracy z danym urządzeniem.**
- g) Utrzymuj ogniwa i moduł akumulatora w czystości i w stanie suchym.**
- h) Jeśli zaciski ogniwa lub akumulatora zostały zanieczyszczone, oczyść je czystą i suchą szmatką.**
- i) Ogniwa pomocnicze i moduł akumulatora należy przed użyciem naładować. Zawsze używaj właściwej ładowarki i przestrzegaj instrukcji ładowania zawartej w instrukcji obsługi dostarczonej przez producenta urządzenia.**
- j) Nie pozostawiaj modułu akumulatora na długie ładowanie, jeśli go nie używasz.**
- k) Po dłuższym okresie składowania może być niezbędne kilkukrotne naładowanie i rozładowanie ogniwi lub modułu akumulatora, aby uzyskać optymalną wydajność.**
- l) Ogniwa pomocnicze oraz moduł akumulatora osiągają największą wydajność podczas pracy w normalnej temperaturze pokojowej ($20^{\circ}\text{C} \pm 5^{\circ}\text{C}$).**
- m) Podczas utylizacji akumulatorów należy oddzielić od siebie akumulatory o różnych systemach elektromechanicznych.**
- n) Akumulatory należy ładować tylko w ładowarkach, które poleci producent. Dla ładowarki, która nadaje się do ładowania określonych akumulatorów istnieje niebezpieczeństwo pożaru, gdy użyte zostaną inne akumulatory.**
- o) Nie używaj ogniwa lub modułu akumulatora nie przeznaczonego do pracy z danym urządzeniem.**
- p) Trzymaj ogniwa i moduł akumulatora poza zasięgiem dzieci.**
- q) Zachowaj oryginalne instrukcje produktu do wglądu.**
- r) Kiedy to możliwe, wyjmuj moduł akumulatora, jeśli urządzenia się nie używa.**
- s) Zużyte ogniwa i akumulatory utylizuj zgodnie z zasadami gospodarki odpadami.**
- t) Nie używaj w urządzeniu ogniwi różnych producentów,**

- pojemności i wymiarów.**
- u) Nie wyjmuj baterii z oryginalnego opakowania do momentu zastosowania w urządzeniu.**
- v) Kieruj się poprawną biegunowością wyznaczoną za pomocą symboli plus (+) i minus (-) na baterii / akumulatorze.**

SYMBOLE

	Ostrzeżenie
	Zapoznać się z instrukcją użytkownika
	Odpady wyrobów elektrycznych nie powinny być wyrzucane razem z odpadami gospodarstwa domowego. Należy korzystać z recyklingu, jeśli istnieje odpowiednia infrastruktura. Porady dotyczące recyklingu można uzyskać u władz lokalnych lub sprzedawcy detalicznego.
 Li-Ion	Nie wyrzucać akumulatorów, Oddawać zużyte baterie do odpowiednich
	Nie wrzucać do ognia.
	Nie wystawiać na działanie deszczu lub wody.
	Wyjąć akumulator z gniazda przed dokonaniem jakiegokolwiek regulacji, serwisowania lub konserwacji.

	Odblokowanie
	Blokada

LISTA KOMPONENTÓW

1. PRZEŁĄCZNIK BLOKUJĄCY
2. ZATRZASK POJEMNIKA BATERYJNEGO
3. ZESTAW BATERII *
4. DŹWIGNIA PRZEŁĄCZNIKA ON/OFF
5. ZŁĄCZE WĘŻA
6. DYSZA CIŚNIENIOWA
7. LANCA DO CZYSZCZENIA CIŚNIENIOWEGO
8. ZŁĄCZE DYSZY
9. DYSZY WIELOFUNKCYJNA
10. NASADA SZYBKOZŁĄCZA
11. ZŁĄCZE WĘŻA
12. FILTR WĘŻA
13. KLAMRA WĘŻA
14. WĄŻ
15. PLYWAK
16. ZBIORNIK ŚRODKA CZYSZCZĄCEGO* (WA4036)
17. SZCZOTKA* (WA4048)
18. SKŁADANE WIADERKO NA WODĘ* (WA4015)
19. SITKO (PATRZ RYS. E2)
20. TURBO DYSZA * (WA4037)
21. ŚCIĄGACZKA WODY ZE SPRYSKIWACZEM * (WA4050)
22. ZŁĄCZE DO BUTELKI * (WA4038)
23. ADAPTER OBROTOWO-ZWROTNY SZYBKIEGO ŁĄCZENIA * (WA4039)
24. SZCZOTKA OBROTOWA * (WA4042)
25. REGULOWANA SZCZOTKA OBROTOWA NAPĘDZANA WODĄ * (WA1820 / WA1821)

26. LANCA KRÓTKA * (WA4013)

* Nie wszystkie pokazane na ilustracji akcesoria są dostarczane standardowo.

DANE TECHNICZNE

Typ **WG620E WG620E.2 WG620E.4 WG620E.9 WG620E.10 (620-649 – oznaczenie urządzenia, model oczyszczacza przenośnego zasilanego akumulatorami)**

	WG620E WG620E.2 WG620E.4 WG620E.10		WG620E.9
	Napięcie	20 V $\overline{=}$ Max.**	
Max. ciśnienie	2.4Mpa (24bar)		
Ciśnienie znamionowe	2.2Mpa (22bar)		
Wydajność tłoczenia	120L/h		
Max. ciśnienie wody na wlocie	0.6Mpa (6bar)		
Wysokość ssania	Max. 1.5m		
Masa (z łańcuchem)	1.7kg	1.3kg	

**Napięcie mierzone bez obciążenia. Początkowe napięcie akumulatora osiąga maksymalną wartość 20 V. Napięcie nominalne wynosi 18 V.

DANE DOTYCZĄCE HAŁASU I WIBRACJI

Ważone ciśnienie akustyczne	L_{BA} : 73.8 dB(A)
Ważona moc akustyczna	L_{WA} : 84.8 dB(A)
K_{pA}	2.35 dB(A)

Używać ochrony słuchu.



INFORMACJE DOTYCZĄCE DRGAŃ

Typowa wibracja ważona	$a_n = 1.339 \text{ m/s}^2$ $K = 1.5 \text{ m/s}^2$
------------------------	--

Zadeklarowana całkowita wartość wibracji może być wykorzystana do porównania jednego narzędzia z innym oraz może być użyta we wstępnej ocenie narażenia.

Ostrzeżenie: Wartość emisji wibracji w czasie rzeczywistego używania elektronarzędzia może się

różnić od zadeklarowanej, w zależności od sposobu używania narzędzia w następujących przykładach i innych sposobach używania narzędzia:

Jak używane jest narzędzie oraz, czy materiał jest cięty czy wiercony.
Czy narzędzie jest w dobrym stanie i czy jest prawidłowo konserwowane.
Czy używane są prawidłowe akcesoria narzędzia i czy narzędzie jest właściwie naostrzone oraz w dobrym stanie.
Czy dokręcone są szczęki na uchwycie i czy używane są jakiegokolwiek akcesoria antybiracyjne.
Oraz, czy narzędzie jest używane zgodnie z przeznaczeniem i według instrukcji.

Nieprawidłowe prowadzenie tego narzędzia może spowodować syndrom wibracji rąk.

OSTRZEŻENIE: W szczególności, oszacowanie poziomu ekspozycji w rzeczywistych warunkach używania powinno brać także pod uwagę wszystkie elementy cyklu działania, takie jak czasy wyłączenia narzędzia i czas bezczynności, ale nie rzeczywistie wykonywaną pracę. Może to znacznie zmniejszyć poziom ekspozycji w całym okresie pracy.

Pomoc w minimalizacji narażenia na wibrację.
Narzędzie należy konserwować z godnie z instrukcjami i prawidłowo smarować (w odpowiednich miejscach).
Jeśli narzędzie jest używane regularnie należy zakupić akcesoria antywibracyjne.
Należy zaplanować harmonogram pracy w celu rozłożenia używania narzędzi wytwarzających wysoki poziom drgań na kilka dni.

AKCESORIA

	WG620E	WG620E.2	WG620E.4	WG620E.9	WG620E.10
Wąż (6m)	1	1	1	1	1
Łańcuch do czyszczenia ciśnieniowego	1	1	1	1	1
Dysza wielofunkcyjna	1	1	1	1	1
Zestaw baterii (WA3551)	1	1	2	/	1
Ładowarka (WA3880)	1	1	1	/	1
Szczotka (WA4048)	/	1	1	/	/
Zbiornik środka czyszczącego (WA4036)	/	1	1	/	/

**2w1 Akumulatorowy przenośny
Oczyszczacz / Opryskiwacz wodny**

PL

Składane wiadro na wodę (WA4015)	/	1	1	/	/
Złącze do butelki (WA4038)	/	1	1	/	1
Turbo dysza (WA4037)	/	/	/	/	/
Ściągaczka wody ze spryskiwaczem (WA4050)	/	/	/	/	/
Przedłużenie lancy (WA4012)	/	/	/	/	/
Adapter obrotowo-zwrotny szybkiego łączenia (WA4039)	/	/	/	/	/
Rotacyjna szczotka do czyszczenia (WA4042)	/	/	/	/	/
Regulowana szczotka obrotowa napędzana wodą (WA1820 / WA1821)	/	/	/	/	/
Lanca krótka (WA4013)	/	/	/	/	1

Zaleca się zakup wszystkich akcesoriów w sklepie, gdzie zakupiono narzędzie. Więcej szczegółów można znaleźć w dodatkowym opakowaniu. Personel sklepu może również udzielić pomocy i porad.

INSTRUKCJE OBSŁUGI



UWAGA: Przed użyciem narzędzia przeczytać uważnie instrukcję obsługi.

Użycie zgodne z przeznaczeniem

Urządzenie jest przeznaczone do czyszczenia i nawadniania.

MONTAŻ I OBSŁUGA

DZIAŁANIE	RYSUNEK
PRZED PRACĄ	
Instalowanie akumulatora	Patrz Rys. A1
Wymywanie akumulatora	Patrz Rys. A2
Skontrolować stan akumulatora UWAGA: Fig. A3 dotyczy wyłącznie akumulatora wyposażonego w kontrolkę świetlną.	Patrz Rys. A3

Ładowanie akumulatora
Więcej szczegółów znajduje się w instrukcji obsługi ładowarki.

Patrz Rys. A4, A5

MONTAŻ

Mocowanie lancy do czyszczenia ciśnieniowego do dyszy zasilającej

UWAGA: Podczas mocowania, wyrównać dwa występy na lancy z rowkami dyszy zasilania, zgodnie z Rys. B.

Patrz Rys. B

Podłączenie dyszy wielofunkcyjnej

UWAGA: podczas mocowania, obracając w lewo i prawo do dyszy upewnić się czy dysza jest w poprawnej pozycji i delikatnie wyciągając, aby upewnić się, że jest zablokowana w bezpiecznej pozycji.

Patrz Rys. C

Mocowanie węża do dyszy ciśnieniowej

UWAGA: Po załączeniu wąż, sprawdzić połączenie delikatnie pociągając za wąż. Wąż nie może być wyciągnięty.

Patrz Rys. D1, D2

Mocowanie własnego węża (opcja)

1. Usunąć złącze węża
2. Podłączyć wąż ogrodowy do instalacji wodnej do odpowiednich złączy.

UWAGA: Oprócz węża dostarczonego wraz z urządzeniem, do dyszy można również podłączyć inny wąż wyposażonego w odpowiednie złącze.

UWAGA: Przed przystąpieniem do dokręcenia szybkozłącza węża, należy skontrolować, czy sitko znajduje się we właściwym miejscu. Szybkozłącze węża należy mocno dokręcić. W odwrotnym przypadku, nie musi być poprawny tok wody.

Patrz Rys. E1, E2, E3

KORZYSTANIE Z URZĄDZENIA

UWAGA: Akumulatory będący w wyposażeniu produktu nie jest wodoodporny. Aby obniżyć ryzyko uszkodzenia akumulatora, należy podczas eksploatacji urządzenia wystrzegać się kontaktu akumulatora z wodą. Urządzenie oraz akumulatory należy przechowywać w suchym miejscu.

Uruchomienie

UWAGA: Przy pierwszym użyciu lub po długotrwałym złożeniu zaleca się zamocowanie kranu lub odczekanie kilku minut do ujścia powietrza i wyjścia wody z węża i spryskiwania.

Patrz Rys. F1, F2, F3

<p>Wybór trybu dyszy UWAGA: Wybierz odpowiednią tryb strumienia z dyszy, w zależności od rodzaju pracy. Tryby strumienia 0°, 15°, 25° oraz 40° nadają się do czyszczenia, tryb strumienia dyszy oznaczony symbolem nadaje się do podlewania.</p> <p> OSTRZEŻENIE: Nie zmieniać trybu strumienia dyszy podczas pracy urządzenia.</p>	Patrz Rys. G
<p>Czyszczenie</p> <p> OSTRZEŻENIE: Nie podłączać urządzenia do źródeł z brudną, zardzewiałą, zabłoconą lub żrącą wodą. (Włączenie środków czystości lub nawozów w płynie, itp.)</p> <p>UWAGA: Po użyciu morskiej wody, produkt należy przepłukać bieżącą wodą w celu wykonania prawidłowej konserwacji.</p>	Patrz Rys. H, I
Podlewanie	Patrz Rys. J

AKCESORIA

Z urządzeniem dostarczane są akcesoria, które służą do wielu różnych zastosowań. **Zabrania się wykonywania czynności czyszczących bez użycia lancy lub bez podłączanych elementów wyposażenia.**

1. Zbiornik na środek czyszczący (WA4036, sprzedawane oddzielnie)

Zbiornik na środek czyszczący stosowany jest do skutecznego usuwania zanieczyszczeń. Stosowany jest w połączeniu z dyszą ciśnieniową lub przedłużeniem lancy. (Patrz Rys. K1, K2)

2. Szczotka (WA4048, sprzedawane oddzielnie)

Szczotka stosowana jest do mycia samochodów, łodzi, motocykli itp. Stosowany jest w połączeniu z dyszą ciśnieniową lub przedłużeniem lancy. (Patrz Rys. L1, L2)

3. Składane wiaderko na wodę (WA4015, sprzedawane oddzielnie)

Składane wiaderko na wodę umożliwia zabezpieczyć w zaopatrzenie w wodę będąc z dala od źródła wody. Po użyciu może być przechowywana w stanie złożonym. (Patrz Rys. M1, M2)

4. Turbo dysza (WA4037, sprzedawane oddzielnie)

Turbo dysza zapewni 360° stopniową rotację strumienia wody, który w jednakowym okresie czasu jest w stanie oczyścić powierzchnię większą niż ciągły strumień wody. Zaleca się stosować z wysokim ustawieniem wartości ciśnienia. (Patrz rys. N)

5. Ściągaczka wody ze spryskiwaczem (WA4050, sprzedawane oddzielnie)

Ściągaczkę wody można z łatwością podłączyć do urządzenia w celu spryskania lub starcia wody z szyby

lub glazury. Nadaje się do zastosowania z urządzeniem HYDROSHOT power cleaner lub lancą wydłużającą. (Patrz rys. O1, O2, O3, O4)

6. Złącze do butelki (WA4038, sprzedawane oddzielnie)

Złącze umożliwia podłączyć urządzenie bezpośrednio z większością 2 litrowych butelek o 1" otworze. (Uwaga: nie musi pasować do wszystkich ogólnie dostępnych butelek z wodą sodową) (Patrz rys. P1, P2, P3)

OSTRZEŻENIE: Zabrania się instalacji złącza, dopóki butelka nie będzie gotowa do użycia. Z otworów w złączu może wyciekać woda, jeżeli butelka zostanie zainstalowana w urządzeniu w pozycji poziomej.

7. Adapter obrotowo-zwrotny szybkiego łączenia (WA4039, sprzedawany oddzielnie)

Adapter obrotowo-zwrotny umożliwia dokładne regulowanie końcówek do maks. 180° w dowolnym kierunku. Idealny do czyszczenia w trudno dostępnych miejscach. Nadaje się do użycia z zastosowaniem środka czyszczącego HYDROSHOT™ oraz dyszy z wieloma rozpylaczami (Patrz Rys. Q1, Q2)

8. Szczotka rotacyjna (WA4042, sprzedawana oddzielnie)

Rotacyjna szczotka służy do czyszczenia delikatnych powierzchni oraz trudno dostępnych przestrzeni. Nadaje się do zastosowania z środkiem czyszczącym HYDROSHOT™ power cleaner z lub bez przedłużenia lancy. (Patrz Rys. R)

9. Regulowana szczotka obrotowa napędzana wodą (WA1820 / WA1821, sprzedawana oddzielnie)

Szczotka obrotowa napędzana wodą służy do czyszczenia twardych powierzchni. Nadaje się do zastosowania z środkiem czyszczącym HYDROSHOT™ power cleaner z lub bez przedłużenia lancy (Patrz Rys. S, T, U). Miękka głowica szorująca (WA1820) ma zastosowanie do delikatnych powierzchni, a twarda szczotka (WA1821) do włosów służy do czyszczenia twardych powierzchni (nie zaleca się do karoserii samochodów).

KONSERWACJA

Wyjąć akumulator z gniazda przed dokonaniem jakiegokolwiek regulacji, serwisowania lub konserwacji.

Przed przystąpieniem do eksploatacji należy skontrolować czy urządzenie lub elementy urządzenia nie są uszkodzone. Jeżeli urządzenie lub jego elementy są uszkodzone, należy skontaktować się z punktem sprzedaży, punktem serwisowym lub producentem.

Konserwacja filtra węża


Usunąć filtr z węża wyjąć sitko. Przed ponownym założeniem opłukać w czystej wodzie. (Patrz Rys. V1, V2)

Konserwacja ekranu filtra

Wymontuj adapter węża, aby uzyskać filtr. (Patrz Rys. E1, E2) Spłucz wodą przed ponownym montażem.

UWAGA: Po dokręceniu dokręcić adapter węża. W przeciwnym razie możesz nie być w stanie wypompować


wody do normalnej pracy.

 **OSTRZEŻENIE: Wszelkie inne usługi powinny być wykonywane przez autoryzowanego przedstawiciela serwisu.**

CZYSZCZENIE/ PRZECHOWYWANIE

Urządzenie oraz wąż należy przechowywać całkowicie wysuszone i pozbawione wody. Plastikową obudowę urządzenia oczyścić za pomocą miękkiej szczotki i czystej szmatki. Nie używaj wody, rozpuszczalników i środków do polerowania. Należy zawsze przechowywać w bezpiecznym, suchym miejscu, poza dostępem dla dzieci. Nie należy umieszczać innych obiektów na maszynie. Urządzenie oraz wyposażenie należy przechować w miejscach zabezpieczonych przed mrozem.

OCHRONA ŚRODOWISKA

 Odpady wyrobów elektrycznych nie powinny być wyrzucane razem z odpadami gospodarstwa domowego. Należy korzystać z recyklingu, jeśli istnieje odpowiednia infrastruktura. Porady dotyczące recyklingu można uzyskać u władz lokalnych lub sprzedawcy detalicznego.

DEKLARACJA ZGODNOŚCI

My,
Positec Germany GmbH
Grüner Weg 10, 50825 Cologne, Germany

deklarujemy, że produkt,
Opis **Przenośny oczyszczacz na akumulatorce**
Typ **WG620E WG620E.2 WG620E.4 WG620E.9**
WG620E.10 (620-649 – model urządzenia,
oczyszczacz przenośny na akumulatorce)
Funkcja **Czyszczenie i płukanie**

jest zgodny z następującymi dyrektywami,
2006/42/EC, 2014/30/EU,
2011/65/EU&(EU)2015/863,
2000/14/EC zmieniona dyrektywą 2005/88/EC

2000/14/EC zmieniona dyrektywą 2005/88/EC:
- Procedura oceny zgodności zgodna z **Aneks V**
Dyrektywy
- Moc dźwięku **84.8 dB**
- Deklarowana gwarantowana moc dźwięku **87dB**

Normy są zgodne z
EN 60335-1, EN 60335-2-54, EN 62233,
EN ISO 3744, EN 55014-1, EN 55014-2

Osoba upoważniona do kompilacji pliku technicznego,
Nazwa Marcel Filz
Adres Positec Germany GmbH Grüner Weg 10,
50825 Cologne, Germany




2020/11/23
Allen Ding
Zastępca głównego inżyniera, testowanie i certyfikacja
Positec Technology (China) Co., Ltd
18, Dongwang Road, Suzhou Industrial
Park, Jiangsu 215123, P. R. China

ROZWIĄZYWANIE PROBLEMÓW

Objawy	Możliwa przyczyna	Możliwe rozwiązanie
Maszyna pracuje, ale nie naciąga wody lub ciśnienie nie jest wystarczające.	Dysza znajduje się zbyt wysoko ponad poziomem wody.	Obniżyć o około 1.5m.
	Filtr węża jest uniedroźniony.	Wyjąć filtr węża i wyczyścić pod strumieniem czystej wody. (Patrz Rys. V1, V2)
	Wąż ogrodniczy nie jest poprawnie podłączony do maszyny.	Skontrolować i mocno docisnąć złącze węża. (Patrz Rys. E1, E2, E3)
	Poluzowany adapter węża. Brakuje sitka. (Patrz Rys. E2)	Bezpiecznie dokręcić adapter węża za pomocą klucza. Skontaktować się z punktem sprzedaży produktów Worx w celu pozyskania nowego sitka.
	Pompa, wąż lub inne elementy są zamrożone z powodu panującej temperatury otoczenia.	Odczekać do udrożnienia (rozpuszczenia lodu) pompy, węża lub innej części.
	Załamany wąż.	Wyprostować wąż.
Przeciek dyszy wielofunkcyjnej.	Sitko dyszy nie tryska poprawnie.	Upewnić się, czy symbol umieszczony na głowicy dyszy jest ustawiony odpowiednio względem znaku na urządzeniu.
	Poluzowana nasada złącza dyszy wielofunkcyjnej.	Dokręcić za pomocą klucza.
Ciśnienie wody gwałtownie wzrasta.	Zablokowana dysza wielofunkcyjna.	Wymienić dyszę.
Resztki wody po wyłączeniu urządzenia.	Woda pozostaje w lancy i w pompie po unieruchomieniu maszyny.	Przed odłożeniem całkowicie usunąć wodę.
Brak środków do czyszczenia na elementach do mycia.	Środek do mycia zablokowany w zbiorniku.	Umyć w czystej wodzie.
Nie można uruchomić urządzenia.	Niepoprawnie podłączony akumulator.	Ponownie poprawnie połączyć akumulator.
	Wyładowany akumulator	Wymienić lub naładować akumulator.
	Uszkodzony akumulator.	Wymienić akumulator.
Ciśnienie maszyny nie jest stałe.	Nieszczelny lub niepoprawnie działający system zasymania powietrza.	Skontrolować połączenie adaptera węża z węzłem.
	Ustawione niskie ciśnienie.	Nie jest potrzebne żadne działanie.
Maszyna wyłącza się samoczynnie.	Wyładowany akumulator.	Wymienić lub naładować akumulator.
	Dysza wielofunkcyjna uniedroźniona. Włączona ochrona.	Wymienić dyszę wielofunkcyjną i włączyć urządzenie. Jeżeli urządzenie pracuje poprawnie wymienić dyszę wielofunkcyjną.

BIZTONSÁGOS TERMÉKHASZNÁLAT ÁLTALÁNOS FIGYELMEZTETÉSEK

 **FIGYELEM: Olvasson el minden biztonsági figyelmeztetést és valamennyi utasítást. A figyelmeztetések és utasítások figyelmen kívül hatása áramütést, tüzet és/vagy súlyos sérülést eredményezhet.**

Őrizzen meg minden figyelmeztetést és utasítást, a jövőben szüksége lehet ezekre.

- A csökkent fizikai, érzékelési és értelmi képességű, illetve a tapasztalatlan vagy képzetlen személyek csak felügyelet mellett vagy a készülék biztonságos használatára vonatkozó utasítások és a használatjal járó kockázatok megértése és elsajátítása után használhatják ezt a készüléket. A gyerekeknek meg kell tiltani a készülékkel való játszadozást.
- A készülék kizárólag a vele együtt szállított tápegységgel használható.

Kiegészítő biztonsági szabályok

1. A készülék által kilövellt folyadékot nem szabad elektromos alkotóelemeket tartalmazó felszerelésekre irányítani.
2. Használat után vagy a felhasználó által végzett karbantartási munkálatok előtt távolítsa el az akkucsomagot.
3. Miután az akkucsomagot csatlakoztatták hozzá, a készüléket nem szabad felügyelet nélkül hagyni.
4. Ha a készüléket leejtették, károsodás jelei fedezhetők fel rajta vagy szivárog, a készülék használatát meg kell szüntetni.
5. Ha bekapcsolták a készülék áramellátását, a készülék nem kerülhet gyerekek kezébe.

AZ AKKUMULÁTORRAL KAPCSOLATOS BIZTONSÁGI FIGYELMEZTETÉSEK

- a) **Az akkumulátort ne szedje szét, ne nyissa fel és ne vágja meg.**
- b) **Ne zárja rövidre az akkumulátort. Az akkumulátorokat ne tárolja olyan dobozban vagy fiókban, ahol rövidre zárhatják egymást, vagy valamilyen vezető anyag a**

rövidzárlatukat okozhatja.

Az akkumulátorokat használaton kívül tartsa a fémtárgyaktól, például gemkapcsoktól, pénzérméktől, kulcsoktól, szögektől, csavaroktól vagy más kis fémtárgyaktól távol, mert ezek összekapcsolhatják a pólusokat. Az akkumulátor pólusainak rövidzárlata égés- és tűzveszélyes.

- c) Ne tegye ki hőnek vagy tűznek az akkumulátort. Ne tárolja közvetlen napfényben.**
- d) Az akkumulátort ne tegye ki ütésnek.**
- e) Ha az akkumulátor szivárog, vigyázzon, hogy a folyadék ne kerüljön a bőrre vagy szembe. Amennyiben a bőrre vagy szembe kerül, az érintett területet mossa le bő vízzel, és forduljon orvoshoz.**
- f) Az akkumulátor vagy egy cella lenyelése esetén azonnal forduljon orvoshoz.**
- g) Vigyázzon, hogy az akkumulátor tiszta és száraz maradjon.**
- h) Ha az akkumulátor pólusaira szennyeződés kerül, azt egy tiszta, száraz ruhával törölje le.**
- i) Az akkumulátort használat előtt fel kell tölteni.**

A töltést mindig az utasításoknak megfelelően, helyes eljárást használva végezze.



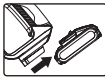


- j) Használaton kívül ne hagyja töltőn az akkumulátort.**
- k) Hosszan tartó tárolást követően a maximális teljesítmény elérése érdekében szükséges lehet, hogy az akkumulátort többször feltöltse és lemerítse.**
- l) Az akkumulátor szobahőmérsékleten ($20^{\circ}\text{C} \pm 5^{\circ}\text{C}$) használva nyújtja a legjobb teljesítményt.**
- m) Az akkumulátorok ártalmatlanításakor a különböző elektrokémiai rendszereket különítse el egymástól.**
- n) Csak a Worx által javasolt töltővel töltsen fel. Kizárólag a készülékhez való használatra mellékelt töltőt használja. *Ha egy adott akkumulátorhoz megfelelő töltőt másik akkumulátorral használ, az tűzveszélyes lehet.***
- o) Ne használjon a készülékkel való használatra tervezettől eltérő akkumulátort.**
- p) Az akkumulátor gyermekektől távol tartandó.**
- q) Őrizze meg a termékhez mellékelt utasításokat, a**

későbbiekben szüksége lehet ezekre.

- r) Amikor a szerszámot nem használja, vegye ki belőle az akkumulátort.
- s) Ártalmatlanításnál megfelelően járjon el.
- t) Ne helyezzen be különböző gyártóktól származó, illetve eltérő kapacitású, méretű vagy típusú akkukat a készülékbe.
- u) Az akkucsomag csomagolását csak közvetlenül a használat előtt távolítsa el.
- v) Figyeljen az akkun látható (+) és mínusz (-) polaritású jelzésekre az akku előírt használata érdekében.

SZIMBÓLUMOK

	Figyelmeztetés
	Olvassa el a kezelői kézikönyvet
	A leselejtezett elektromos készülékek nem dobhatók ki a háztartási hulladékkal. Ha van a közelben elektromos hulladék gyűjtő udvar, vigye oda a készüléket. Az újrahasznosítási lehetőségekről tájékozódjon a helyi hatóságoknál vagy a kereskedőnél.
 Li-Ion	Az elemeket ne dobja ki, a lemerült elemeket vigye a helyi gyűjtő- vagy újrahasznosító pontokra.

	Ne dobja tűzbe.
	Ne tegye ki esőnek vagy víznek.
	Mindenmű beállítás, javítás vagy karbantartás előtt vegye ki az akkut az akkuzárból.
	Nyit
	Zár

ALKATRÉSZLISTA

1.	PRZELĄCZNIK BLOKUJĄCY	69
2.	ZATRZASK POJEMNIKA BATERYJNEGO	
3.	ZESTAW BATERII *	
4.	DŹWIGNIA PRZELĄCZNIKA ON/OFF	
5.	ZŁĄCZE WĘŻA	
6.	DYSZA CIŚNIENIOWA	
7.	LANCA DO CZYSZCZENIA CIŚNIENIOWEGO	
8.	ZŁĄCZE DYSZY	
9.	DYSZY WIELOFUNKCYJNA	
10.	NASADA SZYBKOZŁĄCZA	
11.	ZŁĄCZE WĘŻA	
12.	FILTR WĘŻA	
13.	KLAMRA WĘŻA	
14.	WĄŻ	
15.	PLYWAK	
16.	ZBIORNIK ŚRODKA CZYSZCZĄCEGO* (WA4036)	
17.	SZCZOTKA* (WA4048)	
18.	SKŁADANE WIADERKO NA WODĘ* (WA4015)	

19. **SITKO (PATRZ RYS. E2)**
20. **TURBO DYSZA * (WA4037)**
21. **ŚCIAĞACZKA WODY ZE SPRYSKIWACZEM * (WA4050)**
22. **ZŁĄCZE DO BUTELKI * (WA4038)**
23. **ADAPTER OBROTOWO-ZWROTNY SZYBKIEGO ŁĄCZENIA * (WA4039)**
24. **SZCZOTKA OBROTOWA * (WA4042)**
25. **ÁLLÍTHATÓ MAGASNYOMÁSÚ KEFE* (WA1820 / WA1821)**
26. **RÖVID SZÓRÓSZÁR* (WA4013)**

*Nem minden készülék tartalmazza valamennyi, a fentiekben felsorolt alkatrészt.

MŰSZAKI ADATOK

Típus **WG620E WG620E.2 WG620E.4 WG620E.9 WG620E.10 (620-649 - a készülék, azaz az akkus magasnyomású mosó jelölése)**

	WG620E WG620E.2 WG620E.4 WG620E.10	WG620E.9
Névleges feszültség	20 V $\overline{\text{---}}$ Max**	
Nyomásértékek	2.4Mpa (24bar)	
Névleges nyomás	2.2Mpa (22bar)	
Max. vízhozam	120L/h	
Maximális bemenő víznyomás	0.6Mpa (6bar)	
Szívási magasság	Max. 1,5m	
A készülék súlya (szórószárral)	1.7kg	1.3kg

**Terhelés nélküli feszültség. Az akkumulátor kezdő feszültsége maximum 20 V. A névleges feszültség 18 V.

ZAJÉRTÉKEK

A-súlyozású hangnyomásszint L_{PA} : 73.8 dB(A)

A-súlyozású hangerő L_{WA} : 84.8 dB(A)

K_{PA} 2.35 dB(A)

Viseljen fülvédőt.



REZGÉSÉRTÉKEK

Tipikus súlyozott rezgés

a_{hv} = 1.339 m/s²
K = 1.5 m/s²

A hivatalos összesített rezgésszint a szerszámok összehasonlítására, illetve a kitettség előzetes felmérésére használható.

⚠ FIGYELEM: Az elektromos kéziszerszám használata során a rezgés kibocsátás eltérhet a fenti értéktől attól függően, hogy a szerszámot hogyan használják. Az érték függhet az alábbiaktól:

Hogyan használják a szerszámot, milyen anyagokat vágnak vagy fúrnak.

Az eszköz jó állapotban van-e, megfelelően karbantartják-e.

Megfelelő tartozékokat használnak-e az eszközhöz, vigyáznak-e, hogy hegyes legyen és jó állapotban maradjon.

A markolat megfelelően rögzül-e, használnak-e rezgéscsillapító tartozékokat.

A szerszámot rendeltetésszerűen, kialakításának és a jelen utasításoknak megfelelően használják-e.

Ha a szerszámot nem kezelik megfelelően, kéz-kar vibrációs szindrómát okozhat.

⚠ FIGYELEM: A pontosság érdekében az expozíciós szint becslőt értékéhez a valós használati körülmények között figyelembe kell venni a működési ciklus valamennyi elemét, így azt az időt is, amikor a szerszám ki van kapcsolva, és amikor üresjárásban működik. Ez a teljes munkaidőszak viszonylatában jelentősen csökkentheti az expozíciós szintet.

A rezgéskockázatnak való kitettséget az alábbiakkal csökkentheti:

Az eszközt jelen utasításoknak megfelelően tartsa karban, és vigyázzon a megfelelő kenésre (ahol erre szükség van). Ha rendszeresen használja az eszközt, vásároljon rezgéscsillapító tartozékokat.

Úgy tervezze meg a munkáját, hogy a magas rezgésszámú eszközök használatát igénylő feladatokat több napra ossza el.

TARTOZÉKOK

	WG620E	WG620E.2	WG620E.4	WG620E.9	WG620E.10
Tömlő (6 m)	1	1	1	1	1
Magasnyomású tisztítócső	1	1	1	1	1
Többállású szórófej	1	1	1	1	1
Akkumulátor (WA3551)	1	1	2	/	1

2 az 1-ben: Hordozható magasnyomású tisztító/szórófej

HU

Töltőkészülék (WA3880)	1	1	1	/	1
Kefe (WA4048)	/	1	1	/	/
Szappanos tartály (WA4036)	/	1	1	/	/
Összehajtható vizesveder (WA4015)	/	1	1	/	/
Palackkupak csatlakozó (WA4038)	/	1	1	/	1
Turbó permetező fej (WA4037)	/	/	/	/	/
Gumis ablakmosó vízpermetezővel (WA4050)	/	/	/	/	/
Hosszabbító szórószár (WA4012)	/	/	/	/	/
Állítható gyorscsatlakoztató adapter (WA4039)	/	/	/	/	/
Forgó tisztítókefe (WA4042)	/	/	/	/	/
Állítható magasnyomású kefe (WA1820 / WA1821)	/	/	/	/	/
Rövid szórószár (WA4013)	/	/	/	/	1

Javasoljuk, hogy a tartozékokat ugyanabból a boltból vásárolja meg, ahol a készüléket is vásárolta. További részleteket a tartozék csomagolásán talál. Kérjen segítséget és tanácsot a bolti eladóktól.

HASZNÁLATI UTASÍTÁSOK



MEGJEGYZÉS: Mielőtt a készüléket használatba venné, olvassa el figyelmesen az utasításokat.

Rendeltetés

Ezt az akkus készüléket tisztítási és öntözési munkálatok számára tervezték.

ÖSSZESZERELÉS ÉS MŰKÖDÉS

MŰVELET	FIGURE
MŰKÖDTETÉS ELŐTT	
Az akkumulátor behelyezése	Lásd az A1 ábrát
Az akkumulátor eltávolítása	Lásd az A2 ábrát

Az akkumulátor állapotának ellenőrzése
MEGJEGYZÉS: A A3 ábra csak az akku feltöltöttségi szintjét is jelző akkucsomagra vonatkozik.

Lásd az A3 ábrát

Az akkumulátor feltöltése
További részletek a töltő használati útmutatójában

Lásd az A4 és A5 ábrákat

ÖSSZESZERELÉS

A magasnyomású tisztítócső rögzítése a nagynyomású fúvókához

MEGJEGYZÉS: A csatlakoztatás során a szórószáron található két kiszögellést igazítsa a magasnyomású fúvókán található hornyokhoz, lásd a B ábrát.

Lásd a B ábrát

A többállású szórófej csatlakoztatása
MEGJEGYZÉS: Forgassa balra és jobbra a szórófejet a csatlakozás során, majd egy kicsit húzza meg, hogy meggyőződjön annak helyes és biztos rögzüléséről és pozicionálásáról.

Lásd a C ábrát

A tömlő csatlakoztatása a magasnyomású fúvókához

MEGJEGYZÉS: A tömlő csatlakoztatása után ellenőrizze a csatlakoztatás állapotát a tömlő óvatos meghúzásával. A tömlő nem jöhet le a csővégről.

Lásd a D1 és D2 ábrákat

Saját öntöző tömlőjének csatlakoztatása (opcionális)

- Távolítsa el a tömlő adapterét
- Megfelelő adapterekkel csatlakoztassa a kerti tömlőt

MEGJEGYZÉS: A készülékhez mellélt tömlőt kivéve, megfelelő adapterekkel az ön vizes tömlője is csatlakoztató a magasnyomású fúvókához.

MEGJ.: Ellenőrizze a szűrőlap jelenlétét a tömlő adapterének meghúzása előtt. Kérjük, hogy a tömlő gyorscsatlakozóját biztosan rögzítse. Másképp előfordulhat, hogy nem lesz elég víz a kívánt műveletekhez.

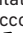


Lásd az E1, E2 és E3 ábrákat

MŰKÖDÉS

FIGYELEM: A mellélt akkumulátor nem vízmentes. Az akkumulátor meghibásodásának elkerülése végett, az elektromos szerszám használata közben óvja az akkut a nedvességtől. Használat után az elektromos kéziszerszámot és az akkut száraz helyen tárolja.

Start
MEGJEGYZÉS: Első használatkor vagy tartós tárolás után ajánlott a csapot felhelyezni, vagy néhány percig várni, amíg a levegő kiürül, vagyis a víz a tömlő mentén felemelkedik is kispriccel.

Lásd az F1, F2, F3 ábrát

<p>A szórófej mintázatának kiválasztása MEGJEGYZÉS: Válasszon egy, a munkájának megfelelő vizsgárg mintát. A 0°, 15°, 25° és 40°-os szögben spriccoló vizsgárgak tisztításhoz valók, míg a  mintájú vizsgárg öntözéshez való.</p> <p> FIGYELEM: Bekapcsolt/akkusival táplált készülékkel ne cserélje a vizsgárg mintáját.</p>	Lásd a G ábrát
<p>Tisztítás  FIGYELEM: A készüléket ne csatlakoztassa mocskos, rozsdás, sáros vagy korrozív vizet tartalmazó vízellátási rendszerekre (az ablaktisztító folyadékokat, növényvédő és növénytermesztő folyadékokat is beleértve, stb.) MEGJEGYZÉS: Tengervízzel való használat után a gép megfelelő karbantartása szükségessé teszi a termék édesvízzel való leöblítését.</p>	Lásd a H és I ábrákat
Öntözés	Lásd a G ábrát

A TARTOZÉKOK CSATLAKOZTATÁSA

Jelen termékhez olyan tartozékokat is mellékeltek, amelyek különféle alkalmazásokhoz használhatók. **Soha nem próbáljon tisztítási műveleteket végezni felszerelt szórószár vagy tartozékok nélkül.**

1. Szappanos tartály (WA4036, külön árulják)

A szappanos tartály szappanhabot szolgáltat a szennyezősek erőteljesebb eltávolításához. Ezt a magasnyomású fúvókával vagy a hosszabbító szórószárral együtt használják. (Lásd az K1 és K2 ábrákat)

2. Kefe (WA4048, külön árulják)

A kefe autók, csónakok, motorkerékpárok, stb. tisztításához használható. Ezt a magasnyomású fúvókával vagy a hosszabbító szórószárral együtt használják. (Lásd az L1 és L2 ábrákat)

3. Összehajtható vizesveder (WA4015, külön árulják)

Az összehajtható vizesvederrel megoldhatja a távolabb eső vízcscsappal való összeköttetést. Amikor a vederre nincs szükség, az összehajtható. (Lásd az M1 és M2 ábrákat)

4. Turbó permetező fej (WA4037, külön árulják)

A turbó permetező fej 360°-ban forgó vízpermetet szolgáltat, és ezért ezzel egységnyi idő alatt nagyobb felületet lehet megtisztítani, mint a 0°-ban elforduló (azaz fix) permetező fejjel. Ez a fej a magasnyomású beállítással használható. (Lásd a N ábrát)

5. Gumis ablakmosó vízpermetezővel (WA4050, külön árulják)

A gumis ablakmosót gyorscsatlakozóval lehet rögzíteni a szerszámr. Ezzel a tartozékkal vizet lehet permetezni az üveg vagy a fajanszozott felületekre vagy vízceppeket lehet letörölni rólok. Ez a tartozék talál a HydroShot magasnyomású tisztítóhoz vagy a hosszabbító szárhoz. (Lásd az O1, O2, O3 és O4 ábrákat)

6. Palackkupak csatlakozó (WA4038, külön árulják)

A palack kupakját csatlakoztató tartozék segítségével a szerszámot közvetlenül is hozzá lehet fogni a kb. 1 collos átmérőjű szájjal rendelkező 2 literes palackok többségéhez. (MEGJ.: Lehet azonban, hogy ez a tartozék nem talál az összes szódás- vagy vizespalackhoz) (Lásd az P1, P2 és P3 ábrákat)
FIGYELMEZTETÉS: Addig ne szerelje fel a palack kupakját csatlakoztató tartozékot, ameddig az nincs kész a használatra. Ha a gép egy felületen fekszik és a palack fel van szerelve, a tartozékok nyílásain folyadék fog csepegni.

7. Forgó gyorscsatlakoztatási adapter (WA4039, külön árulják)

A forgó gyorscsatlakoztatási adapternek köszönhetően a magasnyomású tisztítócsúcsokat akár 180°-ban is, minden irányban el lehet forgatni. Ez egy ideális tartozék a nehezen hozzáférhető helyek közvetlen közelébevaló tisztítás számára. Ez talál a HYDROSHOT™ magasnyomású tisztítóba és a többsugarú fúvókához (Lásd az Q1 és Q2-es ábrákat)

8. Forgó tisztítókefe (WA4042, külön árulják)

A forgó tisztítókefe könnyedén rögzül a készülékbe, és ennek segítségével érzékeny felületeket, valamint szűk helyeket lehet tisztítani. Ez talál a hosszabbító szárral ellátott vagy anélkül használt HYDROSHOT™ magasnyomású tisztítóba. (Lásd az R ábrát)

9. Állítható magasnyomású mosókefe (WA1820 / WA1821, külön árulják)

A vízzel forgatott mosókefe könnyedén rögzül a készülékbe és kemény/durva felületek tisztítására tervezték. Ez talál a hosszabbító szárral ellátott vagy anélkül használt HYDROSHOT™ magasnyomású tisztítóba. (Lásd a S, az T és a U ábrákat). A puha szálás fejet (WA1820) érzékeny felületekhez, míg a kemény szálás fejet (WA1821) durva felületek tisztításához lehet használni (nem ajánljuk autók tisztításához).

KARBANTARTÁS

Mindennemű beállítás, javítás vagy karbantartás előtt vegye ki az akkut az akkurekeszből.

Minden egyes használat előtt ellenőrizze a terméket a sérült vagy kopott alkatrészek felfedezéséért. Amennyiben ilyen alkatrészeket talál, ne használja a készüléket. Lépjen kapcsolatba a forgalmazóval vagy a gyártóval az eredeti cserealkatrészek beszerzéséért.

A tömlő szűrőjének karbantartása

A szűrőt vegye ki a tömlőből, és a szűrőből pedig vegye ki a szitát. A két alkotóelem összeszerelése és visszahelyezése előtt öblítse le ezeket tiszta vízzel. (Lásd a V1 és V2 ábrákat)

2 az 1-ben: Hordozható magasnyomású tisztító/szórófej

HU

Szűrő képernyő karbantartása

Távolítsa el a tömlőadaptert a szűrő beszerzéséhez. (Lásd az E1, E2 ábrát) Az összeszerelés előtt öblítse le vízzel.

MEGJEGYZÉS: Húzza meg a tömlőadaptert, amikor meghúzza. Ellenkező esetben előfordulhat, hogy a normál működéshez nem lesz víz.



FIGYELEM: Minden egyéb szolgálatást egy hivatalos szervizképviselőnek kell végeznie.

TISZTÍTÁS/TÁROLÁS

Tárolás előtt teljesen ürítse ki/engedje le a vizet a készülékből és a tömlőből.

A készülék/kisgép öntött műanyag házát puha kefével és tiszta ronggyal tisztítsa. Ne használjon vizet, oldó- vagy tisztítószeret. A gyerekek kezeügyétől távol eső, biztonságos, száraz helyen tárolja. A készülék tetejére ne helyezzen semmilyen tárgyat.

A készüléket és tartozékait fagytot védett helyen tárolja.

KÖRNYEZETVÉDELEM



A leselejtezett elektromos készülékek nem dobhatók a háztartási hulladék közé. Ha a közelben van elektromos hulladékokat gyűjtő központ, vigye oda a készüléket. Az újrahasznosítási lehetőségekről tájékozódjon a helyi hatóságoknál vagy a kereskedőnél.

MEGFELELŐSÉGI NYILATKOZAT

A gyártó,
Positec Germany GmbH
Grüner Weg 10, 50825 Cologne, Germany

Kijelenti, hogy a termék,
Leírás **Akkus magasnyomású mosó**
Típus **WG620E WG620E.2 WG620E.4 WG620E.9**
WG620E.10 (620-649 – a készülék, azaz az akkus
magasnyomású mosó jelölése)
Rendeltetés **Tisztítás és öntözés**

Megfelel a következő irányelveknek:

2006/42/EC, 2014/30/EU,
2011/65/EU&(EU)2015/863,
2000/14/EC módosítva: 2005/88/EC

2000/14/EC módosítva: 2005/88/EC:

- Megfelelőség-ellenőrző eljárás az **V. függelék értelmében**

- Mért hangerő-szint **84,8 dB**

- Garantált hangerő-szint **87 dB**

Az alábbi normáknak:

EN 60335-1, EN 60335-2-54, EN 62233,
EN ISO 3744, EN 55014-1, EN 55014-2

A műszaki dokumentáció összeállítására jogosult személy:

Név Marcel Filz

Cím Positec Germany GmbH Grüner Weg 10, 50825 Cologne, Germany

73



2020/11/23

Allen Ding

Helyettes főmérnöke, Tesztelés és minősítés
Positec Technology (China) Co., Ltd
18, Dongwang Road, Suzhou Industrial
Park, Jiangsu 215123, P. R. China

**2 az 1-ben: Hordozható
magasnyomású tisztító/szórófej**

HU

HIBAKERESÉS

Tünetek	Lehetséges ok	Elhárítás módja
A készülék bekapcsol, de egyáltalán nem szív vizet vagy nincs elég nyomás.	A víz felületéhez képest túl magasra helyezett magasnyomású fúvóka.	Engedje 5 ft/1,5 m-nél alacsonyabb szintre a készüléket.
	A tömlő szűrőjének eltömődése.	Vegye ki a tömlő szűrőjét és öblítse le tiszta vízzel. (Lásd az V1 és V2 ábrákat)
	A felhasználó kerti locsolójának tömlőjének helytelen csatlakoztatása a készülékhez.	Vizsgálja meg és csatlakoztassa újra a kerti tömlőt. (Lásd a E1, E2, E3 ábrát)
	A tömlő adapterének meglazulása.	Húzza meg a tömlő adapterét egy csavarkulccsal.
	Hiányzó szűrőlap. (Lásd a E2 ábrát)	Lépjen kapcsolatba a Worx cég szerviz képviselőjével egy új szűrőlap beszerzése érdekében.
	Az alacsony kinti hőmérsékletek miatt elfagyott szivattyú, tömlő vagy egyéb alkatrészek.	Várjon addig, amíg a szivattyú, a tömlő és az egyéb részek fagyása felenged.
Összegubancolódott tömlő.	Egyenesítse ki a tömlőt.	
A többállású szórófej szivárog.	A szórófej rosszul permetez.	Győződjön meg arról, hogy a szórófej mintájának jele egybeesik a készüléken található jelzéssel.
	Meglazult a többállású szórófej rögzítő csapszege.	Húzza meg egy hexagonális kulccsal.
Váratlanul megnő a víz nyomása.	Eltömődött a többállású szórófej.	Cserélje vadonatújra a többállású szórófejet.
A készülék leállítás után is jön a víz.	A készülék kikapcsolása után víz maradt a szórószárban és a szivattyúban.	Tárolás előtt teljesen engedje ki a készülékben maradt vizet.
A szappantartályból semmilyen tisztítószer nem jön.	Eltömődött a szappantartály.	Mossa meg vízzel.
A készülék nem kapcsolható be.	Rosszul csatlakoztatták az akkucsomagot.	Ismételje meg az akkucsomag behelyezését.
	Lemerült az akkumulátor.	Cserélje vadonatújra az akkucsomagot vagy töltsse fel a régit.
	Hibás az akkumulátor.	Cserélje ki az akkumulátort.
A készülék üzemi nyomása ingadozó.	A készülék levegőt szívott be.	Ellenőrizze a tömlő adaptere és a tömlő közötti csatlakoztatást.
	Alacsony nyomást állítottak be.	Semmit sem kell tenni.
A készülék automatikusan leáll.	Az akkucsomagban nincs töltés.	Cserélje vadonatújra az akkucsomagot vagy töltsse fel a régit.
	A többállású szórófej eltömődött. Aktiválódott a túlzott áramerősség elleni védelem.	Szerelje le a többállású szórófejet és kapcsolja be a készüléket. Ha a készülék normálisan működik, cserélje vadonatújra a többállású szórófejet.

SECURITATEA PRODUSULUI AVERTISMENTE GENERALE DE SIGURANȚĂ

AVERTISMENT Citiți toate avertismentele

**de siguranță și toate
instrucțiunile.** *În caz de
nerespectare a
avertismentelor și
instrucțiunilor, există riscul
electrocutării, izbucnirii
incendiilor și/sau al
accidentării grave.*

Păstrați toate avertismentele și instrucțiunile pentru consultări ulterioare.

- Acest aparat electric poate fi utilizat de persoane cu capacități fizice, senzoriale și psihice reduse sau de persoane neexperimentate și fără pregătire specifică numai dacă sunt supravegheați de cineva sau numai dacă au fost instruiți cu privire la utilizarea în siguranță a aparatului și au înțeles riscurile care le comportă utilizarea acestuia. Copiii nu trebuie lăsați să se joace cu acest aparat.
- Această instalație poate fi utilizată doar cu unitatea de alimentare care a fost livrată cu această instalație

REGULI SUPLIMENTARE PRIVIND SIGURANȚA

1. Lichidul nu trebuie orientat spre echipamentele care includ componente electrice.
2. Îndepărtați sau deconectați acumulatorul după utilizare și înainte operațiunilor de întreținere a aparatului, efectuate de către utilizator.
3. Atât timp cât acumulatorul este conectat la aparat, acesta nu trebuie lăsat nesupravegheat.
4. Utilizarea aparatul se va întrerupe imediat dacă a fost scăpat pe jos, prezintă semne de uzură sau scurgeri.
5. Dacă a fost alimentat electric, aparatul nu trebuie lăsat la îndemâna copiilor.

AVERTISMENTE PRIVIND SIGURANȚA PENTRU ACUMULATOR

- a) **Nu demontați, deschideți sau rupeți elementele sau acumulatorul.**
- b) **Nu scurtcircuitați un acumulator. Nu depozitați acumulatorii la întâmplare într-o cutie sau într-un sertar unde s-ar putea scurtcircuita între ele sau prin materiale conductoare.** Când bateria nu






este în uz, țineți-o la distanță de alte obiecte metalice, cum sunt agrafele pentru hârtie, monede, cuie, șuruburi sau alte obiecte metalice mici, care pot crea contact între bornele acesteia. Scurtcircuitarea bornelor bateriei poate cauza arsuri sau incendii.


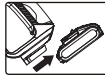


- c) Nu expuneți acumulatorul la căldură sau foc. Evitați depozitarea în lumina directă a soarelui.**
- d) Nu supuneți acumulatorul la șocuri mecanice.**
- e) În cazul scurgerii acumulatorului, aveți grijă ca lichidul să nu intre în contact cu pielea sau ochii. În cazul contactului, spălați zona afectată cu apă din belșug și solicitați asistență medicală.**
- f) Consultați medicul imediat dacă ați înghițit un element sau un acumulator.**
- g) Mențineți acumulatorul curat și uscat.**
- h) Ștergeți terminalele acumulatorului cu o cârpă curată și uscată dacă se murdăresc.**
- i) Acumulatorul trebuie încărcat înainte de utilizare. Consultați întotdeauna aceste instrucțiuni și utilizați procedura de încărcare corectă.**
- j) Nu încărcați acumulatorul atunci când nu îl utilizați.**
- k) După perioade extinse de depozitare, ar putea fi necesară încărcarea și descărcarea acumulatorului de mai multe ori pentru a obține performanțe maxime.**
- l) Acumulatorul oferă cele mai bune performanțe când este operat la temperatura normală a camerei ($20^{\circ}\text{C} \pm 5^{\circ}\text{C}$).**
- m) Când depuneți la deșeurii acumulatorii, păstrați separat acumulatorii unor sisteme electrochimice diferite.**
- n) Reîncărcați folosind doar încărcătorul specificat de Worx. Un încărcător potrivit pentru un tip de cartuș de acumulatori poate provoca riscul incendierii dacă este folosit pentru un alt tip de cartuș de acumulatori.**
- o) Nu utilizați acumulatoare care nu sunt concepute pentru a fi utilizate cu acest echipament.**
- p) Nu lăsați acumulatorul la îndemâna copiilor.**
- q) Păstrați documentația originală a produsului pentru consultări ulterioare.**
- r) Îndepărtați acumulatorul din echipament atunci când**

nu îl utilizați.

- s) Eliminați acumulatorul în mod corespunzător.**
- t) Nu introduceți în aparat acumulatori care provin de la producători diferiți sau cu capacități, dimensiuni sau tipuri diferite.**
- u) Nu scoateți pachetul de acumulatori din ambalajul lui original decât în momentul premergător utilizării acestuia.**
- v) Țineți cont de polaritatea (+) și (-) indicate pe acumulator pentru asigurarea utilizării corecte a acestuia.**

SIMBOLURI

	Avertisment
	Citiți manualul de utilizare
	Produsele electrice nu trebuie depuse la deșeurile împreună cu gunoiul menajer. Vă rugăm să depuneți produsele electrice la unitățile de reciclare existente. Consultați-vă cu autoritățile locale sau cu distribuitorul pentru sfaturi privind reciclarea.
	Nu aruncați acumulatorii. Returnați acumulatorii consumați la punctul local de colectare sau reciclare.
	Nu aruncați în foc.

	Nu expuneți la ploaie sau apă.
	Deconectați acumulatorul de la priza de alimentare înainte de a efectua orice operațiuni de reglare, service sau întreținere.
	Deblocare
	Blocare

LISTA PIESELOR COMPONENTE

1. BUTON DE BLOCARE
2. BUTON DE BLOCARE
3. ACUMULATOR*
4. COMUTATOR PORNIT/OPRIT (ON/OFF)
5. ADAPTOR FURTUN
6. DUZĂ DE PRESIUNE
7. TIJĂ DE CURĂȚARE CU PRESIUNE
8. ADAPTOR PT. DUZĂ
9. CAP DE STROPIRE MULTIPLU
10. CUI DE FIXARE
11. CONECTOR FURTUN
12. FILTRU FURTUN
13. CLEMĂ PENTRU FURTUN
14. FURTUN
15. FLOTOR
16. RECIPIENT PT. SĂPUN* (WA4036)
17. PERIE* (WA4048)
18. GĂLEATĂ PLIABILĂ* (WA4015)
19. ECRAN DE FILTRARE (CONSULTAȚI FIG. E2)
20. CAP DE STROPIRE TURBO* (WA4037)
21. CURĂȚĂTOR GEAM CU DISPERSOR DE APĂ* (WA4050)

22. RACORD PENTRU CAPAC DE RECIPIENT* (WA4038)

23. ADAPTOR PIVOTANT PENTRU CONECTARE RAPIDĂ* (WA4039)

24. PERIE ROTATIVĂ DE CURĂȚARE* (WA4042)

25. SPĂLĂTOR CU PRESIUNE REGLABIL* (WA1820 / WA1821)

26. TIJĂ SCURTĂ* (WA4013)

*Nu toate accesoriile ilustrate sau descrise sunt incluse în livrarea standard.

DATE TEHNICE

Tip **WG620E WG620E.2 WG620E.4 WG620E.9 WG620E.10 (620-649 - denumirea uneltei, respectiv a spălătorului cu presiune acționat de acumulator)**

	WG620E WG620E.2 WG620E.4 WG620E.10	WG620E.9
Tensiune	20 V Max**	
Max. presiune	2.4Mpa (24bar)	
Presiune nominală	2.2Mpa (22bar)	
Debit maxim apă	120 L/h	
78 Presiunea maximă a apei la intrare	0.6Mpa (6bar)	
Înălțimea de aspirare	Max. 1,5 m	
Greutate uneltă (cu tub prelungitor)	1.7kg	1.3kg

**Tensiune măsurată în gol. Tensiunea inițială a acumulatorului atinge maximum 20 volți. Tensiunea nominală este de 18 volți.

INFORMAȚII PRIVIND ZGOMOTUL

Presiune sonoră ponderată A L_{pA} : 73.8 dB(A)

Putere sonoră ponderată A L_{WA} : 84.8 dB(A)

K_{pA} 2.35 dB(A)

Purtați echipament de protecție pentru urechi.



INFORMAȚII PRIVIND VIBRAȚIILE

Vibrație ponderată tipică

$a_h = 1.339 \text{ m/s}^2$
 $K = 1.5 \text{ m/s}^2$

Valoarea totală declarată a vibrațiilor poate fi utilizată pentru compararea unei unelte cu o alta și, de asemenea, poate fi utilizată în cazul unei evaluări preliminare a expunerii.

AVERTISMENT: Valoarea emisiilor de vibrații în timpul utilizării efective a unelei electrice poate diferi de valoarea nivelului declarat, în funcție de modul în care unealta este utilizată, în funcție de următoarele exemple și alte variații privind utilizarea unelei:

Modul în care este utilizată unealta și materialele tăiate sau găurite.

Unealta să fie într-o stare bună și întreținută corespunzător.

Utilizarea accesoriului corect pentru uneltă, fiind ascuțit și în bună stare de funcționare.

Strângerea cu fermitate a mânerelor și utilizarea oricăror accesorii anti-vibrații.

Iar unealta este utilizată conform destinației de utilizare și acestor instrucțiuni.

Această uneltă poate cauza sindromul vibrației mâinii-brățului dacă nu este utilizată corespunzător.

AVERTISMENT: Pentru precizie, o estimare a nivelului de expunere în condițiile de utilizare reale trebuie de asemenea să țină cont de toate componentele ciclului de operare, precum momentele când unealta este oprită și când merge în gol, dar nu efectuează operația propriu-zisă. Acest lucru ar putea reduce semnificativ nivelul de expunere pe durata totală de lucru.

Ajută la reducerea riscului de expunere la vibrații.

Întrețineți unealta în conformitate cu aceste instrucțiuni și mențineți-o bine lubrifiată (dacă este cazul).

Dacă unealta va fi utilizată în mod regulat, investiți în accesorii anti-vibrații.

Planificați-vă lucrul pentru a desfășura utilizarea uneltelor cu nivel ridicat de vibrații de-a lungul mai multor zile.

ACCESORII

	WG620E	WG620E.2	WG620E.4	WG620E.9	WG620E.10
Furtun (6 m)	1	1	1	1	1
Tijă de curățare cu presiune	1	1	1	1	1
Cap de stropire multiplu	1	1	1	1	1

**2 în 1: Curățător cu presiune/
Stropitoare portabilă**

RO

Acumulator (WA3551)	1	1	2	/	1
Încărcător (WA3880)	1	1	1	/	1
Perie (WA4048)	/	1	1	/	/
Recipient pt. săpun (WA4036)	/	1	1	/	/
Găleată pliabilă (WA4015)	/	1	1	/	/
Racord pentru capac de recipient (WA4038)	/	1	1	/	1
Cap de stropire turbo (WA4037)	/	/	/	/	/
Curățător geam cu dispersor de apă (WA4050)	/	/	/	/	/
Tijă de prelungire (WA4012)	/	/	/	/	/
Adaptor pivotant pentru conectare rapidă (WA4039)	/	/	/	/	/
Perie rotativă de curățare (WA4042)	/	/	/	/	/
Spălător reglabil cu presiune (WA1820 / WA1821)	/	/	/	/	/
Tijă scurtă (WA4013)	/	/	/	/	1

Vă recomandăm să achiziționați accesoriile de la același magazin de la care ați cumpărat unealta. Consultați ambalajul accesoriului pentru detalii suplimentare. Personalul din magazin vă poate oferi asistență și sfaturi.

INSTRUCȚIUNI DE UTILIZARE





NOTĂ: Înainte de a utiliza unealta, citiți cu atenție manualul de instrucțiuni.


Destinația de utilizare

Această unealtă este destinată pentru curățare și stropire.

ASAMBLARE ȘI OPERARE

AȚIUNE	FIGURE
ÎNAINTE DE OPERAȚIUNEA	
Instalarea acumulatorului	Consultați fig. A1

Scoaterea acumulatorului	Consultați fig. A2
Verificarea stării acumulatorului NOTĂ: Fig. A3 se referă numai la acel pachet de acumulare care are și indicator luminos al nivelului de încărcare.	Consultați fig. A3
Încărcarea acumulatorului Mai multe detalii în ghidul de utilizare al încărcătorului	Consultați fig. A4, A5
ASAMBLARE	
Atașați tija de curățare cu presiune mare la duza de putere NOTĂ: În timpul fixării tijei, cele două protuberanțe ale tijei trebuie aliniate cu canelurile duzei de presiune, vezi fig. B.	Consultați fig. B
Atașarea capului de stropire multiplu  NOTĂ: În timpul operațiunii de atașare, rotiți capul de stropire înspre stânga și dreapta pentru a vă asigura că acesta s-a așezat în locașul destinat acestuia. Trageți puțin de cap pentru a verifica fixarea sa corectă.	Consultați fig. C
Atașarea furtunului la duza de presiune NOTĂ: După atașarea furtunului verificați calitatea fixării acestuia trăgând un pic de furtun. Acesta nu trebuie să scape din inelul de fixare.	Consultați fig. D1, D2
Atașarea furtunului propriu (opțional) 1. Îndepărtați adaptorul furtunului 2. Atașați furtunul de grădină cu conectori potriviți NOTĂ: Exceptând furtunul furnizat, dvs. puteți conecta duza de presiune și la furtunul dvs. de apă dacă folosiți niște conectori potriviți. NOTĂ: Verificați prezența ecranului de filtrare înainte de a strânge adaptorul furtunului. Vă rugăm să strângeți bine adaptorul rapid pentru furtun. În caz contrar s-ar putea ca apa furnizată să nu fie destulă unei funcționări corecte.	Consultați fig. E1, E2, E3
OPERAȚIUNE  AVERTIZARE: Acumulatorul furnizat nu este rezistent la apă. Pentru a evita riscul defectării acumulatorului, protejați-l de apă în timpul utilizării sculei electrice. După utilizare, stocați scula electrică și acumulatorul într-un loc uscat.	
Start NOTĂ: La prima utilizare sau după depozitare pe termen lung, se recomandă să atașați robinetul sau să așteptați câteva minute pentru a goli aerul până când apa urcă de-a lungul furtunului și se pulverizează.	Consultați fig. F1, F2, F3

<p>Selectarea modelului jetului capului de stropire</p> <p>NOTĂ: Alegeți modelul jetului în funcție de munca dvs. Modelele de jet la 0°, 15°, 25° și 40° sunt potrivite pentru curățare, iar jetul care are simbolul  se potrivește cel mai bine la udarea plantelor.</p> <p>AVERTISMENT: Nu schimbați modelul jetului dacă aparatul este alimentat electric.</p>	<p>Consultați fig. G</p>
<p>Curățarea</p> <p>AVERTISMENT: Nu conectați mașina la surse de apă cu apă murdară, cu rugină, nămolosă sau corozivă (incluzând aici și lichidele de curățat geamuri, nutrienții pentru plante sau fertilizantii, etc.).</p> <p>NOTĂ: Dacă în mașină s-a utilizat apa mării, întreținerea corespunzătoare a acesteia impune clătirea ei cu apă dulce.</p>	<p>Consultați fig. H, I</p>
<p>Udatul</p>	<p>Consultați fig. J</p>

ATAȘAREA ACCESORIILOR

Acest produs a fost livrat cu un anumit număr de accesorii care ajută la efectuarea unor lucrări specifice. **Nu încercați să începeți vreo operațiune de curățare fără să aveți atașate tije sau accesorii potrivite.**

1. Recipient pentru săpun (WA4036, vândut separat)

Recipientul cu săpun furnizează spuma de detergent necesară curățării în profunzime a mizeriei. Acesta se utilizează împreună cu duza de presiune sau cu tija de prelungire. (Consultați fig. K1 și K2)

2. Perie (WA4048, vândut separat)

Peria este destinată curățării automobilelor, bărcilor, motocicletelor, etc. Ea se utilizează împreună cu duza de presiune sau cu tija de prelungire. (Consultați fig. L1 și L2)

3. Găleată de apă pliabilă (WA4015, vândut separat)

Găleata de apă pliabilă vă permite accesul la sursa de apă chiar dacă vă aflați departe de ea.

Atunci când nu este utilizată, aceasta se poate plia pentru o depozitare mai ușoară. (Consultați fig. M1 și M2)

4. Cap de stropire turbo (WA4037, vândut separat)

Capul de stropire turbo dispersează apa pe o rază de 360° și astfel într-o perioadă egală de timp se curăță o suprafață mai mare decât cu capul fix, cu rotire la 0°. Se recomandă utilizarea setării Presiune mare (vezi fig. N).

5. Curățător geam cu dispersor de apă (WA4050, vândut separat)

Curățătorul de geamuri se atașează la unealtă cu un racord rapid. Acesta dispersează apă sau șterge picăturile de apă de pe geamuri și de pe suprafețele faianțate. Potrivit mașinii de curățat cu presiune HydroShot sau tije de prelungire. (Vezi fig. O1, O2, O3 și O4).

6. Racord pentru capac de recipient (WA4038, vândut separat)

Accesorii numit Racord pentru capac de recipient permite o conectare directă a sculei electrice la gura de cca 1" a majorității recipientelor de 2 litri. (NOTĂ: S-ar putea ca acest accesoriu să nu se potrivească tuturor recipientelor de apă și sifon). (Vezi fig. P1, P2 și P3)

AVERTISMENT: Nu instalați accesorii numit Racord pentru capac de recipient până când nu este gata de utilizare. Dacă a fost instalat un recipient și dacă mașina este așezată pe o suprafață plană, prin orificiile accesoriilor va apărea un jet de lichid.

7. Adaptor pivotant pentru conectare rapidă (WA4039, vândut separat)

Adaptorul pivotant pentru conectare rapidă permite ca vârful de curățare cu presiune să fie reglabile în orice direcție chiar și cu un unghi de 180°. Accesoriu ideal pentru curățarea în jurul zonelor greu accesibile. Potrivit pentru curățătorul cu presiune HYDROSHOT™ și duzei cu dispersie multiplă (Consultați fig. Q1 și Q2)

8. Perie de curățare rotativă (WA4042, vândut separat)

Peria de curățare rotativă se fixează ușor în unealtă pentru a curăța suprafețe sensibile și în jurul spațiilor înguste. Potrivit pentru curățătorul cu presiune HYDROSHOT™, cu sau fără tija de prelungire atașată. (Consultați fig. R)

9. Spălător reglabil cu presiune (WA1820 / WA1821, vândut separat)

Accesorii numit spălător rotativ acționat de apă se fixează ușor în unealtă și este potrivit curățării suprafețelor dure. Potrivit pentru curățătorul cu presiune HYDROSHOT™, cu sau fără tija de prelungire atașată. (Consultați fig. S, T și U). Capul moale al spălătorului (WA1820) se pretează la suprafețe sensibile, iar spălătorul cu păr aspru (WA1821) se pretează la curățarea suprafețelor dure (nerecomandată pentru automobile).

ÎNȚREȚINERE

Deconectați acumulatorul de la priza de alimentare înainte de a efectua orice operațiuni de reglare, service sau întreținere.

Inspectați produsul înainte de fiecare utilizare pentru a descoperi eventuale deteriorări sau piese uzate. Opritiți imediat utilizarea unelei electrice dacă există piese deteriorate. Luați legătura cu furnizorul sau cu producătorul pentru a obține piese de schimb originale.

Întreținerea filtrului din furtun

Scoateți filtrul din furtun și scoateți din sita din filtru. Clățiți bine cu apă elementele filtrului înainte de reasamblare. (Consultați fig. V1 și V2)

Întreținere ecran Filtru

Scoateți adaptorul furtunului pentru a obține filtrul. (Consultați Fig. E1, E2) Clățiți cu apă înainte de reasamblare.

NOTĂ: Strângeți adaptorul furtunului atunci când îl strângeți. În caz contrar, este posibil să nu puteți extrage apă pentru funcționare normală.

 **AVERTISMENT: Orice alte servicii ar trebui să fie efectuate de un reprezentant de service autorizat.**

CURĂȚAREA/DEPOZITAREA

Înainte de stocare, drenați toată apa din aparat și din furtun.

Curățați carcasa din plastic turnat a uneltei electrice cu o perie moale și o cârpă curată. Nu utilizați niciodată apă, solvenți sau detergenți. Păstrați într-un loc uscat și sigur, ferit de accesul copiilor. Nu amplasați alte obiecte pe mașină.

Stocați aparatul și accesoriile sale în loc ferit de îngheț.

PROTECȚIA MEDIULUI



Produsele electrice nu trebuie aruncate în gunoiul menajer. Vă rugăm să depuneți produsele electrice la

unitățile de reciclare existente. Consultați-vă cu autoritățile locale sau cu distribuitorul pentru sfaturi privind reciclarea.

DECLARAȚIE DE CONFORMITATE

Noi,
Positec Germany GmbH
Grüner Weg 10, 50825 Cologne, Germany

Declarăm că produsul,
Descriere **Spălător acționat de acumulator**
Tip **WG620E WG620E.2 WG620E.4 WG620E.9**
WG620E.10 (620-649 - denumirea uneltei, respectiv a spălătorului cu presiune acționat de acumulator)
Funcție **Curățare și stropire**

Respectă următoarele Directive,
2006/42/EC, 2014/30/EU,
2011/65/EU&(EU)2015/863,
2000/14/EC modificată prin 2005/88/EC

2000/14/EC modificată prin 2005/88/EC:

- Procedură de evaluare a conformității conformă cu
Anexa V

- Nivel de putere sonoră măsurat **84,8 dB**

- Nivel de putere sonoră garantat declarat **87 dB**

Se conformează standardelor
EN 60335-1, EN 60335-2-54, EN 62233,
EN ISO 3744, EN 55014-1, EN 55014-2

Persoana autorizată să compileze fișierul tehnic,

Denumire Marcel Filz

Adresă Positec Germany GmbH Grüner Weg 10,
50825 Cologne, Germany

81



2020/11/23

Allen Ding

Adjunct Inginer Șef, Testare și certificare
Positec Technology (China) Co., Ltd
18, Dongwang Road, Suzhou Industrial
Park, Jiangsu 215123, P. R. China

DETECTAREA DEFECȚIUNILOR

Simptome	Cauză posibilă	Remediere
Deși aparatul este pornit, acesta nu furnizează apă sau presiunea jetului de apă este insuficientă.	Duza de presiune se află la o înălțime prea mare față de suprafața sursei de apă.	Coborâți aparatul la o înălțime mai mică de 5 ft/1,5 m.
	Filtrul furtunului este blocat.	Scoateți filtrul furtunului și clătiți-l cu apă curată. (Consultați fig. V1 și V2)
	Furtunul de stropire a grădinii este conectat incorect la aparat.	Verificați și atașați din nou furtunul de stropire a grădinii. (Consultați fig. E1, E2, E3)
	S-a slăbit fixarea adaptorului furtunului.	Strângeți adaptorul furtunului cu o cheie potrivită.
	Lipsă ecran de filtrare. (Consultați fig. E2)	Luați legătura cu service-ul autorizat Worx pentru a procura un ecran de filtrare nou.
	Pompa, furtunul sau alte părți componente ale aparatului au înghețat din cauza temperaturilor exterioare foarte scăzute.	Așteptați dezghețarea pompei, furtunului și a părților componente înghețate.
	Încălcirea furtunului.	Întindeți furtunul.
Scapă apă pe la capul de stropire multiplu.	Cap de stropire care stropiște necorespunzător.	Asigurați-vă că simbolul modului de stropire de pe capul de stropire este aliniat cu semnul de pe aparat.
	S-a slăbit cuiul de fixare a capului de stropire multiplu.	Strângeți-l cu o cheie hexagonală.
Presiunea apei are creșteri bruște.	S-a blocat capul de stropire multiplu.	Înlocuiți-l cu un cap de stropire multiplu nou.
Aparatul furnizează apă și după oprirea lui.	Există apă în tija de prelungire și pompă chiar și după oprirea aparatului.	Înainte de stocare, drenați toată apa din aparat.
Rezervorul de săpun nu furnizează detergent.	Rezervor de săpun blocat.	Curățați-l cu apă curată.
Aparatul nu poate fi pornit.	Blocul de acumuloare este atașat greșit.	Reinstalați blocul de acumuloare.
	Blocul de acumuloare este descărcat.	Înlocuiți-l cu un bloc nou de acumuloare sau reîncărcați blocul de acumuloare actual.
	Acumulator defect.	Înlocuiți acumulatorul.
Presiunea debitată de aparat este inegală.	Aparatul a aspirat aer.	Verificați conexiunea dintre adaptorul furtunului și furtun.
	A fost setată o presiune joasă.	Nu trebuie întreprins nimic.
Aparatul se oprește automat.	Blocul acumuloarelor este descărcat.	Înlocuiți-l cu un bloc nou de acumuloare sau reîncărcați blocul de acumuloare actual.
	Capul de stropire multiplu este blocat. S-a activat protecția împotriva supraîncălzirii.	Îndepărtați capul de stropire multiplu și porniți aparatul. Dacă aparatul funcționează normal, înlocuiți capul de stropire multiplu cu unul nou.

BEZPEČNOST VÝROBKU VŠEOBECNÉ BEZPEČNOSTNÍ POKYNY

 **VAROVÁNÍ: Přečtěte si všechna bezpečnostní varování a všechny pokyny.**

Nebudete-li dodržovat uvedená varování a pokyny, může dojít k úrazu elektrickým proudem, požáru nebo vážným zraněním.

Uschovejte všechna varování a pokyny pro budoucí odkazy.

- Toto zařízení může být použito osobami se sníženými fyzickými, smyslovými nebo duševními schopnostmi, nebo s nedostatkem zkušeností a znalostí, pokud byl těmto osobám stanoven dohled, nebo pokud jim byly poskytnuty pokyny týkající se použití tohoto zařízení bezpečným způsobem a pokud chápou rizika spojená s použitím tohoto zařízení. S tímto zařízením si nesmí hrát děti.
- Toto zařízení může být použito pouze s napájecí jednotkou, která byla dodána s tímto zařízením.

DOPLŇUJÍCÍ BEZPEČNOSTNÍ ZÁSADY

1. Kapalina z tohoto zařízení nesmí být stříkána na

vybavení obsahující elektrické komponenty.

2. Po použití a před prováděním uživatelské údržby vyjměte z tohoto zařízení baterii nebo ji odpojte.
3. Je-li v tomto zařízení baterie, zařízení nesmí být ponecháno bez dozoru.
4. Toto zařízení nesmí být používáno, došlo-li k jeho pádu, jsou-li na něm viditelné známky poškození nebo dochází-li k únikům z tohoto zařízení.
5. Je-li toto zařízení napájeno, zabraňte přístupu dětí k tomuto zařízení.

Bezpečnostní varování týkající se baterií

- a) **Nepokoušejte se demontovat, rozebírat nebo rozřezávat baterie nebo její články.**
- b) **Neprovádějte zkratování baterie. Neukládejte baterie nahodile v krabicích nebo v zásuvkách, kde by mohlo dojít k jejich vzájemnému zkratování nebo k zkratování způsobenému jinými předměty.** Není-li baterie používána, udržujte ji v bezpečné vzdálenosti od sponek na papíry, mincí, klíčů, hřebíků, šroubů nebo jiných malých kovových předmětů, které mohou způsobit

propojení kontaktů baterie.
Zkratování kontaktů baterie
může způsobit popáleniny
nebo požár.

- c) **Nevystavujte baterii působení horka nebo ohně. Vyvarujte se skladování baterií na otevřeném slunci.**
- d) **Nevystavujte baterii mechanickým rázům.**
- e) **Dojde-li k úniku kapaliny z baterie, zabraňte tomu, aby se tato kapalina dostala do kontaktu s pokožkou nebo aby zasáhla oči. Dojde-li k takovému kontaktu, zasažené místo omyjte značným množstvím vody a vyhledejte lékařské ošetření.**
- f) **Dojde-li k požití kapaliny z baterie, vyhledejte okamžitě lékařské ošetření.**
- g) **Udržujte baterie čisté a suché.**
- h) **Jsou-li svorky baterie znečištěny, otřete je čistým a suchým hadříkem.**
- i) **Baterie musí být před použitím nabita. Vždy postupujte podle uvedených pokynů a používejte správný postup nabíjení.**
- j) **Nenechávejte baterii nabíjet, nebude-li baterie použita.**
- k) **Po dlouhodobém uložení budete možná muset**

provést několik cyklů nabíjení a vybíjení, aby baterie dosáhla svého maximálního výkonu.








- l) **Baterie poskytuje nejvyšší výkon, je-li používána při běžné pokojové teplotě (20°C ± 5°C).**
- m) **Při likvidaci baterií oddělte od sebe baterie s odlišnými elektrochemickými systémy.**
- n) **Provádějte nabíjení pouze v nabíječce, která je specifikovaná společností Worx. Nepoužívejte jinou nabíječku, než je nabíječka speciálně dodaná pro použití s tímto zařízením.**
Nabíječka, která je vhodná pro jeden typ baterie, může při použití jiného typu baterie vytvářet riziko způsobení požáru.
- o) **Nepoužívejte žádnou baterii, která není určena pro použití s tímto zařízením.**
- p) **Ukládejte baterie mimo dosah dětí.**
- q) **Uschovejte originální dokumentaci k tomuto výrobku pro budoucí odkazy.**
- r) **Není-li zařízení používáno, vyjměte z něj baterii.**
- s) **Provádějte řádnou likvidaci baterie.**
- t) **V zařízení nekombinujte**



bateriové články různého data výroby, kapacity, velikosti nebo typu.

u) Nevyjímejte baterii z originálního obalu dříve, než bude použita.

v) Dodržujte polaritu vložených baterií plus (+) a mínus (-) a zajistěte používání baterií správným způsobem.

SYMBOLY

	Výstraha
	Přečtěte si návod k obsluze
	Nepotřebné elektrické přístroje by neměly být vyhazovány společně s odpadem z domácnosti. Nářadí recyklujte ve sběrnách zřízených k tomuto účelu. O možnostech recyklace se informujte na místních úřadech nebo u prodejce.
 Li-Ion	Baterie neodhazujte do komunálního odpadu. Odevzdejte je do sběren pro likvidaci (recyklaci) speciálního odpadu.
	Nevystavujte působení ohně
	Nevystavujte působení deště nebo vody
	Před prováděním jakéhokoli seřízení, servisu nebo údržby vyjměte z úložného prostoru baterii.

	Odemknout
	Zamknout

SEZNAM KOMPONENT

1.	UVOLŇOVACÍ TLAČÍTKO	
2.	UVOLŇOVACÍ TLAČÍTKO BATERIE	
3.	BATERIE *	
4.	SPÍNACÍ PÁČKA ZAPNUTO/VYPNUTO	
5.	ADAPTÉR HADICE	
6.	HLAVNÍ TRYSKA	
7.	TLAKOVÁ ČISTICÍ TRYSKA	
8.	ADAPTÉR TRYSKY	
9.	UNIVERZÁLNÍ TRYSKA	
10.	UPEVŇOVACÍ HŘEBÍK	85
11.	SPOJKA HADICE	
12.	FILTR HADICE	
13.	PŘÍCHYTKA HADICE	
14.	HADICE	
15.	PLOVÁK	
16.	NÁDOBKA SE SAPONÁTEM * (WA4036)	
17.	KARTÁČ * (WA4048)	
18.	SKLÁDACÍ KBELÍK NA VODU * (WA4015)	
19.	FILTRAČNÍ SÍTKO (VIZ OBR. E2)	
20.	TURBO HUBICE * (WA4037)	
21.	OKENNÍ STĚRKA S VODNÍM ROZPRAŠOVAČEM * (WA4050)	
22.	KONEKTOR PRO VÍČKO LAHVÍ * (WA4038)	
23.	OTOČNÝ ADAPTÉR S RYCHLOSPOJKOU * (WA4039)	
24.	ROTAČNÍ ČISTICÍ KARTÁČ * (WA4042)	
25.	NASTAVITELNÁ VÝKONNÁ ŠKRABKA * (WA1820 / WA1821)	

26. KRÁTKÁ TRUBICE* (WA4013)

***Standardní dodávka nemusí obsahovat veškeré vyobrazené či popsané příslušenství.**

TECHNICKÉ ÚDAJE

Typ **WG620E** **WG620E.2** **WG620E.4** **WG620E.9**
WG620E.10 (620-649 - označení strojního zařízení,
zástupce ostříkovací pistole napájené z akumulátoru)

	WG620E WG620E.4 WG620E.10	WG620E.2 WG620E.9
Napětí	20 V === Max**	
Max. tlak	2.4Mpa (24bar)	
Jmenovitý tlak	2.2Mpa (22bar)	
Maximální průtok vody	120L/h	
Max. tlak vody na vstupu	0.6Mpa (6bar)	
Sací výška	Max. 1.5m	
Hmotnost (včetně trysky)	1.7kg	1.3kg

**Napětí měřené bez zátěže. Počáteční napětí baterie dosáhne maximálně 20 voltů. Jmenovité napětí je 18 voltů.

Způsob, jakým je nástroj používán, a povaha narušovaných nebo vrtných materiálů.

Dobry stav nástroje a řádné provádění jeho údržby. Používání správného příslušenství s nástrojem, ostrost a dobrý stav příslušenství.

Utažení úchopu na rukojetích a použití antivibračního příslušenství.

Používání nástroje k účelům určeným konstrukcí a v souladu s těmito pokyny.

Při nesprávném používání může tento nástroj způsobit syndrom vibrací rukou a paží.



Výstraha: Je třeba upřesnit, že při odhadu výše rizika vibrací v praxi je nutno rovněž zohlednit všechny fáze pracovního cyklu, například dobu, kdy je nástroj vypnutý a kdy běží naprázdno, ale nevykonává práci. To může podstatně snížit působení vibrací v rámci celkového pracovního času.

Zásady pro omezení rizika působení vibrací.

Provádějte údržbu tohoto nástroje v souladu s těmito pokyny a nástroj (příslušným způsobem) dobře promazávejte.

Má-li být tento nástroj používán pravidelně, zakupte antivibrační příslušenství.

Naplánujte práci tak, aby bylo provádění úkolů, které vyžadují silné vibrace nástroje, rozloženo do několika dní.

PŘÍSLUŠENSTVÍ

	WG620E	WG620E.2	WG620E.4	WG620E.9	WG620E.10
Hadice (6m)	1	1	1	1	1
Tlaková čistící tryska	1	1	1	1	1
Univerzální tryska	1	1	1	1	1
Baterie (WA3551)	1	1	2	/	1
Nabíječka (WA3880)	1	1	1	/	1
Kartáč (WA4048)	/	1	1	/	/
Nádobka na saponát (WA4036)	/	1	1	/	/
Skládací kbelík na vodu (WA4015)	/	1	1	/	/
Konektor pro víčko lahvi (WA4038)	/	1	1	/	1
Turbo hubice (WA4037)	/	/	/	/	/
Okenní stěrka s vodním rozprašovačem (WA4050)	/	/	/	/	/
Prodloužená trubice (WA4012)	/	/	/	/	/

ÚDAJE O HLUKU A VIBRACÍCH

Měřený akustický tlak L_{PA} : 73.8 dB(A)

Měřený akustický výkon L_{WA} : 84.8 dB(A)

K_{PA} 2.35dB(A)

Používejte ochranu sluchu.



INFORMACE O VIBRACÍCH

Typická naměřená hodnota vibrací a_{H} = 1.339 m/s²
K = 1.5 m/s²

Deklarovaná celková hodnota vibrací může být použita pro vzájemné srovnání jednotlivých nářadí a rovněž může být použita k předběžnému stanovení doby práce.

! Výstraha: Hodnota vibračních emisí během praktického používání tohoto elektrického nástroje se může lišit od deklarované hodnoty v závislosti na způsobech, jakými je nástroj používán v závislosti na následujících podmínkách a dalších možnostech použití nástroje:

2 v 1: Přenosný tlakový čistič / stříkací pistole

CZ

Otočný adaptér s rychlospojku (WA4039)	/	/	/	/	/
Rotační čistící kartáč (WA4042)	/	/	/	/	/
Nastavitelná výkonná škrabka (WA1820 / WA1821)	/	/	/	/	/
Krátká trubice (WA4013)	/	/	/	/	1

Doporučujeme, abyste si příslušenství zakoupili od stejného prodejce, u kterého jste koupili nářadí. Pro další detaily prostudujte obal příslušenství. V případě potřeby požádejte o pomoc či radu personál prodejny.

NÁVOD NA POUŽITÍ



POZNÁMKA: Předtím než začnete nářadí používat, přečtěte si pečlivě manuál.

Určené použití

Tento výrobek je určen k čištění a zalévání.

SESTAVENÍ A POUŽÍVÁNÍ

POSTUP	FIGURE
PŘED ZAHÁJENÍM PRÁCE	
Nasazení baterie	Viz Obr. A1
Vyjmutí baterie	Viz Obr. A2
Kontrola stavu baterie POZNÁMKA: Obr. A3 platí pouze pro akumulátor s indikátorem stavu nabití.	Viz Obr. A3
Nabíjení baterie Podrobnější údaje naleznete v příručce k nabíječce	Viz Obr. A4, A5
SESTAVENÍ	
Připojte čistící tlakovou trysku k hlavní trysce UPOZORNĚNÍ: Při upevňování srovnajte dva výstupky na trubici s drážkami na hlavní trysce, jak je zobrazeno na obr. B.	Viz Obr. B
Upevnění univerzální trysky UPOZORNĚNÍ: Při upevňování otáčejte trysku doleva a doprava, abyste se ujistili, zda je tryska řádně usazena ve správné poloze a mírně za ni zatáhněte, abyste se ujistili, zda je v této poloze bezpečně zajištěna.	Viz Obr. C
Upevnění hadice k hlavní trysce UPOZORNĚNÍ: Po upevnění hadice zkontrolujte její připojení mírným zataháním za hadici. Hadice se nesmí uvolnit.	Viz Obr. D1, D2

Upevnění vlastní hadice (volitelné)

1. Sejměte adaptér hadice.

2. Připevněte zahradní hadici pomocí vhodných spojek.

UPOZORNĚNÍ: Mimo dodávané hadice můžete k hlavní trysce pomocí vhodných spojek připojit také vaši vlastní hadici.
POZNÁMKA: Před dotažením adaptéru hadice zkontrolujte, zda nechybí filtrační sítko. Pokud dotahujete přípojný adaptér hadice, dotáhněte jej pevně. V opačném případě nemusí být čerpání vody prováděno správně.

Viz Obr. E1, E2, E3

POUŽÍVÁNÍ


VAROVÁNÍ: Dodávaný akumulátor není vodotěsný. Aby se zabránilo riziku selhání akumulátoru, chráňte jej během použití před kontaktem s vodou. Po použití uskladněte nářadí a akumulátor na suchém místě.

Spuštění

UPOZORNĚNÍ: Při prvním použití nebo po dlouhém skladování doporučujeme, abyste připevnili kohoutek nebo počkali několik minut, než se vyprázdní vzduch a voda se hadicí dostane až nahoru a vystříkne.

Viz Obr. F1, F2, F3

Volba způsobu stříkání vody

UPOZORNĚNÍ: Zvolte vhodný způsob stříkání vody z trysky podle prováděné práce. Stříkání vody z trysky pod úhlem 0°, 15°, 25° a 40° je vhodné pro mytí a čištění a stříkání prováděné po nastavení na symbol  je nejvhodnější pro zalévání a zavlažování.

Viz Obr. G

VÝSTRAHA: Neprovádějte změnu nastavení způsobu stříkání trysky, je-li zařízení v chodu.

Čištění

UPOZORNĚNÍ: Zařízení nepřipojujte k vodnímu zdroji, který je znečištěn, zabahněn, obsahuje stopy rzi nebo korozivních látek. (Včetně čistících prostředků na okna, půdní výživy nebo umělých hnojiv, atd.)

Viz Obr. H, I

UPOZORNĚNÍ: Pro správné provedení údržby by měl být výrobek po použití s mořskou vodou opláchnut vodou pramenitou.

Zalévání

Viz Obr. J

UPEVNĚNÍ PŘÍSLUŠENSTVÍ

S tímto zařízením byla dodána celá řada příslušenství a doplňků, které jsou používány při různých aplikacích. **Nepokoušejte se provádět mytí a čištění bez řádné upevněné trubice nebo příslušenství.**

1. Nádobka na saponát (WA4036, prodává se samostatně)

Nádobka na saponát poskytuje napěněný čisticí prostředek, což zaručuje snadnější odstranění nečistot. Je používána společně s hlavní tryskou nebo s prodlouženou trubicí. (Viz Obr. K1, K2)

2. Kartáč (WA4048, prodává se samostatně)

Kartáč je používán pro čištění automobilů, plavidel, motocyklů atd. Je používán společně s hlavní tryskou nebo s prodlouženou trubicí. (Viz Obr. L1, L2)

3. Skládací kbelík na vodu (WA4015, prodává se samostatně)

Skládací kbelík na vodu vám umožňuje napojení na dodávku vody, nacházíte-li se ve velké vzdálenosti od zdroje vody. Není-li používán, může být složen a uložen. (Viz Obr. M1, M2)

4. Turbo hubice (WA4037, prodává se samostatně)

Turbo hubice poskytuje postříkání vodou v rozpětí 360°, který za stejnou dobu pokryje větší plochu, než přímá tryska 0°. Doporučeno používat s nastavením na vysokou úroveň tlaku vody. (Viz obr. N)

5. Okenní stěrka s vodním rozprašovačem (WA4050, prodává se samostatně)

Okenní stěrka s rychlým nasazením snadno zapadne do přípojného místa zařízení. Je určena k rozstříkávání vody nebo ke jejím stírání z povrchů dlaždic či skel. Vhodná pro připojení k elektrickému čističi HydroShot, nebo k prodloužovacímu nástavci trysky. (Viz obr. O1, O2, O3, O4)

6. Konektor pro víčko lahvi (WA4038, prodává se samostatně)

Konektor uzávěru lahve, jako příslušenství, umožňuje k zařízení přímo připojit většinu 2 litrových lahví s přibližně 1" otvorem. (POZNÁMKA: Nemusí se vejít na všechny spotřební lahve se sycenými nápoji a vodou) (viz obr. P1, P2, P3)

UPOZORNĚNÍ: Konektor uzávěru lahve jako příslušenství neinstalujte, dokud není připraven k použití. Ventilové otvory pro přídavné zařízení způsobí vytékání kapaliny, pokud je nainstalována lahev, a zařízení je položeno na podkladu.

7. Otočný adaptér s rychlospojkou (WA4039, prodává se samostatně)

Otočný adaptér s rychlospojkou umožňuje rychlé nastavení čisticích nástavců až do 180° v libovolném směru. Ideální pro čištění v obtížně přístupných oblastech. Vhodné pro výkonný čistič HYDROSHOT™ a rozstříkovací trysku (viz obr. Q1, Q2)

8. Rotační čistič kartáč (WA4042, prodává se samostatně)

Rotační čistič kartáč jako příslušenství se snadným uchycením na zařízení pro čištění senzitivních ploch a těsných prostor. Vhodný pro výkonný čistič HYDROSHOT™ s instalovanou prodloužovací tryskou / bez prodloužovací trysky. (Viz obr. R)

9. Nastavitelná výkonná škrabka (WA1820 / WA1821, prodává se samostatně)

Vodou poháněná rotační škrabka jako příslušenství se snadným uchycením na zařízení pro čištění tvrdých povrchů. Vhodná pro výkonný čistič HYDROSHOT™ s instalovanou prodloužovací tryskou / bez prodloužovací trysky. (Viz obr. S, T, U) Měkkou rotační hlavici škrabky (WA1820) lze použít pro senzitivní povrchy a tvrdou hlavici škrabky se štětinami (WA1821) lze použít k čištění tvrdých povrchů (nedoporučuje se pro čištění automobilů).

ÚDRŽBA

Před prováděním jakéhokoliv seřízení, servisu nebo údržby vyjměte z úložného prostoru baterii.

Zkontrolujte toto zařízení před každým použitím, zda nedošlo k poškození nebo nadměrnému opotřebování jeho dílů. Nepoužívejte toto zařízení, má-li poškozené nebo nadměrně opotřebované díly. Při objednávání náhradních dílů kontaktujte prodejce nebo výrobce.

Údržba filtru hadice

Sejměte filtr hadice z hadice a vyjměte filtrační sítko. Před opětovným sestavením opláchněte tyto díly čistou vodou. (Viz Obr. V1, V2)

Údržby filtru obrazovky

Odstraňte adaptér hadice, abyste získali filtr. (Viz obr. E1, E2) Před opětovným sestavením opláchněte vodou.

POZNÁMKA: Při opětovném utážení adaptéru hadice utáhněte. V opačném případě nemusí být pro normální provoz možné extrahovat vodu.



VÝSTRAHA: Jakékoli další služby by měl provádět autorizovaný servisní zástupce.

ČIŠTĚNÍ/SKLADOVÁNÍ

Před uložením provedte úplné vypuštění vody z tohoto zařízení i z hadice.

Čistěte tvarovaný plastový kryt tohoto zařízení pomocí měkkého kartáče a čistého hadru. Nepoužívejte vodu, rozpouštědla nebo leštidla. Vaši Nástroj skladujte vždy na bezpečném, suchém místě, mimo dosah dětí. Na stroj neodkládejte jiné předměty.

Skladujte toto zařízení a jeho příslušenství na místech, kde nedojde k poklesu teploty pod bod mrazu.

OCHRANA ŽIVOTNÍHO PROSTŘEDÍ



Vysloužilé elektrické přístroje nevyhazujte společně s domovním odpadem. Nářadí recyklujte ve sběrnách k tomu účelu zřízených. O možnostech recyklace se informujte na místních úřadech nebo u prodejce.

HLEDÁNÍ ZÁVAD

Příznaky	Možná příčina	Náprava
Pistole se spustí, ale nenásává žádnou vodu nebo chybí dostatečný tlak.	Sací tryska je příliš vysoko nad hladinou.	Zařízení snižte dolů na výšku pod 1,5 m (5 stop).
	Filtr hadice je zanesen.	Filtr hadice sejměte a jednotlivé součásti opláchněte čistou vodou. (Viz Obr. V1, V2)
	Zahradní hadice uživatele není dobře připojena k stříkací pistoli.	Zkontrolujte a opět pevně nasadte zahradní hadici. (Viz Obr. E1, E2, E3)
	Adaptér hadice se uvolnil.	Utáhněte pevně adaptér hadice klíčem.
	Chybí filtrační sítko. (Viz Obr. E2)	Filtrační sítko získáte u vašeho servisního zástupce Worx.
	Čerpadlo, hadice nebo jiné části jsou zmrazeny v důsledku venkovní teploty.	Počkejte, až se čerpadlo, hadice nebo jiné součásti rozmrazí.
	Hadice je skřípnutá.	Hadici narovnejte.
Rozstříkovací tryska prosakuje.	Tvarovaná tryska nerozstříkuje správně.	Ujistěte se, že symbol tvaru trysky je srovnán s indikační značkou na stříkací pistoli.
	Upevňovací hřebík na rozstříkovací trysce je uvolněn.	Pomocí šestihřanného klíče jej dotáhněte.
Výstupní tlak se neočekávaně zvyšuje.	Rozstříkovací tryska je zanesena.	Rozstříkovací trysku nahradte novou.
Po zastavení z rozstříkovací pistole vytéká voda.	Po zastavení v trubici a čerpadle zůstává voda.	Před uložením všichni vodu zcela vypustte.
Příslušenství pro práci se saponátem neprovádí postřik žádného prostředku.	Nádobka na saponát je zanesena.	Vypláchněte ji čistou vodou.
Zařízení není možné spustit.	Baterie není správně připojena.	Bateriový blok vyjměte a opět vložte.
	Baterie je vybitá.	Baterii vyměňte za novou, nebo ji dobijte.
	Baterie je vadná.	Vyměňte baterii.
Tlak ve stříkací pistoli není stálý.	Do zařízení bylo nasán další vzduch.	Zkontrolujte spojení mezi adaptérem hadice a vlastní hadicí.
	Je nastavena nízká úroveň tlaku.	Není nutná žádná náprava.
Stříkací pistole se automaticky zastavuje.	Bateriový blok je vybitý.	Baterii vyměňte za novou, nebo ji dobijte.
	Rozstříkovací tryska je zanesena. Je aktivována proudová ochrana.	Sejměte rozstříkovací trysku a stříkací pistoli spustte. Pokud pracuje správně, vyměňte rozstříkovací trysku za novou.

PROHLÁŠENÍ O SHODĚ

My,
Positec Germany GmbH
Grüner Weg 10, 50825 Cologne, Germany

Prohlašujeme, že tento výrobek

Popis **Ostříkovací pistole napájená z akumulátoru**

Typ **WG620E WG620E.2 WG620E.4 WG620E.9**

**WG620E.10 (620-649 - označení strojního
zařízení, zástupce ostříkovací pistole napájené z
akumulátoru) Funkce Čištění a zalévání**

splňuje následující směrnice:

**2006/42/EC, 2014/30/EU,
2011/65/EU&(EU)2015/863,
2000/14/EC v novelizaci 2005/88/EC**

2000/14/EC v novelizaci 2005/88/EC:

- Postup posuzování shody podle **Dodatek V**

- Měřený akustický výkon **84.8 dB**

- Deklarovaný zaručený akustický výkon **87dB**

Splňované normy

EN 60335-1, EN 60335-2-54, EN 62233,

EN ISO 3744, EN 55014-1, EN 55014-2

Osoba odpovídající za vytvoření technické dokumentace:

Jméno Marcel Filz

**Adresa Positec Germany GmbH Grüner Weg 10,
50825 Cologne, Germany**

90



2020/11/23

Allen Ding

Zástupce vrchní konstrukční kanceláře, Testování &


Certifikace

Positec Technology (China) Co., Ltd

18, Dongwang Road, Suzhou Industrial

Park, Jiangsu 215123, P. R. China

BEZPEČNOST VÝROBKU VŠEOBECNÉ BEZPEČNOSTNÍ POKYNY

 **VAROVÁNÍ: Prečítajte si všetky bezpečnostné upozornenia a všetky pokyny.** Ak nebudete dodržiavať uvedené bezpečnostné pokyny a upozornenia, môže dôjsť k úrazu elektrickým prúdom, požiaru alebo vážnym zraneniam.

Uložte bezpečnostné pokyny na ďalšie použitie.

- Toto zariadenie môžu používať osoby so zníženými fyzickými, zmyslovými alebo duševnými schopnosťami, alebo s nedostatkom skúseností a znalostí, ak bol týmto osobám stanovený dohľad alebo ak im boli poskytnuté pokyny týkajúce sa použitia tohto zariadenia bezpečným spôsobom a ak chápu riziká spojené s použitím tohto zariadenia. S týmto zariadením sa nesmú hrať deti.
- Toto zariadenie môže byť použité iba s napájacou jednotkou, ktorá bola dodaná s týmto zariadením.

DOPLŇUJÍCÍ BEZPEČNOSTNÍ ZÁSADY

1. Kvapalina z tohto zariadenia sa

nesmie striekať na vybavenie obsahujúce elektrické komponenty.

2. Po použití a pred vykonávaním používateľskej údržby vyberte z tohto zariadenia batériu alebo ju odpojte.
3. Ak je v tomto zariadení batéria, zariadenie nesmie byť ponechané bez dozoru.
4. Toto zariadenie sa nesmie používať, ak došlo k jeho pádu, ak sú na ňom viditeľné známky poškodenia alebo ak dochádza k únikom z tohto zariadenia.
5. Ak je toto zariadenie napájané, zabráňte prístupu detí k tomuto zariadeniu.

Bezpečnostné varovania týkajúce sa batérií

- a) **Nepokoušajte se demontovať, rozebírat alebo rozřezávat baterie nebo její články.**
- b) **Neprovádějte zkratování baterie. Neukládejte baterie nahodile v krabicích nebo v zásuvkách, kde by mohlo dojít k jejich vzájemnému zkratování nebo k zkratování způsobenému jinými předměty.** Není-li baterie používána, udržujte ji v bezpečné vzdálenosti od sponek na papíry, mincí, klíčů, hřebíků, šroubů nebo jiných malých kovových předmětů,




keré mohou způsobit propojení kontaktů baterie. Zkratování kontaktů baterie může způsobit popáleniny nebo požár.

- c) **Nevystavujte baterii působení horka nebo ohně. Vyvarujte se skladování baterií na otevřeném slunci.**
- d) **Nevystavujte baterii mechanickým rázům.**
- e) **Dojde-li k úniku kapaliny z baterie, zabraňte tomu, aby se tato kapalina dostala do kontaktu s pokožkou nebo aby zasáhla oči. Dojde-li k takovému kontaktu, zasažené místo omyjte značným množstvím vody a vyhledejte lékařské ošetření.**
- f) **Dojde-li k požití kapaliny z baterie, vyhledejte okamžitě lékařské ošetření.**
- g) **Udržujte baterie čisté a suché.**
- h) **Jsou-li svorky baterie znečištěny, otřete je čistým a suchým hadříkem.**
- i) **Baterie musí být před použitím nabita. Vždy postupujte podle uvedených pokynů a používejte správný postup nabíjení.**
- j) **Nenechávejte baterii nabíjet, nebude-li baterie použita.**
- k) **Po dlouhodobém uložení budete možná muset provést několik cyklů nabíjení a vybíjení, aby baterie dosáhla svého maximálního výkonu.**
- l) **Baterie poskytuje nejvyšší výkon, je-li používána při běžné pokojové teplotě (20°C ± 5°C).**
- m) **Při likvidaci baterií oddělte od sebe baterie s odlišnými elektrochemickými systémy.**
- n) **Provádějte nabíjení pouze v nabíječce, která je specifikovaná společností Worx. Nepoužívejte jinou nabíječku, než je nabíječka speciálně dodaná pro použití s tímto zařízením. Nabíječka, která je vhodná pro jeden typ baterie, může při použití jiného typu baterie vytvářet riziko způsobení požáru.**
- o) **Nepoužívejte žádnou baterii, která není určena pro použití s tímto zařízením.**
- p) **Ukládejte baterie mimo dosah dětí.**
- q) **Uschovejte originální dokumentaci k tomuto výrobku pro budoucí odkazy.**
- r) **Není-li zařízení používáno, vyjměte z něj baterii.**
- s) **Provádějte řádnou likvidaci baterie.**

- t) V zariadení nekombinujte batériové články rôzneho dátumu výroby, kapacity, veľkosti alebo typu.**
- u) Nevyberajte batériu z originálneho obalu skôr, než bude použitá.**
- v) Dodržujte polaritu vložených batérií plus (+) a mínus (-) a zaistite používanie batérií správnym spôsobom.**

SYMBOLY

	Výstraha
	Prečítajte si návod na používanie.
	Elektrické výrobky sa nesmú likvidovať spolu s domácim odpadom. Recyklujte v zberných miestach na tento účel zriadených. O možnosti recyklácie sa informujte na miestnych úradoch alebo u predajcu.
 Li-Ion 	Batérie nezahadzujte. Vyčerpané batérie odneste do miestneho zberného (recyklačného) miesta špeciálneho odpadu.
	Nevystavujte ohňu
	Nevystavujte dažďu alebo vode

	Pred akýmkoľvek nastavením, servisom alebo údržbou vyberte z úložného priestoru batériu.
	Odomknúť
	Zamknúť

SEZNAM KOMPONENT

1. UVOLŇOVACÍ TLAČIDLO
2. ZÁPADKA JEDNOTKY BATÉRIÍ
3. AKUMULÁTOR *
4. SPÍNACIA PÁČKA ZAPNUTÉ/VYPNUTÉ
5. ADAPTÉR HADICE
6. HLAVNÁ DÝZA
7. TLAKOVÁ TRYSKA NA ČISTENIE
8. ADAPTÉR DÝZY
9. UNIVERZÁLNA DÝZA
10. UPEVNŇOVACÍ KLÍNEC
11. SPOJKA HADICE
12. FILTER HADICE
13. PRÍCHYTKA HADICE
14. HADICA
15. PLAVÁK
16. NÁDOBKÁ SO SAPONÁTOM* (WA4036)
17. KEFA* (WA4048)
18. SKLADACIE VEDIERKO NA VODU* (WA4015)
19. FILTRAČNÉ SITKO (POZRI OBR. E2)
20. TURBO HUBICA* (WA4037)
21. STIERKA NA OKNO S VODNÝM ROZPRAŠOVAČOM * (WA4050)
22. KONEKTOR NA UZÁVER FLIAŠ * (WA4038)
23. OTOČNÝ ADAPTÉR S RÝCHLOSPOJKOU * (WA4039)

24. ROTAČNÁ ČISTIACA KEFA * (WA4042)

25. NASTAVITEĽNÁ VÝKONNÁ ŠKRABKA * (WA1820 / WA1821)

26. KRÁTKA TRUBICA* (WA4013)

* Nie všetko zobrazené alebo popisované príslušenstvo je súčasťou štandardnej dodávky.

TECHNICKÉ ÚDAJE

Typ **WG620E WG620E.2 WG620E.4 WG620E.9 WG620E.10 (620-649 - označenie strojového zariadenia, zástupcu ostrekovacej pištole napájanej z akumulátora)**

	WG620E WG620E.2 WG620E.4 WG620E.10	WG620E.9
Napätí	20 V $\overline{\text{---}}$ Max**	
Max. tlak	2.4Mpa (24bar)	
Menovitý tlak	2.2Mpa (22bar)	
Maximálny prietok vody	120L/h	
Max. tlak vody na vstupe.	0.6Mpa (6bar)	
Nasávacía výška	Max. 1.5m	
Hmotnosť (vrátane trysky)	1.7kg	1.3kg

**Napätie merané bez pracovného zaťaženia. Pôvodné napätie batérie dosahuje maximálne 20 V. Menovité napätie je 18 V.

INFORMÁCIE O HLUKU

Meraný akustický tlak L_{PA} : 73.8 dB(A)

Meraný akustický výkon L_{WA} : 84.8 dB(A)

K_{PA} 2.35dB(A)

Používajte ochranu sluchu.



INFORMÁCIE O VIBRÁCIÁCH

Typická nameraná hodnota vibrácií a_{rt} = 1.339 m/s²
 K = 1.5 m/s²

Deklarovaná celková hodnota vibrácií sa môže použiť na vzájomné porovnanie jednotlivých náradí a takisto aj na predbežné stanovenie času práce.

! VÝSTRAHA: Hodnota emisie vibrácií počas skutočného používania elektrického náradia sa môže odlišovať od deklarovanej hodnoty, a to v závislosti od spôsobu používania náradia a v závislosti od nasledujúcich príkladov odchýlok od spôsobu používania náradia:

Akým spôsobom sa náradie používa a aké materiály budú rezané alebo vŕtané.
Náradie je v dobrom stave a je dobre udržiavané.
Používanie správneho príslušenstva v spojení s náradím a zabezpečenie jeho ostroti a dobrého stavu.
Tesnosť zovretia rúkaví a používanie doplnkov proti vibráciám.
Používanie náradia na podľa konštrukcie určený účel a v súlade s pokynmi.

Toto náradie môže vyvolávať syndróm trasenia rúk a ramien, pokiaľ jeho používanie nie je správnym spôsobom riadené.

! VÝSTRAHA: Kvôli presnosti by mal odhad úrovne expozície v skutočných podmienkach používania obsahovať tiež všetky súčasti prevádzkového cyklu, ako sú doby, počas ktorých je náradie vypnuté a počas ktorých beží na voľnobehu, a to mimo skutočného vykonávania práce. Tým môže dôjsť k značnému zníženiu úrovne expozície počas celkového prevádzkového času.

Pomôžte minimalizovať riziko expozície účinkom vibrácií. Náradie udržiavajte v súlade s týmto návodom a udržiavajte ho dobre namazané (ak je to potrebné). Ak sa náradie používa často, investujte do príslušenstva zabraňujúceho vibráciám. Prácu si naplánujte tak, aby ste akékoľvek používanie náradia pri vysokých vibráciách rozdelili na niekoľko dní.

PŘÍSLUŠENSTVÍ

	WG620E	WG620E.2	WG620E.4	WG620E.9	WG620E.10
Hadica (6m)	1	1	1	1	1
Tlaková tryska na čistenie	1	1	1	1	1
Univerzálna dýza	1	1	1	1	1
Akumulátor (WA3551)	1	1	2	/	1
Nabíjačka (WA3880)	1	1	1	/	1
Kefa (WA4048)	/	1	1	/	/
Nádobka na saponát (WA4036)	/	1	1	/	/
Skladacie vedierko na vodu (WA4015)	/	1	1	/	/

Konektor na uzáver fľaš (WA4038)	/	1	1	/	1
Turbo hubica (WA4037)	/	/	/	/	/
Stierka na okno s vodným rozprašovačom (WA4050)	/	/	/	/	/
Predĺžená trubica (WA4012)	/	/	/	/	/
Otočný adaptér s rýchlospojkou (WA4039)	/	/	/	/	/
Rotačná čistiaca kefa (WA4042)	/	/	/	/	/
Nastaviteľná výkonná škrabka (WA1820 / WA1821)	/	/	/	/	/
Krátka trubica (WA4013)	/	/	/	/	1

Odporúčame Vám, aby ste si zakúpili príslušenstvo v rovnakej predajni, v akej ste zakúpili aj vaše náradie. Ďalšie podrobnosti nájdete na obale príslušenstva. Pomoc a užitočné rady vám môže poskytnúť predajca náradia.

NÁVOD NA POUŽITÍ



POZNÁMKA: Pred tým, ako náradie použijete, prečítajte si návod na použitie.

Určené použitie

Tento výrobok je určený na čistenie a zalievanie.

SESTAVENÍ A POUŽÍVÁNÍ

POSTUP	FIGURE
PŘED ZAHÁJENÍM PRÁCE	
Nasadenie batérie	Viz Obr. A1
Vybratie batérie	Viz Obr. A2
Kontrola stavu batérie POZNÁMKA: Obr. A3 platí len pre akumulátor s indikátorom stavu nabitia.	Viz Obr. A3
Nabíjení batérie Podrobnejší údaje naleznete v príručke k nabíječce	Viz Obr. A4, A5
SESTAVENÍ	

Tlakovú trysku na čistenie pripojte k hlavnej tryske

POZNÁMKA: Pri upevňovaní zarovnajzte dva výstupy na trubici s drážkami na hlavnej dýze, ako je zobrazené na obr. B.

Viz Obr. B

Upevnenie univerzálnej dýzy



POZNÁMKA: Pri upevňovaní otáčajte dýzou doľava a doprava, aby ste sa uistili, že je dýza riadne usadená v správnej polohe, a mierne za ňu zatiahnite, aby ste sa uistili, či je v tejto polohe bezpečne zaistená.

Viz Obr. C

Upevnenie hadice k hlavnej dýze

POZNÁMKA: Po upevnení hadice skontrolujte jej pripojenie miernym zatáhaním za hadicu. Hadica sa nesmie uvoľniť.

Viz Obr. D1, D2

Upevnenie vlastnej hadice (voliteľné)

1. Odstráňte adaptér hadice.
2. Pripevnite záhradnú hadicu pomocou vhodných spojok.

POZNÁMKA: Okrem dodávanej hadice môžete k hlavnej dýze pomocou vhodných spojok pripojiť taktiež svoju vlastnú hadicu.

POZNÁMKA: Pred dotiahnutím adaptéra hadice skontrolujte, či nechýba filtračné sítko. Ak dotáhujete pripojný adapter hadice, dotiahnite ho pevne. V opačnom prípade nemusí byť čerpanie vody vykonané správne.

Viz Obr. E1, E2, E3

POUŽÍVÁNÍ



VAROVANIE: Dodávaný akumulátor nie je vodotesný. Aby sa zabránilo riziku, že zlyhá akumulátor, chráňte ho v priebehu použitia pred kontaktom s vodou. Po použití uskladnite náradie a akumulátor na suchom mieste.

Spustenie

POZNÁMKA: Pri prvom použití alebo po dlhodobom skladovaní sa odporúča pripojiť kohútik alebo počkať niekoľko minút, kým voda nevystúpi pozdĺž hadice a nevystrekne.

Viz Obr. F1, F2, F3

Voľba spôsobu striekania vody

POZNÁMKA: Zvoľte vhodný spôsob striekania vody z dýzy podľa vykonávanej práce. Striekanie vody z dýzy pod uhlom 0°, 15°, 25° a 40° je vhodné na umývanie a čistenie a striekanie po nastavení na symbol je najvhodnejšie na zalievanie a zavlažovanie.

Viz Obr. G



VÝSTRAHA: Nemeňte nastavenie spôsobu striekania dýzy, ak je zariadenie v chode.

Čistenie

! **VÝSTRAHA: Zariadenie nepripájajte k zdroju vody, ktorý je znečistený, zablatený, obsahuje stopy hrdze alebo korodujúcich látok. (Vrátane čistiacich prostriedkov na okná, pôdne výživy alebo umelých hnojív, atď.)**

POZNÁMKA: Z dôvodu správne prevedenej údržby by mal byť výrobok po použití s morskou vodou opláchnutý pramenitou vodou.

Viz Obr. H, I

Zalievanie

Viz Obr. J

UPEVNENIE PRÍSLUŠENSTVA

S týmto zariadením bola dodaná celá súprava príslušenstva a doplnky, ktoré sa používajú pri rôznych aplikáciách.

Nepokúšajte sa umývať a čistiť bez riadnej upevnenej trubicke alebo príslušenstva.

1. Nádobka na saponát (WA4036, predáva sa samostatne)

Nádobka na saponát poskytuje napenený čistiaci prostriedok, čo zaručuje ľahšie odstránenie nečistôt. Používa sa spoločne s hlavnou dýzou alebo s predĺženou trubicou. (Viz Obr. K1, K2)

2. Kefa (WA4048, predáva sa samostatne)

Kefa sa používa na čistenie automobilov, plavidiel, motocyklov atď. Používa sa spoločne s hlavnou dýzou alebo s predĺženou trubicou. (Viz Obr. L1, L2)

3. Skladacie vedierko na vodu (WA4015, predáva sa samostatne)

Skladacie vedierko na vodu vám umožňuje napojenie na dodávku vody, ak sa nachádzate vo veľkej vzdialenosti od zdroja vody. Ak sa nepoužíva, môže sa zložiť a uložiť. (Viz Obr. M1, M2)

4. Turbo hubica (WA4037, predáva sa samostatne)

Turbo hubica poskytuje postrek vodou v rozpätí 360°, ktorý za rovnakú dobu poskytuje väčšiu plochu, ako priama tryska 0°. Odporúčené používať s nastavením na vysokú úroveň tlaku vody. (Pozri obr. N)

5. Stierka na okno s vodným rozprašovačom (WA4050, predáva sa samostatne)

Stierka na okno s rýchlym nasadením jednoducho zapadne do miesta určeného na pripojenie zariadenia. Je určená na rozstrekovanie vody alebo na jej stieranie z povrchov dlaždíc či skiel. Vhodná na pripojenie k elektrickému čističu HydroShot, alebo k predĺžovaciemu nastavcu trysky. (Pozri obr. O1, O2, O3, O4)

6. Konektor na uzáver fľaš (WA4038, predáva sa samostatne)

Konektor uzáveru fľaše, ako príslušenstvo, umožňuje k zariadeniu priamo pripojiť väčšinu 2-litrových fľaš s približne 1" otvorom (POZNÁMKA: Nemusi sa vojsť na všetky spotrebné fľaše so perlivými nápojmi a vodou) (pozri

obrázky P1, P2, P3)

UPOZORNENIE: Konektor uzáveru fľaše ako príslušenstvo neinštalujte, kým nebude pripravený na použitie. Ventilové otvory pre prídavné zariadenie spôsobí vytekание kvapaliny, ak je nainštalovaná fľaša a zariadenie je položené na podklade.

7. Otočný adaptér s rýchlospojku (WA4039, predáva sa samostatne)

Otočný adaptér s rýchlospojku umožňuje rýchle nastavenie čistiacich nástavcov až do 180° v ľubovoľnom smere. Ideálne pre čistenie v ťažko prístupných oblastiach. Vhodné pre výkonný čistič HYDROSHOT™ a rozstrekovaciu trysku (pozri obr. Q1, Q2)

8. Rotačná čistiaca kefa (WA4042, predáva sa samostatne)

Rotačná čistiaca kefa ako príslušenstvo s jednoduchým uchytением na zariadenia na čistenie senzitívnych plôch a tesných priestorov. Vhodná pre výkonný čistič HYDROSHOT™ s inštalovanou predĺžovacou tryskou / bez predĺžovacej trysky. (pozri obr. R)

9. Nastaviteľná výkonná škrabka (WA1820 / WA1821, predáva sa samostatne)

Vodou poháňaná rotačná škrabka ako príslušenstvo s jednoduchým uchytением na zariadenie na čistenie tvrdých povrchov. Vhodná pre výkonný čistič HYDROSHOT™ s inštalovanou predĺžovacou tryskou / bez predĺžovacej trysky. (potri obr. S, T, U) Mäkkú rotačnú hlavicu škrabky (WA1820) je možné použiť pre senzitívne povrchy a tvrdú hlavicu škrabky (WA1821) so štetinami je možné použiť na čistenie tvrdých povrchov (neodporúča sa pre čistenie automobilov).

ÚDRŽBA

Pred vykonaním akéhokoľvek nastavovania, opráv alebo údržby vyberte z nástroja batériový modul.

Skontrolujte toto zariadenie pred každým použitím, či nedošlo k poškodeniu alebo nadmernému opotrebovaniu jeho dielov. Nepoužívajte toto zariadenie, ak má poškodené alebo nadmerne opotrebované diely. Pri objednávaní náhradných dielov kontaktujte predajcu alebo výrobcu. Údržba filtra hadice

Odstráňte filter hadice z hadice a vyberte filtrovacie sitko. Pred opätovným zostavením opláchnite tieto diely čistou vodou. (Viz Obr. V1, V2)

Údržba obrazovky filtra

Odstráňte adaptér hadice, aby ste získali filter. (Viz Obr. E1, E2) Pred opätovným namontovaním opláchnite vodou.

POZNÁMKA: Pritiahnite adaptér hadice, keď ju znovu utiahnete. V opačnom prípade nemusí byť možné pre normálnu prevádzku extrahovať vodu.



VÝSTRAHA: Všetky ostatné služby by mali vykonávať autorizovaní servisní zástupcovia.

2 v 1: Prenosný tlakový čistič / striekacia pištoľ

SK

ČISTENIE/SKLADOVÁNÍ

Pred uložením úplne vypustite vodu z tohto zariadenia aj z hadice.

Čistíte tvarovaný plastový kryt tohto zariadenia pomocou mäkkej kefy a čistej handry. Nepoužívajte vodu, rozpúšťadlá alebo leštidlá. Vaši Nástroj skladujte vždy na bezpečnom, suchom mieste, mimo dosah detí. Na stroj neodkladajte jiné predmety.

Skladujte toto zariadenie a jeho príslušenstvo na miestach, kde nedôjde k poklesu teploty pod bod mrazu.

OCHRANA ŽIVOTNÍHO PROSTŘEDÍ



Elektrické výrobky sa nesmú likvidovať spolu s domácim odpadom. Recyklujte v zberných miestach na tento účel zriadených. O možnosti recyklácie sa informujte na miestnych úradoch alebo u predajcu.

PROHLÁŠENÍ O SHODĚ

My,
Positec Germany GmbH
Grüner Weg 10, 50825 Cologne, Germany

Vyhlasujeme, že tento výrobok

Popis **Ostrekovacia pištoľ napájaná z akumulátora**

Typ **WG620E WG620E.2 WG620E.4 WG620E.9**

WG620E.10 (620-649 – označenie strojového zariadenia, zástupcu ostrekovacej pištole napájanej z akumulátora) Funkce **Čistenie a zalievanie**

Zodpovedá nasledujúcim smerniciam:

2006/42/EC, 2014/30/EU,

2011/65/EU&(EU)2015/863,

2000/14/EC v novelizácii 2005/88/EC

2000/14/EC v novelizácii 2005/88/EC:

- Postup vyhodnotenia zhody podľa **Dodatku V**

- Meraný akustický výkon **84.8 dB**

- Deklarovaný zaručený akustický výkon **87dB**

Splňované normy

EN 60335-1, EN 60335-2-54, EN 62233,

EN ISO 3744, EN 55014-1, EN 55014-2

Osoba oprávnená za zostavenie technického súboru,

Názov Marcel Filz

**Adresa Positec Germany GmbH Grüner Weg 10,
50825 Cologne, Germany**



2020/11/23

Allen Ding

Zástupca vrchnej konštruktívnej kancelárie,

Testovanie & Certifikácia

Positec Technology (China) Co., Ltd

18, Dongwang Road, Suzhou Industrial

Park, Jiangsu 215123, P. R. China

ODSTRAŇOVANIE PROBLÉMOV

Symptóm	Možné príčiny	Nápravné činnosti
Pištoľ sa spustí, ale nenasáva žiadnu vodu alebo chýba dostatočný tlak.	Sacia tryska je príliš vysoko nad hladinou.	Zariadenie znížite dolu na výšku pod 1,5 m (5 stôp).
	Filter hadice je zanesený.	Filter hadice odstráňte a jednotlivé súčasti opláchnite čistou vodou. (Pozri Obr. V1, V2)
	Záhradná hadica užívateľa nie je dobre pripojená k striekacej pištoľi.	Skontrolujte a znovu pevne nasad'te záhradnú hadicu. (Pozri Obr. E1, E2, E3)
	Adaptér hadice sa uvoľnil.	Adaptér hadice utiahnite pevne pomocou kľúča.
	Chýba filtračné sitko. (Pozri Obr. E2)	Filteračné sitko získate u vášho servisného zástupcu Worx.
	Čerpadlo, hadica alebo iné časti sú zmrazené z dôvodu vonkajšej teploty.	Počkajte, kým sa čerpadlo, hadica alebo iné súčasti nerozmrazia.
	Hadica je priškrpnutá.	Hadicu narovnajete.
Rozstrekovacia tryska presakuje.	Tvarovaná tryska nerozstrekuje správne.	Skontrolujte, či je symbol v tvare trysky zarovnaný s indikačnou značkou na striekacej pištoľi.
	Upevňovací klíncec na rozstrekovacej tryske je uvoľnený.	Pomocou šesťhranného kľúča ho dotiahnite.
Výstupný tlak sa neočakávane zvyšuje.	Rozstrekovacia tryska je zanesená.	Rozstrekovaciu trysku nahrad'te za novú.
Po zastavení z rozstrekovacej pištole vyteká voda.	Po zastavení v trubici a čerpadle zostáva voda.	Pred uložením všetku vodu úplne vypustíte.
Príslušenstvo pre prácu so saponátom neprevádza postrek žiadneho prostriedku.	Nádobka na saponát je zanesená.	Vypláchnite ju čistou vodou.
Zariadenie nie je možné spustiť.	Batéria nie je správne pripojená.	Batériový blok vytiahnite a znovu vložte.
	Batéria je vybitá.	Batériu vymeňte za novú, alebo ju dobite.
	Batéria je chybná.	Vymeňte batériu.
Tlak v striekacej pištoľi nie je stály.	Do zariadenia sa nasal ďalší vzduch.	Skontrolujte spojenie medzi adaptérom hadice a vlastnou hadicou.
	Je nastavená nízka úroveň tlaku.	Nie je nutná žiadna náprava.
Striekacia pištoľ sa automaticky zastavuje.	Batériový blok je vybitý.	Batériu vymeňte za novú, alebo ju dobite.
	Rozstrekovacia tryska je zanesená. Je aktivovaná prúdová ochrana.	Dajte dolu rozstrekovaciu trysku a spustíte rozstrekovaciu pištoľ. Ak pracuje správne, vymeňte rozstrekovaciu trysku za novú.

SEGURANÇA DO PRODUTO

AVISOS GERAIS DE SEGURANÇA

ATENÇÃO! LEIA ATENTAMENTE AS SEGUINTE INSTRUÇÕES. A

não observância destas instruções pode causar choque elétrico, incêndio e/ou lesões graves.

Guarde estas instruções para referência futura.

- Este aparelho pode ser utilizado por pessoas com capacidades físicas, sensoriais ou mentais reduzidas ou falta de experiência e conhecimento, se obtiverem supervisão ou instruções relativamente à utilização do aparelho de uma forma segura e à compreensão dos perigos envolvidos. As crianças não devem brincar com o aparelho.
- Este aparelho só deve ser utilizado com a fonte de alimentação fornecida com o mesmo.

Normas de Segurança Adicionais

1. Os líquidos não devem ser direcionados para equipamento que contenha

- componentes elétricos.
2. Remova ou desligue a bateria após a utilização e antes de realizar a manutenção do utilizador no aparelho.
3. O aparelho não deve ser abandonado quando estiver ligado à alimentação elétrica.
4. O aparelho não deve ser utilizado se tiver sofrido uma queda, se houver sinais visíveis de danos ou se tiver fugas.
5. Mantenha o aparelho afastado do alcance das crianças quando estiver a carregar.

Avisos de segurança para a bateria

- a) Não desmonte, abra ou corte as células da bateria.**
- b) Não submeta a bateria a curto-circuitos. Não armazena as baterias ao acaso numa caixa ou gaveta onde possam provocar um curto-circuito ou submetidas a curto-circuitos por materiais condutores.**

Quando não estiver a utilizar a bateria, mantenha-a afastada de outros objetos metálicos, como cliques,

moedas, chaves, pregos, parafusos ou outros pequenos objetos de metal, que possam realizar uma ligação de um terminal a outro. Um curto-circuito dos terminais da bateria pode provocar queimaduras ou um incêndio.

- c) Não exponha a bateria ao calor ou a incêndios. Evite o armazenamento à exposição de luz solar direta.**
- d) Não exponha a bateria ao choque elétrico.**
- e) Em casos de fugas na bateria, não permita que o líquido entre em contacto com a pele ou olhos. Caso entre em contacto, lave a área afetada com quantidades abundantes de água e procure aconselhamento médico.**
- f) Procure imediatamente aconselhamento médico se ingerir uma célula ou bateria.**
- g) Mantenha a bateria limpa e seca.**
- h) Limpe os terminais da bateria com um pano limpo e seco em caso de sujidade.**
- i) A bateria necessita de ser carregada antes de**



ser utilizada. Consulte sempre estas instruções e utilize o procedimento de carga correto.








- j) Não mantenha a bateria a carregar quando não for utilizada.**
- k) Após longos períodos de tempos de armazenamento, pode ser necessário carregar e descarregar a bateria diversas vezes para obter o desempenho máximo.**
- l) A bateria regista o seu melhor desempenho quando é utilizada a uma temperatura ambiente normal ($20^{\circ}\text{C} \pm 5^{\circ}\text{C}$).**
- m) Ao eliminar as baterias, mantenha as baterias com diferentes sistemas eletroquímicos separadas umas das outras.**
- n) Recarregue apenas com o carregador especificado pela Worx. Não utilize um carregador que não se encontra especificado para a utilização com o equipamento.** Um carregador adequado para um determinado tipo de bateria pode provocar risco de incêndio quando é utilizado com outra bateria.
- o) Não utilize uma**

bateria que não se encontra concebida para a utilização com o equipamento.

- p) Mantenha a bateria fora do alcance das crianças.**
- q) Preserve as informações originais do produto para futura referência.**
- r) Retire a bateria do equipamento quando não estiver em utilização.**
- s) Elimine-a de forma adequada.**
- t) Não misture pilhas de diferente fabrico, capacidade, tamanho ou tipo num dispositivo.**
- u) Não remova a bateria da respetiva embalagem original até ser necessário para utilização.**
- v) Observe as marcas de sinal positivo (+) e sinal negativo (-) na bateria e assegure a utilização correta.**

SÍMBOLOS

	Aviso
	Ler o manual

	Os equipamentos elétricos não devem ser depositados com o lixo doméstico. Se existirem instalações adequadas deve reciclá-los. Consulte a sua autoridade local para tratamento de lixos ou fornecedor para obter aconselhamento sobre reciclagem.
 Li-Ion	Não eliminar as baterias. As baterias usadas devem ser entregues num ponto de reciclagem.
	Não queimar.
	Não expor à chuva ou água.
	Remova o conjunto de pilhas da ferramenta antes de realizar qualquer ajuste, reparação ou manutenção.
	Desbloquear
	Bloquear

101

LISTA DE COMPONENTES

- 1. BOTÃO DE DESBLOQUEIO**
- 2. FECHO DO CONJUNTO DE BATERIA**
- 3. CONJUNTO DE BATERIAS***
- 4. ALAVANCA LIGAR/DESLIGAR**
- 5. ADAPTADOR DA MANGUEIRA**
- 6. BOCAL DE JATO**
- 7. LANÇA DE LIMPEZA A PRESSÃO**
- 8. ADAPTADOR DO BOCAL**

**2 em 1: Máquina de limpeza a pressão/
pulverizador de água**

PT

9. BOCAL DE JATO MÚLTIPLO
10. PERNO DE FIXAÇÃO
11. CONECTOR PARA MANGUEIRA
12. FILTRO PARA MANGUEIRA
13. BRAÇADEIRA PARA MANGUEIRA
14. MANGUEIRA
15. FLUTUADOR
16. FRASCO DE DETERGENTE* (WA4036)
17. ESCOVA* (WA4048)
18. BALDE DE ÁGUA DOBRÁVEL* (WA4015)
19. FILTRO (VER FIG. E2)
20. BOCAL TURBO* (WA4037)
21. RODO DE JANELA COM PULVERIZADOR DE ÁGUA* (WA4050)
22. CONECTOR DA TAMPA DA GARRAFA* (WA4038)
23. ADAPTADOR DE LIGAÇÃO RÁPIDA GIRATÓRIO* (WA4039)
24. ESCOVA DE LIMPEZA ROTATIVA* (WA4042)
25. LAVADORA ELÉTRICA AJUSTÁVEL* (WA1820 / WA1821)
26. CABO CURTO* (WA4013)

*Acessórios ilustrados ou descritos não estão totalmente abrangidos no fornecimento.

DADOS TÉCNICOS

Tipo **WG620E.WG620E.2.WG620E.4.WG620E.9.WG620E.10** (620-649 – designação de maquinaria, representação da pistola de jato de água com bateria)

	WG620E.WG620E.2.WG620E.4.WG620E.10	WG620E.9
Tensão	20 V Max**	
Pressão máxima	2.4Mpa (24bar)	
Pressão nominal	2.2Mpa (22bar)	
Caudal de água máx.	120L/h	
Pressão máxima de entrada de água	0.6Mpa (6bar)	
Altura de sucção	Max. 1.5m	
Peso (com a lança)	1.7kg	1.3kg

**Tensão medida sem carga. A tensão inicial da bateria atinge o máximo de 20 volts. A tensão nominal é de 18 volts.

DADOS SOBRE RUÍDOS E VIBRAÇÕES

Pressão de som avaliada	L_{PA} : 73.8 dB(A)
Potência de som avaliada	L_{WA} : 84.8 dB(A)
K_{PA}	2.35dB(A)

Usar protecção para os ouvidos.



INFORMAÇÃO DE VIBRAÇÃO

Vibração característica ponderada	$a_h = 1.339 \text{ m/s}^2$ $K = 1.5 \text{ m/s}^2$
-----------------------------------	--

O valor total declarado da vibração poderá ser utilizado para comparar uma ferramenta com outra e poderá também ser utilizado numa avaliação preliminar de exposição.

! **Aviso:** Os valores de emissão de vibração durante a utilização da ferramenta podem divergir dos valores declarados, dependendo da forma como a ferramenta é utilizada, dependendo dos exemplos seguintes e de outros modos de utilização:

O modo como a ferramenta é utilizada, os materiais a cortar ou perfurar.
A ferramenta estar em boas condições e bem conservada.
A utilização do acessório correcto para a ferramenta e a garantia de que está afiada e em boas condições.
A firmeza com que se segura nas pegas e se quaisquer acessórios vibratórios são utilizados
Se a ferramenta é utilizada para o objectivo para a qual foi concebida e segundo as instruções.

Esta ferramenta pode causar síndrome de vibração mão-braço, se não for adequadamente utilizada.

! **Aviso:** Para ser preciso, uma estimativa do nível de exposição nas condições actuais de utilização devem ter em conta todas as partes do ciclo de operação, como tempos em que a ferramenta está desligada e quando está em funcionamento, mas inactiva, ou seja, não realizando o seu trabalho. Isto poderá reduzir significativamente o nível de exposição durante o período total de trabalho.

Como minimizar o seu risco de.
Mantenha esta ferramenta de acordo com as instruções e bem lubrificada (quando aplicável)
Se a ferramenta for utilizada regularmente, invista em

acessórios anti-vibração.
Planeie o seu horário de trabalho de forma a distribuir a utilização de ferramentas de alta vibração ao longo de vários dias.

ACESSÓRIOS

	WG620E	WG620E.2	WG620E.4	WG620E.9	WG620E.10
Mangueira (6 m)	1	1	1	1	1
Lança de limpeza a pressão	1	1	1	1	1
Bocal de jato múltiplo	1	1	1	1	1
Conjunto de baterias (WA3551)	1	1	2	/	1
Carregador (WA3880)	1	1	1	/	1
Escova (WA4048)	/	1	1	/	/
Frasco de detergente (WA4036)	/	1	1	/	/
Balde de água dobrável (WA4015)	/	1	1	/	/
Conector da tampa da garrafa (WA4038)	/	1	1	/	1
Bocal Turbo (WA4037)	/	/	/	/	/
Rodo de janela com pulverizador de água (WA4050)	/	/	/	/	/
Cabo extensível (WA4012)	/	/	/	/	/
Adaptador de ligação rápida giratório (WA4039)	/	/	/	/	/
Escova de limpeza rotativa (WA4042)	/	/	/	/	/
Lavadora elétrica ajustável (WA1820 / WA1821)	/	/	/	/	/
Cabo curto (WA4013)	/	/	/	/	1

Recomendamos-lhe que compre todos os acessórios no fornecedor onde tenha adquirido a ferramenta. Para mais pormenores, consulte a embalagem destes. Os comerciais também podem ajudar e aconselhar.

INSTRUÇÕES DE FUNCIONAMENTO





NOTA: Antes de utilizar a ferramenta, leia atentamente o livro de instruções.

Utilização conforme as disposições

Esta ferramenta destina-se a limpar e aregar.

MONTAGEM E FUNCIONAMENTO

AÇÃO	FIGURA
ANTES DO FUNCIONAMENTO	
Instalar o conjunto de pilhas	Ver Fig. A1
Remover o conjunto de pilhas	Ver Fig. A2
Verificação da condição da bateria NOTA: A Fig. A3 apenas se aplica ao conjunto de bateria com luz indicadora da bateria.	Ver Fig. A3
Carregamento da bateria Pode encontrar mais detalhes no manual do carregador	Ver Fig. A4, A5
MONTAGEM	
Fixação da lança de limpeza a pressão ao bocal de alimentação NOTA: após a ligação, alinhar as duas projeções no cabo com as ranhuras do bocal de jato, conforme indicado na Fig. B.	Ver Fig. B
Fixação do bocal de jato múltiplo  NOTA: após a ligação, rodar o bocal esquerdo e direito para certificar-se de que o bocal está na posição correta e puxe gentilmente para garantir que está bloqueado na posição de forma segura.	Ver Fig. C
Ligar a mangueira ao bocal de jato NOTA: Depois da mangueira estar ligada, verifique a ligação ao puxar a mangueira com cuidado. Não deve ser possível retirá-la.	Ver Fig. D1, D2
Ligar a sua própria mangueira (opcional) 1. Remova o adaptador da mangueira 2. Ligue a mangueira doméstica com os conectores adequados NOTA: exceto para a mangueira fornecida, pode também ligar o bocal de jato à sua própria mangueira com os conectores adequados. NOTA: verifique se o filtro está em falta antes de voltar a apertar o adaptador da mangueira. Quando voltar a apertar o adaptador da mangueira, aperte-o firmemente. Caso contrário, este poderá não extrair água suficiente para um funcionamento correto.	Ver Fig. E1, E2, E3

<p>FUNCIÓNAMENTO</p> <p>⚠️ ADVERTÊNCIA: A bateria fornecida não é impermeável. Para evitar o risco de avaria da bateria, proteja a bateria contra a exposição à água durante a utilização. Armazene a ferramenta e a bateria num local seco após a utilização.</p>	
<p>Comear</p> <p>NOTA: Na primeira utilização ou após armazenamento prolongado, é recomendável fixar a torneira ou esperar vários minutos para esvaziar o ar até que a água suba ao longo da mangueira e comece a borrfirar..</p>	Ver Fig. F1,F2,F3
<p>Selecionar o padrão do bocal</p> <p>NOTA: Escolha um padrão de bocal adequado, de acordo com o trabalho que vai realizar. Os padrões de jato 0°, 15°, 25° e 40° são aplicáveis para limpeza e o padrão de jato com o símbolo  é mais adequado à rega.</p> <p>⚠️ AVISO: Não altere o padrão do bocal quando a ferramenta está ligada.</p>	Ver Fig. G
<p>Limpeza</p> <p>⚠️ AVISO: Não ligue a máquina às fontes de água que possuem sujidade, ferrugem, lama ou corrosão (incluindo líquidos de limpeza de janelas, alimentos vegetais ou fertilizantes, etc.)</p> <p>NOTA: para uma manutenção adequada após utilizar com água do mar, o produto deve ser lavado com água potável.</p>	Ver Fig. H, I
Rega	Ver Fig. J

para armazenar. (Ver Fig. M1, M2)

4. Bocal Turbo (WA4037, vendido separadamente)

O bocal turbo fornece 360° de água em rotação, que limpa uma área superior ao padrão de água de 0° durante o mesmo período de tempo. Utilização recomendada com uma definição de alta pressão (consulte a fig. N)

5. Rodos de janela com pulverizador de água (WA4050, vendido separadamente)

A ligação rápida dos rodos de janela encaixa-se perfeitamente na ferramenta de modo a pulverizar a água ou para remover a mesma dos vidros ou das superfícies com azulejo. Compatível com o dispositivo de limpeza elétrico HydroShot ou com a lança de extensão (consulte as fig. O1, O2, O3 e O4).

6. Conector da tampa da garrafa (WA4038, vendido separadamente)

O acessório do conector da tampa da garrafa permite à ferramenta ligar diretamente com a maioria das garrafas de 2 litros com aberturas de aproximadamente 1". (NOTA: Pode não encaixar em todas as garrafas de água e refrigerantes de consumo) (consulte as fig. P1, P2 e P3)

AVISO: Não instale o acessório do conector da tampa da garrafa até estar pronto para utilização. As aberturas dos acessórios irão vaziar líquidos, se for instalada uma garrafa, com a máquina situada na superfície.

7. Adaptador de ligação rápida giratório (WA4039, vendido separadamente)

O Adaptador de ligação rápida giratório permite ajustar completamente as pontas de limpeza elétricas até 180° em qualquer direção. Ideal para limpeza em redor de áreas de difícil alcance. Adequado para a lavadora elétrica HYDROSHOT™ e bocal de aspersão múltipla (Ver Fig. Q1, Q2)

8. Escova de limpeza rotativa (WA4042, vendido separadamente)

O acessório da escova de limpeza rotative encaixa facilmente na ferramenta para limpeza de superfícies sensíveis e em torno de espaços apertados. Adequada para a lavadora elétrica HYDROSHOT™ com/sem a lança extensível instalada. (Ver Fig. R)

9. Lavadora elétrica ajustável (WA1820 / WA1821, vendido separadamente)

O acessório da lavadora rotativa alimentada a água encaixa facilmente na ferramenta para limpeza de superfícies duras. Adequado para a lavadora elétrica HYDROSHOT™ com/sem a lança extensível instalada. (Ver Fig. S, T, U)

A cabeça da lavadora suave (WA1820) é aplicável para superfícies sensíveis e a lavadora de escovas duras (WA1821) é aplicável para limpeza de superfícies duras (não recomendado para automóveis).

ACESSÓRIOS DE FIXAÇÃO

Foram fornecidos vários acessórios com este produto e são necessários para utilização em diferentes aplicações. **Não tente utilizar a função de limpeza sem um cabo ou qualquer acessório fixado.**

1. Frasco de detergente (WA4036, vendido separadamente)

O frasco de detergente fornece espuma de detergente para uma limpeza mais profunda da sujidade. Deve ser utilizado em conjunto com o bocal de jato ou com o cabo extensível. (Ver Fig. K1, K2)

2. Escova (WA4048, vendido separadamente)

A escova serve para limpar carros, barcos, motas, etc. Deve ser utilizada em conjunto com o bocal de jato ou cabo extensível. (Ver Fig. L1, L2)

3. Balde de água dobrável (WA4015, vendido separadamente)

O balde de água dobrável permite-lhe ligar ao fornecimento de água quando está longe da fonte de água. Quando não está a ser utilizado, pode ser dobrado

MANUTENÇÃO

Remova o conjunto de pilhas da ferramenta antes de realizar qualquer ajuste, reparação ou manutenção.

Verifique se existem danos ou peças desgastadas no produto antes de cada utilização. Não opere o aparelho se encontrar peças danificadas ou desgastadas. Entre em contacto com o fornecedor ou fabricante para obter peças de substituição.

Manutenção do filtro da mangueira

Remova o filtro da mangueira da mangueira e retire o filtro. Enxague as peças com água limpa antes de voltar a montar. (Ver Fig. V1, V2)

Manutenção da tela de filtro

Remova o adaptador da mangueira para obter a tela do filtro. (Ver Fig. E1, E2) Lave com água limpa antes de remontar.

NOTA: Quando reapertar o adaptador da mangueira, por favor, aperte firmemente. Caso contrário, não pode tirar qualquer água para o funcionamento correto.

 **AVISO: Qualquer outro serviço deve ser executado por um representante de serviço autorizado.**


LIMPEZA / ARMAZENAMENTO

Antes do Armazenamento, drenar completamente toda a água da máquina e da mangueira.

Limpe a caixa de plástico moldado da máquina utilizando uma escova suave e um pano de limpeza. Não utilize água, solventes ou verniz. Guarde sempre o seu num local seguro e seco fora do alcance das crianças. Não coloque outros objetos por cima.

Armazene a máquina e os acessórios num local livre de geada.

PROTEÇÃO AMBIENTAL

 Os equipamentos elétricos não devem ser depositados com o lixo doméstico. Se existirem instalações adequadas deve reciclá-los. Consulte a sua autoridade local para tratamento de lixos ou fornecedor para obter aconselhamento sobre reciclagem.

DECLARAÇÃO DE CONFORMIDADE

Nós,
Positec Germany GmbH
Grüner Weg 10, 50825 Cologne, Germany

declaramos que o produto,
Descrição **Pistola de água com bateria**
Tipo **WG620E WG620E.2 WG620E.4 WG620E.9 WG620E.10 (620-649 - designação de maquinaria, representação da pistola de jato de água com bateria)**
Função **Limpar e regar**

Cumpre as seguintes Diretivas:
2006/42/EC, 2014/30/EU, 2011/65/EU&(EU)2015/863, 2000/14/EC rectificada em 2005/88/EC

2000/14/EC rectificada em 2005/88/EC:
- Processo de Avaliação de Conformidade segundo **Annex V**
- Nível de Volume de Som Medido **84.8 dB**
- Nível de Volume de Som Garantido **87dB**

Normas em conformidade com:
EN 60335-1, EN 60335-2-54, EN 62233, EN ISO 3744, EN 55014-1, EN 55014-2

Pessoa autorizada a compilar o ficheiro técnico,
Nome Marcel Filz
Endereço Positec Germany GmbH Grüner Weg 10, 50825 Cologne, Germany



2020/11/23
Allen Ding
Engenheiro-chefe adjunto, Teste e Certificação
Positec Technology (China) Co., Ltd
18, Dongwang Road, Suzhou Industrial
Park, Jiangsu 215123, P. R. China

RESOLUÇÃO DE PROBLEMAS

Problemas	Causas possíveis	Ação
A máquina liga, mas não extrai água ou não há pressão suficiente.	O bocal elétrico está demasiado afastado da superfície de fonte de água.	Baixe a máquina abaixo dos 5 pés/1,5 m.
	O filtro da mangueira está bloqueado.	Retire o filtro da mangueira e lave as peças com água limpa. (Ver Fig. V1, V2)
	A mangueira de jardim não está bem ligada à máquina.	Verifique e fixe bem a mangueira de jardim. (Ver Fig. E1, E2, E3)
	Adaptador da mangueira solto. Filtro em falta. (Ver Fig. E2)	Aperte bem o adaptador da mangueira com uma chave. Entre em contacto com o agente de serviço Worx para obter um filtro.
	A bomba, a mangueira ou outras peças estão congeladas devido às temperaturas exteriores.	Aguarde pelo descongelamento da bomba, mangueira ou outras peças.
	A mangueira dobra.	Estique a mangueira.
O bocal com vários padrões de pulverização tem fugas.	O padrão do bocal não pulveriza corretamente.	Certifique-se de que o símbolo do padrão do bocal está alinhado com a marca do indicador na ferramenta.
	Perno de fixação no bocal com vários padrões de pulverização solto.	Aperte com uma chave sextavada.
106 A pressão de saída aumenta subitamente.	O bocal com vários padrões de pulverização está bloqueado.	Substitua por um novo bocal com vários padrões de pulverização.
A máquina drena a água depois de parar.	Há água na lança e na bomba depois da paragem.	Drene toda a água completamente antes do armazenamento.
O acessório de detergente não pulveriza detergente.	Obstrução no frasco de detergente.	Limpe com água doce.
A máquina não arranca.	O conjunto de baterias não está bem colocado.	Volte a colocar o conjunto de baterias.
	O conjunto de baterias está vazio.	Substitua por um novo conjunto de baterias ou recarregue o conjunto de baterias.
	A bateria está defeituosa.	Substitua a bateria.
A pressão da máquina não é consistente.	O ar adicional pode ser aspirado para a máquina.	Verifique a ligação entre o adaptador da mangueira e a mangueira.
	Está na configuração de baixa pressão.	Não é necessária qualquer ação.
A máquina para automaticamente.	O conjunto de baterias está vazio.	Substitua por um novo conjunto de baterias ou recarregue o conjunto de baterias.
	O bocal com vários padrões de pulverização está bloqueado. A proteção atual está ativada.	Remova o bocal com vários padrões de pulverização e ligue a máquina. Se a máquina funcionar normalmente, substitua por um novo bocal com vários padrões de pulverização.

PRODUKTSÄKERHET GENERELLA SÄKERHETSVARNINGAR

 **VARNING! Läs alla instruktioner.** *Följs inte alla nedanstående instruktioner kan det leda till elektriska stötar, brand och/ eller allvarliga skador. Save all warnings and instructions for future reference.*

Spara alla varningar och instruktioner för framtida bruk.

- Denna maskin kan användas av personer med nedsatt fysisk, sensorisk mental förmåga eller brist på erfarenhet eller kunskap om de instrueras om hur man använder den på ett säkert sätt och alla faror förknippade med den samt använder den under uppsikt. Barn ska inte leka med apparaten.
- Apparaten bör endast användas med den strömförsörjningsenhet den har försetts med.

Kompletterande säkerhetsregler

1. Vätska får inte riktas mot apparater som innehåller

- elektriska komponenter.
2. Ta ut teller koppla bort batteripacket varje gång du är klar med maskinen eller när den ska underhållas.
3. Apparaten får inte lämnas oövervakad när den är ansluten till elnätet.
4. Apparaten skall inte användas om den tappats, om det finns synliga skador eller om den läcker.
5. Förvara apparaten utom räckhåll för barn när den är strömsatt.

Säkerhetsföreskrifter för batteriet

- a) **Ta inte isär batteriet, öppna inte heller batteriet eller sära på battericeller.**
- b) **Kortslut inte batteriet. Förvara inte batteriet på ett slarvigt sätt i en låda där det kan kortslutas eller skadas av ledande material.** När batteriet inte används, håll det borta från metallobjekt, såsom pappersgem, pengar, nycklar, naglar, skruvar eller andra små metallobjekt som kan leda ström från en terminal till en annan. Om batteriterminalerna kortsluter varandra kan de

förorsaka brandrisk.

c) Exponera inte batteriet för eld eller värme. Undvik förvaring i direkt solljus.

d) Utsätt inte batteriet för mekanisk chock.

e) Om batteriet läcker, låt inte vätskan komma i kontakt med hud eller ögon. Om så ändå skulle hända, skölj med mycket vatten och sök läkarhjälp.

f) Sök omedelbar läkarhjälp om någon har svält en battericell eller batteriet.

g) Håll batteriet rent och torrt.

h) Torka av batteriet om det blir smutsigt med en torr, ren trasa.

i) Batteriet måste laddas före användning. Använd den här bruksanvisningen för att ladda batteriet korrekt.

j) Låt inte batteriet stå på laddning när det inte används.

k) Efter lång tids användning kan det bli nödvändigt att ladda och ladda ur batteriet många gånger för att nå maximal prestanda.

l) Batterier fungerar bäst när de används vid

normal rumstemperatur (20°C ± 5°C).

m) När du kasserar batteriet, se till att hålla batterier med olika elektrokemiska system ifrån varandra.

n) Ladda endast med laddare av varumärket Worx. Använd ingen annan laddare än den som specifikt ska användas med det här batteriet. *En laddare som passar för en viss typ av batteri kan förorsaka brandrisk vid användning tillsammans med ett annat batteri.*

o) Använd inte ett batteri som inte är avsett för användning med det här verktyget.

p) Håll batteriet borta från barn.

q) Behåll den ursprungliga bruksanvisningen för framtida användning.

r) Plocka ur batteriet från verktyget då det inte används.

s) Kassera batteriet på rätt sätt.

t) Blanda inte celler från olika tillverkning, kapacitet, storlek eller typ inom en enhet.

u) Avlägsna inte

**batteriet från
originalförpackningen
tills det är nödvändigt för
användningen.**

**v) Observera plus (+) och
minus (-) märkningen på
batteriet och säkerställa
korrekt användning.**

SYMBOLER

	Varning
	Läs bruksanvisningen
	Uttjänade elektriska maskiner får inte kasseras som hushållsavfall. Använd återvinningsfaciliteter om det finns tillgängligt. Kontrollera med din återförsäljare eller vilka lokala föreskrifter som föreligger.
 Li-Ion	Kasta inte batterier i soptunnan. Lämna uttjänta batterier till din lokala uppsamlings eller återvinningsstation.
	Får ej uppeldas.
	Får ej utsättas för regn eller vatten.
	Avlägsna batteriet från hylsan innan justeringar, service eller underhåll utförs.
	Lås upp



Lås

KOMPONENTER

1. LÅSNINGSKNAPP FÖR STRÖMBRYTAREN
2. BATTERIPAKETETS LÅSNING
3. BATTERIPAKET *
4. STRÖMBRYTARE
5. SLANGADAPTER
6. ELMUNSTYCKE
7. TRYCKTVÄTTSMUNSTYCKE
8. MUNSTYCKESADAPTER
9. MULTISPRAYMUNSTYCKE
10. FIXERINGSSPIK
11. SLANGKONTAKT
12. SLANGFILTER
13. SLANGCLIP
14. SLANG
15. FLOTTÖR
16. SÅPFLASKA* (WA4036)
17. BORSTE* (WA4048)
18. HOPVIKBAR VATTENHINK* (WA4015)
19. FILTERSIL (SE FIG. E2)
20. TURBOMUNSTYCKE* (WA4037)
21. FÖNSTERSKRAPA MED VATTENSPRUTA* (WA4050)
22. KAPSYLANSLUTARE* (WA4038)
23. VRIDBAR SNABBKOPPLINGSADAPTER* (WA4039)
24. ROTERANDE RENGÖRINGSBORSTE* (WA4042)
25. JUSTERBAR SUPERBORSTE* (WA1820 / WA1821)
26. KORT RÖR* (WA4013)

*Avbildat eller beskrivet tillbehör ingår delvis inte i

leveransomfånget.

TEKNISK INFORMATION

Typ **WG620E WG620E.2 WG620E.4 WG620E.9
WG620E.10 (620-649 - beteckning av maskiner,
representant för batteridrivna tvättmaskin)**

	WG620E WG620E.2 WG620E.4 WG620E.10	WG620E.9
Spänning	20 V Max**	
Max. tryck	2.4Mpa (24bar)	
Nominellt tryck	2.2Mpa (22bar)	
Max flödes hastighet	120L/h	
Max. ingångstryck för vatten	0.6Mpa (6bar)	
Sughöjd	Max. 1.5m	
Maskinvikt (med rör)	1.7kg	1.3kg

**Spänning uppmätt utan belastning. Initial batterispanning är max. 20 V. Nominell spänning är 18 V.

BULLERINFORMATION

110	Uppmätt ljudtryck	L_{PA} : 73.8 dB(A)
	Uppmätt ljudstyrka	L_{WA} : 84.8 dB(A)
	K_{PA}	2.35dB(A)

Använd hörselskydd.



VIBRATIONSINFORMATION

Typisk uppmätt vibrering	$a_h = 1.339 \text{ m/s}^2$ $K = 1.5 \text{ m/s}^2$
--------------------------	--

Det angivna totala vibrationsvärdet kan användas för att jämföra olika verktyg med varandra samt vid en preliminär exponeringsutvärdering.

WARNING: Vibrationsemissionsvärdet vid användning av maskinverktyg kan skilja sig åt från det deklarerade värdet beroende på hur verktyget används och beroende på följande exempel och andra variationer av hur verktyget används:

Hur verktyget används och materialet som verktyget används med.

Verktyget är i bra skick och bra underhållet.

Användning av korrekt tillbehör till verktyget och

säkerställandet att det är vasst och i bra skick.

Beroende på hur tätt ådraget handtaget är och om några antivibrationstillbehör används.

Verktyget används som avsett enligt konstruktionen och de här instruktionerna.

Detta verktyg kan orsaka hand-arm-vibrationssyndrom om det används på felaktigt sätt.



WARNING: För att det ska bli korrekt bör en beräkning av exponeringsnivån under verkliga förhållanden vid användning också tas med för alla delar av hanteringscykeln såsom tiden när verktyget är avstängt och när det körs på tomgång utan att utföra något arbete. Detta kan betydligt minska exponeringsnivån över den totala arbetsperioden.

Hjälp för att minimera risken för vibrationsexponering. Underhåll verktyget i enlighet med dessa instruktioner och håll det välsmort (där det är nödvändigt).

Om verktyget ska användas regelbundet, investera i antivibrationstillbehör.

Planera ditt arbetsschema för att sprida ut användning av kraftigt vibrerande verktyg över flera dagar.


TILLBEHÖR

	WG620E	WG620E.2	WG620E.4	WG620E.9	WG620E.10
Slang (6m)	1	1	1	1	1
Trycktättsmunstycke	1	1	1	1	1
Multispraymunstycke	1	1	1	1	1
Batteripaket (WA3551)	1	1	2	/	1
Laddare (WA3880)	1	1	1	/	1
Borste (WA4048)	/	1	1	/	/
Såpflaska (WA4036)	/	1	1	/	/
Hopkvärl vattenhink (WA4015)	/	1	1	/	/
Kapsylanslutare (WA4038)	/	1	1	/	1
Turbomunstycke (WA4037)	/	/	/	/	/
Fönsterskrapa med vattenspruta (WA4050)	/	/	/	/	/
Förlängningsrör (WA4012)	/	/	/	/	/

Vridbar snabbkopplingsadapter (WA3039)	/	/	/	/	/
Roterande rengöringsborste (WA4042)	/	/	/	/	/
Justerbar superborste WA1820 / WA1821)	/	/	/	/	/
Kort rör (WA4013)	/	/	/	/	1

Vi rekommenderar att du endast köper originaldelar enligt ovanstående lista från den butik där du köpte enheten. Se tillbehörsförpackningen för mer information. Butikspersonalen kan hjälpa dig och ge råd.

BRUKSANVISNING

 **OBS:** Innan du använder verktyget, läs noggrant igenom bruksanvisningen.

ÄNDAMÅLSENLIG ANVÄNDNING

Detta verktyg är avsett för rengöring och bevattning.

MONTERING OCH DRIFT

ÅTGÄRD	FIGUR
INNAN ENHETEN TAS I BRUK	
Sätta i batteripaket	Se Fig. A1
Ta bort batteripaket	Se Fig. A2
Kontroll av batteriets skick OBS: Figur A3 gäller endast batteripack med batterilampor.	Se Fig. A3
Ladda batteriet Mer detaljer finns i laddarens handbok	Se Fig. A4, A5
MONTERING	
Fäst tryckrengöringsmunstycket i kraftmunstycket OBS: När du fäster de två utskjutningarna på röret med spåren på elmunstycket enligt fig. B.	Se Fig. B
Fästa multispraymunstycket  OBS: när du fäster munstycket vrider du det till vänster och höger för att se till att det ligger rätt och dra försiktigt i det för att se till att det sitter säkert.	Se Fig. C
Fäst slangen i munstycket OBS: Efter att slangen har fasts kontrollerar du anslutningen genom att försiktigt dra i slangen. Den ska inte kunna dras av.	Se Fig. D1, D2

Fästa din egen vattenslang (tillval)
1. Avlägsna slangadaptern
2. Fäst trädgårdsslangen med en lämplig kontakt
OBS: Utöver den inkluderade slangen kan du även ansluta elmunstycket till din egen vattenslang med lämpliga kontakter.
OBS: Kontrollera om filtersilen saknas innan du drar åt slangadaptern. När du drar åt snabbadaptern, se till att den sitter säkert. Annars kan den inte pumpa tillräckligt med vatten.



Se Fig. E1, E2, E3

DRIFT


 **VARNING: Det medföljande batteriet är inte vattentätt. För att undvika batterifel bör du skydda batteriet från att utsättas för vatten under användning. Förvara verktyg och batteri på en torr plats efter användning.**

Starta
OBS: Vid första användning eller efter förvaring under lång tid rekommenderas att ansluta munstycket eller vänta i flera minuter för att tömma ut luften tills vattnet kommer långs slangen och sprutar ut.

Se Fig. F1, F2, F3

Välja sprayläge
OBS: Välj ett lämpligt sprayläge efter arbetet du utför. Spraylägena 0°, 15°, 25° och 40° är lämpliga för rengöring och sprayläget med symbolen  är lämpligt för bevattning.
 **VARNING:** Ändra inte sprayläget medan verktyget är på.

Se Fig. G

Rengöring
 **VARNING: Anslut inte maskinen till vattentäcker som är smutsiga, rostiga, leriga eller frätande. (Inklusive fönsterrengöringsvätskor, vegetabiliska livsmedel eller gödningsmedel etc.)**
OBS: För korrekt underhåll efter användning i havsvatten, bör produkten sköljas med färskvatten.

Se Fig. H, I

Bevattning

Se Fig. J

MONTERA TILLBEHÖR

Ett antal tillbehör ingår i produkten och krävs för olika typer av användning. **Rengör inte utan ett rör eller annat tillbehör monterat.**

1. Såpflaska (WA4036, säljs separat)

Såpflaskan innehåller rengöringsmedel för djupgående rengöring. Den används med elmunstycket eller

förlängningsröret. (Se Fig. K1, K2)

2. Borste (WA4048, säljs separat)

Borsten är avsedd för att rengöra bilar, båtar, motorcyklar etc. Den används tillsammans med elmunstycket eller förlängningsröret. (Se Fig. L1, L2)

3. Hopvikbar vattenhink (WA4015, säljs separat)

Den hopvikbar vattenhink ger dig vatten om du är långt bort från en vattenkälla. När den inte används kan den vikas ihop för att enklare förvaras. (Se Fig. M1, M2)

4. Turbomunstycke (WA4037, säljs separat)

Turbomunstycket levererar vatten roterande i 360°, vilket rengör ett större område än 0° vattenmönster under samma tidsperiod. Rekommenderad användning med hög tryckinställning (Se fig. N)

5. Fönsterkrapa med vattenspruta (WA4050, säljs separat)

Fönsterkrapans snabbkoppling snäpper lätt i verktyget för att spruta vatten eller torka bort vatten från glas eller kaklade ytor. Lämplig för HydroShot power rengörare eller förlängningslansen. (Se fig. O1, O2, O3, O4)

6. Kapsylanslutare (WA4038, säljs separat)

Kapsylanslutare är ett tillbehör som gör att verktyget kommer i direktkontakt med de flesta 2 liters flaskor med cirka 1" öppningar (OBS: Kanske inte passar alla läsk- och vattenflaskor) (Se fig. P1, P2, P3)

WARNING: Installera inte kapsylanslutaren förrän den är redo att användas. Tillbehörets ventiler kommer att läcka vätska, om flaskan blir installerad, med medans maskinen ligger på en yta.

7. Vridbar snabbkopplingsadapter (WA3039, säljs separat)

Den vridbara snabbkopplingsadaptern gör att tillbehör kan vridas 180° i alla riktningar. Passar perfekt för att tvätta svåråtkomliga utrymmen. Passar HYDROSHOT™ supertvätt och multispraymunstycke (se bild Q1 och Q2)

8. Roterande rengöringsborste (WA4042, säljs separat)

Den roterande rengöringsborsten går enkelt att fästa i verktyget och passar bra för att göra rent känsliga underlag och runt trånga utrymmen. Passar HYDROSHOT™ supertvätt med eller utan förlängningsmunstycket installerat. (Se bild R)

9. Justerbar superborste (WA4043, säljs separat)

Denna vattendrivna, roterande superborste går enkelt att fästa i verktyget och passar bra för att tvätta hårda underlag. Passar HYDROSHOT™ supertvätt med eller utan förlängningsmunstycket installerat. (Se bild S, T, U) Det mjuka borsthuvudet (WA1820) passar känsliga underlag och huvudet med hårda (WA1821) strån passar för att tvätta hårda underlag (rekommenderas ej för bilar).

UNDERHÅLL

Avlägsna batteripaketet från verktyget innan du

utför någon typ av justering, service eller underhåll.

Kontrollera alltid produkten för skadade eller slitna delar innan den används. Använd inte produkten om någon del är skadad eller utsliten. Kontakta din leverantör eller tillverkaren för reservdelar.

Underhålla slangfiltret

Ta ut slangfiltret från slangen och ta ut silen. Skölj delarna med rent vatten innan du sätter tillbaka dem. (Se Fig. V1, V2)

Underhåll av filterskärm

Ta av slangadaptern för att få filtret. (Se Fig. E1, E2) Innan återmontering, tvätta med vatten.

OBS: Dra åt sladdadaptern när du sätter på den igen. Annars kanske du inte kan extrahera vatten för normal drift.



WARNING: Alla andra tjänster ska utföras av en auktoriserad servicerepresentant.

REMGÄROMG / FÖRVARING

Innan förvaring måste allt vatten i maskinen och slangen tömmas helt.

Maskinens plasthölje med en mjuk borste och en ren duk. Använd inte vatten, lösningsmedel eller polermedel. Förvara alltid på en säker, torr plats och utom räckhåll för barn. Placera inga andra föremål ovanpå maskinen. Förvara maskinen och tillbehören i ett frostfritt utrymme.

MILJÖSKYDD



Elektriska avfallsprodukter får inte kasseras med hushållsavfallet. Återvinn på återvinningscentraler. Kontakta dina lokala myndigheter eller återförsäljaren för återvinningsråd.

FELSÖKNING

Problem	Möjliga orsaker	Korrigerande åtgärd
Maskinen går igång men den drar inget vatten eller tillräckligt tryck saknas.	Elmunstycket är för högt från vattenkällans yta.	Sänk maskinen under 5ft/1.5m.
	Slangfiltret är blockerat.	Ta ut slangfiltret och spola delarna med rent vatten. (Se Fig. V1, V2)
	Användarens trädgårdsslang är inte rätt ansluten till maskinen.	Kontrollera och sätt tillbaka trädgårdsslangen så att den sitter tätt. (Se Fig. E1, E2, E3)
	Slangadaptorn lossnar.	Dra åt slangadaptorn med en skiftnyckel.
	Filtersilen saknas. (Se Fig. E2)	Kontakta Worx serviceverkstad för att få en filtersil.
	Pump, slang eller andra delar är frusna på grund av utomhustemperatur.	Vänta på att pumpen, slangen eller andra delar ska tina.
	Slangböjar.	Räta ut slangen.
Multispraymunstycket läcker.	Munstyckemönstret sprayar inte korrekt.	Säkerställ att munstyckemönstersymbolen är i linje med verktygets indikeringsmärke.
	Multispraymunstyckets fixeringsspik lossnar.	Dra åt med en insexnyckel.
Utloppstryck ökar plötsligt.	Multispraymunstycket är blockerat.	Ersätt med ett nytt multispraymunstycke.
Maskinen dränerar vatten efter att ha stannat.	Vatten finns kvar i rör och pump efter att de stoppat.	Dränera allt vatten fullständigt före lagring.
Tvåttillbehör kan inte spraya ut något rengöringsmedel.	Blockering i tvåtflaskan.	Rengör den med färskvatten.
Maskinen startar inte.	Batteripaketet är inte väl fastsatt.	Återinstallera batteripaketet.
	Batteripaketet är tomt.	Ersätt med ett nytt batteripaket eller ladda batteripaketet.
	Batteriet är trasigt.	Byt ut batteriet.
Maskintryck är oregelbundet.	Ytterligare luft kunde sugas in i maskinen.	Kontrollera anslutningen mellan slangadaptorn och slangen.
	Den är på lågtrycksinställning.	Ingen åtgärd behövs.
Maskinen stoppar automatiskt.	Batteripaketet är tomt.	Ersätt med ett nytt batteripaket eller ladda batteripaketet.
	Multispraymunstycket är blockerat. Spänningsskydd är aktiverat.	Avlägsna multispraymunstycket och slå på maskinen. Om maskinen fungerar normalt, ersätt med ett nytt multispraymunstycke.

DEKLARATION OM ÖVERENSSTÄMMELSE

Vi,
Positec Germany GmbH
Grüner Weg 10, 50825 Cologne, Germany

förklarar att denna produkt,
Beskrivning **Batteridrivna tvättmaskin**
Typ **WG620E WG620E.2 WG620E.4 WG620E.9**
WG620E.10 (620-649 - beteckning av maskiner,
representant för batteridrivna tvättmaskin)
Funktion **Rengöring och bevattning**

uppfyller följande direktiv,
2006/42/EC, 2014/30/EU,
2011/65/EU&(EU)2015/863,
2000/14/EC ändrad av 2005/88/EC

2000/14/EC ändrad av 2005/88/EC:
- Konformitetsutvärderingsprocedur enligt **Bilaga V**
- Uppmätt bullernivå **84.8 dB**
- Deklarerad garanterad bullernivå **87dB**

Standarder överensstämmer med
EN 60335-1, EN 60335-2-54, EN 62233,
EN ISO 3744, EN 55014-1, EN 55014-2

Personen som godkänts att sammanställa den tekniska
filen,

114 Namn Marcel Filz
Adress Positec Germany GmbH Grüner Weg 10,
50825 Cologne, Germany



2020/11/23
Allen Ding
Vice chefsingenjör, tester och certifiering
Positec Technology (China) Co., Ltd
18, Dongwang Road, Suzhou Industrial
Park, Jiangsu 215123, P. R. China

VARNOST IZDELKA SPLOŠNA VARNOSTNA NAVODILA

! **OPOZORILO! Preberite vsa varnostna opozorila in navodila.** *Neupoštevanje opozoril in navodil lahko privede do električnega udara in/ali resnih poškodb.*

Vsa opozorila in navodila si shranite za kasnejšo uporabo.

- Te naprave naj ne bi uporabljale osebe z zmanjšanimi fizičnimi, senzoričnimi ali mentalnimi zmožnostmi, oziroma brez izkušenj ali ustreznega znanja, razen, če niso pod nadzorom osebe, ki je odgovorna za njihovo varnost oziroma niso z njeno varno uporabo ustrezno seznanjeni. Otroci naj bi se z napravo ne igrali.
- Napravo lahko uporabljate le, če imate na voljo tudi enoto za napajanje.

Dodatni varnostni predpisi

1. Curka vode ne smete nikoli usmeriti proti opremi, ki vsebuje električne komponente.
2. Pred vsakim vzdrževalnim posegom ali po uporabi, odstranite akumulator iz

ležišča.

3. Naprave v kateri je vstavljen akumulator, ne smete nikoli pustiti brez nadzora.
4. Naprave, ki vam je padla na tla in so na njej vidne poškodbe ali pušča, ne smete uporabljati.
5. Dokler je naprava pod napajanjem, jo hranite izven dosega otrok.

Varnostna opozorila za akumulator

- a) Ne razstavlajte, odpirajte ali odstranjujte celic akumulatorja.**
- b) Pazite, da ne povzročite kratkega stika med kontaktoma akumulatorja. Akumulatorjev nikoli ne shranjujte v škatli ali predalu, kjer bi lahko prišlo do kratkega stika zaradi stika kontaktov s prevodnimi predmeti.** Kadar akumulator ni nameščen v orodju, ga hranite proč od drugih kovinskih predmetov, kot so sponke za papir, kovanci, ključi, žbljli, vijaki ali drugi drobni kovinski predmeti, ki bi lahko omogočili stik med kontaktoma. Če pride do stika med kontaktoma akumulatorja, to lahko povzroči požar.
- c) Akumulatorja ne**

izpostavljajte vročini ali ognju. Poskrbite, da ne bo izpostavljen neposredni sončni svetlobi.








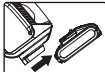

- d) Akumulatorja ne izpostavljajte mehanskim udarcem.
- e) Če opazite, da akumulator pušča, pazite, da tekočina ne bo prišla v stik z očmi. Če akumulatorska tekočina vseeno pride v stik z očmi, izperite prizadeto območje z obilo vode in poiščite zdravniško pomoč.
- f) Predvsem pa takoj poiščite medicinsko pomoč, če ste celico ali del akumulatorja zaužili.
- g) Akumulator shranjujte na čistem in suhem mestu.
- h) Če se akumulator zamaže, ga takoj očistite s čisto in suho krpo.
- i) Akumulator morate pred uporabo napolniti. Pri polnjenju akumulatorja vedno upoštevajte predpisana navodila in postopke.
- j) Če akumulatorja ne polnite, ga odstranite iz polnilca.
- k) Po daljšem obdobju skladiščenja, boste za doseg maksimalne zmogljivosti akumulatorja verjetno morali slednjega nekajkrat napolniti in

izprazniti.

- l) Akumulator deluje najbolj učinkovito, če ga uporabljate pri običajni sobni temperaturi ($20^{\circ}\text{C} \pm 5^{\circ}\text{C}$).
- m) Pri odlaganju akumulatorja pazite, da boste akumulatorje, ki imajo različne elektrokemične sisteme zavrgli ločeno.
- n) Za polnjenje uporabljajte le polnilnike, ki jih je predpisal **Worx**. *Nikoli ne uporabljajte polnilnikov, ki niso posebej namenjeni za polnjenje vašega akumulatorja. Polnilec, ki je lahko primeren za polnjenje ene vrste akumulatorjev, lahko pri drugi povzroči nevarnost požara.*
- o) **Nikoli ne uporabljajte polnilcev, ki niso posebej zasnovani za polnjenje vašega akumulatorja.**
- p) Akumulatorje shranjujte izven dosega otrok.
- q) Za podrobnosti, si oglejte gradivo, ki je bilo priloženo akumulatorju.
- r) Če orodja ne uporabljate, iz njega odstranite akumulator.
- s) Akumulatorje odlagajte skladno s predpisi
- t) V napravi ne uporabljajte celic različnih proizvajalcev, zmogljivosti, velikosti ali

- tipa.
- u) **Akumulator odstranite iz originalne embalaže šele, ko ga boste potrebovali.**
- v) **Upoštevajte znaka plus (+) in minus (-) na akumulatorju ter poskrbite za njegovo pravilno uporabo.**

SIMBOLI

	Opozorilo
	Preberite uporabniški priročnik.
	Odpadnih električnih naprav ne smete zavreči skupaj z ostalimi gospodinjstvi odpadki. Dostavite jih na mesto za ločeno zbiranje odpadkov. Glede podrobnosti, se posvetujte z lokalno službo za ravnanje z odpadki.
 Li-Ion 	Akumulatorjev ne zavrzite skupaj z ostalimi odpadki, temveč jih dostavite na mesto za ločeno zbiranje odpadkov.
	Prepovedano sežiganje.
	Ne izpostavljajte dežju ali vodi.
	Pred vsakim prilagajanjem, servisiranjem ali vzdrževanjem izvlcite akumulator iz ležišča.
	Odklenjeno



Zaklenjeno

SESTAVNI DELI

1. GUMB ZA SPROSTITEV
2. GUMB ZA SPROSTITEV AKUMULATORJA
3. AKUMULATOR*
4. VZVOD ZA VKLOP/IZKLOP
5. CEVNI ADAPTER
6. TLAČNA ŠOBA
7. VISOKOTLAČNA BRIZGALNA PALICA
8. ADAPTER ŠOBE
9. VEČNAMENSKA ŠOBA
10. PRIKLOP ZA ŠČETKO
11. PRIKLOP ZA CEV
12. CEVNI FILTER
13. CEVNA SPONKA
14. CEV
15. PLOVEC
16. STEKLENICA ZA ČISTILO* (WA4036)
17. ŠČETKA* (WA4048)
18. SESTAVLJIVO VEDRO ZA VODO* (WA4015)
19. MREŽICA FILTRA (GLEJTE SLIKO E2)
20. TURBO ŠOBA* (WA4037)
21. BRISALNIK STEKEL Z VODNIM RAZPRŠILNIKOM* (WA4050)
22. NASTAVEK ZA STEKLENICE* (WA4038)
23. VRTLJIV NASTAVEK ZA HITER PRIKLOP * (WA4039)
24. ROTACIJSKA ŠČETKA ZA ČIŠČENJE * (WA4042)
25. NASTAVLJIVA KRTAČA ZA ČIŠČENJE * (WA1820 / WA1821)
26. KRATKA CEV* (WA4013)

*Pri standardni dobavi niso vključeni vsi prikazani dodatki.

**2 v 1: Prenosni električni čistilnik/
škropilnik za vodo**

SL

TEHNIČNI PODATKI

Tip **WG620E WG620E.2 WG620E.4 WG620E.9 WG620E.10 (620-649 - zasnova naprave, predstavniki akumulatorskih čistilnikov)**

	WG620E WG620E.2 WG620E.4 WG620E.10	WG620E.9
Napetost	20 V Max**	
Maks. pritisk	2.4Mpa (24bar)	
Nazivni tlak	2.2Mpa (22bar)	
Maks. pretok vode	120L/h	
Maks. tlak vode na dovodu	0.6Mpa (6bar)	
Višina sesanja	Max. 1.5m	
Teža naprave (s cevjo)	1.7kg	1.3kg

**Napetost je bila izmerjena brez obremenitve. Začetna napetost akumulatorja doseže maksimum 20 V. Običajna napetost je 18 V.

PODATKI O HRUPU

Vrednotena raven zvočnega tlaka L_{PA} : 73.8 dB(A)

Vrednotena raven zvočne moči L_{WA} : 84.8 dB(A)

K_{PA} 2.35dB(A)

Uporabljajte zaščito za ušesa.



PODATKI O VIBRACIJAH

Tipična vrednotena raven vibracij $a_w = 1.339 \text{ m/s}^2$
 $K = 1.5 \text{ m/s}^2$

Deklarirano vrednost emisije vibracij lahko uporabite za primerjavo med strojčki, hkrati pa s pomočjo nje predvidite pričakovano raven izpostavljenosti.

⚠ OPOZORILO: Dejanska vrednost emisij vibracij med uporabo strojčka, se lahko razlikuje od navedene, kajti nanjo vpliva tudi način uporabe strojčka, predvsem naslednje okoliščine:

Ali je strojček v dobrem stanju in ustrezno vzdrževan.
Ali uporabljate ustrezni dodatek in njegova brezhibnost.
Čvrstost oprijema ročajev in morebitna uporaba dodatkov za zmanjševanje vibracij.
Uporaba strojčka za predviden namen, skladen s temi navodili.

Če strojčka ne uporabljate pravilno, lahko povzroči

vibracijski sindrom zapestja in rok.

⚠ OPOZORILO: Če želimo resnično natančno oceniti raven izpostavljenosti v dejanskih okoliščinah, moramo upoštevati tudi vse faze delovnega procesa, tudi število vklopov in izklopov strojčka ter čas, ko deluje v prostem teku in neobremenjeno. To lahko znatno zmanjša raven izpostavljenosti tekom celotnega delovnega procesa.

Pomoč pri zmanjševanju tveganja pri izpostavljenosti vibracijam.
Strojček vzdržujte skladno s temi navodili in poskrbite, da bo dobro namazan (kjer je potrebno).
Če boste strojček uporabljali redno, potem investirajte v dodatke za zmanjševanje vibracij.
Delo si organizirajte tako, da boste opravila z visoko ravnjo vibracij izvajali v več fazah, tekom nekaj dni.

DODATKI

	WG620E	WG620E.2	WG620E.4	WG620E.9	WG620E.10
Cev (6 m)	1	1	1	1	1
Visokotlačna brizgalna palica	1	1	1	1	1
Večnamenska šoba	1	1	1	1	1
Akumulator (WA3551)	1	1	2	/	1
Polnilec (WA3880)	1	1	1	/	1
Ščetka (WA4048)	/	1	1	/	/
Steklenica za čistilo (WA4036)	/	1	1	/	/
Sestavljivo vedro za vodo (WA4015)	/	1	1	/	/
Nastavek za steklenice (WA4038)	/	1	1	/	1
Turbo šoba (WA4037)	/	/	/	/	/
Brisalnik stekel z vodnim razpršilnikom (WA4050)	/	/	/	/	/
Daljša cev (WA4012)	/	/	/	/	/
Vrtljiv nastavek za hiter priklop (WA4039)	/	/	/	/	/


2 v 1: Prenosni električni čistilnik/škropilnik za vodo

SL

Rotacijska ščetka za čiščenje (WA4042)	/	/	/	/	/
Nastavljava krtača za čiščenje (WA1820 / WA1821)	/	/	/	/	/
Kratka cev (WA4013)	/	/	/	/	1

Priporočamo vam, da dodatke vedno kupujete v isti trgovini, kot ste kupili strojček. Za podrobnosti si oglejte razlage na embalaži kompleta dodatkov. Pri odločanju o ustreznem dodatku, vam lahko pomaga tudi osebeje v trgovini.


NAVODILA ZA UPORABO

 **OPOMBA:** Preden začnete uporabljati strojček, si pozornost preberite navodila.

Namen uporabe

To orodje je namenjeno čiščenju in zalivanju.

SESTAVLJANJE IN NAČIN UPORABE


OPRAVILO	SLIKA
PRED ZAČETKOM UPORABE	
Nameščanje akumulatorja	Glejte sliko A1
Odstranjevanje akumulatorja	Glejte sliko A2
Preverjanje stanja akumulatorja OPOMBA: Slika A3 se nanaša le na akumulatorje z indikatorsko lučko.	Glejte sliko A3
Polnjenje akumulatorja Več podrobnosti si lahko ogledate v priloženi priročniku za polnilnik	Glejte sliko A4, A5
SESTAVLJANJE	
Namestitev visokotlačne brizgalne palice na tlačno šobo OPOMBA: Pri nameščanju poravnajte peresi na koncu cevi z utoroma na tlačni šobi, kot je prikazano na sliki B.	Glejte sliko B
Priklop večnamenske šobe  OPOMBA: Po spajanju obrnite šobo proti levi in nato proti desni in povlecite oba dela narazen, da preverite, če sta elementa dobro spojena.	Glejte sliko C
Priklop cevi na tlačno šobo OPOMBA: Po spajanju preverite, če je cev pritrjena v šobo, nežno jo povlecite iz nje. Ostati bi morala pritrjena.	Glejte sliko D1, D2

Priklop lastne cevi za vodo (opcija)
1. Odstranite cevni adapter
2. S pomočjo ustreznih spojnikov, priklopite vrtno cev na napravo

OPOMBA: Na tlačno šobo lahko, poleg priložene cevi, priklopite tudi drugo cev za vodo, rabite le ustrezne spojne elemente.
OPOMBA: Pred pritrditvijo cevne adapterja, preverite, če je mrežica filtra nameščena. Poskrbite, da bo adapter za hitro pritrditev čvrsto spojen. Sicer obstaja nevarnost, da dovajanje vode ne bo ustrezno.

Glejte sliko E1, E2, E3

DELOVANJE


 **OPOMBA:** Priloženi akumulator ni vodotesen. Zaradi preprečitve nevarnosti za poškodovanje akumulatorja, slednjega med uporabo zaščitite pred izpostavljenostjo vodi. Orodje in akumulator po uporabi shranjujte na suhem mestu.

Zagon


OPOMBA: pri prvi uporabi ali po dolgotrajnem skladiščenju je priporočljivo pritrditi pipo ali počakati nekaj minut, da se zrak izprazni, dokler se voda ne dvigne po cevi in ne začne pršeti iz cevi.

Glejte sliko F1, F2, F3


Izbiranje načina šobe

OPOMBA: Način delovanja šobe izberite glede na delo, ki ga boste opravljali. Načini šobe 0°, 15°, 25° in 40° so primerni za tlačno čiščenje, način pršenja z oznako  pa je najbolj primeren za zalivanje.

Glejte sliko G

 **OPOMBA:** Medtem, ko naprava deluje, ne spreminjajte načina delovanja šobe.

Čiščenje

 **OPOMBA:** Naprave ne spajate z dovodom vode, ki je umazana, vsebuje ostanke rje, je blatna ali korozivna. (Mišljene so tudi tekočine za čiščenje stekel, škropiva ter gnojila itd.)
OPOMBA: Po uporabi z morskovo vodo, morate izdelek izprati s sladko vodo.

Glejte sliko H, I

Zalivanje

Glejte sliko J

PRIKLOP DODATKOV

Izdelku je priloženih veliko dodatkov, ki pa jih morate uporabljati na točno določen način. **Nikoli ne izvajajte čiščenja brez, da bi na napravo namestili cev ali drug dodatek.**

1. Steklenica za čistilo (WA4036, napredaj ločeno)
V steklenico za čistilo lahko natočite ustrezno čistilo, ki bo pomagalo pri odstranjevanju nečistoč. Uporabljati jo morate le skupaj s tlačno šobo

ali daljšo cevjo. (Glejte slike K1, K2)

2. Ščetka (WA4048, naprodaj ločeno)

Ščetko lahko uporabljate pri pranju avtomobilov, plovil, motociklov itd. Uporabljati jo morate le skupaj s tlačno šobo ali daljšo cevjo. (Glejte slike L1, L2)

3. Sestavljivo vedro za vodo (WA4015, naprodaj ločeno)

Sestavljivo vedro za vodo vam omogoča uporabo vode tudi če ni blizu dovoda za vodo. Ko ga ne uporabljate, ga lahko zložite in prihranite prostor. (Glejte slike M1, M2)

4. Turbo šoba (WA4037, naprodaj ločeno)

Turbo šoba dovaja 360° prho vode, zato v istem času omogoča čiščenje veliko večjega območja, kot 0° curek vode. Priporočamo uporabo višjega tlaka. (Glejte sliko N)

5. Brisalnik stekel z vodnim razpršilnikom (WA4050, naprodaj ločeno)

Brisalnik stekel zaradi mehanizma za hitri priklop omogoča enostavno namestitvev in takojšnje brisanje sloja vode s steklenih ali s ploščicami obloženih površin. Primeren je za namestitvev čistilnik HydroShot ali na podaljšek. (Glejte slike O1, O2, O3, O4)

6. Nastavek za steklenice (WA4038, naprodaj ločeno)

Nastavek za steklenice omogoča neposredno namestitvev največ 2-litrskih steklenic, ki imajo premer grla približno 1". (OPOMBA: Vseh rabljenih steklenic od gazirane ali negazirane vode, ne bo možno namestiti) (Glejte slike P1, P2, P3)

OPOMBA: Nastavka za steklenice ne nameščajte, dokler ga ne boste uporabili. Če boste steklenico namestili na napravo, ko bo ta v ležečem položaju, bo skozi odprtine za zračenje bo lahko odtekala tekočina.

7. Vrtljiv nastavek za hiter priklop (WA4039, naprodaj ločeno)

Vrtljiv nastavek za hiter priklop omogoča popolno prilagoditev tlačnih čistilnih šob za 180° v katero koli smer. Idealen je za čiščenje težko dosegljivih mest. Primeren je za visokotlačni čistilnik HYDROSHOT™ in večnamensko pršilno šobo. (Glejte sliko Q1, Q2)

8. Rotacijska ščetka za čiščenje (WA4042, naprodaj ločeno)

Rotacijsko ščetko za čiščenje lahko preprosto namestite na orodje za čiščenje občutljivih površin in mest okrog ozkih prostorov. Primerna je za visokotlačni čistilnik HYDROSHOT™ z nameščenim podaljškom cevi ali brez nameščenega podaljška cevi. (Glejte sliko R)

9. Nastavljiva krtača za čiščenje (WA1820 / WA1821, naprodaj ločeno)

Rotacijsko krtačo za čiščenje na vodni pogon lahko preprosto namestite na orodje za čiščenje trdih površin. Primerna je za visokotlačni čistilnik HYDROSHOT™ z nameščenim podaljškom cevi ali brez nameščenega podaljška cevi. (Glejte sliko S, T, U.) Mehko glavo krtače (WA1820) lahko uporabite za čiščenje občutljivih površin, krtačo s trdimi ščetinami (WA1821) pa za čiščenje trdih

površin (ne priporočamo za čiščenje avtomobilov).

VZDRŽEVANJE

Pred vsakim prilaganjem, servisiranjem ali vzdrževanjem, odstranite akumulator iz orodja.

Pred vsako uporabo, preverite, če je naprava v brezhibnemu stanju. Če opazite poškodbe ali obrabljene dele, naprave ne uporabljajte. Nadomestne dele lahko naročite pri dobavitelju naprave.

Vzdrževanje cevnega filtra

Cevni filter odstranite iz cevi ter izvlecite mrežico. Dele pred sestavljanjem izperite s čisto vodo. (Glejte slike V1, V2)

Vzdrževanje zaslona filtra

Odstranite cevni adapter, da dobite filter. (Glejte sliko E1, E2) Pred ponovno sestavljanjem sperite z vodo.

OPOMBA: Zategnite adapter cevi, ko ga zategnete. V nasprotnem primeru morda ne boste mogli izločiti vode za normalno delovanje.



OPOMBA: Vse druge storitve mora opraviti pooblaščen serveriser.

ČIŠČENJE/SHRANJEVANJE

Pred shranjevanjem iz naprave in cevi iztočite vso vodo. Blatne dele naprave očistite z mehko ščetko in jih obrišite s čisto krpo. Ne uporabljajte tekoče vode, raztopin ali polirnih sredstev. Napravo shranjujte na suhemu mestu, izven dosega otrok. Na napravo ne odlagajte drugih predmetov. Napravo in dodatke shranjujte na mestu, kjer ne bodo mogle zamrzniti.

VAROVANJE OKOLJA



Odpadnih električnih naprav ne smete zavreči skupaj z ostalimi gospodinjskimi odpadki. Dostavite jih na mesto za ločeno zbiranje odpadkov. Glede podrobnosti, se posvetujte z lokalno službo za ravnanje z odpadki.

ODPRAVLJANJE NAPAK

Napake	Morebitni vzroki	Dejanje
Pistole se spustí, ale nenasává žádnou vodu nebo chybí dostatečný tlak.	Tlačná šoba je preveč dvignjena od površine vodnega vira.	Spustite napravo pod 1,5 m od tal.
	Filter cevi je blokiran.	Odstranite filter cevi in izperite dele s čisto vodo. (Glejte slike V1 in V2)
	Vrtna cev za dovajanje vode ni dobro pritrjena na napravo.	Preverite pritrditev cevi in jo po potrebi ustrezno pritrdite. (Glejte sliko E1, E2, E3)
	Cevni adapter pušča.	S ključem ustrezno pritrdite cevni adapter.
	Mrežica filtra ni nameščena. (Glejte sliko E2)	Posvetujte se s predstavnikom Worx in naročite novo mrežico filtra.
	Črpalka, cev ali ostali deli so zaradi nizkih zunanjih temperatur zamrznjeni.	Počakajte, da se bodo zamrznjeni deli odmrznili.
	Cev je zapletena.	Razpletite in naravnajte cev.
Večnamenska šoba pušča.	Vzorec pršenja šobe ni ustrezno nastavljen.	Poskrbite, da bo oznaka vzorca pršenja poravnana z indikatorjem na orodju.
	Priklop za ščetko na večnamenski šobi pušča.	Pritrdite ga s šestoglatim ključem.
Zunanji tlak se je nenadoma povečal.	Večnamenska šoba je blokirana.	Namestite novo večnamensko šobo.
Naprava po izklopu še vedno dovaja vodo.	Po izklopu v napravi in cevi ostane še nekaj vode.	Pred shranjevanjem, iz naprave in cevi iztočite vso vodo.
Priključek za čistilo noče dovajati čistila.	Odprtina steklenice za čistilo je blokirana.	Operite jo s čisto vodo.
Naprava se ne zažene.	Akumulator ni dobro pritrjen.	Ponovno namestite akumulator.
	Akumulator je izprazen.	Namestite nov akumulator ali obstoječega napolnite.
	Akumulator je v okvari.	Zamenjajte akumulator.
Tlak v napravi ni ustrezen.	Možno, da naprava sesa dodatni zrak.	Preverite spoje med cevničnim adapterjem in cevjo.
	Nastavljen je nizek tlak.	Ni potrebno nič storiti.
Naprava se samodejno izklopi.	Akumulator je izprazen.	Namestite nov akumulator ali obstoječega napolnite.
	Večnamenska šoba je blokirana. Aktivirana je tokovna zaščita.	Odstranite večnamensko šobo in vklopite napravo. Če slednja deluje pravilno, namestite novo večnamensko šobo.

IZJAVA O SKLADNOSTI

Mi,
Positec Germany GmbH
Grüner Weg 10, 50825 Cologne, Germany

Izjavljamo, da je izdelek,
Opis izdelka **Akumulatorski čistilnik**
Vrsta izdelka **WG620E WG620E.2 WG620E.4 WG620E.9**
WG620E.10 (620-649 - zasnova naprave, predstavnik
akumulatorskih čistilnikov)
Funkcija **Čiščenje in zalivanje**

skladen z naslednjimi direktivami,
2006/42/EC, 2014/30/EU,
2011/65/EU&(EU)2015/863,
2000/14/EC spremenjena z 2005/88/EC

2000/14/EC spremenjena z 2005/88/EC:
- Postopek za ugotavljanje skladnosti, glede na **Annex V**
- Izmerjena raven zvočne moči **84.8 dB**
- Deklarirana raven zvočne moči **87dB**

in izpolnjuje naslednje standarde:
EN 60335-1, EN 60335-2-54, EN 62233,
EN ISO 3744, EN 55014-1, EN 55014-2

Oseba, ki je pooblaščenca za skladnost tehnične
dokumentacije,

Ime Marcel Filz

Naslov Positec Germany GmbH Grüner Weg 10,
50825 Cologne, Germany

122



2020/11/23
Allen Ding
Namestnik glavnega inženirja za testiranje in certificiranje
Positec Technology (China) Co., Ltd
18, Dongwang Road, Suzhou Industrial
Park, Jiangsu 215123, P. R. China

**2 v 1: Prenosni električni čistilnik/
škropilnik za vodo**

SL

WORX
it's your nature

www.worx.com

Copyright © 2021, Positec. All Rights Reserved.
AR01471504