



# YARD FORCE®

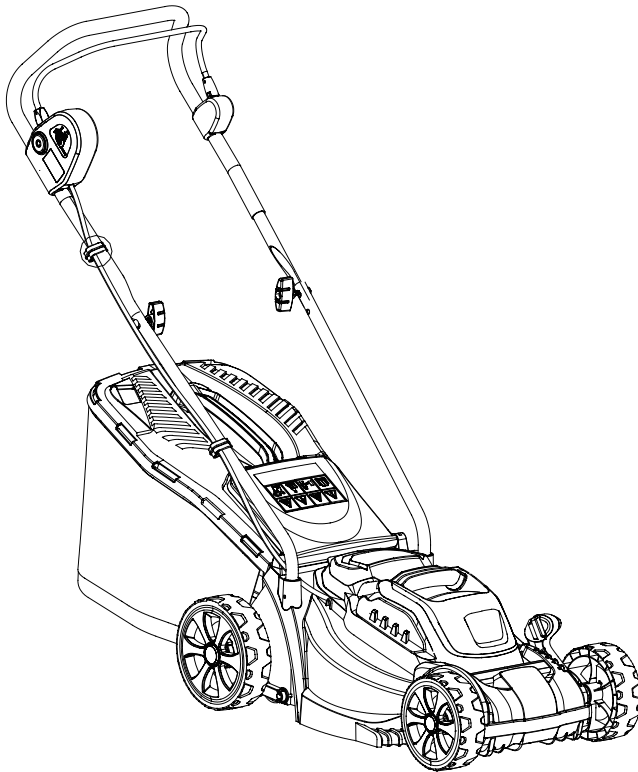
FOR LIFE ON THE GO

LM C33

GB

## 20V CORDLESS LAWNMOWER

Original Instructions

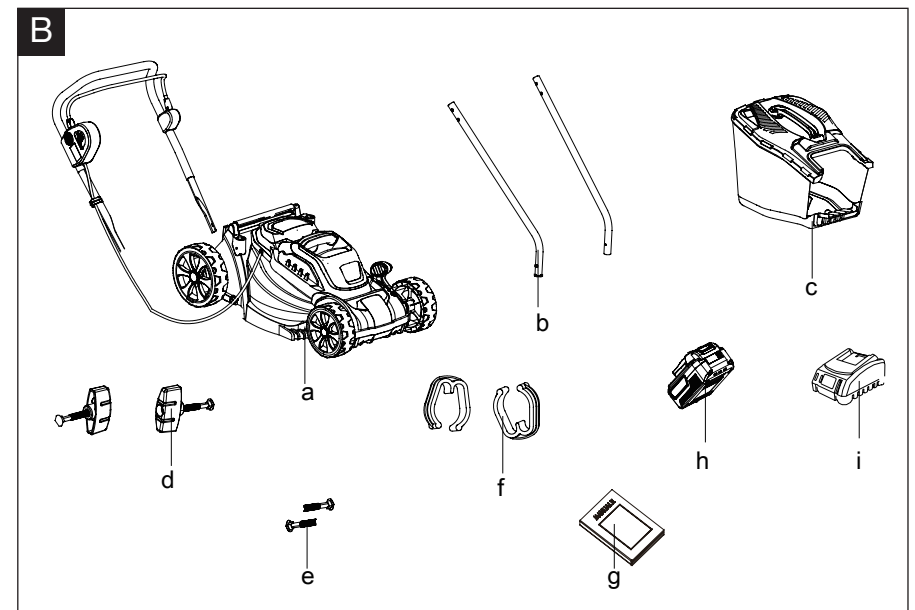
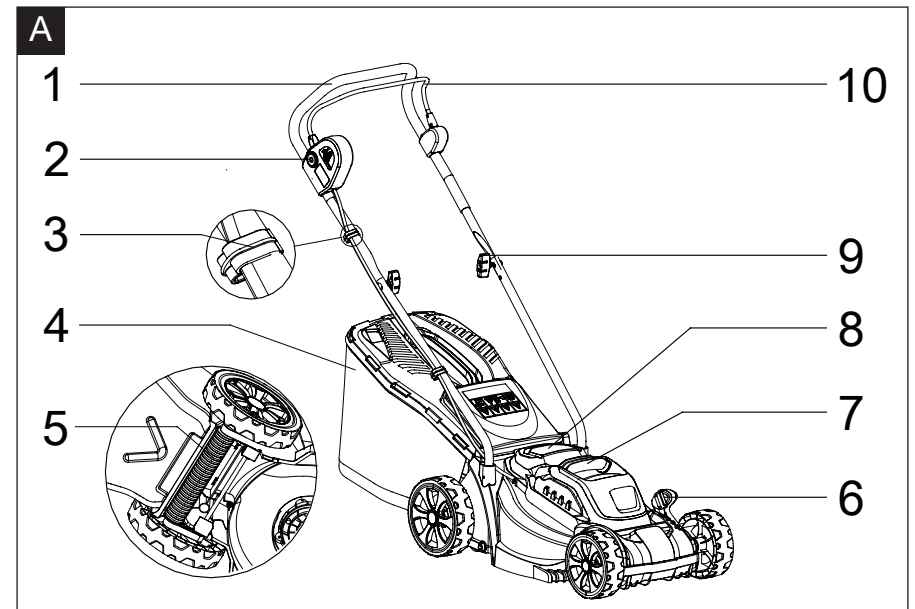


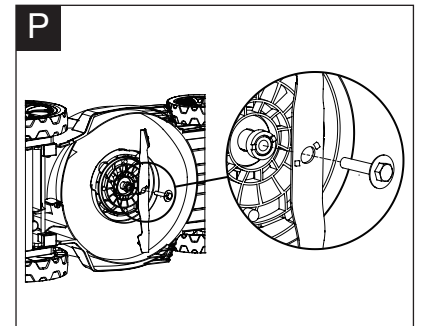
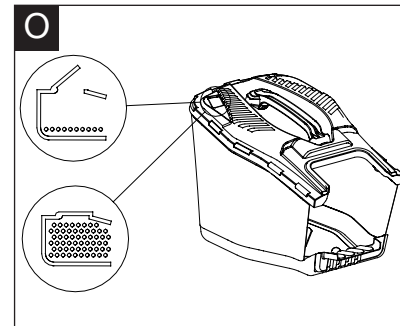
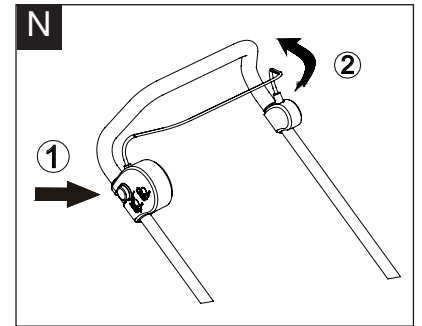
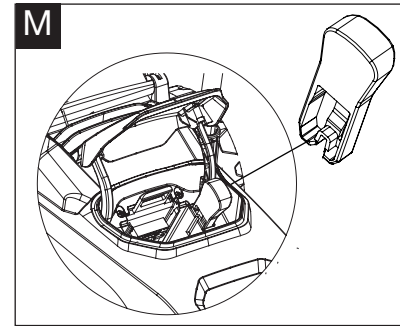
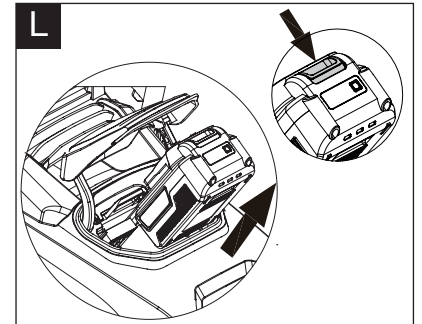
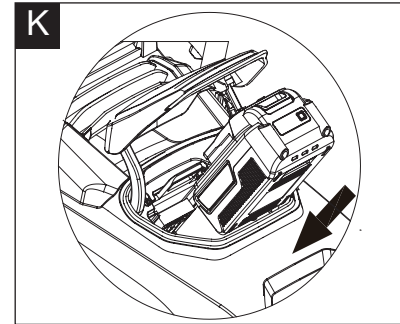
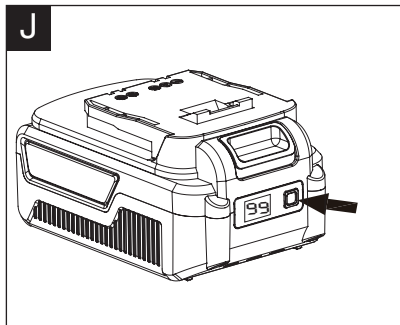
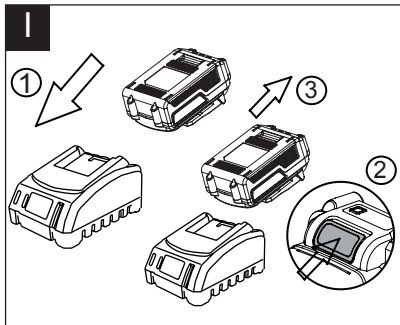
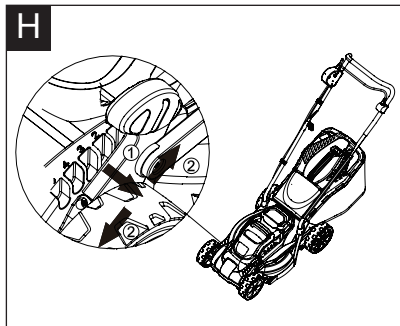
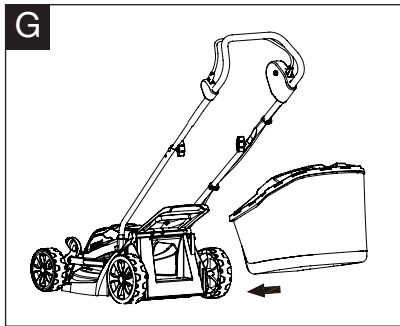
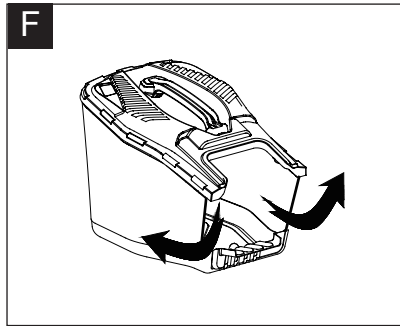
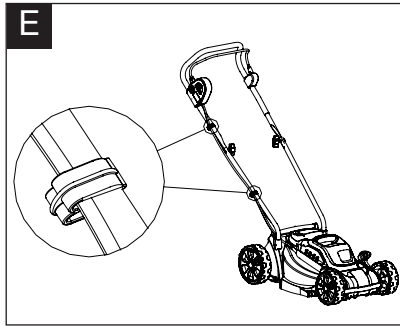
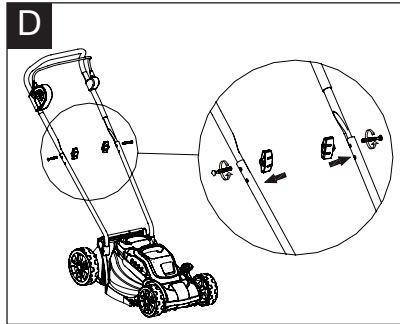
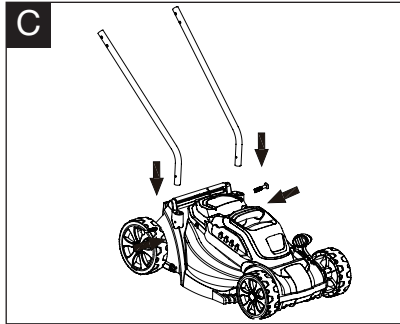
**READ & UNDERSTAND  
INSTRUCTION MANUAL**

Save all warnings and instructions for future reference.



Read this manual carefully prior to assembling and operating the lawnmower. It is dangerous to operate this product without being familiar with these instructions. Keep this manual in a safe place and have it ready for future reference.





### CONTENT

Intended use	07
General safety warnings	07
Product safety warnings	09
Symbols	15
Technical data	19
Description of product	20
Installation	21
Operation	22
Maintenance and storage	25
Troubleshooting	27
Declaration of conformity	28

### INTENDED USE

This lawnmower has been designed for cutting grass. The machine is to be used only for its prescribed purpose, any other use is deemed to be a case of misuse.

Please note that our equipment has not been designed for use in commercial, trade or industrial applications. Our warranty will be voided if the machine is used in commercial, trade or industrial businesses or for equivalent purposes.

### GENERAL SAFETY WARNINGS



**WARNING:** Read all safety warnings and instructions. Failure to follow the warnings and instructions may result in electric shock, fire and/or serious personal injury.

Carefully read the instructions for the safe operation of this machine.

Save all warnings and instructions for future reference.

- This appliance can be used by children aged 8 years and above and persons with reduced physical, sensory or mental capabilities or lack of experience and knowledge if they have been given supervision or instruction concerning the use of the appliance in a safe way and understand the hazards involved.
- Children should be supervised to ensure that they do not play with the product.

### IMPORTANT

**READ CAREFULLY BEFORE USE  
KEEP FOR FUTURE REFERENCE**

## GENERAL SAFETY WARNINGS

### Training

1. Read the instructions carefully and make sure you fully understand them. Make sure you are familiar with the controls and the correct use of the product.
2. Never allow small children or people unfamiliar with these instructions to use the product. Local regulations can restrict the age of the operator.
3. Never operate the product while people, especially children or pets are nearby.
4. Keep in mind that the operator or user is responsible for any accidents or hazards occurring to other people or their property.

### Preparation

1. While operating the product always wear substantial footwear and long trousers. Do not operate this product when barefoot or wearing open sandals. Avoid wearing clothing that is loose fitting or has hanging cords or ties.
2. Thoroughly inspect the area where the product is to be used and remove all objects which could be thrown by the product.
3. Before use, always visually inspect to see that the blade, blade bolt and the blade assembly are not worn or damaged. Replace worn or damaged components in sets to preserve balance. Replace any damaged or unreadable labels.
4. Ensure the switch is in the off position before inserting the battery pack. Inserting the battery pack into a machine that is switched on can result in injury.

## PRODUCT SAFETY WARNINGS

### General Operation

1. Use the tool only with specifically designated battery packs. Use of any other battery packs will increase the risk of injury and fire.
2. Only operate the product in daylight or in good artificial light.
3. Do not expose tool and charger to rain or wet conditions. If a tool or charger is exposed to moisture it will increase the risk of electric shock.
4. Avoid operating the product on wet grass.
5. Always be sure of your footing on slopes.
6. Walk, never run.
7. Mow across the face of slopes, never up and down.
8. Exercise extreme caution when changing direction on slopes.
9. Do not mow excessively steep slopes.
10. Use extreme caution when reversing or pulling the product towards you.
11. Stop the blades if the product has to be tilted for transportation, when crossing surfaces other than grass and when transporting the product to and from the area to be mowed.
12. Never operate the product with defective guards or shields or without safety devices in place such as deflectors or grass collector.
13. When switching on motor keep feet well away from blades.
14. Do not tilt the product when switching on the motor, except if the product has to be tilted for starting. In

## PRODUCT SAFETY WARNINGS

- this case, do not tilt it more than absolutely necessary and lift only the part furthest away from the operator.
15. Do not start the product when standing in front of the discharge opening.
  16. Do not put hands or feet near or under rotating parts.
  17. Keep clear of the discharge opening at all times.
  18. Do not transport the product while the cutting blade is running.
  19. Stop the product and remove the key/battery pack from the machine and make sure that all moving parts have come to a complete stop:
    - Whenever you leave the product unattended.
    - Before clearing blockages or unclogging chute.
    - Before checking, cleaning or working on the product.
    - After striking a foreign object. Make sure to inspect the product for damage and make repairs before restarting and operating the product.
  20. If the product starts to vibrate abnormally:
    - Inspect for any damages.
    - Replace or repair any damaged parts.
    - Check for and tighten any loose parts.

### Charger

1. Recharge only with the charger specified by the manufacturer. Do not use the original charger on other li-ion batteries or on any other type of battery as this can increase the risk of fire or explosion.

## PRODUCT SAFETY WARNINGS

2. Check the battery charger, cable and plug before each use. Do not use the battery charger if damaged. Do not open the battery charger yourself; charger must be repaired by qualified personnel using original spare parts.
3. The charger is designed to use a standard household 220-240 V~ 50Hz power source, ensure that the plug matches the outlet.
4. Never modify the plug in any way, this will reduce the risk of electric shock.
5. Do not abuse the cord of charger. Never use the cord for carrying, pulling or unplugging the charger. Keep cord away from heat, oil, sharp edges or moving parts. Damaged or entangled cords increase the risk of electric shock.
6. Make sure the charger cord is situated so that it will not be stepped on, tripped over or get damaged.
7. Keep the battery charger clean. Contamination can increase the risk of electric shock.
8. Protect the battery charger from rain and moisture. If water accesses the battery charger there is an increased risk of electric shock.
9. Battery will heat up whilst charging. To reduce the risk of fire, do not operate battery charger on flammable surfaces such as paper or textiles.
10. The temperature range over which the battery pack can be charged is typically between 5°C-45 °C. Attempts to charge out with the prescribed temperature range may automatically be blocked by

## PRODUCT SAFETY WARNINGS

the protection circuitry of the battery pack. Longest life and best performance can be obtained if the battery pack is charged at room temperature.

11. Disconnect charger from the power supply when not in use. This will reduce the risk of electric shock or damage to the charger.

### Battery pack

1. Fully charge battery pack before first use.
2. Recharge battery pack immediately when the power output starts to slow. **DO NOT CONTINUE TO USE PRODUCT WHEN BATTERY LEVEL IS LOW.**
3. To prevent serious damage to the battery, charge in temperatures above 5°C or below 45°C. Longest life and best performance can be achieved when battery is charged at room temperature.
4. If the battery temperature is above 45°C it must be allowed to cool before putting it into the charging station.
5. To reduce the risk of explosion, ensure the battery pack is not left in the sun for extended periods of time and that it is kept away from fire.
6. Do not carry individual battery packs in your pockets or bag as they could short-circuit against other metal items.
7. Should a li-ion battery catch fire, ensure to use the correct fire extinguisher to combat the fire. **DO NOT THROW WATER ON A BURNING LI-ION BATTERY.**

## PRODUCT SAFETY WARNINGS

8. If the battery pack becomes too hot during charging, disconnect and switch off immediately. Contact the service centre directly.
9. Do not attempt to open the battery yourself.
10. When battery pack is not in use keep it away from other metal objects such as paperclips, coins, keys, nails, screws or other small metal objects that can make a connection from one terminal to another.

### Maintenance and storage

1. Keep all nuts, bolts and screws tight to be sure the product is in a safe working condition.
2. Check the grass collector frequently for wear or deterioration.
3. Be careful when adjusting the product to prevent trapping fingers between moving blades or other fixed parts of the product.
4. Always allow the product to cool down before storing.
5. When servicing the blades be aware that even though the power source is switched off, the blades can still move.
6. Replace worn or damaged parts for safety. Use only genuine replacement parts and accessories.
7. **DO NOT** attempt to open the charger and battery pack. There are no customer serviceable parts inside. Return to any authorised service centre.
8. Store the appliance with battery pack fully charged at room temperature (around 20°C).

## PRODUCT SAFETY WARNINGS

9. Every deep discharge cycle decreases the capacity of battery pack. To prolong battery life, it is recommended that you charge the battery every six months within extended periods of time when the product is not in use.

### Servicing

1. Have your tool repaired by an authorised service agent. This tool is manufactured in accordance with the relevant safety regulations. To avoid danger, equipment must only be repaired by qualified technicians.
2. Only use parts and accessories made for this machine by the manufacturer. Failure to do so can result in personal injury.

## SYMBOLS

### Safety symbols

The purpose of safety symbols is to attract your attention to any possible dangers. The safety symbols and their explanations deserve your careful attention and full understanding. The symbol warnings do not, by themselves, eliminate any danger. The instructions and warnings they give are no substitute for proper accident prevention measures.



**WARNING:** Be sure to read and understand all safety instructions within this operator's manual, including all safety alert symbols such as "**DANGER**", "**WARNING**", and "**CAUTION**" before using this tool. Failure to follow all instructions listed below may result in electric shock, fire and/or serious personal injury.

**SAFETY ALERT SYMBOLS:** Indicate **DANGER**, **WARNING**, or **CAUTION**. May be used in conjunction with other symbols or pictographs.

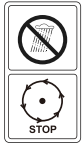
### Symbol meanings

This page depicts and describes safety symbols that may appear on this product. Read, fully understand and follow all instructions on the machine before attempting to assemble and operate.

## SYMBOLS



To reduce the risk of injury, user must read instruction manual carefully.



Avoid using tool in the rain. Wait until all machine components have completely stopped before touching them.



Keep bystanders away. Objects thrown by the product could hit the user or other bystanders. Always ensure that other people and pets remain at a safe distance from the product when it is in operation.



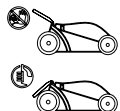
Beware of sharp blades. Blades continue to rotate after the motor is switched off. Remove disabling device before performing any maintenance tasks.



Guaranteed sound power level value is 93 dB



Wear ear protection, eye protection and gloves when using the product.



Do not use mower without grass catcher or guard in place.

## SYMBOLS



WEEE symbol. Waste electrical products should not be disposed of with household waste. Please recycle where facilities exist. Check with your local authority or local store for recycling guidelines



The product complies with the applicable European directives and an evaluation method of conformity for these directives was done.



A product placed on the United Kingdom market meets the UKCA Marking requirements

## Warning symbols on the battery pack



To reduce the risk of injury, user must read instruction manual carefully.



Do not throw into water.



Do not throw on fire.





Do not subject the battery to strong sunlight over long periods of time. Do not leave on a heater (max.45°C).




Batteries contain Li-ion. Do not dispose of waste batteries in domestic waste. Contact local authority to find out how to dispose of batteries.


## SYMBOLS

 The product complies with the applicable European directives and an evaluation method of conformity for these directives was done.

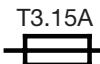
 WEEE symbol. Waste electrical products should not be disposed of with household waste. Please recycle where facilities exist. Check with your Local Authority or local store for recycling advice.


### Warning symbols on the charger


 To reduce the risk of injury, user must read instruction manual carefully.

 The charger is for indoor use only.




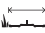

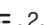
 Double insulation

 Protective 3.15 A limited

 WEEE symbol. Waste electrical products should not be disposed of with household waste. Please recycle where facilities exist. Check with your Local Authority or local store for recycling advice.

 The product complies with the applicable European directives and an evaluation method of conformity for these directives was done.

## TECHNICAL DATA

<b>Mower Type</b>		<b>LM C33</b>
Nominal voltage of product with battery		20V 
No-load cutting speed		3500 min <sup>-1</sup>
Cutting width		33 cm
Cutting height		20-60mm, 5 positions
Capacity of grass bag		30 l
Weight		8.6 kg
Measured sound pressure level(L <sub>pA</sub> )		89.6 dB(A), K=3 dB(A)
Guaranteed sound power level		93 dB(A)
Vibrations		< 1.21 m/s <sup>2</sup> K=1.5 m/s <sup>2</sup> *
<b>Battery pack Model</b>		<b>B0P-SP06-20ZL</b>
Battery capacity		4.0 Ah
Battery charging time Max.		100 min
<b>Battery charger Model</b>		<b>VDE: B0Q-SP06-20ZA BS: B0Q-SP06-20ZB</b>
Input		220-240V AC, 50/60Hz 65 W
Output		20V  , 2.4A
Protection class		II

The sound values have been determined according to noise test code given in EN 60335-2-77, using the basic standards EN ISO 11201 and EN ISO 3744.

The sound intensity level for the operator may exceed 80 dB(A) and ear protection measures are necessary.

The declared vibration value has been measured in accordance with a standard test method (according to EN 60335-2-77) and may be used for comparing one product with another. The declared vibration value may also be used in a preliminary assessment of exposure.



**WARNING:** Depending on the actual use of the product the vibration values can differ from the declared total!  
Adopt proper measures to protect yourself against vibration exposure! Take the whole work process including times the product is running under no load or switched off into consideration!

## DESCRIPTION OF PRODUCT

### Parts description (Fig. A)

1. Upper handle
2. Switch box
3. Cable clip
4. Grass bag
5. Rear roller
6. Height adjustment lever
7. Carry handle
8. Battery pack tank cover
9. Fixing knob
10. Switch lever

### Check the delivery parts (Fig. B)

Remove the machine from its packaging carefully and make sure that all of the following parts are present:

- a. Lawnmower with upper handle
- b. Lower brace
- c. Grass bag
- d. Fixing knob
- e. Screws
- f. Cable clip
- g. Manual
- h. Battery pack
- i. Charger



**WARNING:** If any parts are damaged or missing, do not operate this tool until these parts have been replaced. Failure to heed this warning could result in serious personal injury.



**NOTE:** Always recycle the packaging in accordance with local recycling guidelines.

## INSTALLATION

### Assemble the lower handle (Fig. C)

1. Attach the lower brace to the deck.
2. Use two installation screws to fix the lower brace.

### Attach the top handle to the lawnmower (Fig. D)

Mount the top handle to the lower handle using the two bolts and handle knobs.

### Fitting the cable clip (Fig. E)

Ensure that the cable clips supplied are used to fix the cable to the lower handle

### Assembly of the Grass bag

1. Now assemble the grassbox handle as per fig F
2. Lift the lawnmower Safety flap and locate the Grassbox onto the lawnmower support hooks fig G

## OPERATION

### Charging the battery pack

**NOTE:** Remove the battery pack from the charger after it has been fully charged.

**NOTE:** Battery should be fully charged before first use.

**NOTE:** Make sure the mains voltage is the same as rating label which is located on the charger.

1. Connect the charger to a power supply. Red LED will light up.
2. To insert the battery pack into the charger, align the raised ribs of the battery pack with the grooves of the charger then push it in. **(Fig. I)**
3. The red LED light of the charger will light up and then the green light flashes during normal charging.
4. After charging is complete, the charger light will turn to a solid green light.
5. Once the battery is fully charged, depress the battery release button and then remove the battery pack.

### Power indicator (See Fig. J)

This Li-Ion battery pack is equipped with a power indicator which is used to show the battery pack's remaining charge. Press the power indicator button to check battery charge as picture showed. The indicator will stay lit for approximately 4 seconds.

### To obtain the best life from the battery

1. Never allow the battery to completely discharge before recharging. The battery pack should be placed on the charger whenever the battery pack is noticeably running down or the tool no longer performs a task it previously performed.
2. Avoid conducting short charges. Make sure that the battery is fully charged each time by allowing the charger to complete its full charging cycle.
3. Avoid allowing loose items like screws or nails etc. to be stored with battery packs as these or similar items can short battery packs and cause a fire or explosion.
4. Always unplug the charger when not in use and store in a dry and secure place.
5. Avoid charging or storing your battery in temperatures below 5°C and above 45°C.
6. After use, allow the battery pack to cool down for approximately 30 minutes before attempting to recharge.

### Setting cutting height (Fig. H)

1. Adjust the cutting height according to the needs of your lawn.
2. When mowing high grass, start with the maximum cutting height and make a second cut with a lower cutting height.

**WARNING:** Before cutting you lawn, set the cutting height, always ensure that the battery pack has been removed.

## OPERATION

### Removing and inserting the battery pack

#### Insert the battery pack. (Fig. K)

Align the battery pack with its compartment of the tool. Push the battery pack into position until you hear a click. This means the battery pack has been locked in position, then close the battery pack cover.

#### Removing the battery pack from the tool (Fig. L)

Open the battery pack cover. release button and then remove the battery pack.

#### NOTE: Safety-Key (Fig. M)

This lawnmower is fitted with a safety key; this prevents the accidental start up of your cordless lawnmower.

The safety key has been designed to totally disable the lawnmower when it is removed.

#### Switching on and off (Fig. N)

##### Switch on:

1. Press and hold the safety button on the side of the switch box with one hand.
2. Pull the switch lever towards the handle and hold it with the other hand.

##### Switch off:

Release the switch lever.

**NOTE:** Do not continue to press the start button after an automatic shut-off of the machine, this will lead to battery damage.



#### WARNING:

When the motor has been switched off, the blade will continue to run for several seconds. Do not touch the underside of the mower until the cutter has come to a complete standstill!

### Operating the lawnmower

**NOTE:** Do not start the lawnmower in the thick Grass--always start in lower height grass

#### Operation on a slope:

Slopes increase the risk of slip-and-fall accidents, which can result in severe injury. Always be sure of your footing on slopes. Operation on slopes requires extra caution. If you feel uneasy on a slope, do not mow it.

##### Do:

- Mow across the face of slopes, never mow up and down. Exercise extreme caution when changing direction on slopes.
- Watch for holes, ruts, rocks, hidden objects or bumps which could cause you to slip or trip. Tall grass can hide obstacles.

## OPERATION

### Do not:

- Do not mow near drop-offs, ditches or embankments; you could lose your footing or balance.
- Do not mow slopes greater than 15 degrees.
- Do not mow on wet grass. Unstable footing could cause you to slip.

### Mower overload protection

To prevent overload conditions, do not try to cut too much grass at one time. Slow down your cutting pace or raise the cut height. Your mower has built-in overload circuit protection. When the mower is overloaded, the motor will stop. Switch the mower off and check to see if grass has collected beneath the deck and clear it if necessary, then restart the mower.

### Battery high temperature protection

The battery pack will generate heat during operation. The heat dissipates slower in hot weather. If the battery temperature exceeds more than 70 °C during operation, the protection circuit will immediately turn off the mower to protect the battery pack from damage. Release the bail handle, wait until the battery pack cools down and then restart the mower.

### Function of full indicator (Fig. O)

If the grass bag is empty or it is not filled with grass, the grass full indicator will be open. If the grass bag is filled with grass the grass full indicator will be closed.

### Emptying the grass bag

As soon as the grass bag indicator closes while you are mowing this means that it is time to empty the grass bag.

**NOTE:** Before taking off the grass bag, switch off the mower and wait until the blade has come to a complete stop.

To take off the grass bag, use one hand to lift up safety flap and the other to grab onto the carry handle. The safety flap automatically falls down after removing the grass bag and closes off the rear chute opening.

Empty out the grass bag then refit to machine.

**NOTE:** If any grass residue is caught in the discharge chute, clean it using a brush. Do not remove grass debris in the mower casing or on the blade by hand or with your feet. Instead use suitable tools such as a brush or broom. To ensure that the cut grass can be collected into grass bag, the discharge opening and inside the mower casing must be cleared of any blockages.

## MAINTENANCE AND STORAGE



**WARNING:** Before performing any maintenance or cleaning work, always ensure that the battery pack/safety key has been removed. Wait until the blade has stopped completely and the machine has cooled down.

### Cleaning

#### Cleaning the product

- Use a soft brush to remove accumulated dust and debris. Wear safety glasses to protect your eyes whilst cleaning.
- Wipe down the product enclosure with a slightly damp cloth. Do not spray the unit with water. Water may destroy the switch unit and the electric motor.

### Maintenance

**NOTE:** Always wear gardening gloves when handling or working near sharp blades.

1. Keep all nuts, bolts and screws tight to ensure that the machine is in a safe working condition.
2. Check the grass bag frequently for wear or deterioration.
3. Examine the machine and replace worn or damaged parts for safety.

### Removing/Installing the blade (Fig. P)

1. Use the correct size wrench to uninstall the blade bolt nut.
2. Wearing heavy gloves hold the blade still and turn the wrench anti-clockwise to remove the bolt.
3. Fit the replacement blade correctly with marking facing up and align pegs, refit the bolt and retighten securely to torque 20N.m.



**WARNING:** Replace or re-sharpen the mowing blade at the end of the mowing season. Always have the mowing blade re-sharpened or replaced by a recommended Yard Force service centre. Unbalanced blades will cause the lawn mower to vibrate violently which can increase the risk of accidents occurring.

### Battery maintenance:

Use the following procedures to achieve the best battery life:

1. Protect the battery against moisture and water.
2. Store the battery only within temperature range of 5 °C to 45 °C. Do not leave the battery in direct sunlight for extended periods of time.
3. Clean the battery regularly with a soft, clean and dry brush.
4. If you do not use the product for a long time, remember to charge and discharge the battery pack once every 6 months.

## MAINTENANCE AND STORAGE

### Storage and transport

#### Storage

After cleaning the unit thoroughly, store mower in a dry room and allow the motor to cool down.

**NOTE:** Remove the safety key and battery packs. Ensure cables are not trapped when folding/unfolding the handle. If stored vertically make sure the mower is positioned in a corner so that the blade is facing inwards against a wall and the machine is secure to prevent it falling over.

#### Transport

Use the original packaging to ship whenever possible.

## TROUBLESHOOTING



**WARNING:** Before performing any repair work, always ensure that the battery pack has been removed.



**WARNING:** Always wear heavy duty gloves when adjusting or cleaning, especially when handling sharp objects.

Fault/malfunction	Cause	Remedy
Mower fails to start	Safety key is not inserted	Insert safety key
	Battery is not correctly inserted	Remove the battery and reinsert
	Mower standing in high grass	Start motor on shorter grass or already mowed area, change cutting height if necessary
	The mower housing is clogged	Clean housing so that the blade can move freely
Mower stops working /loses power	Battery has no power	Check and recharge battery
	Cutting height is incorrect	Adjust the cutting height
	Cutting blade is worn or damaged	Replace with new blade from dealer service centre
Grass bag is not filled sufficiently	Battery performance decreasing	Check the battery performance and charge it if necessary
	Cutting height is too Low	Adjust and increase cutting height
	The lawn / grass is wet	Allow the lawn to dry
	Underside of the mower deck is clogged.	Clean the underside of the mower deck
Mower vibrating at higher speed	Cutting blade is worn or damaged.	Replace it by contacting the customer service centre
	Cutting blade is unbalanced	Balance the blade by grinding each cutting edge until equal
Mower cuts unevenly	Blade is Loosened /incorrectly fitted	Tighten the blade bolt
	The blade is damaged Blade is assembled incorrectly	Sharpen the blade or replace Re-assemble blade correctly

## DECLARATION OF CONFORMITY

To the provisions of Council Directives

We  
**SUMEC UK**  
Unit A&B Escrick Business Park Escrick, York YO19 6 FD  
United Kingdom

**Declare that the product:**

Machine Description: 20V CORDLESS LAWNMOWER  
LM C33  
Function: Cutting grass

**Complies with the essential health and safety requirements of the following directives:**

Supply of Machinery (Safety) Regulations 2008  
Electromagnetic Compatibility Regulations 2016  
The Restriction of the Use of Certain Hazardous Substances in Electrical and Electronic Equipment Regulations 2012  
Noise Emission in the Environment by Equipment for use Outdoors Regulations 2001  
Measured Sound Power Level: 89.6 dB(A) K=3 dB (A)  
Declared Guaranteed Sound Power Level: 93 dB (A)

**Standards and technical specification referred to :**

EN 60335-2-77:2010  
EN 60335-1:2012+A11: 2014+A13: 2017+A1: 2019+A2: 2019+A14: 2019  
EN 62233:2008  
EN 55014-1:2017+A11:2020  
EN 55014-2:2015  
EN 50581:2012

Authorized Signatory  
Date: 24.05.2021

Signature: M. Hall  
Place: York  
Name: Mariana Hall  
General Manager

SUMEC UK  
Unit A&B Escrick Business Park Escrick  
York YO19 6 FD, United Kingdom



## DECLARATION OF CONFORMITY

To the provisions of Council Directives

We  
**MEROTEC GmbH**  
Otto-Brenner-Str. 8  
47877 Willich, Germany

**Declare that the product:**

Machine Description: 20V CORDLESS LAWNMOWER  
LM C33  
Function: Cutting grass

**Complies with the essential health and safety requirements of the following directives:**

Machinery Directive 2006/42/EC  
Electromagnetic Compatibility Directive 2014/30/EU  
EC Directive 2011/65/EU and its amendment Directive (EU) 2015/863 (RoHS)  
Noise Emission in the Environment by Equipment for Use Outdoors Directive 2000/14/EC amended by 2005/88/EC  
We additionally confirm the following in accordance with the 2000/14/EC Annex VI amended by 2005/88/EC emissions guideline,  
Measured Sound Power Level: 89.6 dB(A) K=3 dB (A)  
Declared Guaranteed Sound Power Level: 93 dB (A)

**Standards and technical specification referred to :**

EN60335-2-77:2010  
EN60335-1:2012+A11: 2014+A13: 2017+A1: 2019+A2: 2019+A14: 2019  
EN62233:2008  
EN 55014-1:2017+A11:2020  
EN55014-2:2015  
EN50581:2012

Authorized Signatory  
Date: 24.05.2021

Signature: Roland Menken  
Place: Willich  
Name: Roland Menken  
General Manager

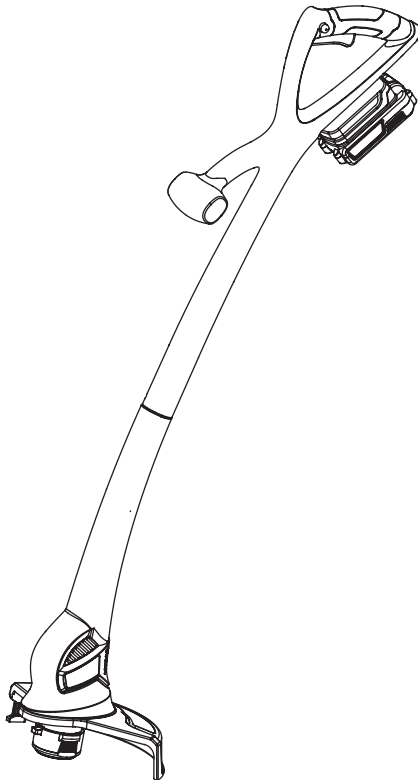
MEROTEC GmbH  
Otto-Brenner-Str. 8, 47877 Willich, Germany



**GB**

## **20V CORDLESS GRASS TRIMMER**

**Original Instructions**



**READ & UNDERSTAND  
INSTRUCTION MANUAL**

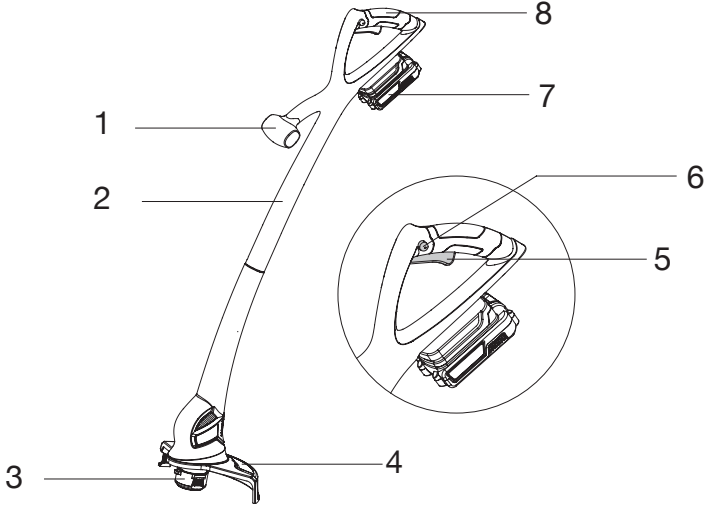
**Save all warnings and instructions for future reference.**

CE

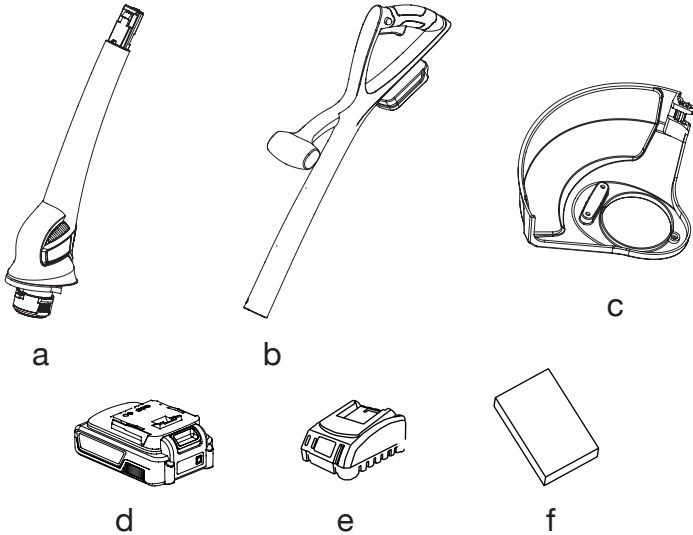


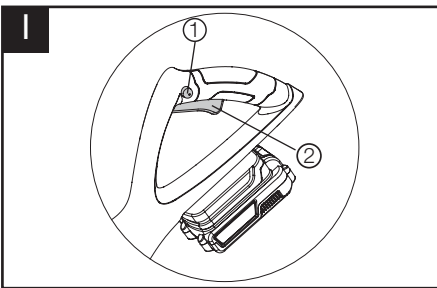
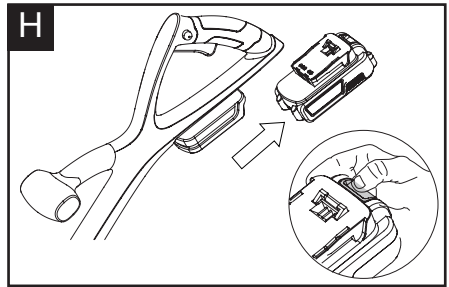
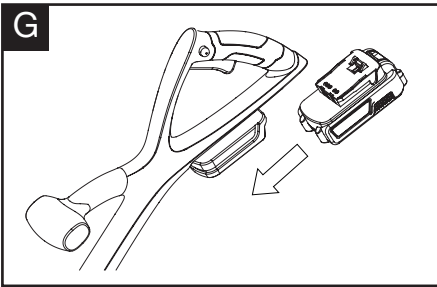
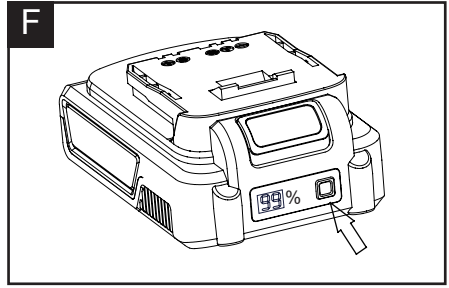
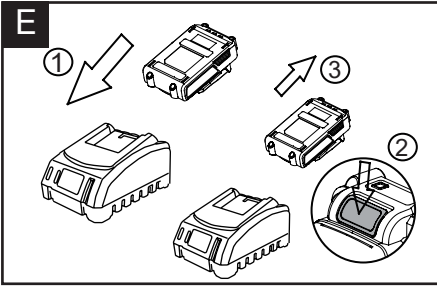
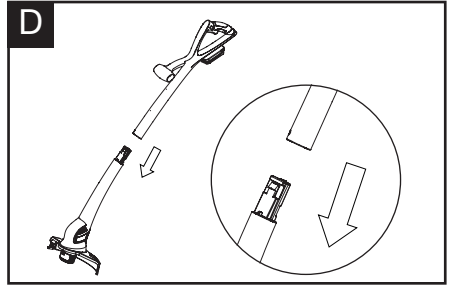
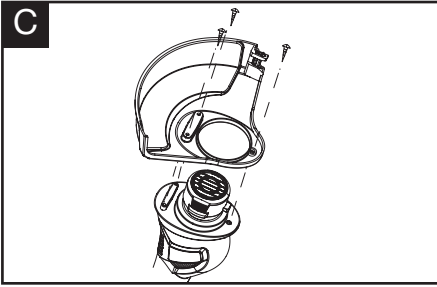
UK  
CA

**A**



**B**





# YARD FORCE

## LT C25B Original Instructions

### CONTENT

Intended use	06
General safety warnings	06
Product safety warnings	09
Symbols	14
Technical data	19
Description of product	18
Assembly	19
Operation	20
Maintenance and storage	23
Troubleshooting	24
CE & UKCA declaration	25

## INTENDED USE

This Li-Ion cordless grass trimmer is intended for cutting weed, grass or similar soft vegetation in areas that are hard to reach, e.g. under bushes, on slopes and edges. It may not be used to work on unusual thick, dry or wet grass, e.g. pasture grass, or to shred leaves. For safety reasons it is essential to read the entire instruction manual before first operation and to observe all the instructions therein. This product is intended for private domestic use only, not for any commercial trade use. It must not be used for any purposes other than those described.

## GENERAL SAFETY WARNINGS

**WARNING:** When using line trimmers, basic safety precautions should always be followed to reduce the risk of fire, electric shock, and personal injury, including the following:

**Save all warnings and instructions for future reference.**

**DANGER:** Do not rely on the tool's insulation against electric shock. To reduce the risk of electrocution, never operate the machine in the vicinity of any wires or cables (power, etc.) which may carry electric current.

## TRAINING

1. Read the instructions carefully. Be familiar with the controls and the proper use of the machine.
2. Never allow people unfamiliar with these instructions or children to use the machine. Local regulations can restrict the age of the operator.
3. Keep in mind that the operator or user is responsible for accidents or hazards occurring to other people or their property.

## GENERAL SAFETY WARNINGS

### PREPARATION

1. Never operate the machine while people, especially children, or pets are nearby.
2. Wear eye protection and stout shoes at all times while operating the machine.
3. The distance between the machine and bystanders shall be at least 15m.
4. Do not use metal blades.
5. Avoid using the machine in bad weather conditions especially when there is a risk of lightning.

### OPERATION

1. Use the machine only in daylight or good artificial light.
2. Never operate the machine with damaged guards or shields or without guards or shields in place.
3. Switch on the motor only when the hands and feet are away from the cutting means.
4. Always disconnect the machine from the power supply (i.e. remove the plug from the mains or remove removable battery).
  - Whenever leaving the machine unattended;
  - Before clearing a blockage;
  - Before checking, cleaning or working on the machine; after striking a foreign object;
  - Whenever the machine starts vibrating abnormally.
5. Take care against injury to feet and hands from the cutting means.

## GENERAL SAFETY WARNINGS

6. Always ensure that the ventilation openings are kept clear of debris.

## MAINTENANCE AND STORAGE

1. Disconnect the machine from the power supply (i.e. remove the plug from the mains or remove removable battery) before carrying out maintenance or cleaning work.
2. Use only the manufacturer's recommended replacement parts and accessories.
3. Inspect and maintain the machine regularly. Have the machine repaired only by an authorized repairer.
4. When not in use, store the machine out of the reach of children.

**OTHER SAFETY WARNINGS**

1. Avoid Dangerous Environments – Don't use trimmers in damp or wet locations.
2. Always turn the line trimmer off or remove the battery pack whenever leaving the trimmer unattended.
3. Don't Use In Rain.
4. Keep Children Away – All visitors should be kept at a distance from work area.
5. Dress Properly – Do not wear loose clothing or jewelry. They can be caught in moving parts. Use of rubber gloves and substantial footwear is recommended when working outdoors. Wear protective hair covering to contain long hair.
6. Use Safety Glasses – Always use a face or dust mask if operation is dusty.
7. Use the Right Tool – Do not use the tool for any job except that for which it is intended
8. Don't Force the Trimmer – It will do the job better and with less likelihood of a risk of injury at the rate for which it was designed.
9. Don't touch moving hazardous parts before the machine is turned off or removed the battery pack and the moving hazardous parts have come to a complete stop.
10. Don't Overreach – Keep proper footing and balance at all times.
11. Stay Alert – Watch what you are doing. Use common sense. Do not operate the trimmer when you are tired.

## PRODUCT SAFETY WARNINGS

12. Do not operate the trimmer while under the influence of alcohol or drugs.
13. Keep guards in place and in working order.
14. Store Trimmer Indoors – When not in use the trimmer should be stored indoors in a dry and high or locked-up place with the battery pack removed – out of reach of children.
15. Maintain Trimmer With Care – Keep the cutting attachment clean for best performance and to reduce the risk of injury. Follow instructions for changing accessories. Keep handles dry, clean, and free from oil and grease.
16. Check Damaged Parts – Before further use of the trimmer, a guard or other part that is damaged should be carefully checked to determine that it will operate properly and perform its intended function. Check for alignment of moving parts, binding of moving parts, breakage of parts, mounting, and any other condition that may affect its operation. A guard or other part that is damaged should be properly repaired or replaced by an authorized service center unless indicated elsewhere in this manual.
17. Clear the area to be cut before each use. Remove all objects such as rocks, broken glass, nails, wire, or line that can be thrown or become entangled in the cutting attachment. Make sure that other persons and pets are at least 15m away.
18. Before using the machine and after any impact, check for signs of wear or damage and repair as necessary.

## PRODUCT SAFETY WARNINGS

19. Always hold the trimmer firmly, with both hands on the handles while operating. Wrap your fingers and thumbs around the handles.
20. Avoid Accidentally Starting–Don't carry the trimmer with your finger on the trigger.
21. Do not operate the trimmer in petrolic or explosive atmospheres. Motors in these appliances normally spark, and the sparks might ignite fumes.
22. Damage to Trimmer – If you strike a foreign object with the trimmer or it becomes entangled, stop the tool immediately, remove the battery pack from the line trimmer, check for damage and have any damage repaired before further operation is attempted. Do not operate with a broken guard or spool.
23. If the equipment should start to vibrate abnormally, stop the motor, remove the battery pack from the line trimmer, and check immediately for the cause. Vibration is generally a warning of trouble. A loose head may vibrate, crack, break or come off the trimmer, which may result in serious or fatal injury. Make sure that the cutting attachment is properly fixed in position. If the head loosens after fixing it in position, replace it immediately. Never use a trimmer with a loose cutting attachment.
24. Replace a cracked, damaged or worn-out cutting head immediately, even if damage is limited to superficial cracks. Such attachments may shatter at high speed and cause serious or fatal injury.
25. Check the cutting attachment at regular short intervals during operation, or immediately if there is a noticeable change in cutting behavior.

## PRODUCT SAFETY WARNINGS

26. Only use Yard force authorized polymer trimmer line accessories and trimmer line that are designed for use with this machine. Although certain unauthorized attachments might be fitted to the Yard force line trimmer, their use may be extremely dangerous, and/or damaging to the tools.
27. To reduce the risk of serious injury, never use wire or metal-reinforced line or other material in place of the nylon cutting lines. Pieces of wire could break off and be thrown at high speed toward the operator or bystanders.
28. To reduce the risk of injury from loss of control, never work on a ladder or on any other insecure support. Never hold the cutting attachment above waist height.
29. If situations occur that are not covered in this manual, use care and good judgment. Contact the Yard force Service Center for assistance.
30. Do not charge the battery pack in rain, or in wet locations.
31. Use only with Yard force battery packs and chargers.
32. The battery pack must be removed from the appliance before it is scrapped.
33. The battery shall be disposed of safely.
34. Do not dispose of the battery in a fire. The cells may explode. Check with local authorities for possible special disposal instructions.
35. Do not open or mutilate the battery. Released electrolyte is corrosive and may cause damage to the eyes or skin. It may be toxic if swallowed.

## PRODUCT SAFETY WARNINGS

36. Exercise care in handling batteries in order not to short the battery with conducting materials such as rings, bracelets, and keys. The battery or conductor may overheat and cause burns.
37. When servicing, use only identical Yard force replacement parts. Use of any other accessory or attachment may increase the risk of injury.
38. Battery tools do not have to be plugged into an electrical outlet; therefore, they are always in operating condition. Be aware of possible hazards even when the tool is not operating. Take care when performing maintenance or service.
39. Do not wash with a hose; avoid getting water in motor and electrical connections.
40. Save these instructions. Refer to them frequently and use them to instruct others who may use this tool. If you loan this tool to someone else, also loan these instructions to them to prevent misuse of the product and possible injury.
41. Always wear substantial footwear and long trousers while operating the machine.
42. Always be sure of the footing on slopes and to walk, never run.

### Safety symbols

The purpose of safety symbols is to attract your attention to possible dangers. The safety symbols and the explanations with them require your careful attention and full understanding. The symbol warnings do not, by themselves, eliminate any danger. The instructions and warnings they give are no substitutes for proper accident prevention measures.

**WARNING:** Be sure to read and understand all safety instructions in this operator's manual, including all safety alert symbols such as "**DANGER**," "**WARNING**," and "**CAUTION**" before using this tool. Failure to follow all instructions listed below may result in electric shock, fire and/or serious personal injury.

**SAFETY ALERT SYMBOL:** Indicates **DANGER**, **WARNING**, or **CAUTION**. May be used in conjunction with other symbols or pictographs.

### Symbol meaning

This page depicts and describes safety symbols that may appear on this product. Read, understand and follow all instructions on the machine before attempting to assemble and operate.

## SYMBOLS



This symbol, before a safety comment, indicates a precaution, a warning or a danger. Ignoring this warning can lead to an accident for yourself or for others. To limit the risk of injury, fire, or electrocution always apply the recommendations indicated.



To reduce the risk of injury, user must read the instruction manual carefully.



Wear protective goggles.



Wear suitable protective gloves.



Wear ear protection



Wear a dust mask.



Wear foot protection



Protect against rain and wet.  
Do not expose and operate the tool in rain.

## SYMBOLS



Ensure that other people and pets remain at least 15m away from the line trimmer when it is in use.



Beware of thrown or flying objects to bystanders. Keep bystanders a safe distance away from the machine.



Guaranteed sound power level value in 88 dB.







WEEE symbol. Waste electrical products should not be disposed of with household waste. Please recycle where facilities exist. Check with your Local Authority or local store for recycling advice.



The product complies with the applicable European directives and an evaluation method of conformity for these directives was done.

## TECHNICAL DATA

Model		LT C25B
Mains voltage		20 V ===
No load speed		10000 min <sup>-1</sup>
Cutting width		250 mm
Cutting line dia.		1.2 mm
Sound power level: L <sub>WA</sub>		85 dB(A)
Guaranteed sound power level L <sub>WA</sub> (according to 2000/14/EC)		88 dB(A)
Vibration front handle		2.0 m/s <sup>2</sup> K=1.5 m/s <sup>2</sup>
Weight:		1.6 kg

The declared vibration total value has been measured in accordance with a standard test method and may be used for comparing one tool with another;

The declared vibration total value may also be used in a preliminary assessment of exposure.

**NOTICE:** The vibration emission during actual use of the power tool can differ from the declared value in which the tool is used. In order to protect the operator, user should wear gloves and ear protectors in the actual conditions of use.

## DESCRIPTION OF PRODUCT

### Parts description (Fig. A)

1. Front handle
2. Upper tube
3. Line spool
4. Safety guard
5. Main switch
6. Safety lock button
7. Battery pack
8. Main handle

### Delivery contents (Fig. B)

Carefully unpack the appliance and check that it is complete. Dispose of the packaging material correctly.

- a. Garss trimmer unit
- b. Upper handle
- c. Guard
- d. Battery pack
- e. Charger
- f. Instruction manual



**WARNING:** If any parts are damaged or missing, do not operate this tool until these parts are replaced. Failure to heed this warning could result in serious personal injury.



**NOTE:** Always recycle the packaging in accordance with local recycling guidelines.

## ASSEMBLY

**WARNING:** If any parts are damaged or missing, do not operate this product until the parts are replaced. Use of this product with damaged or missing parts could result in serious personal injury.

**WARNING:** Do not attempt to modify this product or create accessories not recommended for use with this line trimmer. Any such alteration or modification is misuse and could result in a hazardous condition leading to possible serious personal injury.

**WARNING:** To prevent accidental starting that could cause serious personal injury, always remove the battery pack from the tool when assembling parts.

### Attaching the guard (Fig. C)

1. Remove four mounting screws from motor housing.
2. Fit the safety guard onto the motor housing.
3. Fix the safety guard in place by using the four screws.

### Installing upper handle (Fig. D)

Align the front handle with the upper tube. connect each other, make sure they are locked in to place.

## OPERATION

### Charging the battery pack

**NOTE:** Remove the battery pack from the charger after it has been fully charged.

**NOTE:** Battery should be fully charged before first use.

**NOTE:** Make sure the mains voltage is the same as rating label which is located on the charger.

1. Connect the charger to a power supply. Red LED will light up.
2. To insert the battery pack into the charger, align the raised ribs of the battery pack with the grooves of the charger then push it in. **(Fig. E)**
3. The red LED light of the charger will light up and then the green light flashes during normal charging.
4. After charging is complete, the charger light will turn to a solid green light.
5. Once the battery is fully charged, depress the battery release button and then remove the battery pack. **(Fig. E)**

### Power indicator (Fig. F)

This Li-Ion battery pack is equipped with a power indicator which is used to show the battery pack's remaining charge. Press the power indicator button to check battery charge as picture showed. The indicator will stay lit for approximately 4 seconds.

### To obtain the best life from the battery

1. Never allow the battery to completely discharge before recharging. The battery pack should be placed on the charger whenever the battery pack is noticeably running down or the tool no longer performs a task it previously performed.
2. Avoid conducting short charges. Make sure that the battery is fully charged each time by allowing the charger to complete its full charging cycle.
3. Avoid allowing loose items like screws or nails etc. to be stored with battery packs as these or similar items can short battery packs and cause a fire or explosion.
4. Always unplug the charger when not in use and store in a dry and secure place.
5. Avoid charging or storing your battery in temperatures below 5°C and above 45°C.
6. After use, allow the battery pack to cool down for approximately 30 minutes before attempting to recharge.

### Attaching/Detaching the battery pack

#### Fully charge before first use.

#### To Attach

Align the battery ribs with the mounting slots and press the battery pack down until you hear a "click". **(Fig. G)**

## OPERATION

### To Detach

Depress the battery-release button and pull the battery pack out. (Fig. H)

**WARNING:** Dress properly to reduce the risk of injury when operating this tool. Do not wear loose clothing or jewelry. Wear eye and ear/hearing protection. Wear heavy duty, long trousers, boots and gloves. Do not wear short trousers, sandals or go barefoot.

Before operating, look around you to ensure a safety working area without other people, animals or any loose objects. And then check for eye protection, proper clothing and balanced footing.

## STARTING/STOPPING THE LINE TRIMMER

### To Start (Fig. I)

Press down the lock-off lever and hold it in that position. Depress the trigger to start.

### To Stop

Release the trigger.

**NOTE:** Always remove the battery pack from the line trimmer during work breaks and after finishing work.

## Automatic line feeding

The equipment features a fully automatic single line system. The lines will automatically elongate every time you turn on the appliance. To support proper line elongation, ensure that the coil has stopped moving completely before turning on the appliance again. The lines are automatically cut to the correct length by the line cutter.

## Trimming

1. Ensure the knife protector label is removed before use. Ensure you wear gloves when removing this label.
2. Adjust the trimmer head angle to a proper position for trimming operation.
3. Hold the grass trimmer firmly, keeping your balance with feet slightly apart. Alter the height of the product if needed to ensure an upright posture.
4. Hold the trimmer head just above the ground at an angle of approximately 30°.
5. Move the product slowly from side to side in a swinging motion.
6. Ensure the cutting device remains clean and free from off-cuts that may cause it to jam. Check regularly. Release the on/off switch and take the battery pack off before checking.
7. Trim longer grass in stages; do not cut long grass in one cut. For the best results, cut longer grass in steps.
8. Place the trimmer along the edge of the lawn.
9. Turn product on and push the trimmer forward slowly.

## OPERATION

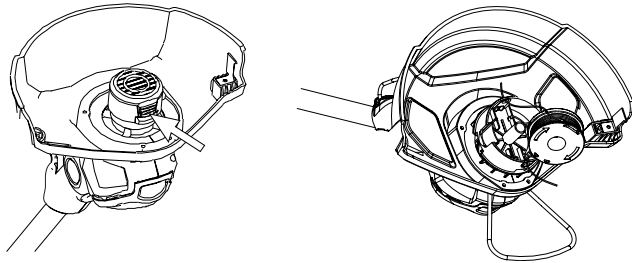
### Tips

1. For best results, do not cut wet grass as it tends to stick to the cutting head and guard, prevents proper discharge of grass trimmings and could cause you to slip and fall.
2. Do not allow the spool cover to drag on the ground or other surfaces.
3. Pay special attention when performing work close to trees and bushes. The cutting head could damage sensitive bark, and damage fence posts.
4. Fold the plant protector out to avoid bringing the cutting device into contact with hard objects such as walls and curbstones.

**NOTE:** The trimming line will wear faster and require more feeding if the cutting or edging is done along sidewalks or other abrasive surfaces or heavier weeds are being cut.

### Replacing the spool

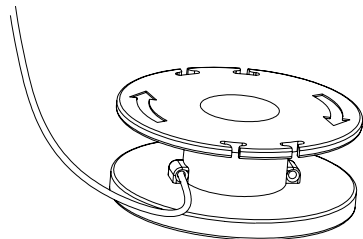
1. Press together both locking device tabs on the spool cover and remove the cover.
2. Remove the old spool from the spool cover.
3. Clean out any dirt or grass residue.
4. Put the new spool in the spool housing, thread the line into the hole.



### Winding the line

**NOTE:** Should you wish to wind the line yourself, the instructions are provided below: Self-winding, however, is NOT recommended because if the line is not wound properly it can cause the trimmer's feed system to malfunction. For this reason, users are strongly urged to purchase the pre-wound spool.

1. Hold the loose ends of the line together with one hand, insert one end of the line into the groove on the spool.
2. Wind the line following the directional arrows on the spool housing and hook the two ends into the side grooves.



## MAINTENANCE AND STORAGE

**WARNING:** Before performing any repair work, always remove the battery pack and wait until the cutting blade has come to a standstill.

### CLEANING

1. Clean the unit using a damp cloth with a mild detergent.
2. Do not use any strong detergents on the plastic housing or the handle. They can be damaged by certain aromatic oils, such as pine and lemon, and by solvents such as kerosene. Moisture can also cause a shock hazard. Wipe off any moisture with a soft dry cloth.
3. Use a small brush or the air discharge of a small vacuum cleaner brush to clean the air vents on the rear housing.

### STORING THE UNIT

1. Remove the battery pack from the line trimmer when it is not in use.
2. Clean the tool thoroughly before storing it.
3. Store the unit in a dry, well-ventilated area, locked-up or up high, out of the reach of children. Do not store the unit on or adjacent to fertilizers, petrol, or other chemicals.

### Transport

Use the original packaging to ship whenever possible.

## MAINTENANCE AND STORAGE

Fault/malfunction	Cause	Remedy
Line trimmer fails to start	The battery pack is not attached to the line trimmer.	Attach the battery pack to the line trimmer
	No electrical contact between the trimmer and battery.	Remove battery, check contacts and reinstall the battery pack.
	The battery pack is depleted	Charge the battery pack.
	The lock-off lever and trigger are not depressed simultaneously.	Press down the lock-off lever and hold it, then depress the trigger to turn on the line trimmer.
Line trimmer stops while cutting	The motor shaft or trimmer head is bound with grass.	Stop the trimmer, remove the battery, and remove the grass from the motor shaft and trimmer head.
	The motor is over-loaded	Remove the trimmer head from the grass. The motor will recover to work as soon as the load is removed. When cutting, move the trimmer head in and out of the grass to be cut and remove no more than 20cm of length in a single cut.
	The battery pack or line trimmer is too hot.	Allow the battery pack or trimmer to cool until the temperature drops below 50°C.
Trimmer head will not advance line	The motor shaft or trimmer head is bound with grass.	Stop the trimmer, remove the battery, and remove the grass from the motor shaft and trimmer head.
	There is not enough line on the spool.	Remove the battery and replace the cutting line

# DECLARATION OF CONFORMITY

To the provisions of Council Directives

We

**SUMEC UK**

**Unit A&B Escrick Business Park Escrick, York YO19 6FD  
United Kingdom**

Declare that the product:

Description: 20V Grass Trimmer

Model No. LT C25B

Function: cutting Grass

## **Complies with the essential health and safety requirements of the following directives:**

Supply of Machinery (Safety) Regulations 2008

Electrical Equipment (Safety) Regulations 2016

The Restriction of the Use of Certain Hazardous Substances in Electrical and Electronic Equipment Regulations 2012

Noise Emission in the Environment by Equipment for use Outdoors Regulations 2001 Relative Notified Body (GB/8500/0184/21 Issue 1):

AnP Certification Limited

2, Parkfield Street Manchester M14 4PN

Measured Sound Power Level: 85 dB(A).

Guaranteed Sound Power Level: 88 dB(A).

## **Standards and technical specification referred to:**

For Appliance:

EN 60335-1:2012+A12

EN 50636-2-91:2014

EN IEC 55014-1:2021

EN IEC 55014-2:2021

For Charger:

EN 60335-1:2012+A11+A13+A14+A2

EN 60335-2-29:2004+A2+A11

EN 55014-1:2017+A11

EN 55014-2:2015

EN IEC 61000-3-2:2019

EN 61000-3-3:2013+A1

EN 62233:2008

Authorized Signatory

Date: 18.01.2023



Signature: \_\_\_\_\_

Place: York

Name: Mariana Hall

General Manager

SUMEC UK Co.,Ltd.

Unit A&B Escrick Business Park

Escrick, York YO19 6FD

United Kingdom



## CE DECLARATION

### To the provisions of Council Directives

We  
**MEROTEC GmbH,**  
**Otto-Brenner-Straße 8,**  
**47877 Willich/ Deutschland**

Declare that the product:  
Description: 20V Grass Trimmer  
Model No. LT C25B  
Function: cutting Grass

### Complies with the essential health and safety requirements of the following directives:

Machinery Directive 2006/42/EC

Electromagnetic Compatibility Directive 2014/30/EU

EC Directive 2011/65/EU and its amendment Directive (EU) 2015/863 (RoHS)

Noise Directive, amended by 2005/88/EC conformity assessment procedure: 2000/14/EC Annex VI

Measured Sound Power Level: 85 dB(A).

Guaranteed Sound Power Level: 88 dB(A).

### Standards and technical specification referred to:

For Appliance:

EN 60335-1:2012+A12

EN 50636-2-91:2014

EN IEC 55014-1:2021

EN IEC 55014-2:2021

For Charger:

EN 60335-1:2012+A11+A13+A14+A2

EN 60335-2-29:2004+A2+A11

EN 55014-1:2017+A11

EN 55014-2:2015

EN IEC 61000-3-2:2019

EN 61000-3-3:2013+A1

EN 62233:2008

Authorized Signatory

Date: 23.01.2023

Signature: \_\_\_\_\_



Place: Willich

Name: Roland Menken

General Manager

MEROTEC GmbH,  
Otto-Brenner-Straße 8,  
47877 Willich/ Deutschland

