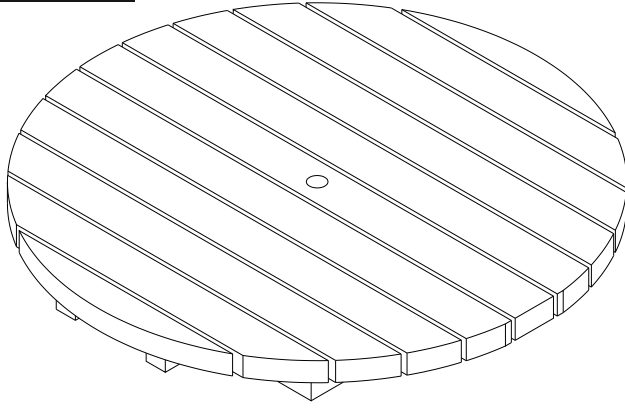


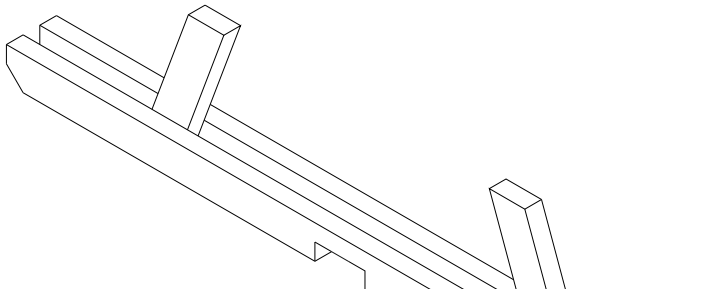
# 8 SEATER PICNIC TABLE

## INCLUDED

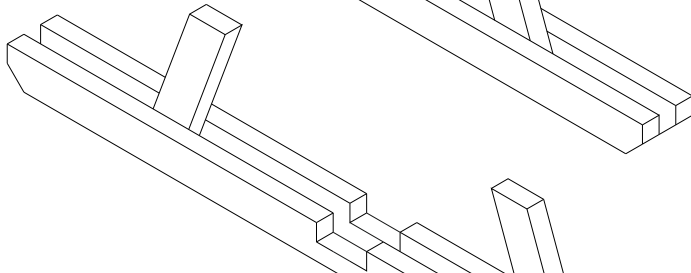
**x1**



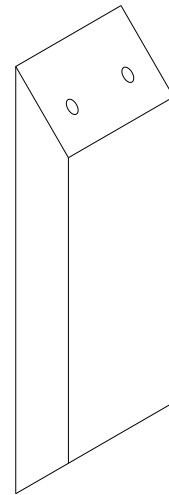
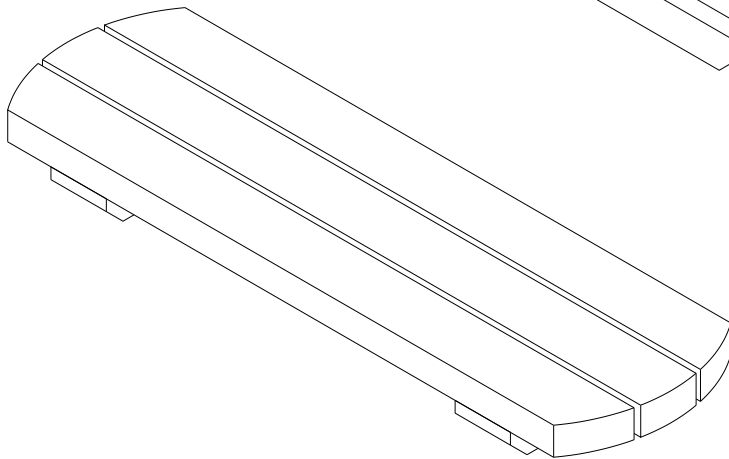
**x1**



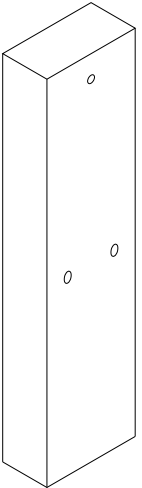
**x1**



**x4**



**x8**

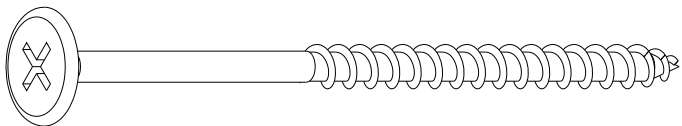


**x8**

---

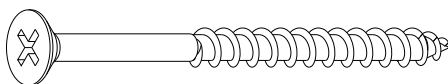
## ACCESSORY LIST

**x20**

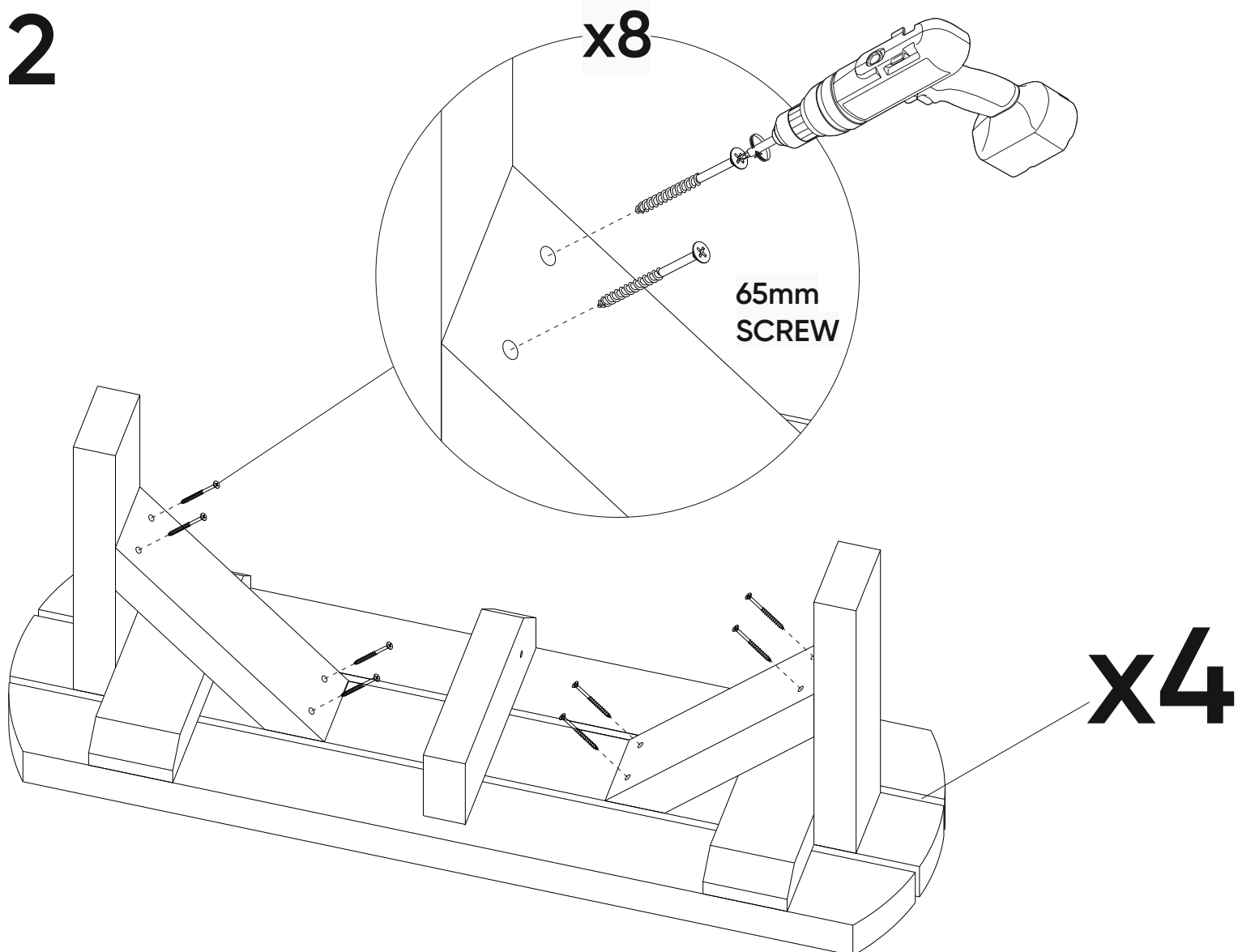
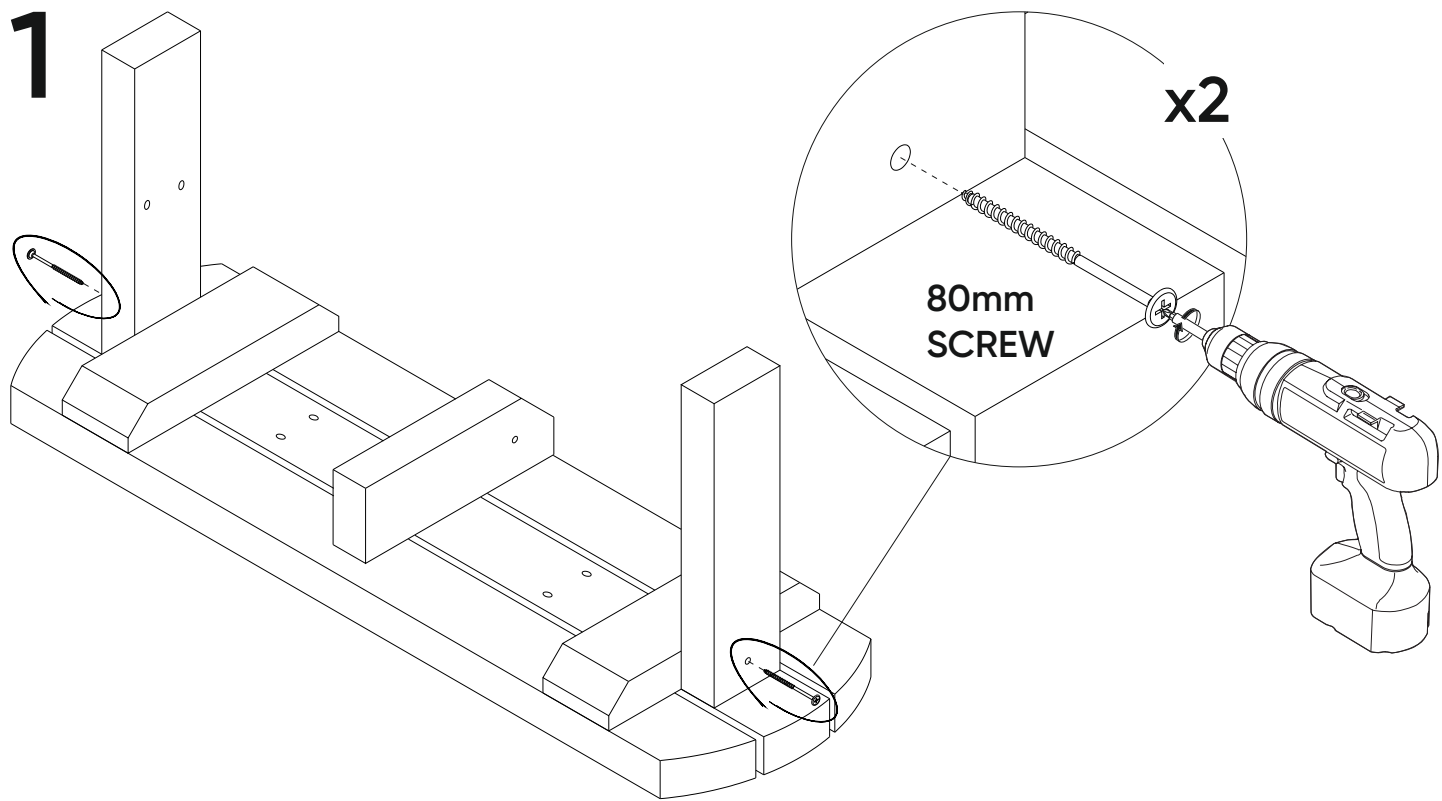


**80mm**

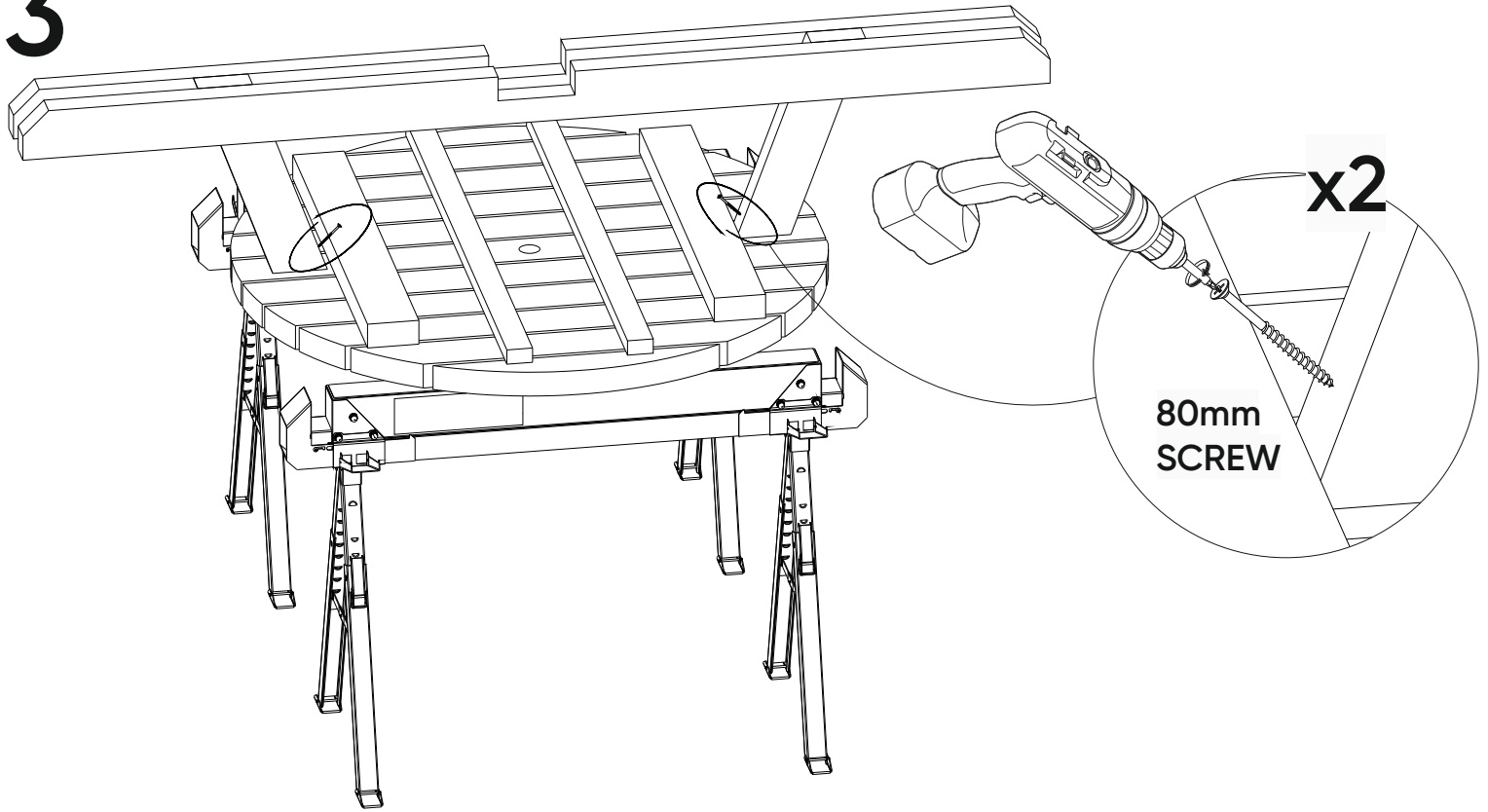
**x32**



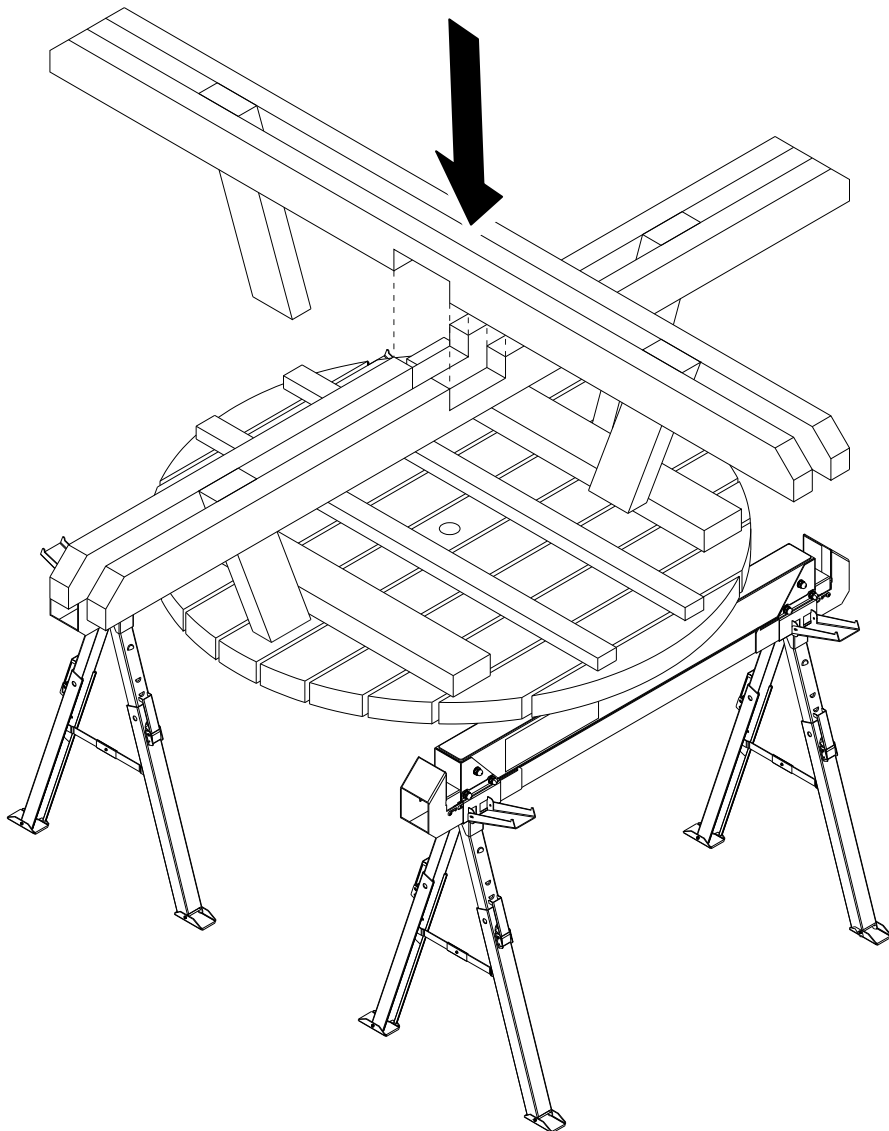
**65mm**



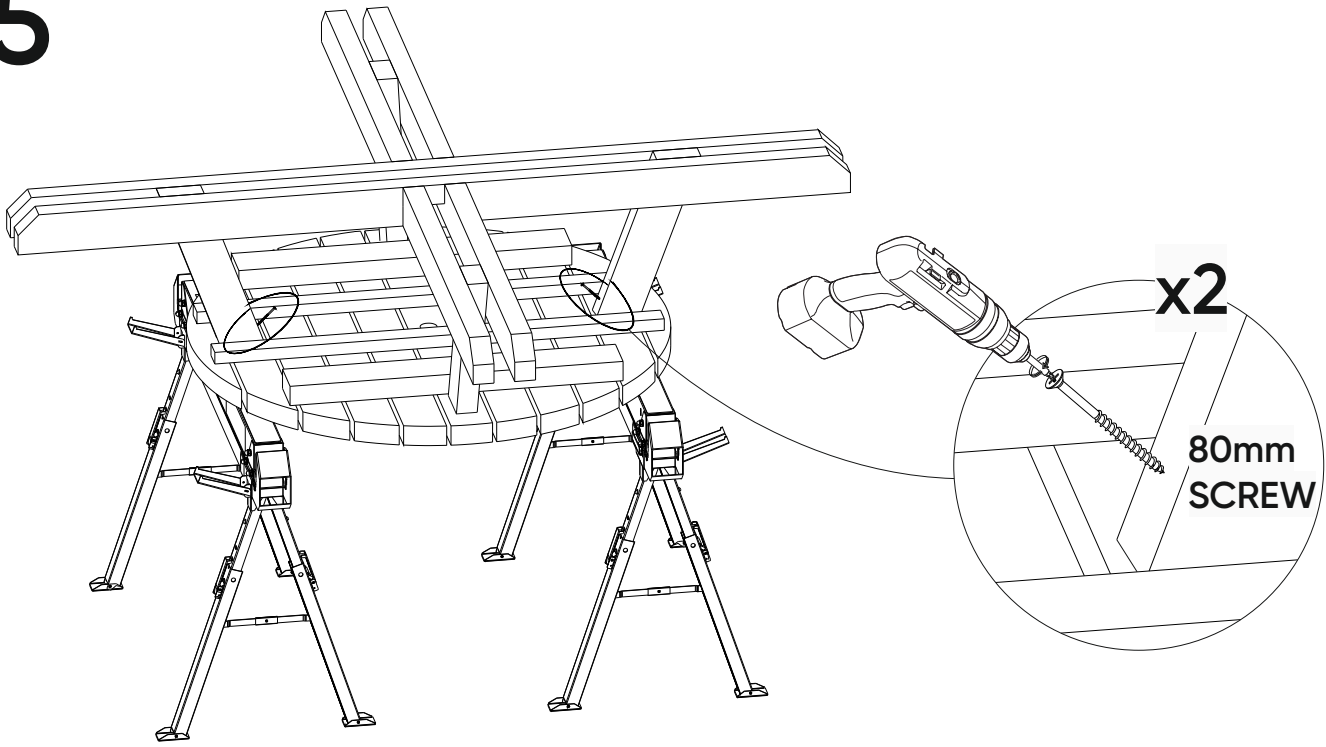
3



4



5



6

