



Scan QR code for  
assembly instructions

Kids Kitchen Playset

**TP10035**

USA office: Fontana

GBR office: Ipswich

AUT office: Truganina

If you're having difficulty, our friendly  
customer team is always here to help.



USA:cs.us@costway.com  
AUS:cs.au@costway.com  
GBR:cs.uk@costway.com

THIS INSTRUCTION BOOKLET CONTAINS **IMPORTANT** SAFETY INFORMATION. PLEASE READ AND KEEP FOR FUTURE REFERENCE.



## Before You Start

Please read all instructions carefully and keep it for future reference.

### General Security Warning

**Caution:** Children should use this product under the parental supervision.

**Danger:** Keep all small parts and packaging materials for this product away from babies and children, otherwise they may pose a choking hazard.

**Danger:** Lack of attachment may cause a risk of tipping.



### WARNING: CHOKING HAZARD

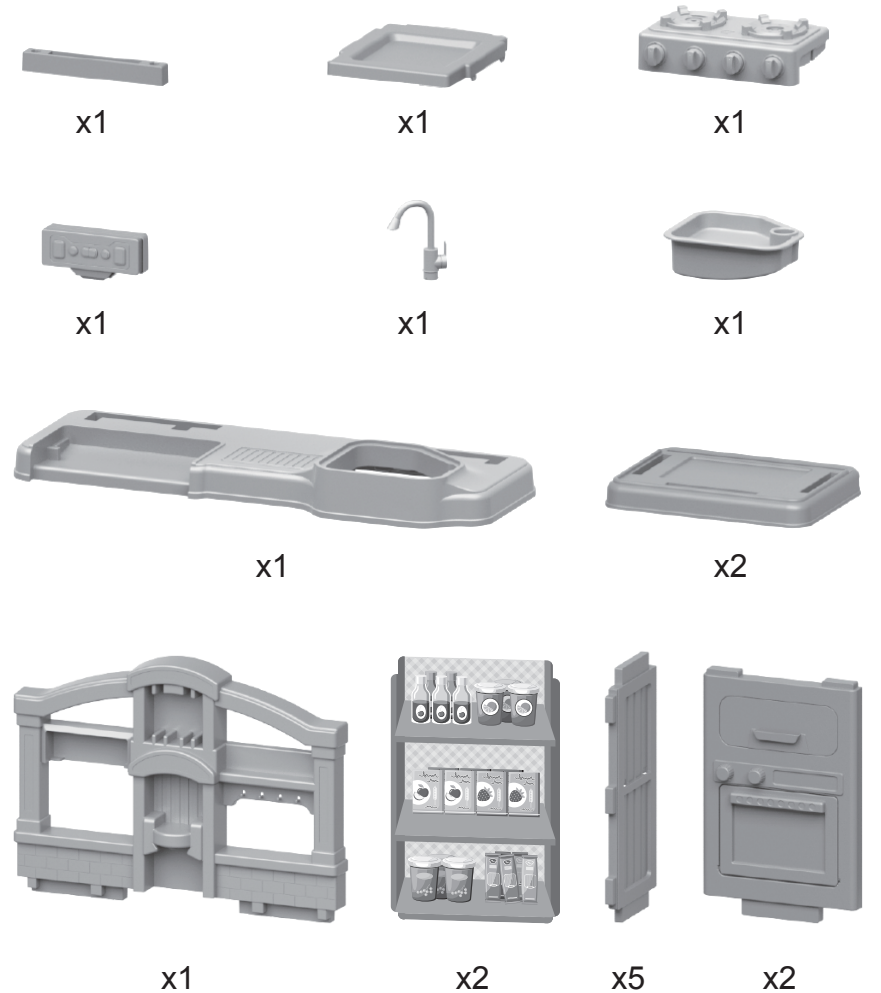
-Small parts.

Not for children under 3 years.

### Warning for Assembly

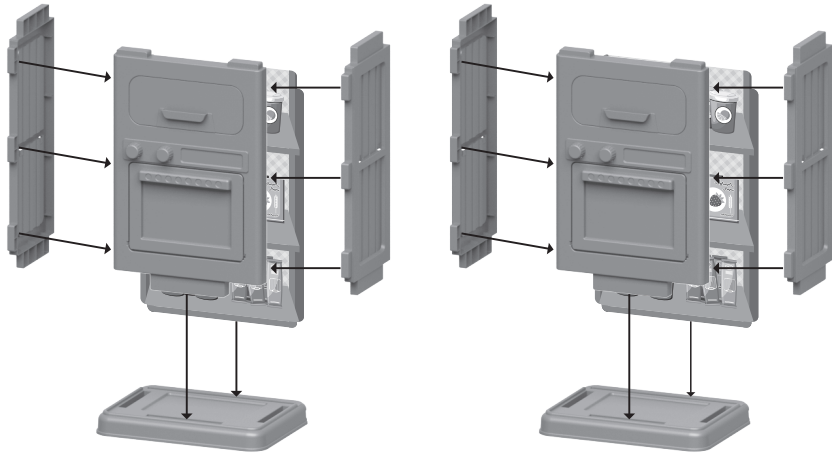
- ⚠ Assembled only by adults
- ⚠ Remove all packaging, separate and count all parts and hardware.
- ⚠ Read through each step carefully and follow the proper order.
- ⚠ We recommend that, where possible, all items are assembled near the area in which they will be placed in use, to avoid moving the product unnecessarily once assembled.
- ⚠ Ensure a secure surface during installation, and place the product always on a flat, steady and stable surface.

## Parts List

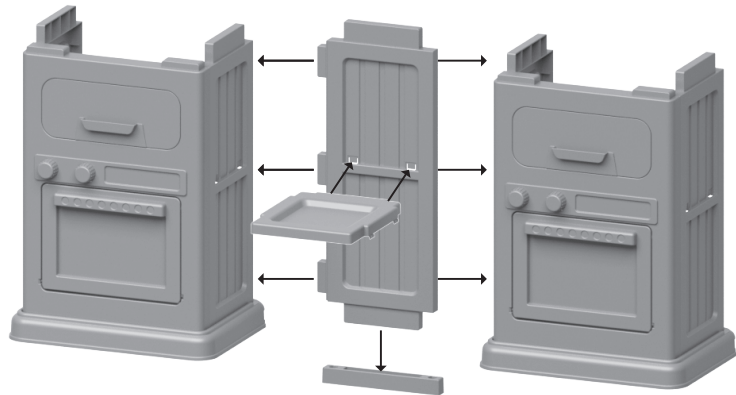


## Installation Method

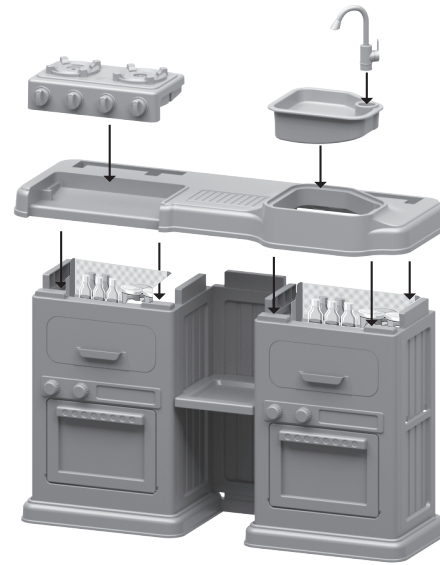
1



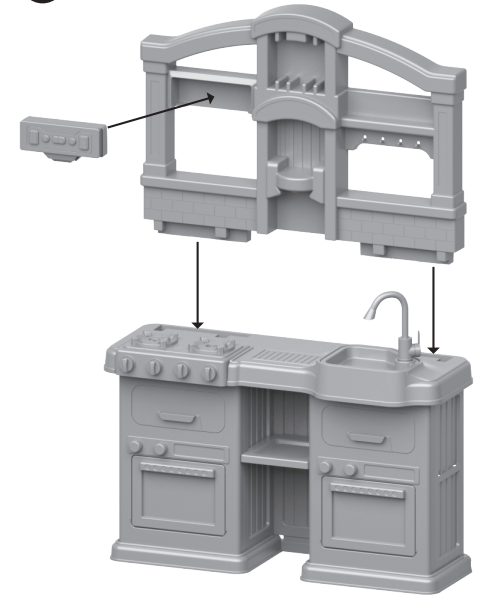
2



3



4



Assembled



## Toy Stove Instructions

### 1 Install this waterproof ring

○ Waterproof ring



### 2 Install waterproof gasket

⬇ Waterproof gasket



### 3 Turn right to fix on



### 4 Fill water into the small holes of stove and the pot



### 5 Turn on switch. (Spraying / Boiling / Lights / Sounds)



#### NOTE:

This package contains some small parts and hardware with sharp edges or points, which may result a CHOKING HAZARD. Keep them away from children until it is assembled. The color box has the detailed function usage methods. Keep it for further reference.

EN



## Return / Damage Claim Instructions

- ⚠ **DO NOT discard the box / original packaging.**  
In case a return is required, the item must be returned in original box. Without this your return will not be accepted.
- ⚠ **Take a photo of the box markings.**  
A photo of the markings (text) on the side of the box is required in case a part is needed for replacement. This helps our staff identify your product number to ensure you receive the correct parts.
- ⚠ **Take a photo of the damaged part (if applicable).**  
A photo of the damage is always required to file a claim and get your replacement or refund processed quickly. Please make sure you have the box even if it is damaged.
- ⚠ **Send us an email with the images requested.**  
Email us directly from marketplace where your item was purchased with the attached images and a description of your claim.