



Please give us a chance to make it right and do better !

Contact our friendly customer service department for help first.
Replacements for missing or damaged parts will be shipped ASAP !

US office: Fontana **UK** office: Ipswich **AU** office: Truganina
DE office: Hamburg **FR** office: Saint Vigor d'Ymonville **PL** office: Gdańsk



Contact Us!

Do NOT return this item.

Contact our friendly customer service department for help first.



US:cs.us@costway.com
UK:cs.uk@costway.com
AU:cs.au@costway.com

USER'S MANUAL

BASKETBALL STAND SP37743

THIS INSTRUCTION BOOKLET CONTAINS **IMPORTANT** SAFETY INFORMATION. PLEASE READ AND KEEP FOR FUTURE REFERENCE.



Before You Start

- ⚠ Please read all instructions carefully.
- ⚠ Retain instructions for future reference.
- ⚠ Separate and count all parts and hardware.
- ⚠ Read through each step carefully and follow the proper order.
- ⚠ We recommend that, where possible, all items are assembled near to the area in which they will be placed in use, to avoid moving the product unnecessarily once assembled.
- ⚠ Always place the product on a flat, steady and stable surface.
- ⚠ Keep all small parts and packaging materials for this product away from babies and children as they potentially pose a serious choking hazard.



WARNING

IMPROPER INSTALLATION OR SWINGING ON THE RING MAY CAUSE SERIOUS INJURY OR DEATH.

NOTICE TO ASSEMBLERS:

All the basketball systems, including those used for displays, must be assembled and ballasted according to instructions. Failure to follow instructions could result in serious injury.

Please read all warnings and cautions before assembly. It is recommended to supervise children as they play with this product. This product is to be assembled by 2 adults only!

We appreciate your purchasing one of our many fine products. We assure that you will be very satisfied with your selection.

ASSEMBLY STEPS:

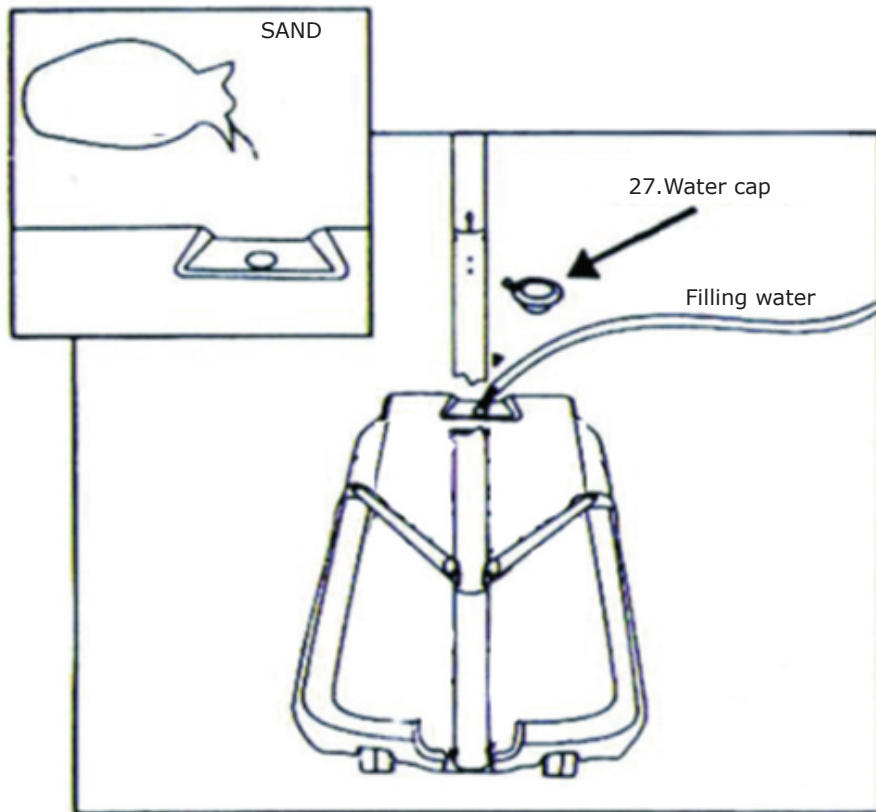
1. Open the carton, find out all the parts listed on the parts diagram, two adults are required for assembly.
2. Fix ring(2)and board bracket(4)on board(1)by bolts(5)(24)and nuts(6). After that, use bolts(7)to fix the top of board bracket (4)on the back of board(1)tightly. Insert top pole(11)into board bracket(4),fix them by bolts(8)and nuts(9).
3. Fix top pole(11) and middle pole(12) together by 2 pcs of bolt (22) and 2 pcs nuts (23).
4. Place the base(14)on a chosen playing ground, the surface beneath the base should be level. Insert the wheel shaft(15)into wheel(16), base(14)and end of bottom pole (13) in sequence.

5. Fix one end of the 2pcs pole braces(19) on bottom pole(13)by bolt(17)and nut(18).

Then fix another end of the 2pcs pole braces(19)on base(14)by bolt(20)and nut(21).

6. Fix middle pole(12) and bottom pole(13)together by 2 pcs bolt (22) and 2 pcs nuts (23).

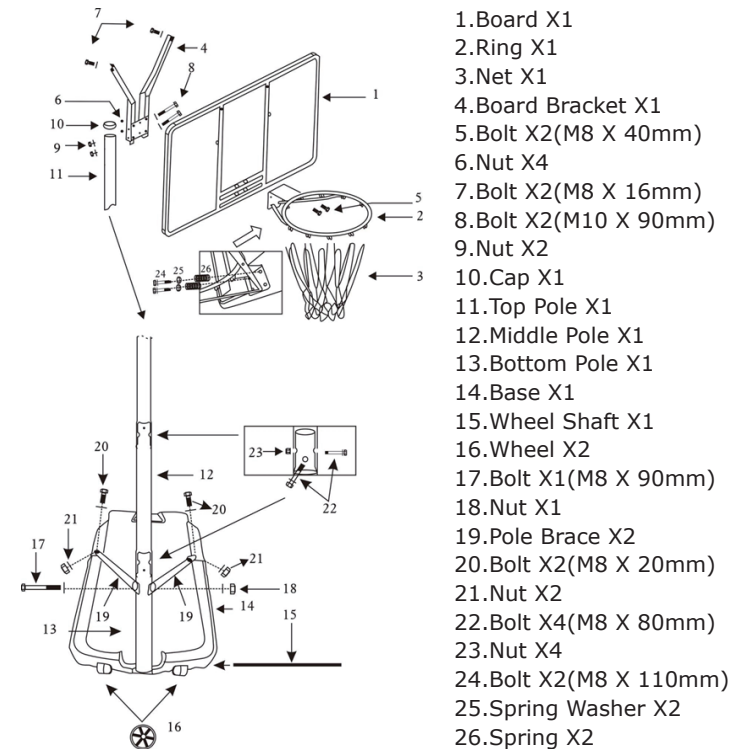
7. Tighten all the nuts. Filling the base with water or sand as below:



WHEN USING WATER:

- Place the base on a smooth surface only! Without gravel or other sharp objects which could puncture the base and cause leakage.
- Check the base frequently for cracks and punctures.
- Always check the water level before the game. If a leak is found or the water level is low, lay the system onto the ground so that it can't tip over.
- Add a tablespoon of chlorine bleach to the water each time the base is filled with water. This prevents algae forming inside the base.

EXPLODED VIEW



MOVING THE SYSTEM:

- * The system should be moved by at least 2 adults capable of handling its weight.
Children should not be allowed to move the system.
- * Stand in front of the system and pull the pole forward until the system is balanced on its wheels.
- * Move the system to the desired location and carefully set the base down.

WARNING! !

FAILURE TO COMPLY WITH THESE WARNINGS COULD RESULT IN INJURY.

FAILURE TO COMPLY COULD ALSO RESULT IN PROPERTY DAMAGE.

1. Never hang from the rim or climb on the pole as injury or property damage could occur.

For these reasons do not perform dunking activities on this system as it is not designed for such use. Do not allow children to climb on the basketball system.
2. Never leave the unit assembled without weight in the tank.
3. Check the base frequently for leaks or loose cap. Slow leakage could cause the system to tip over unexpectedly and damage the floor if used indoors.
4. Seat the pole sections properly. Not doing so might allow the pole sections to separate during play or during transportation for this system.

5. Further check before each use if all fittings and hardware are tight.
6. Climate, corrosion or misuse could result in system failure.
7. This system is not intended for children 3 and under.
8. All players must use sufficient guards when playing.

POLE CARE AND SYSTEM MAINTENANCE:

The service life of your basketball system depends on many variables. The climate, exposure to corrosives such as salt, pesticides or herbicides and excessive use or misuse can all contribute to pole failure, which may cause property damage or personal injury.

Check your basketball system frequently for loose hardware, excessive wear and signs of corrosion. For safety reasons and to prolong the life of your basketball system, you must take the following preventive measures:

- * Check all nuts and bolts. If there is any looseness, tighten them.
- * Check all pole sections for visible rust, chipped or cracked paint. If either are present, do the following:
 1. Use an emery cloth to completely remove any rust or chipped paint.
 2. Clean the area with a damp cloth and allow it to dry.
 3. Apply two coats of a rust preventative, high-gloss enamel to the area. Allow the paint to dry between two coats.