

Upholstered Dining Chair Set of 2

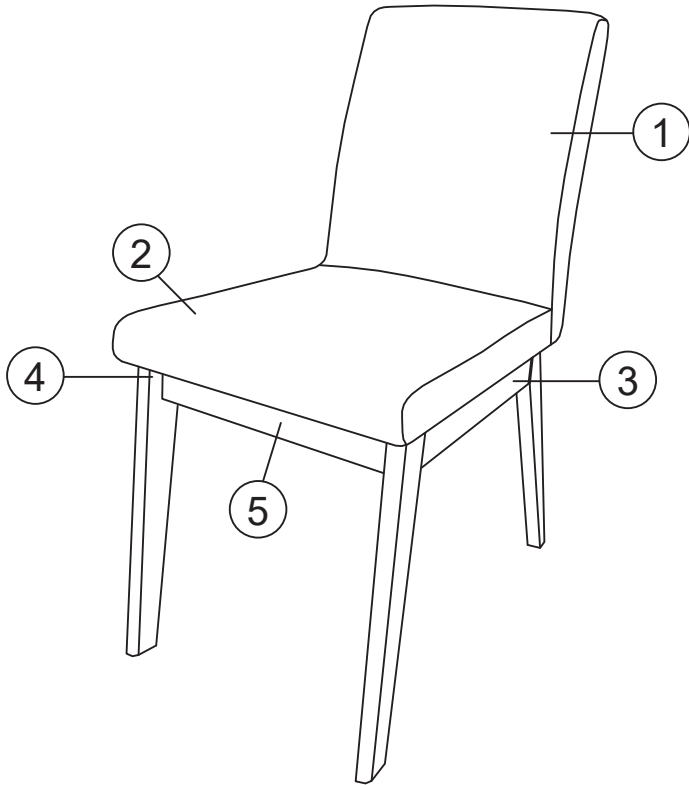
KC58812

THIS INSTRUCTION BOOKLET CONTAINS **IMPORTANT** SAFETY INFORMATION.
PLEASE READ AND KEEP FOR FUTURE REFERENCE.



Before You Start

- ⚠ Please read all instructions carefully.
- ⚠ Retain instructions for future reference.
- ⚠ Separate and count all parts and hardware.
- ⚠ Read through each step carefully and follow the proper order.
- ⚠ We recommend that, where possible, all items are assembled near to the area in which they will be placed in use, to avoid moving the product unnecessarily once assembled.
- ⚠ Always place the product on a flat, steady and stable surface.
- ⚠ Keep all small parts and packaging materials for this product away from babies and children as they potentially pose a serious choking hazard.



PARTS LIST

① x2



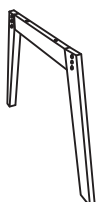
Backrest

② x2



Seat cushion

③ x2



Left leg frame

④ x2



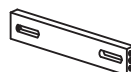
Right leg frame

⑤ x2



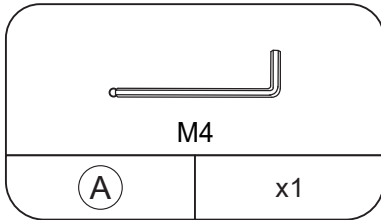
Front seat rail

⑥ x2

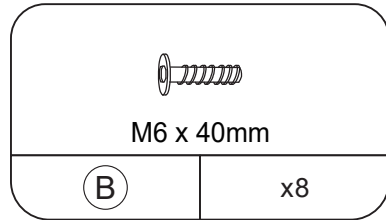


Back seat rail

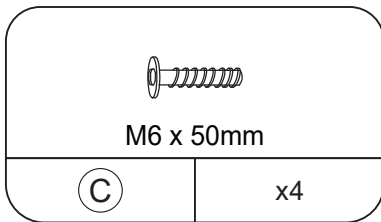
HARDWARE LIST



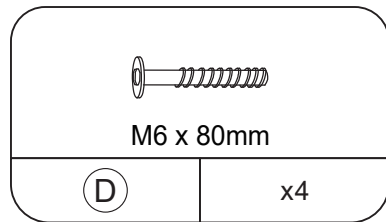
Allen key



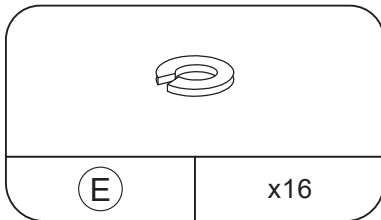
Bolt



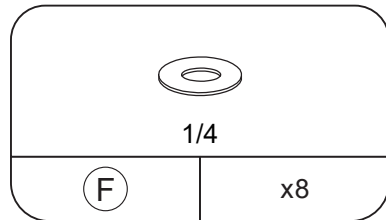
Bolt



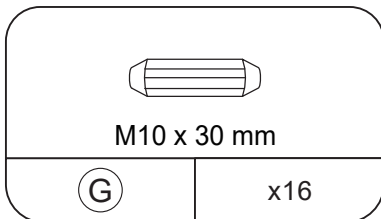
Bolt



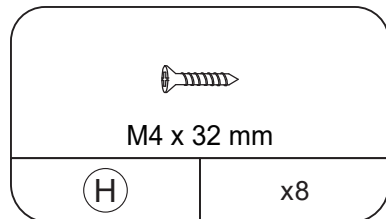
Spring washer



Flat washer

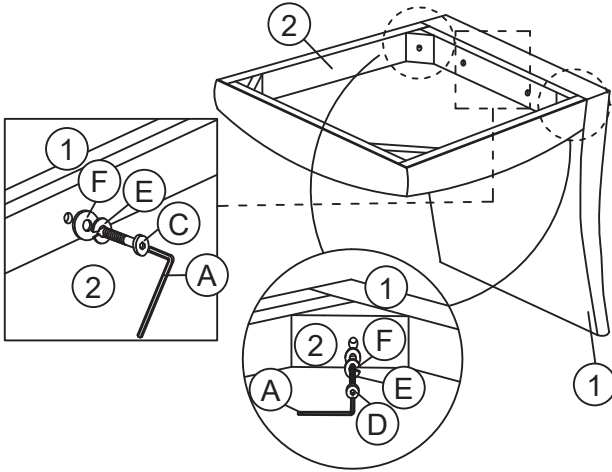


Wood dowel

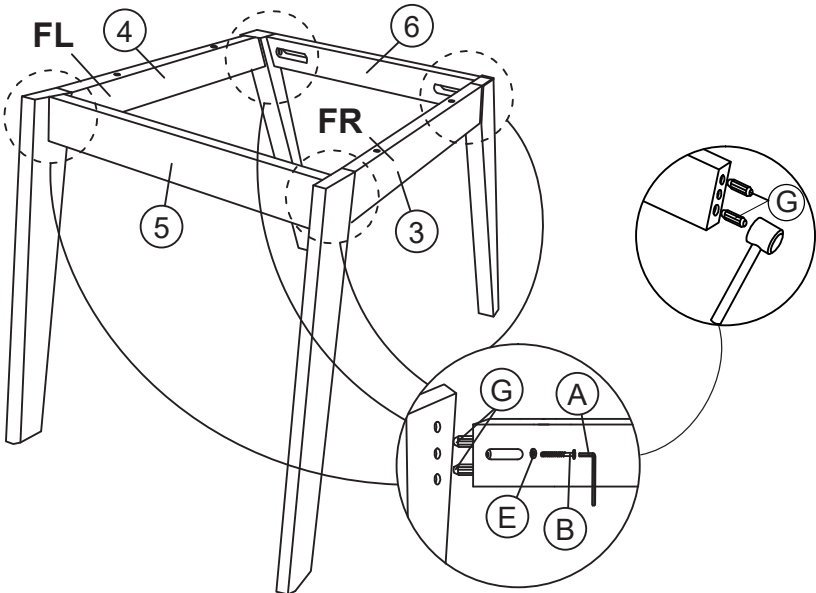


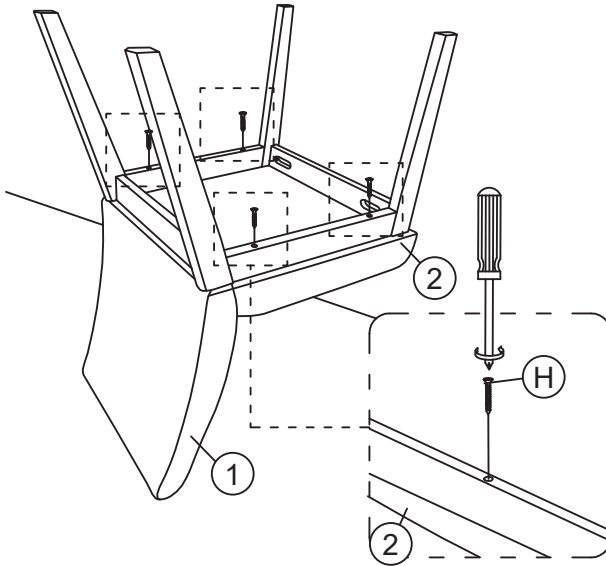
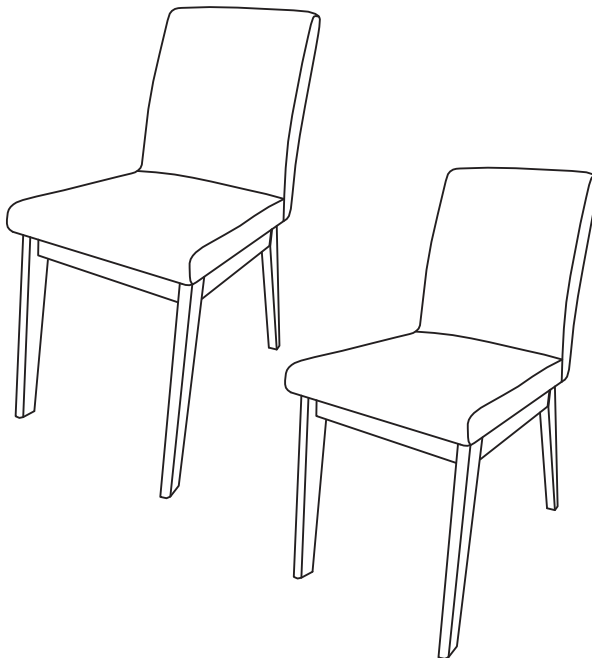
Screw

1 x2



2 x2



3**x2****4**



USA office: Fontana **AUS** office: Truganina

GBR office: FDS Corporation Limited, Unit 4, Blackacre Road, Great Blakenham,
Ipswich, IP6 0FL, United Kingdom