

Baby High Chair

AD10023

USA office: Fontana **AUS** office: Truganina
GBR office: FDS Corporation Limited, Unit 4, Blackacre
Road, Great Blakenham, Ipswich, IP6 0FL, United Kingdom

IMPORTANT! READ CAREFULLY AND KEEP FOR FUTURE REFERENCE





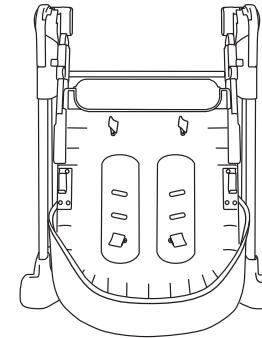
Before You Start

Please read all instructions carefully and keep it for future reference.

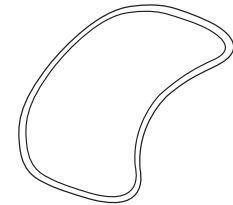
GENERAL WARNINGS

- ⚠ Danger! Keep all small parts and packaging materials for this product away from babies and children, otherwise they may pose a choking hazard.
- ⚠ The product must be installed and used under the supervision of an adult.
- ⚠ Read through each step carefully and follow the proper order.
- ⚠ Remove all packaging, separate and count all parts and hardware before installation.
- ⚠ Please ensure that all parts are correctly installed, incorrect installation can lead to a danger.
- ⚠ We recommend that, where possible, all items are assembled near the area in which they will be placed in use, to avoid moving the product unnecessarily once assembled.
- ⚠ Ensure a secure surface during installation, and always place the product on a flat, steady and stable surface.

What's in the box?



Seat Unit

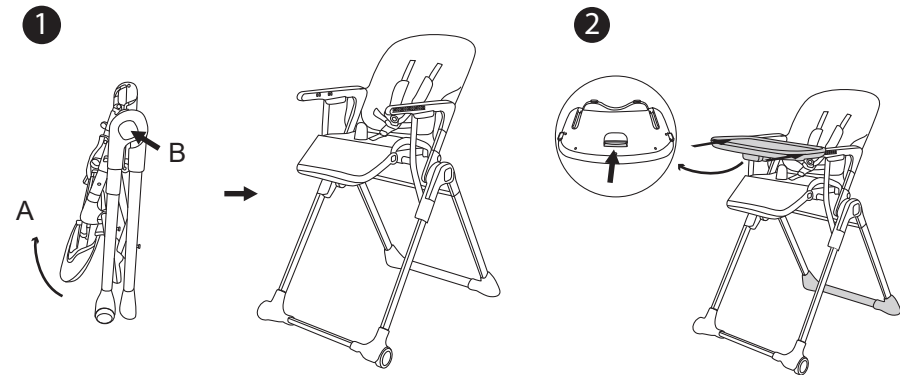


Tray

Pre-assembly information

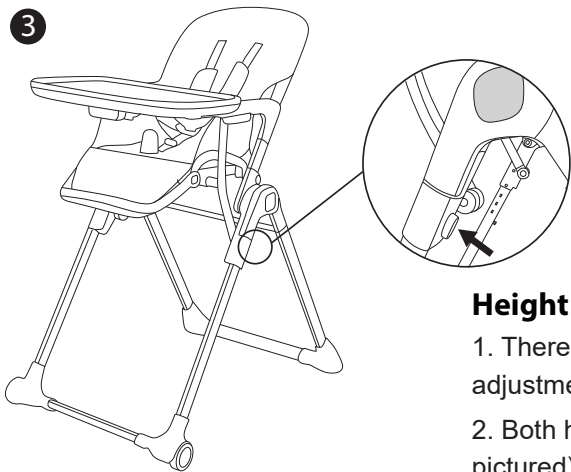
Please ensure you check all parts for damage or defects before using this high chair.

Product assembly



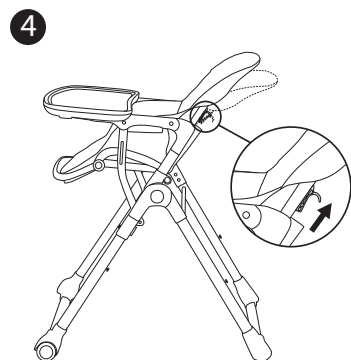
Open the seat unit.

Outward pull the button on the tray bottom and move to the desired position.



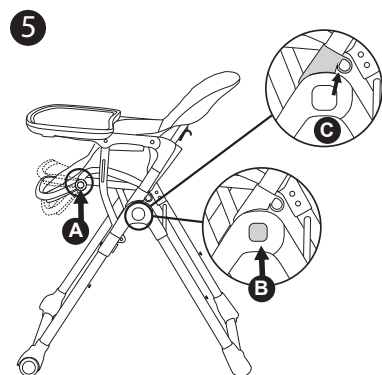
Height Adjustment

1. There are 5 positions for height adjustment.
2. Both hands press the button (as pictured), to move up and down to the desired position.



Backrest Adjustment

1. The vertical state of the backrest is only suitable for children who are more than 6 months old.
2. Hold the button on the back and pull up like the picture at the same time then pull back.



General Adjustments

1. 3-position adjustable footrest
2. One push folding function
3. Remove the tray, press button B to fold the legs, press button C to fold the entire unit, and finally hang the tray behind the seat and store it in the corner.

! WARNING

- Never leave the child unattended.
 - Always use the restraint system.
 - Falling hazard: Prevent your child from climbing on the product.
 - Do not use the product unless all components are correctly fitted and adjusted.
 - Be aware of the risk of open fire and other sources of strong heat in the vicinity of the product.
 - Be aware of the risk of tilting when your child can push his feet against a table or any other structure.
 - Do not use the highchair until your child can sit up unaided.
 - Do not use this product if any part is broken, torn or missing.
 - Use only on a level and stable surface.
 - Do not use near stairs or steps.
 - When not in use, store away from children
 - Keep children away when unfolding and folding the product to avoid injury.
 - This product is intended for children able to sit up unaided and up to 3 years or a maximum weight of 15 kg.
 - Don't move or carry the highchair when the baby is in the product.
 - It is not allowed to use accessories not provided by the manufacturer.
- If you have any questions, please contact us.

Cleaning and Maintenance

Metal parts may be cleaned with a damp cloth and wiped dry with a soft cloth. Clean the harness with a mild soap and water solution. Rinse and wipe dry. Clean plastic parts with a mild soap and water solution. Rinse and wipe dry. Do not use abrasive cleaners or bleach.