

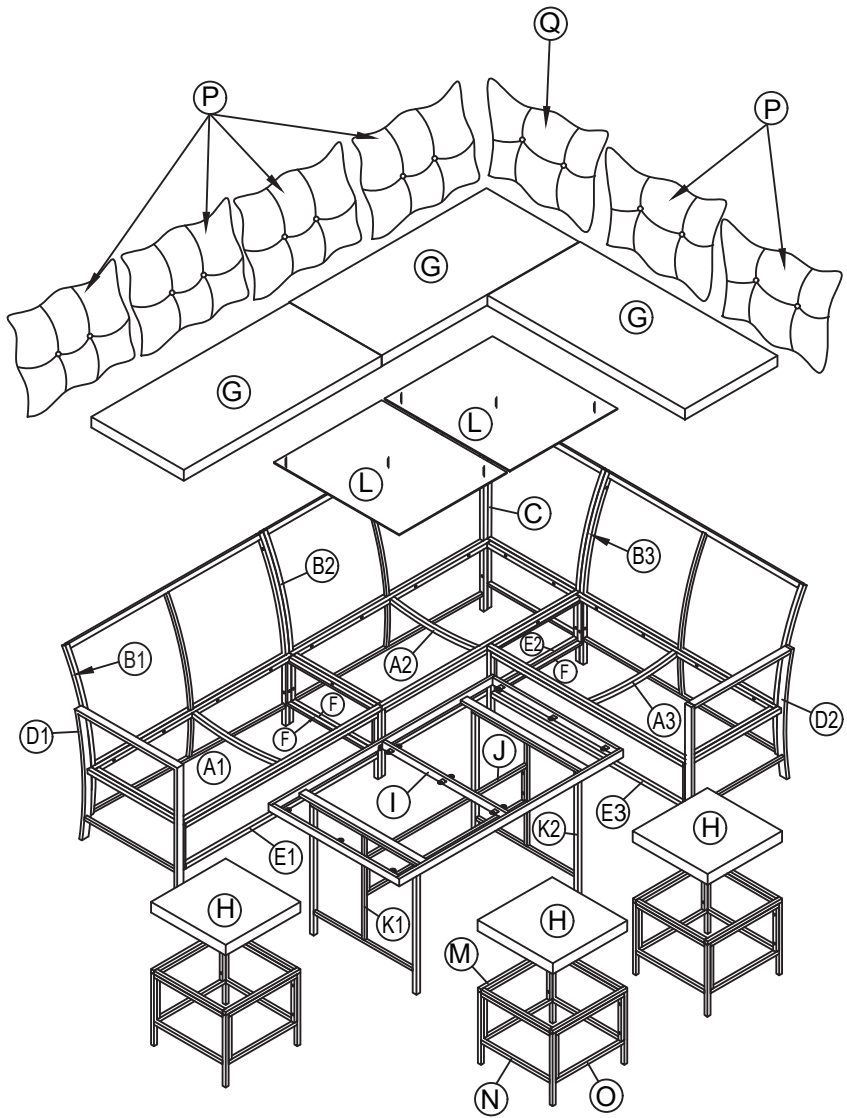
Patio Furniture Set  
**HW72354**

THIS INSTRUCTION BOOKLET CONTAINS **IMPORTANT** SAFETY INFORMATION.  
PLEASE READ AND KEEP FOR FUTURE REFERENCE.



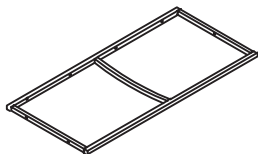
## Before You Start

- ⚠ Please read all instructions carefully.
- ⚠ Retain instructions for future reference.
- ⚠ Separate and count all parts and hardware.
- ⚠ Read through each step carefully and follow the proper order.
- ⚠ We recommend that, where possible, all items are assembled near to the area in which they will be placed in use, to avoid moving the product unnecessarily once assembled.
- ⚠ Always place the product on a flat, steady and stable surface.
- ⚠ Keep all small parts and packaging materials for this product away from babies and children as they potentially pose a serious choking hazard.

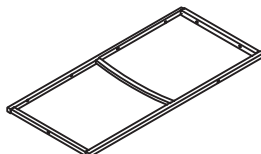


## PARTS LIST

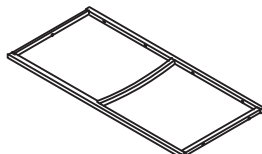
---



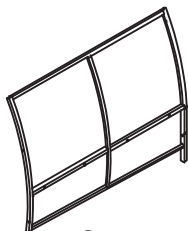
Ⓐ1 x1



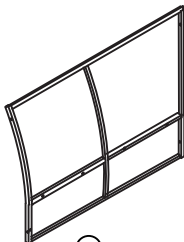
Ⓐ2 x1



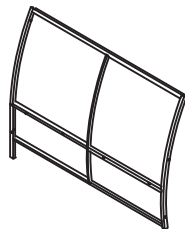
Ⓐ3 x1



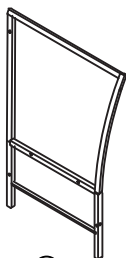
Ⓑ1 x1



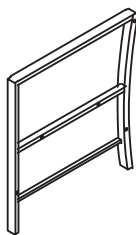
Ⓑ2 x1



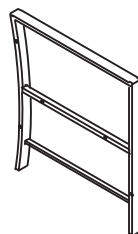
Ⓑ3 x1



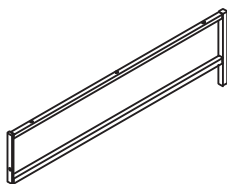
Ⓒ x1



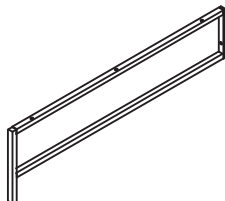
Ⓓ1 x1



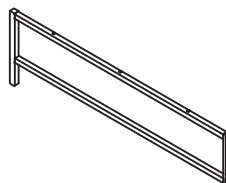
Ⓓ2 x1



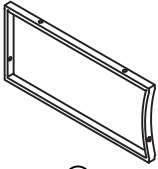
Ⓔ1 x1



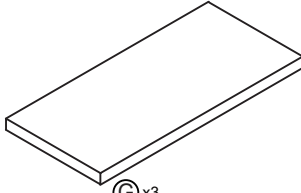
Ⓔ2 x1



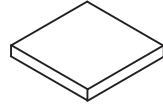
Ⓔ3 x1



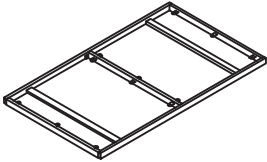
F x3



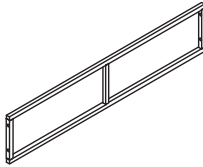
G x3



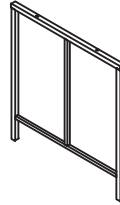
H x3



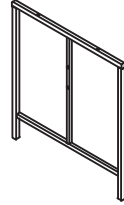
I x1



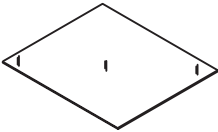
J x1



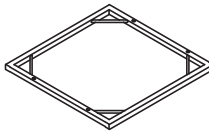
K1 x1



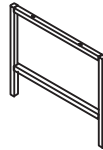
K2 x1



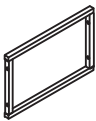
L x2



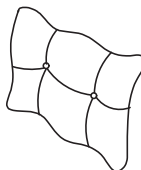
M x3



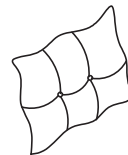
N x6



O x6

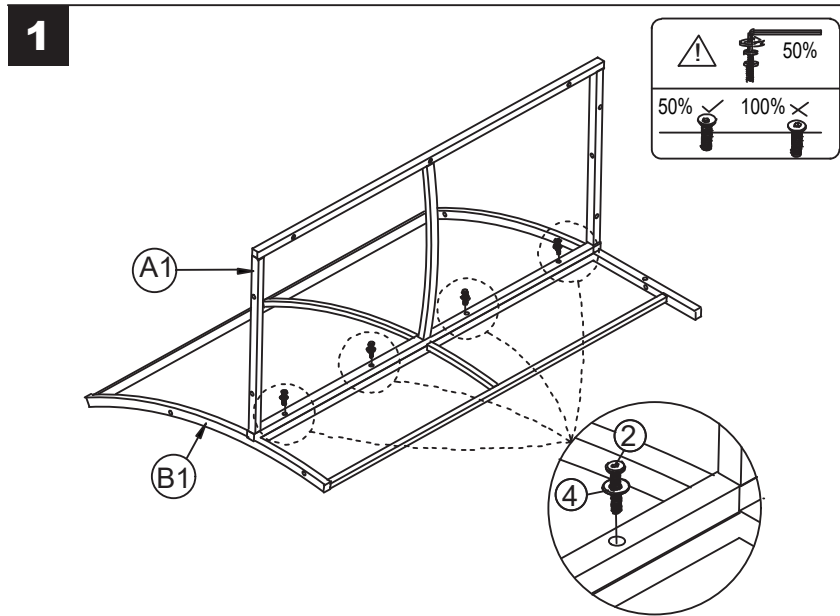
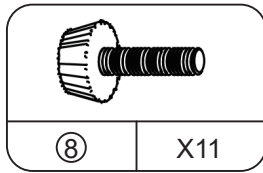
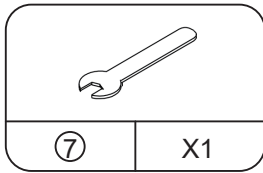
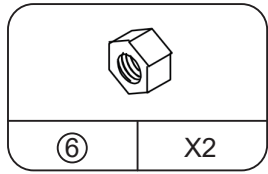
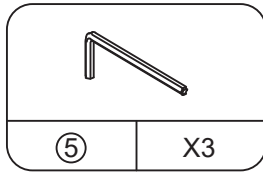
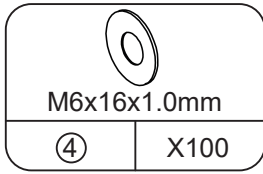
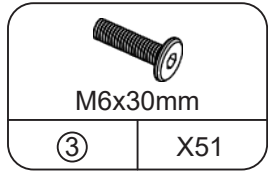
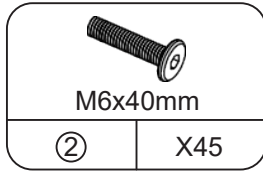
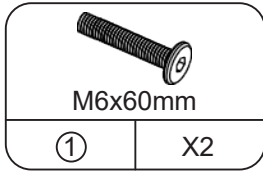


P x6

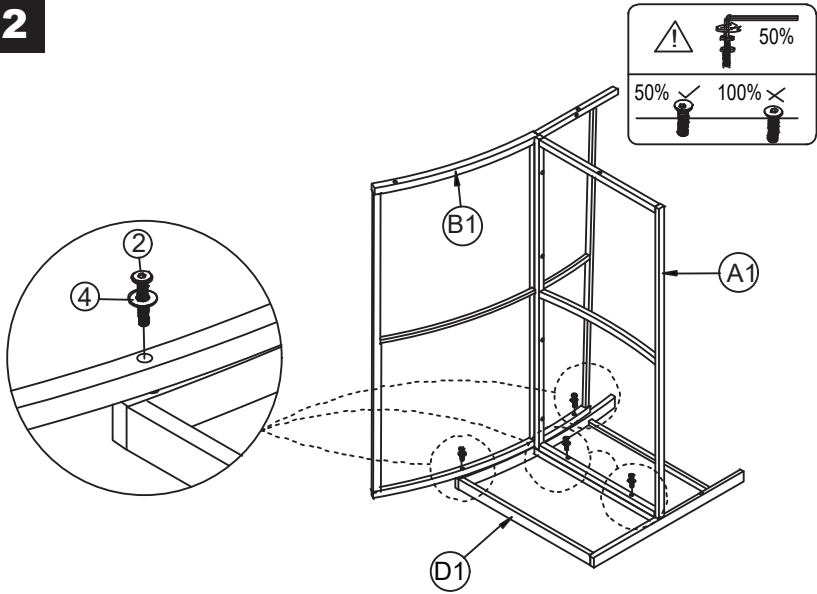


Q x1

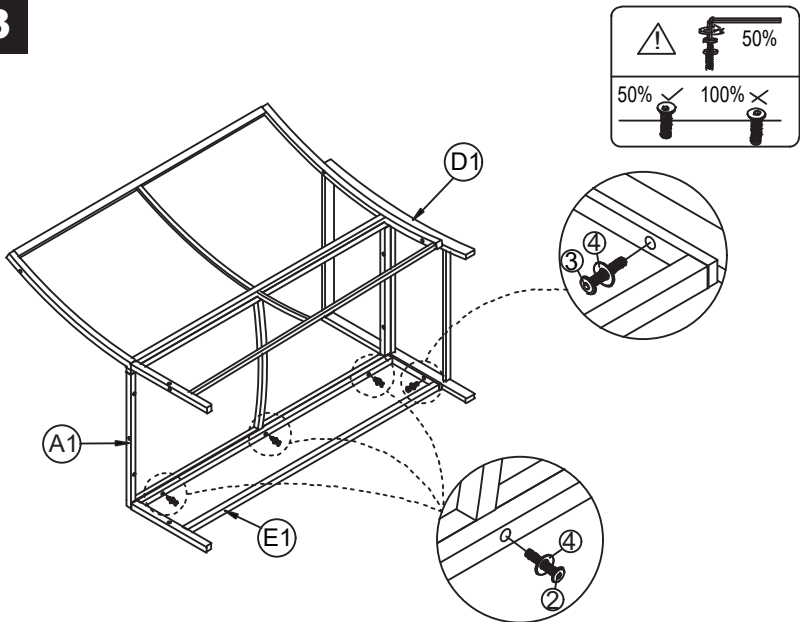
# HARDWARE



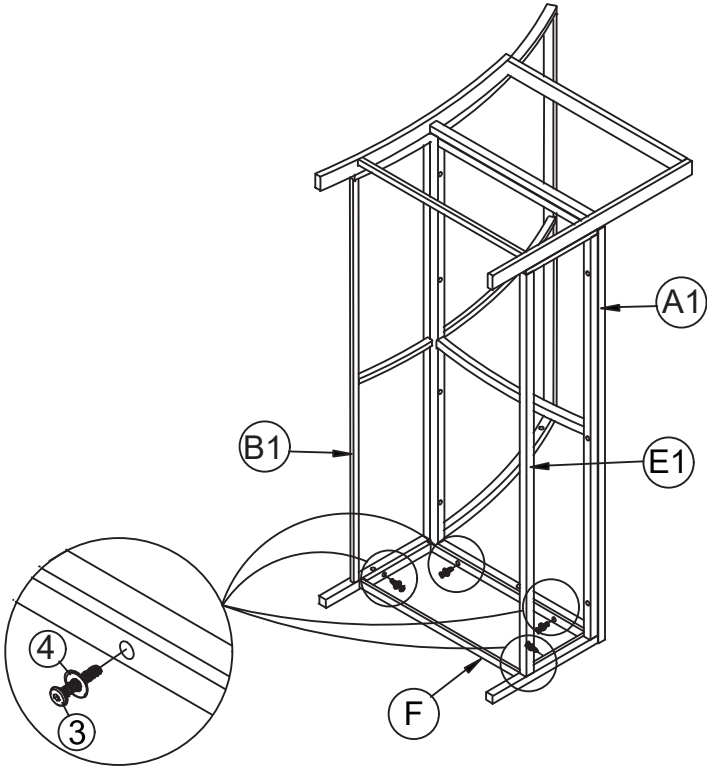
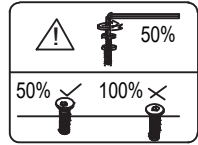
2



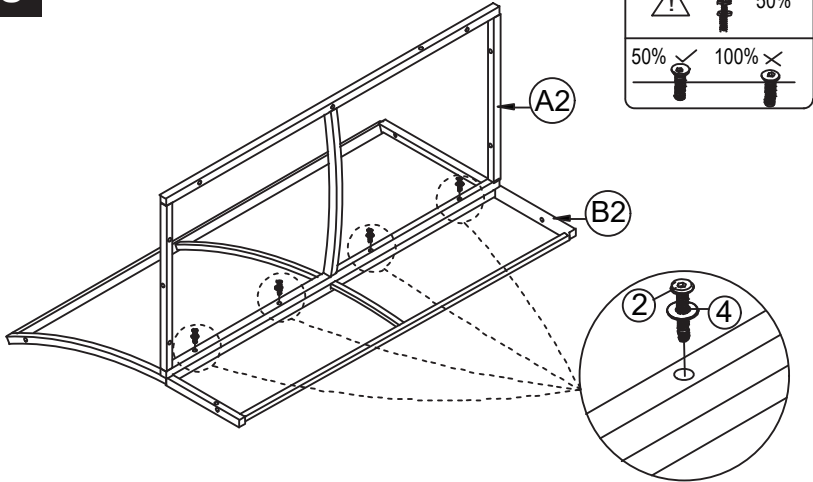
3



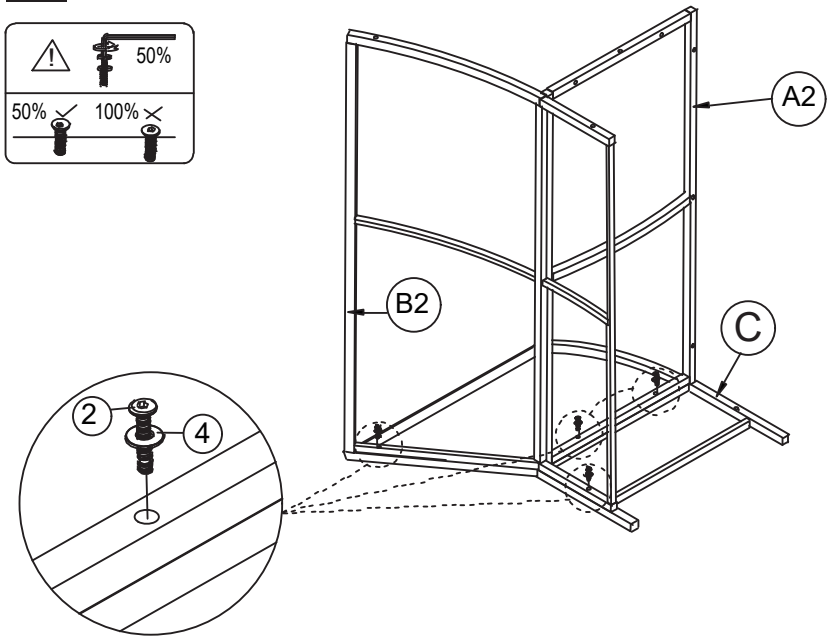
4



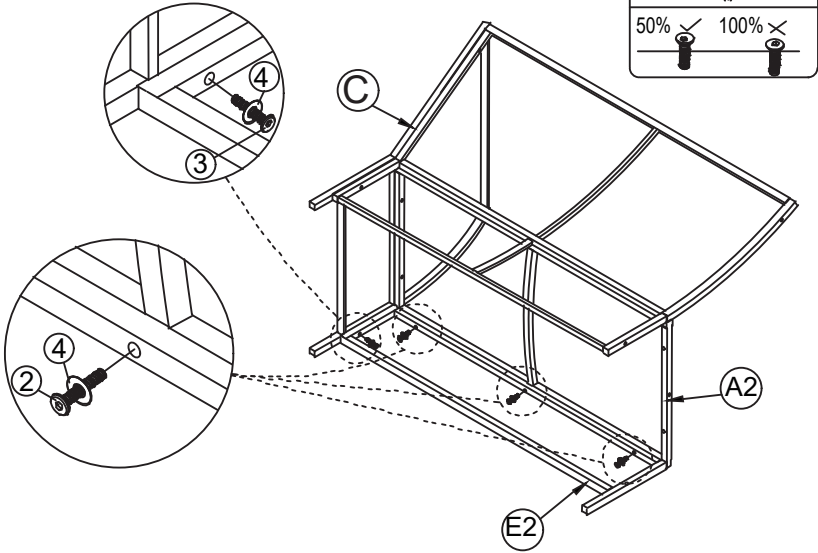
5



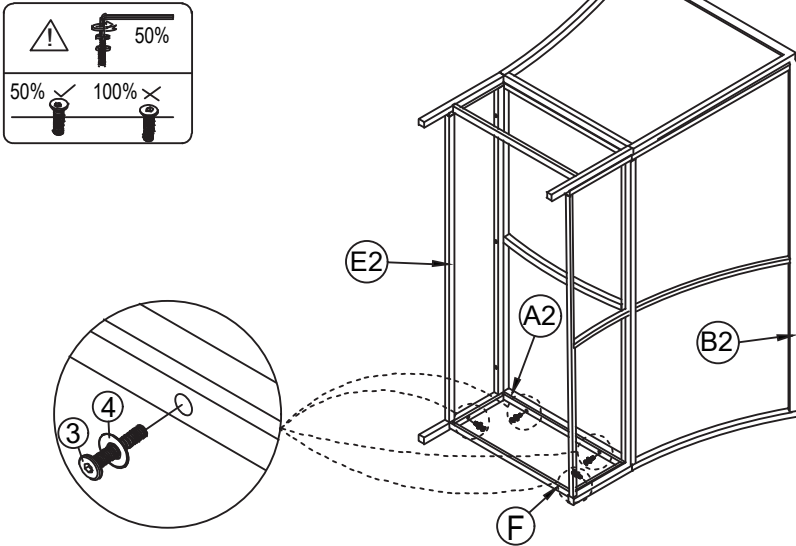
6



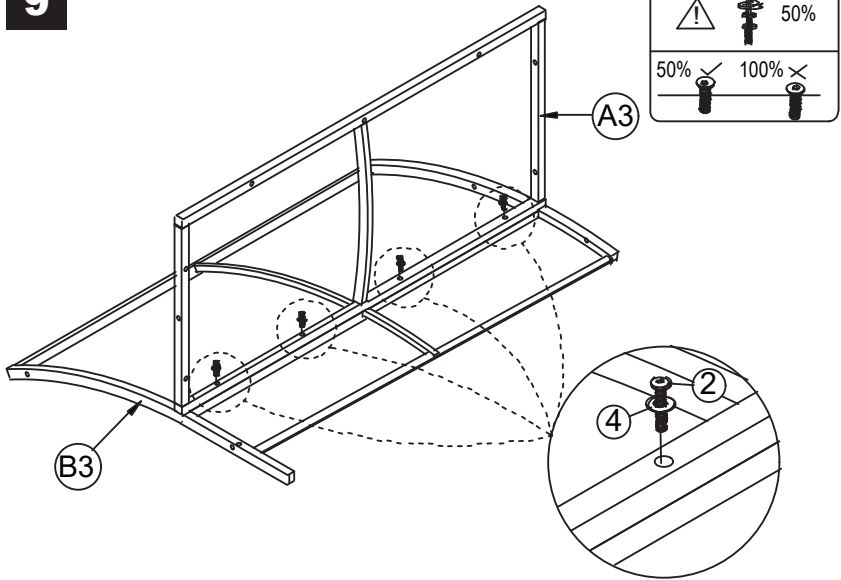
7



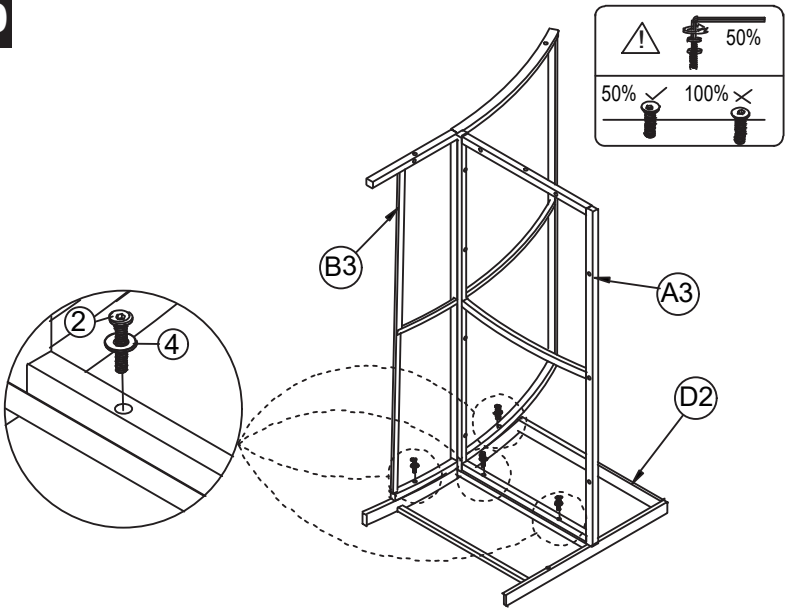
8



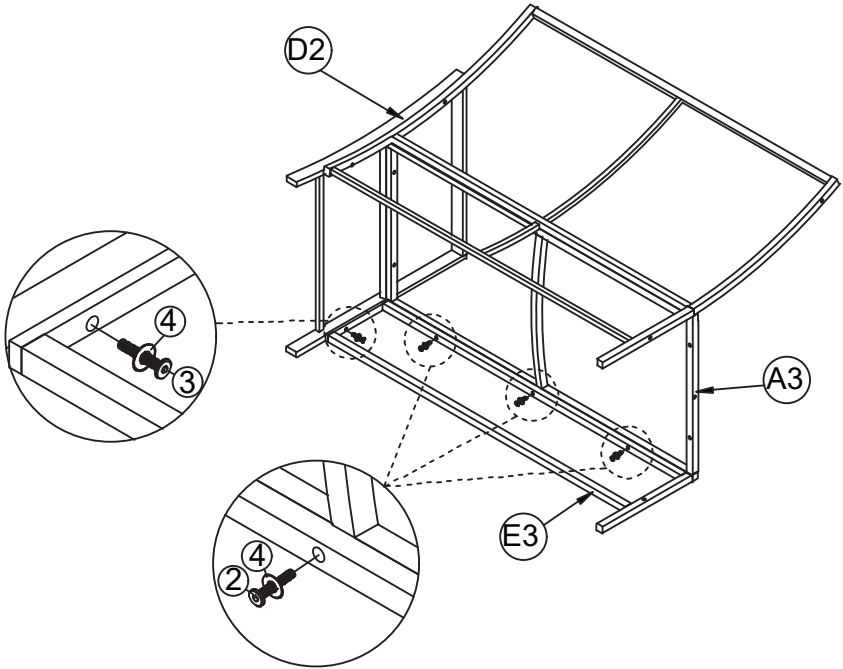
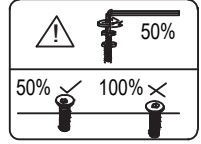
9



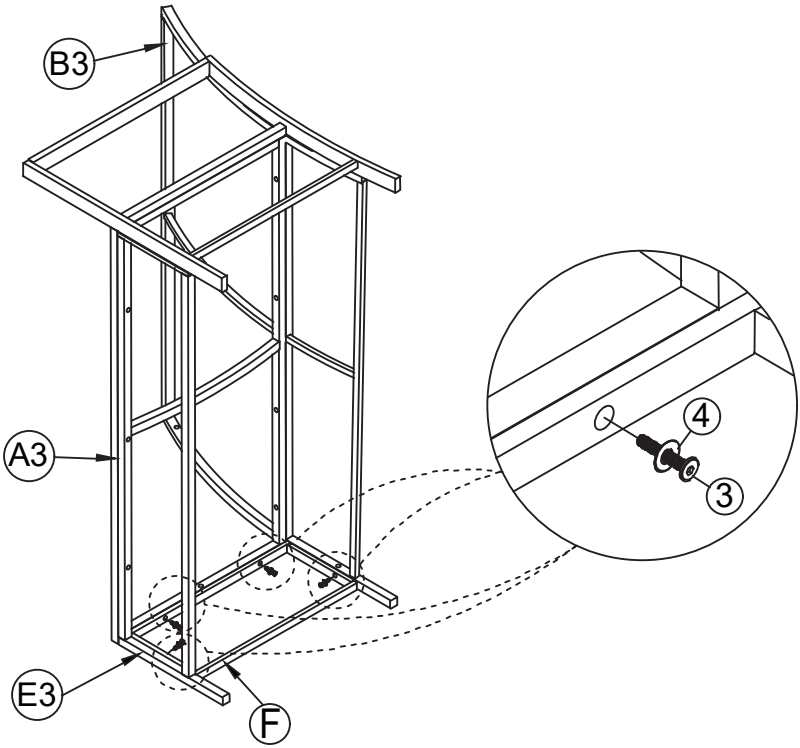
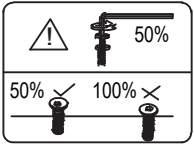
10



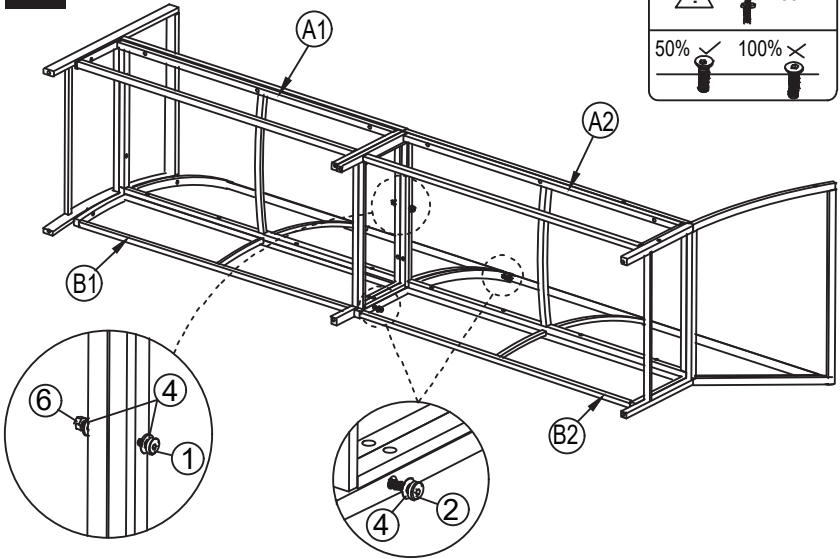
11



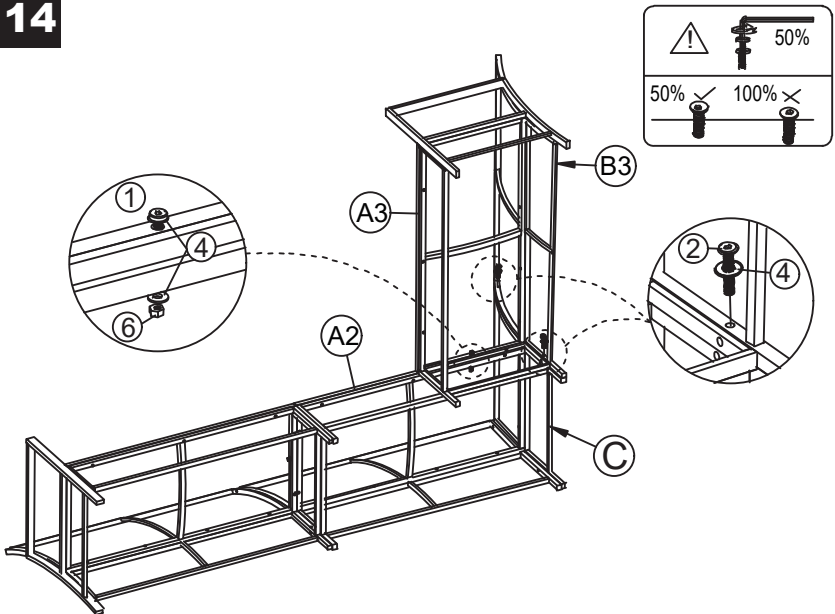
# 12

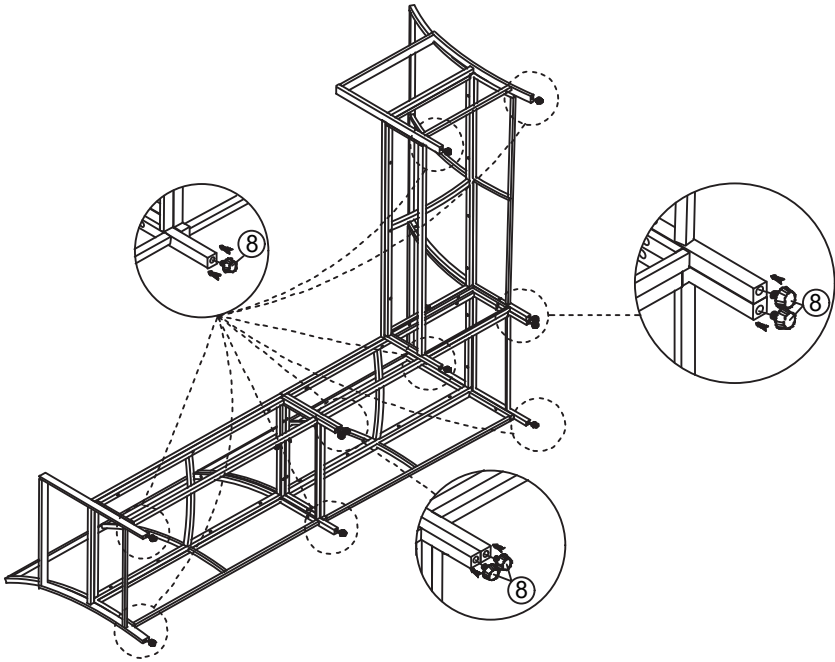


**13**

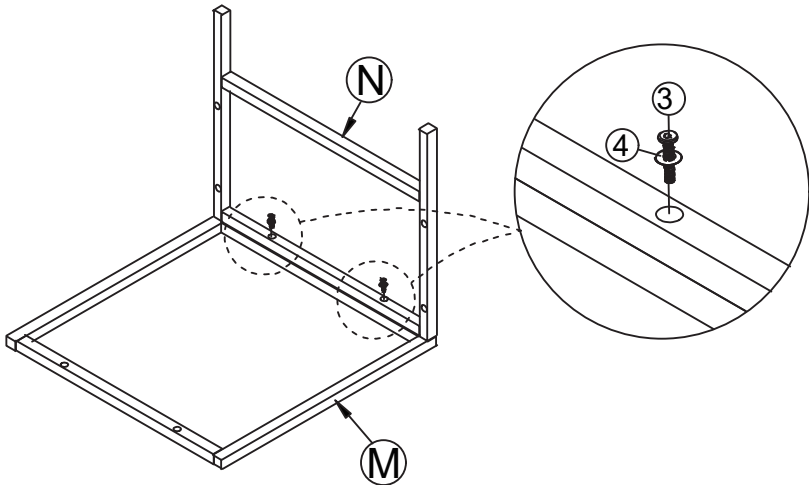
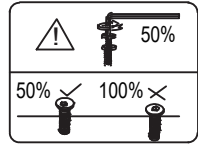


**14**

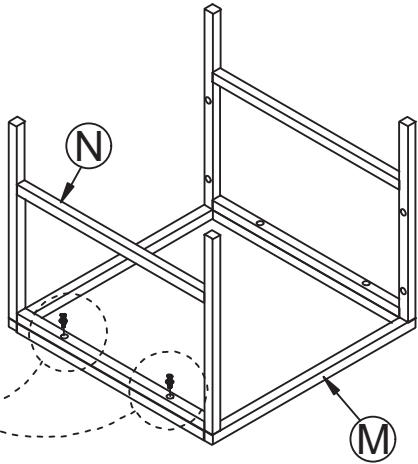
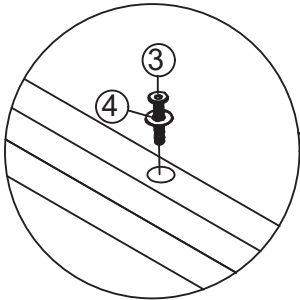
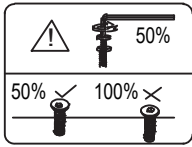




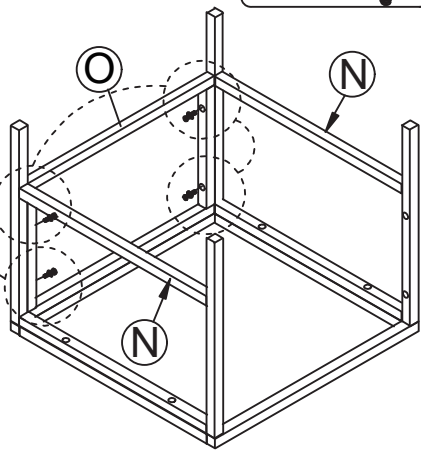
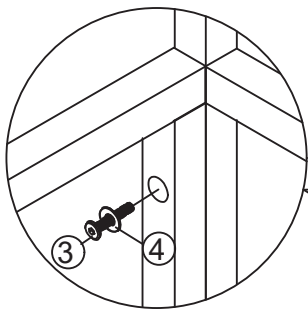
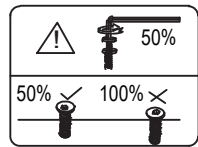
**16** x3



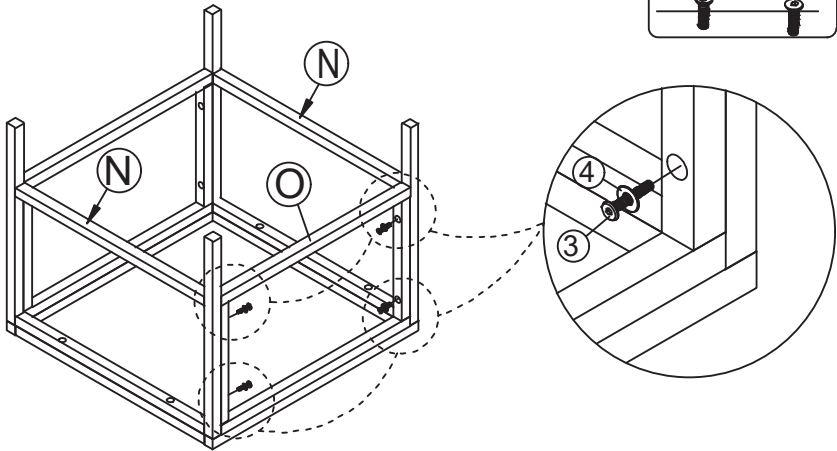
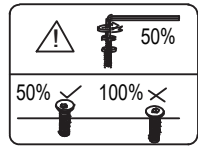
**17** x3



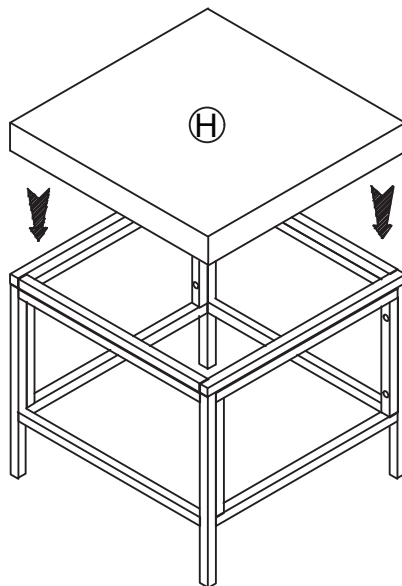
**18** x3



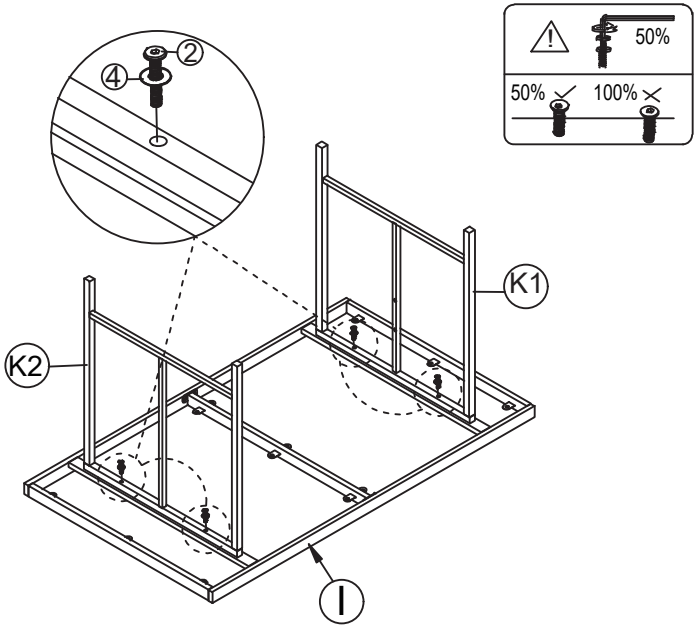
**19** x3



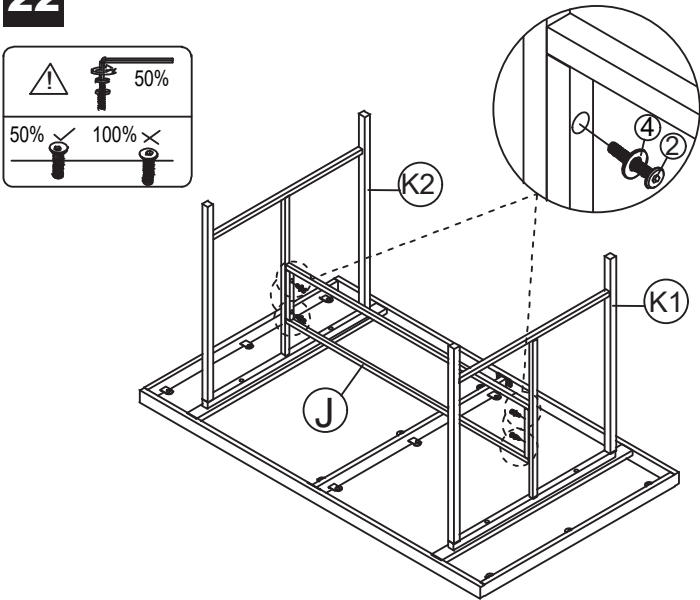
**20** x3

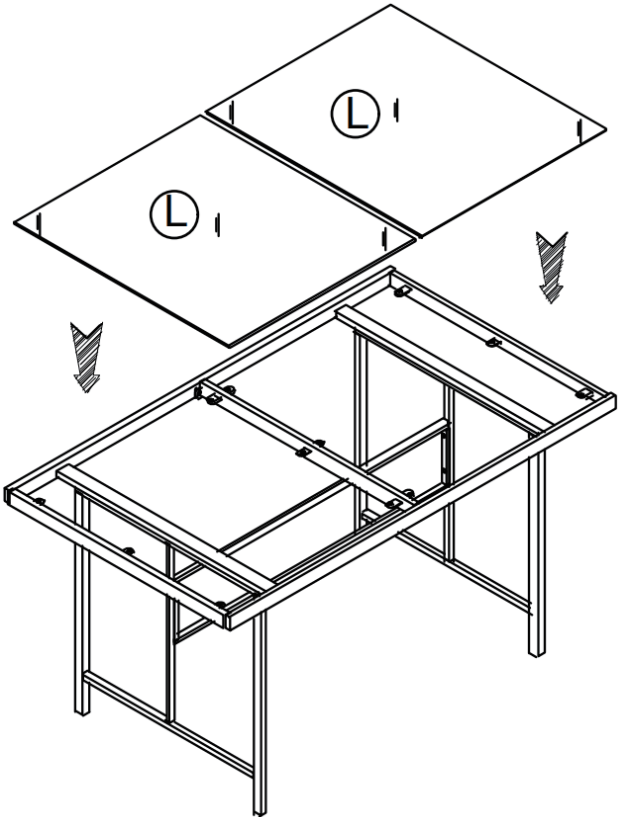


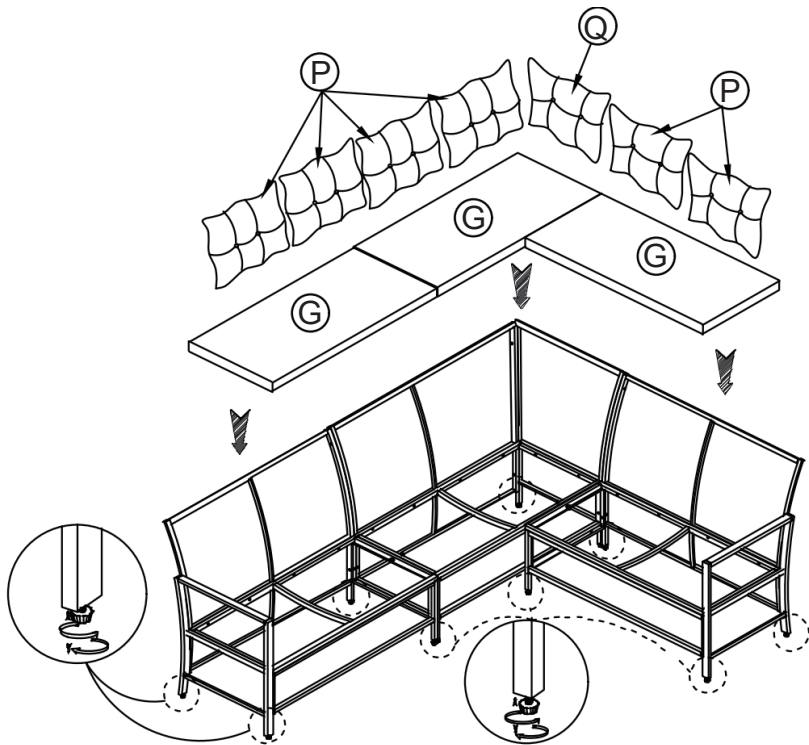
**21**



**22**

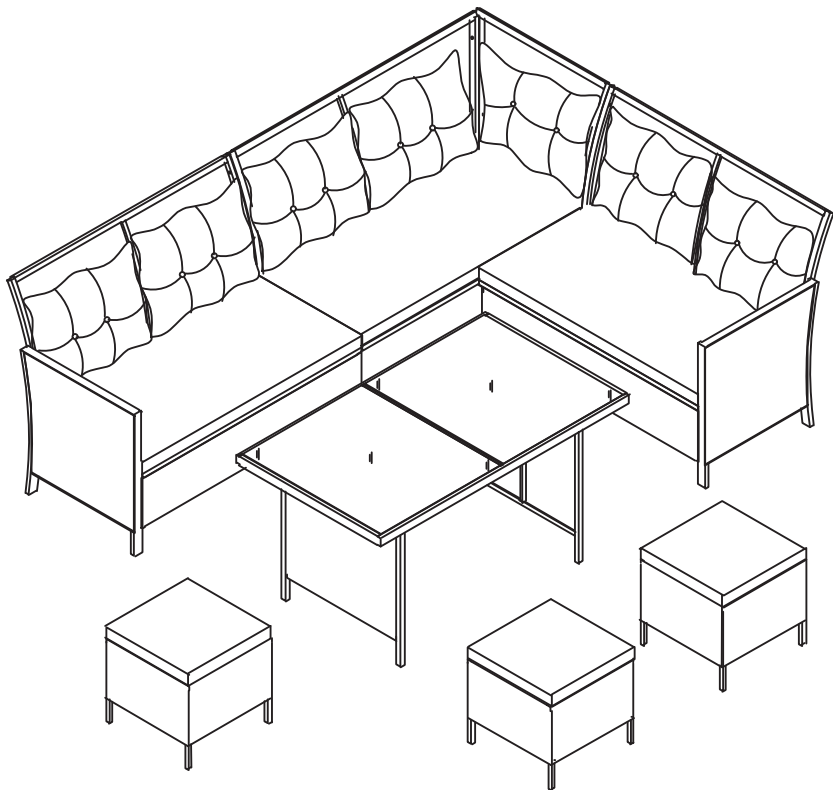






---

**25** Finish







**USA** office: Fontana      **AUS** office: Truganina  
**GBR** office: FDS Corporation Limited, Unit 4, Blackacre  
Road, Great Blakenham, Ipswich, IP6 0FL, United Kingdom