

House-shaped Bed Frame with Desk

HU10794-T

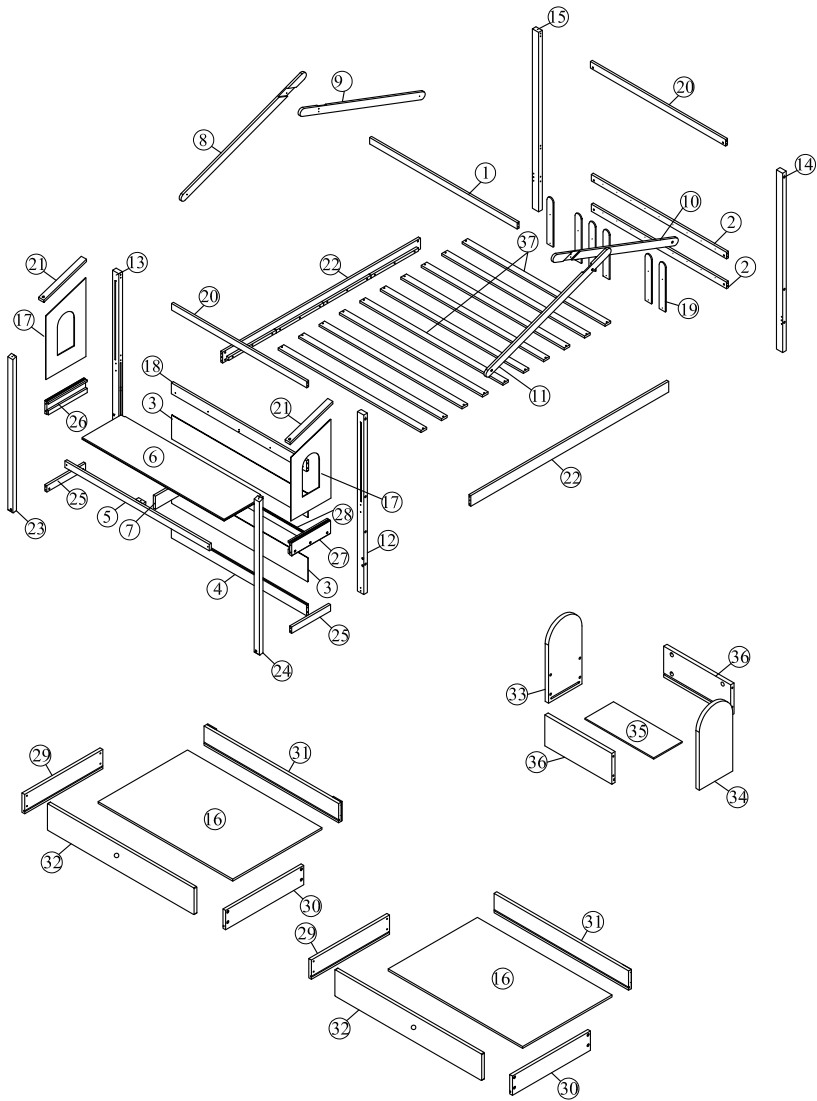
THIS INSTRUCTION BOOKLET CONTAINS **IMPORTANT** SAFETY INFORMATION.
PLEASE READ AND KEEP FOR FUTURE REFERENCE.



Before You Start

- ⚠ Please read all instructions carefully.
- ⚠ Retain instructions for future reference.
- ⚠ Separate and count all parts and hardware.
- ⚠ Read through each step carefully and follow the proper order.
- ⚠ We recommend that, where possible, all items are assembled near to the area in which they will be placed in use, to avoid moving the product unnecessarily once assembled.
- ⚠ Always place the product on a flat, steady and stable surface.
- ⚠ Keep all small parts and packaging materials for this product away from babies and children as they potentially pose a serious choking hazard.

Detail



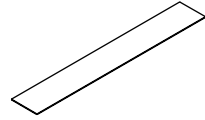
Part List (Box 1)



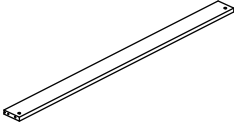
Center Guard
① x1



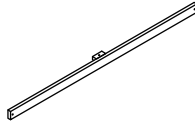
Top Guard
② x2



Front panel at Headboard
③ x2



Footboard
④ x1



Wood bar at Headboard
⑤ x1

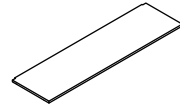
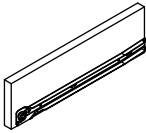


Table
⑥ x1



Mid panel of drawer
⑦ x1



Left wood bar for roof
⑧ x1



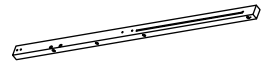
Left wood bar for roof
⑨ x1



Right wood
bar for roof
⑩ x1



Right wood
bar for roof
⑪ x1



Right post leg
at headboard
⑫ x1



Left post leg
at headboard
⑬ x1



Right post leg
at headboard
⑭ x1



Left post leg at
headboard
⑮ x1



Bottom panel
of drawer
⑯ x2



Side panel of desk
⑰ x2



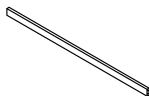
Wood bar at
headboard
⑱ x1

Part List (Box 2)



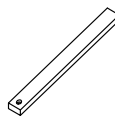
Slats at Footboard

⑲ x6



Top Guard

⑳ x2



Wooden bar

㉑ x2



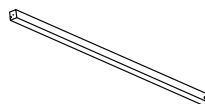
Side Rail

㉒ x2



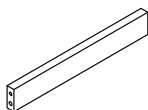
Left post leg of desk

㉓ x1



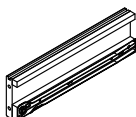
Right post leg of desk

㉔ x1



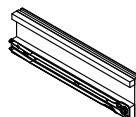
Wooden bar

㉕ x2



Left side panel of drawer

㉖ x1



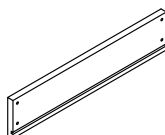
Right side panel of drawer

㉗ x1



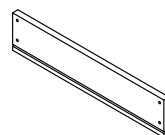
Wood bar
at headboard
under the desk

㉘ x1



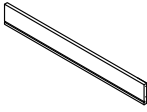
Left side panel
of drawer

㉙ x2



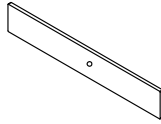
Right side
panel of drawer

㉚ x2



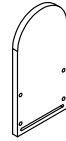
Back side panel
of drawer

③① x2



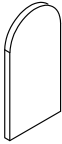
Front panel of drawer

③② x2



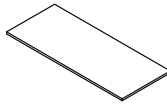
Left panel

③③ x1



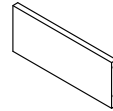
Right panel

③④ x1



Bottom panel

③⑤ x1



Front panel

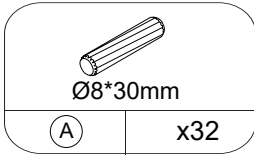
③⑥ x2



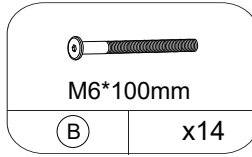
Slats

③⑦ x10

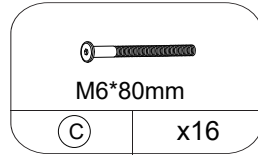
Hardware List (Box 1)



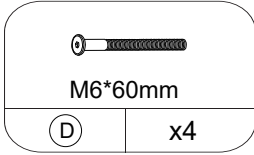
Dowel



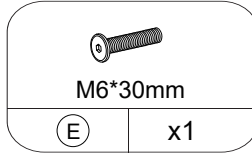
Bolts



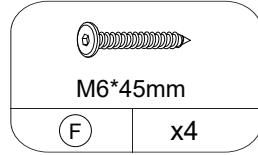
Bolts



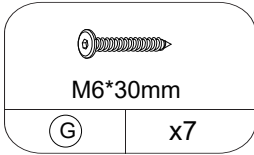
Bolts



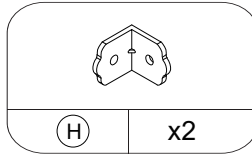
Bolts



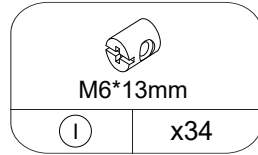
Bolts



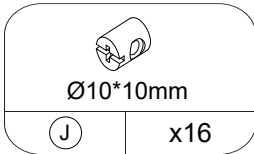
Bolts



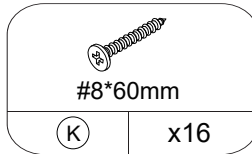
Bracket



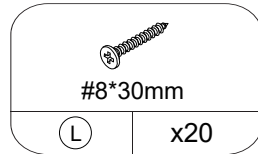
Cross dowel



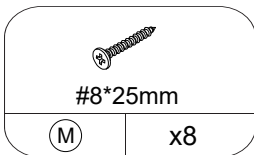
Cross dowel



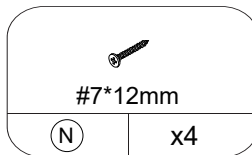
Flat head screw



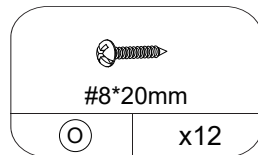
Flat head screw



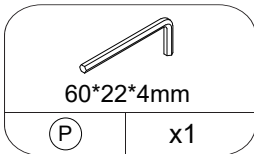
Flat head screw



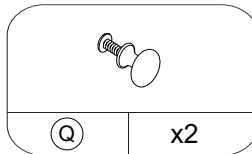
Flat head screw



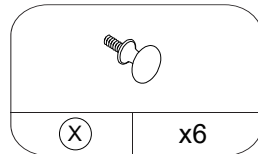
Round head screw



Allen key

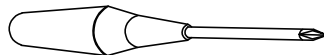


Handle

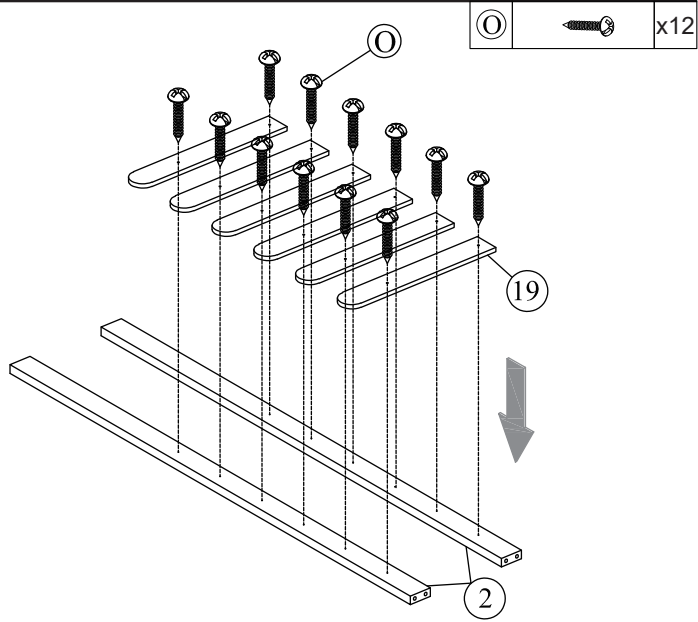


Handle

ASSEMBLY TOOLS REQUIRED
(NOT INCLUDED)

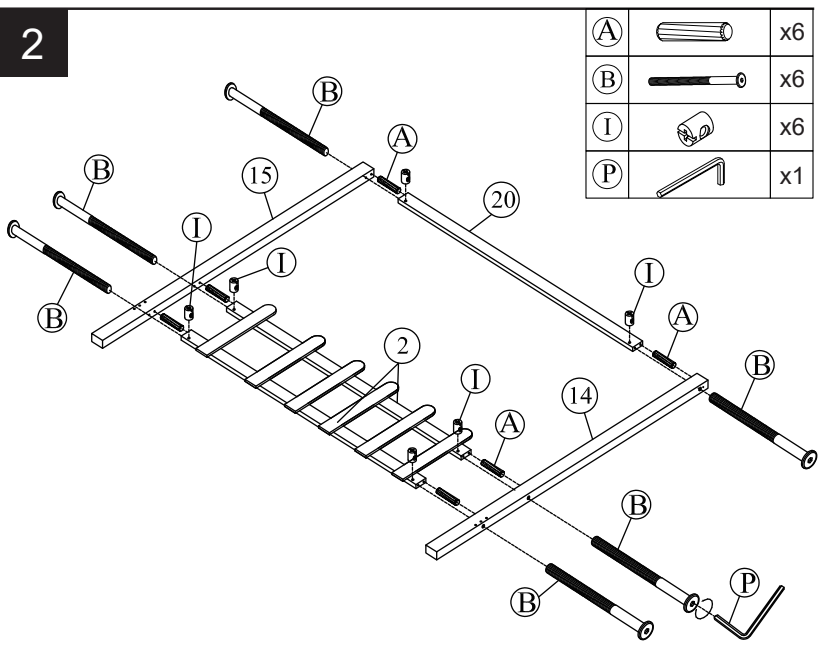






1






(O)		x12
-----	---	-----

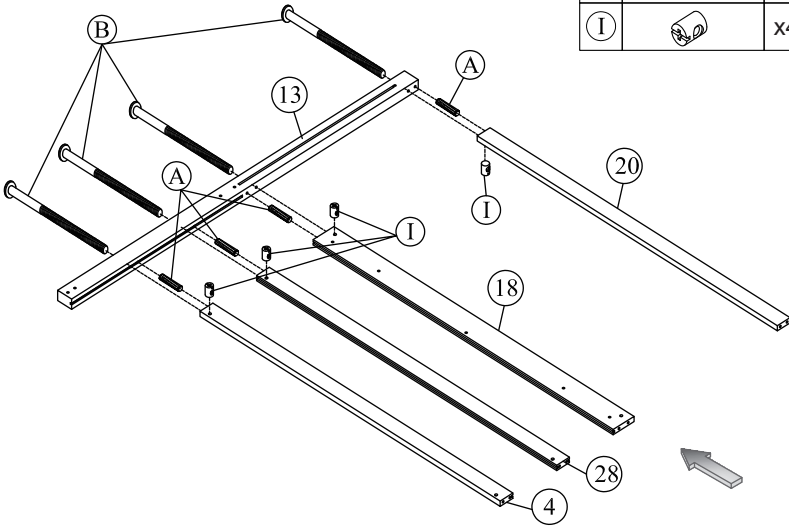
2



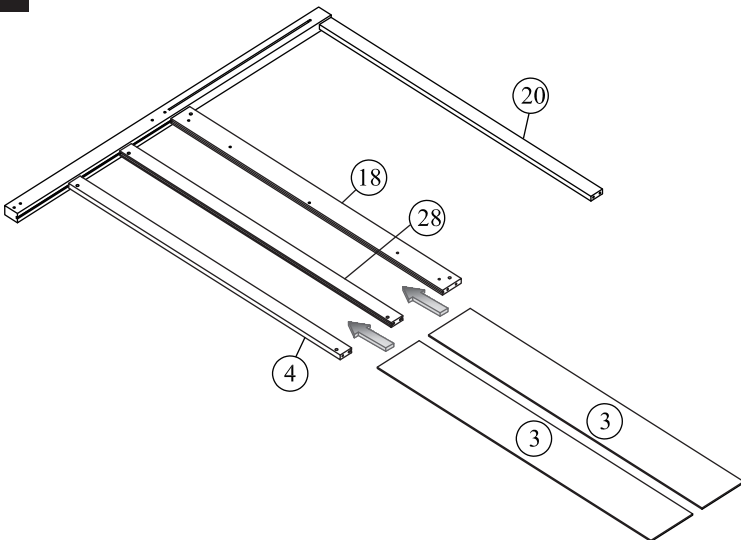
(A)		x6
(B)		x6
(I)		x6
(P)		x1

3





(A)		x4
(B)		x4
(I)		x4

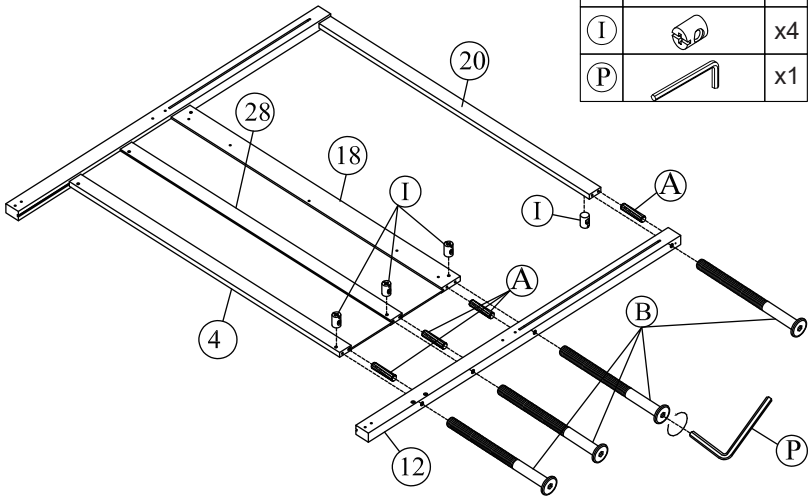


4








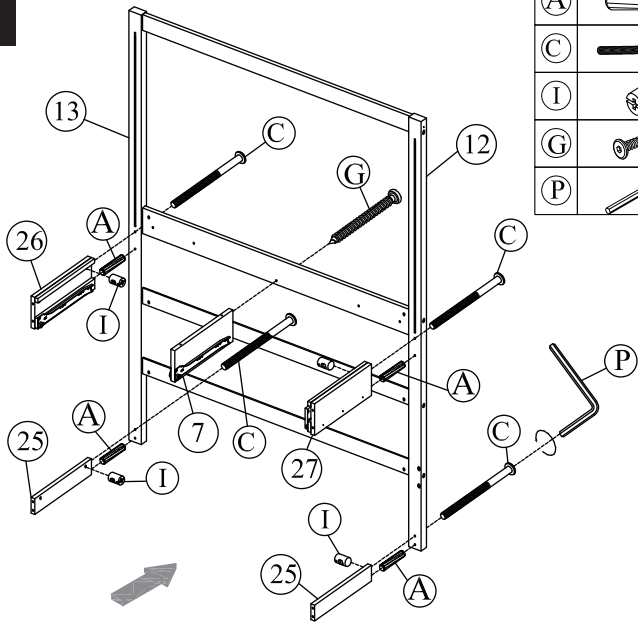
5

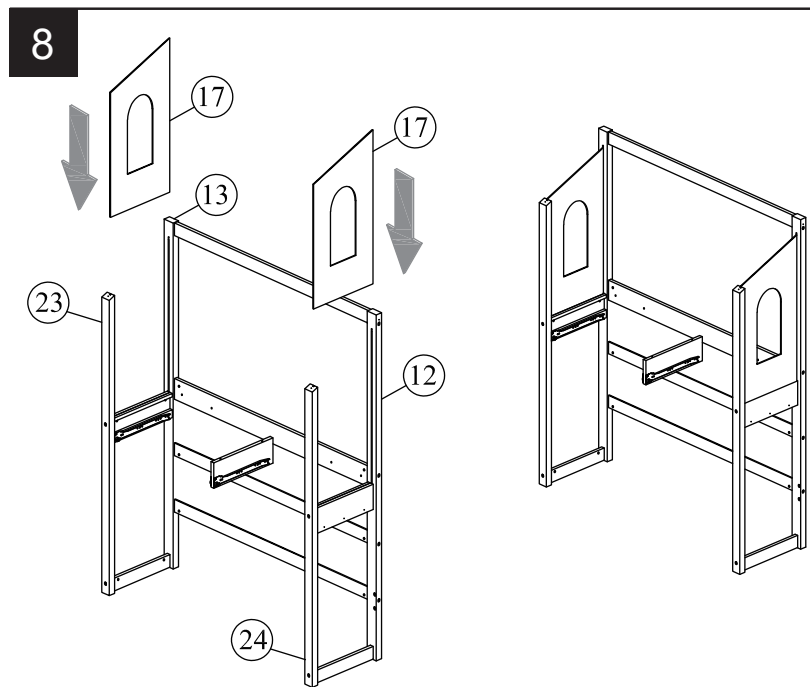
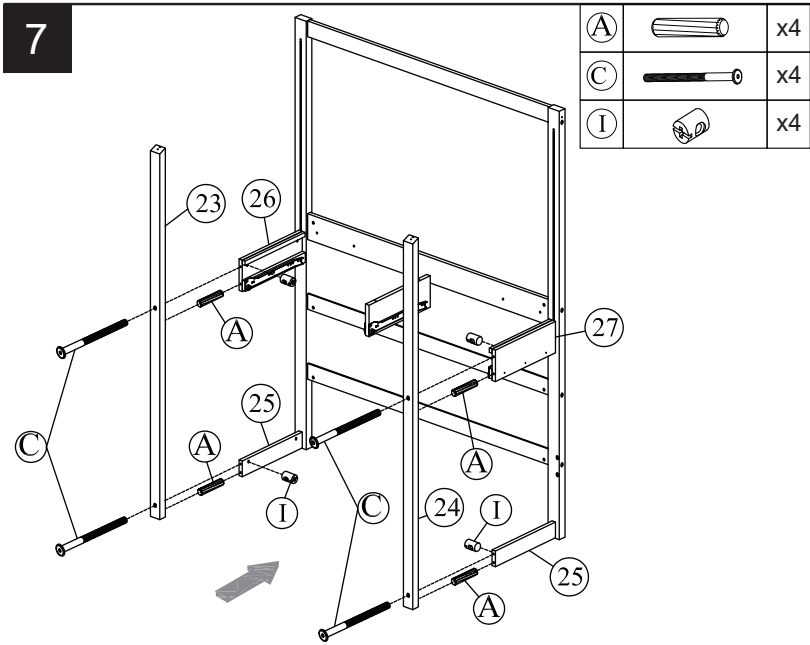
(A)		x4
(B)		x4
(I)		x4
(P)		x1






6

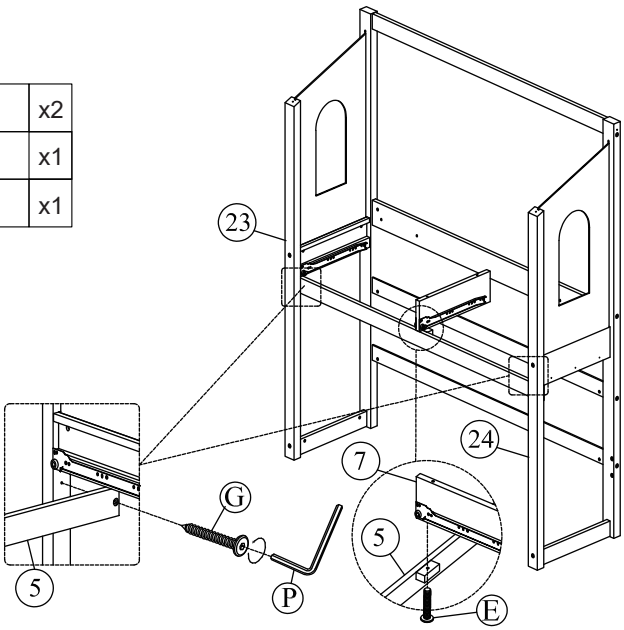
(A)		x4
(C)		x4
(I)		x4
(G)		x1
(P)		x1



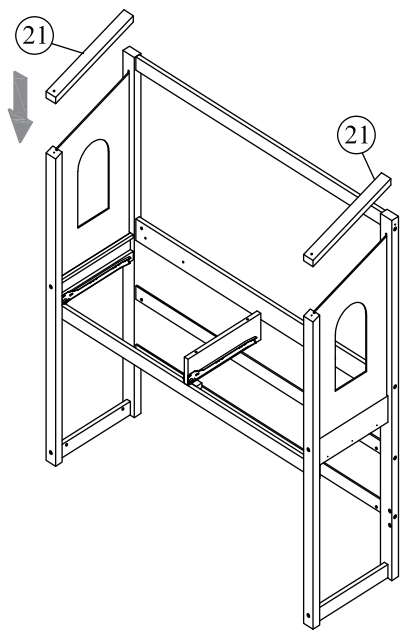


9

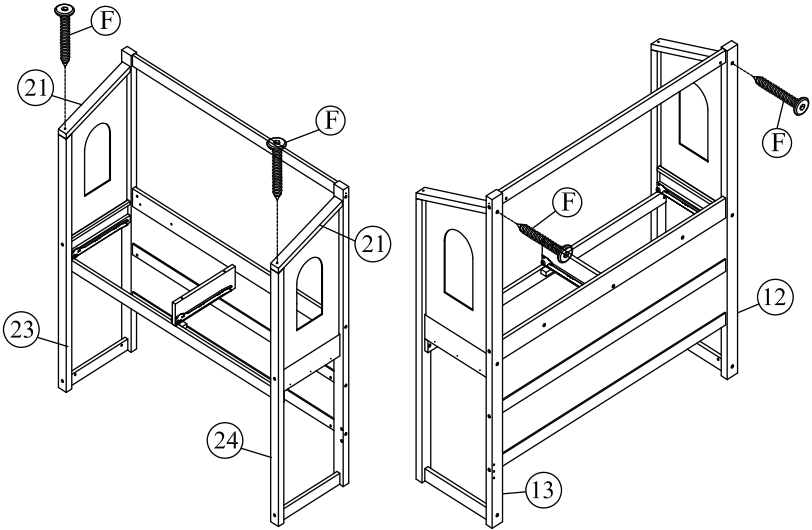
(G)		x2
(E)		x1
(P)		x1



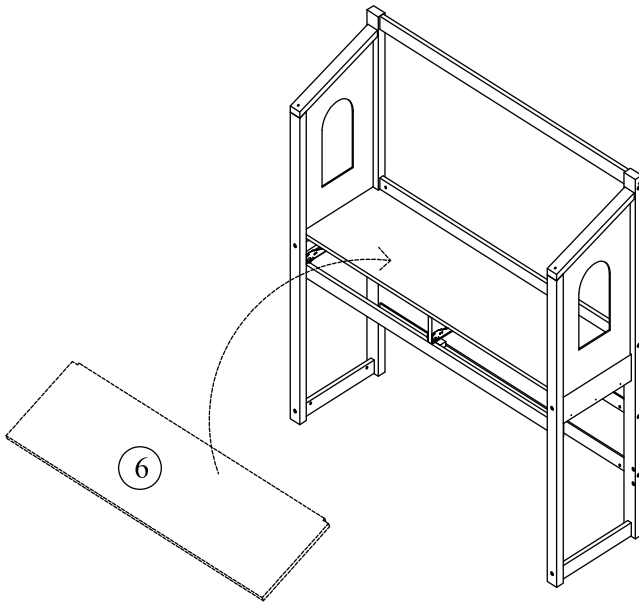
10



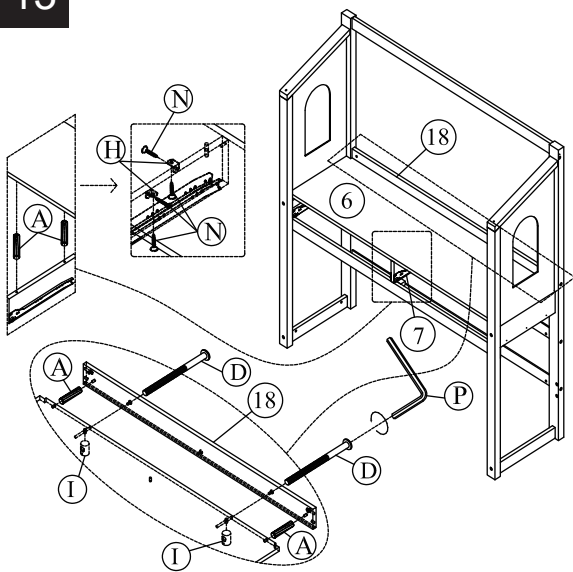
11



12



13

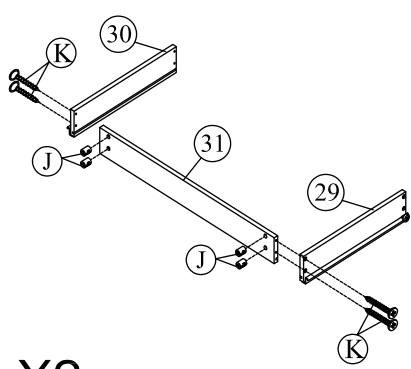


(A)		x4
(D)		x2
(I)		x2
(P)		x1
(H)		x2
(N)		x4

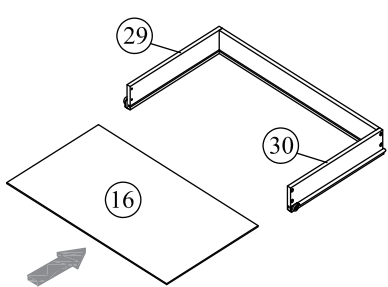
14

(K)		x8
(J)		x8

15





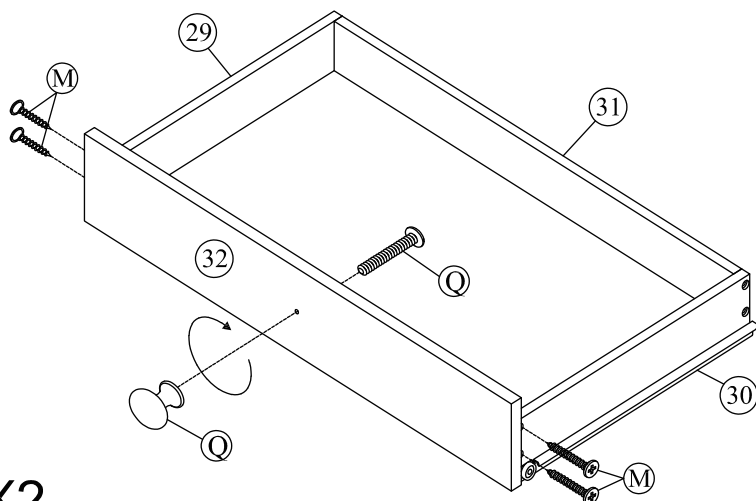
X2



X2

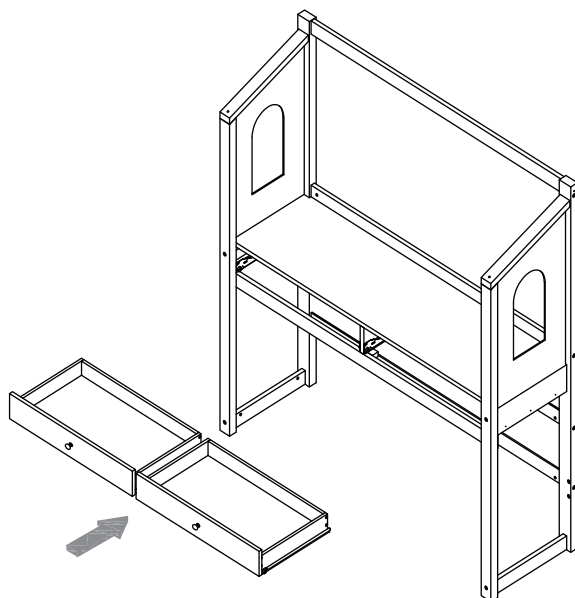
16




(M)		x8
(Q)		x2

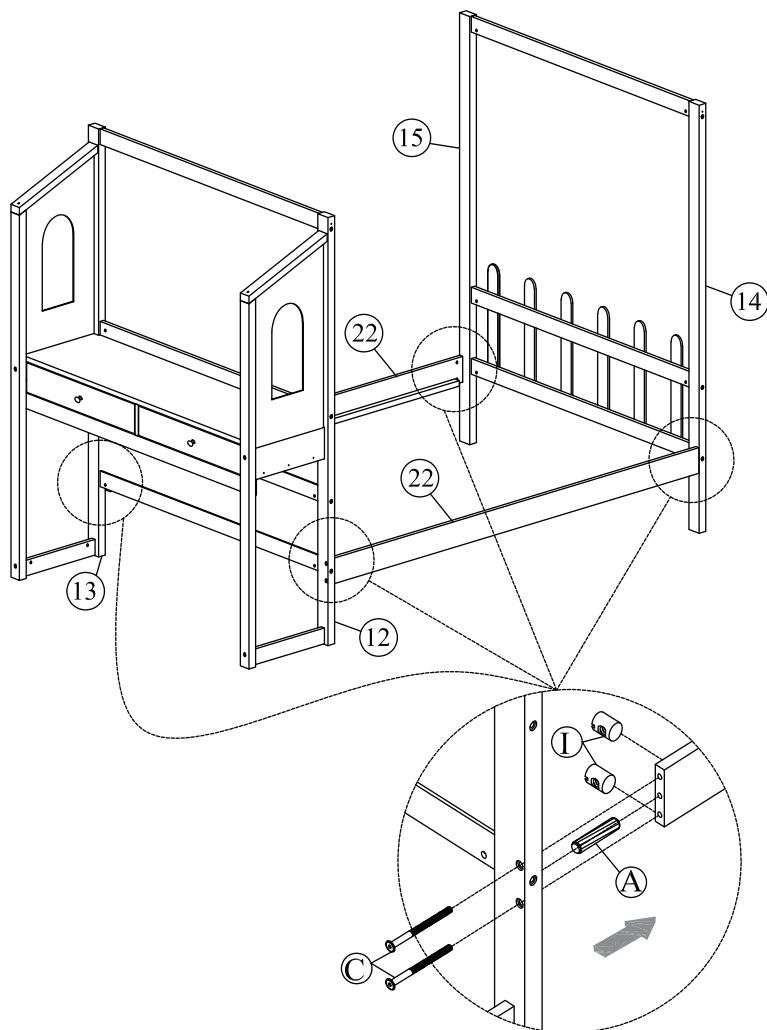


X2



17

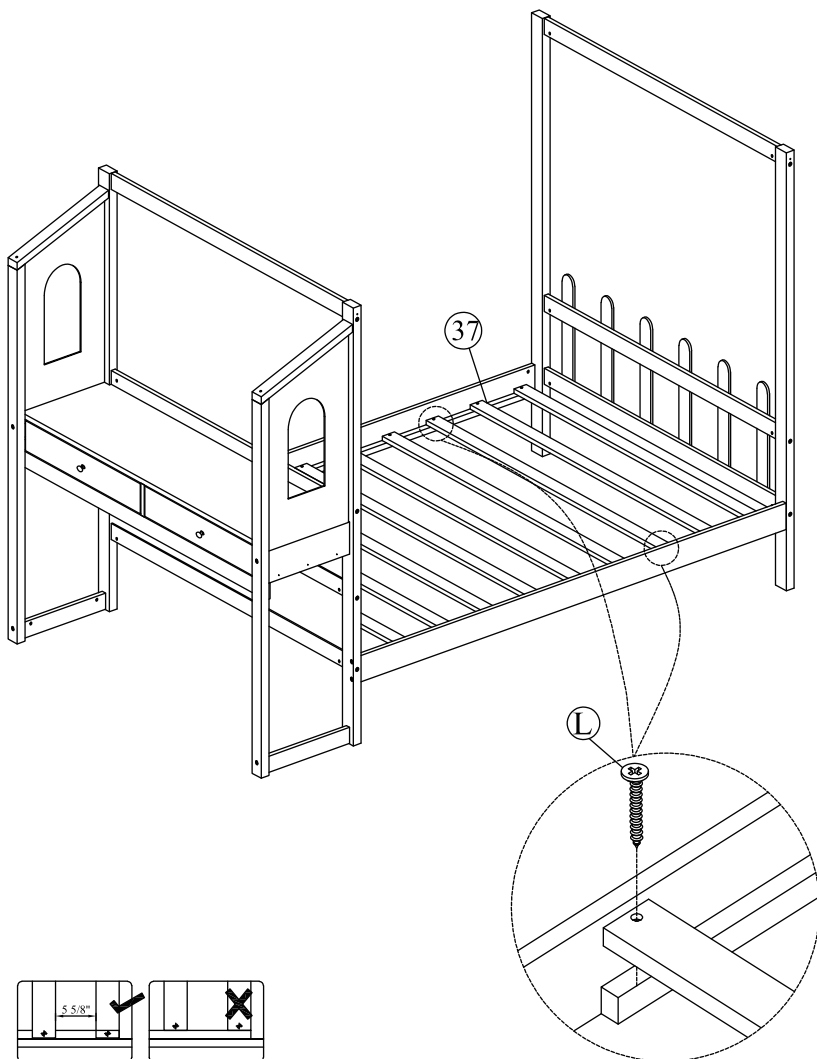







(A)		x4
(C)		x8
(I)		x8

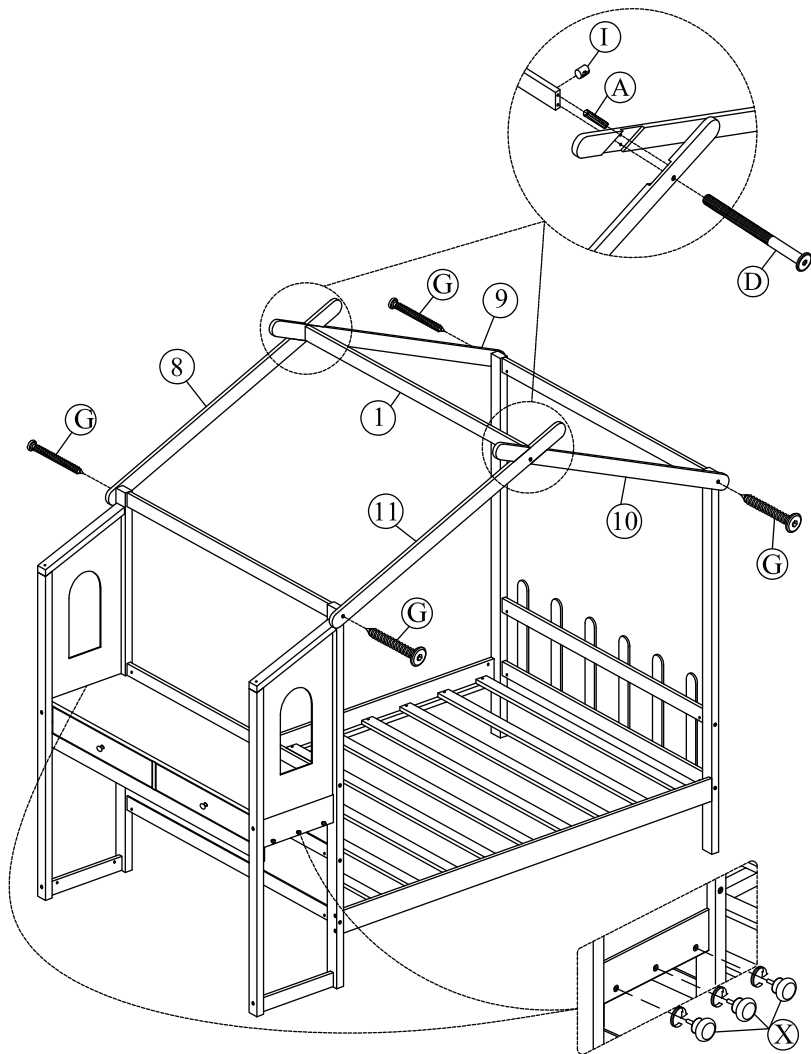




19

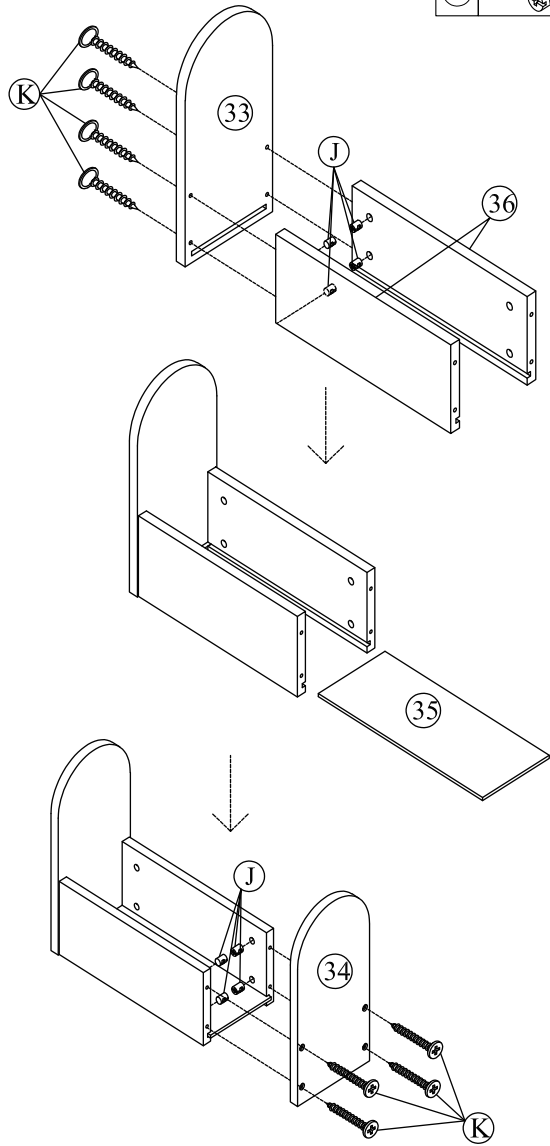
(P)		x1
(L)		x20



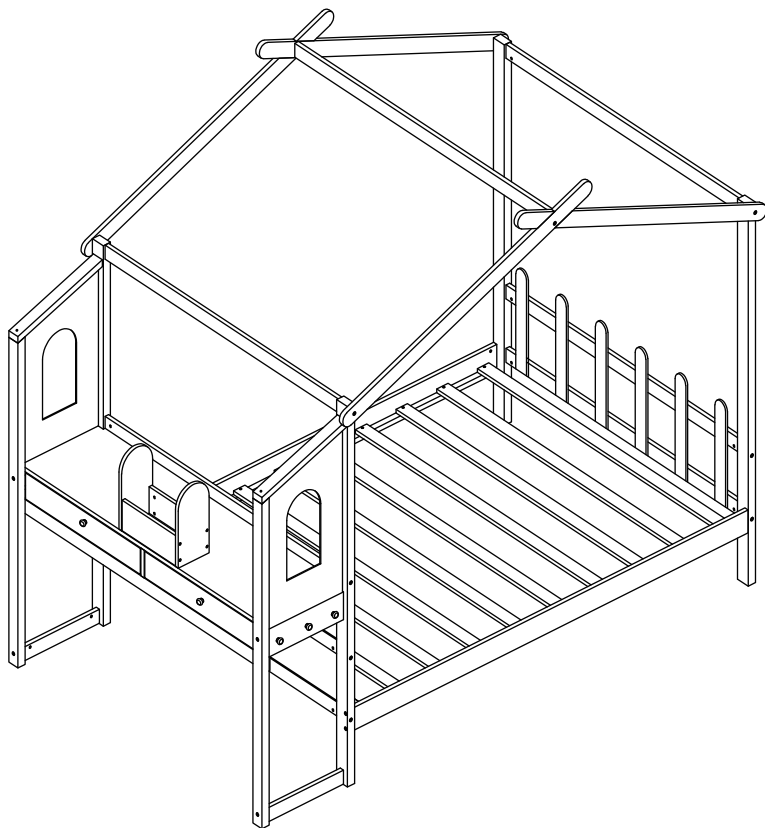
(X)		x6	(A)		x2
			(D)		x2
			(I)		x2
			(G)		x4



(K)		x8
(J)		x8



FINAL





Return / Damage Claim Instructions

- ⚠ **DO NOT discard the box / original packaging.**
In case a return is required, the item must be returned in original box. Without this your return will not be accepted.
- ⚠ **Take a photo of the box markings.**
A photo of the markings (text) on the side of the box is required in case a part is needed for replacement. This helps our staff identify your product number to ensure you receive the correct parts.
- ⚠ **Take a photo of the damaged part (if applicable).**
A photo of the damage is always required to file a claim and get your replacement or refund processed quickly. Please make sure you have the box even if it is damaged.
- ⚠ **Send us an email with the images requested.**
Email us directly from marketplace where your item was purchased with the attached images and a description of your claim.

USA office: Fontana **AUS** office: Truganina

GBR office: FDS Corporation Limited, Unit 4, Blackacre Road, Great Blakenham, Ipswich, Ip6 0FL, United Kingdom

If you're having difficulty, our friendly customer team is always here to help.



USA: cs.us@costway.com
AUS: cs.au@costway.com
GBR: cs.uk@costway.com