

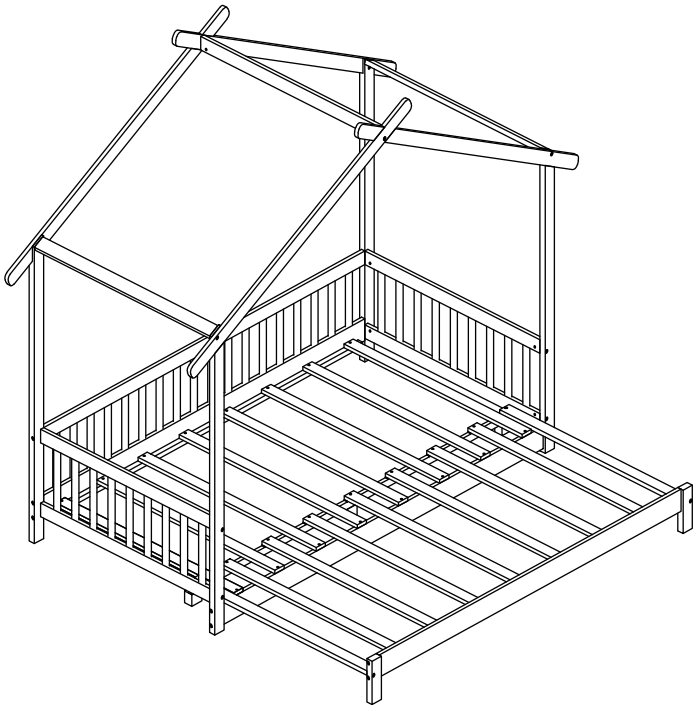
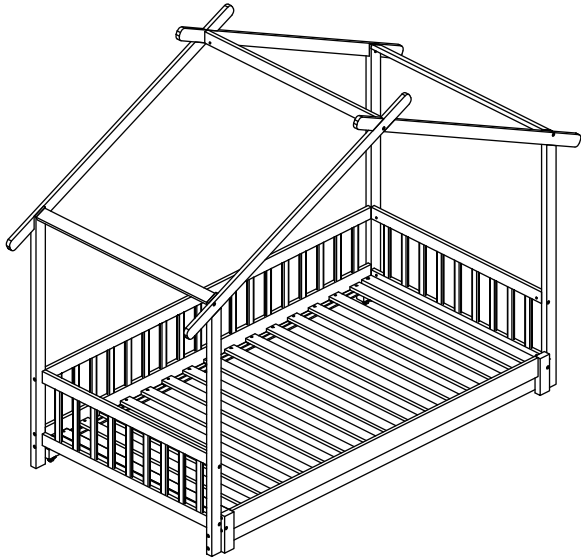
Bed Frame  
**HU10819-T**

THIS INSTRUCTION BOOKLET CONTAINS **IMPORTANT** SAFETY INFORMATION.  
PLEASE READ AND KEEP FOR FUTURE REFERENCE.

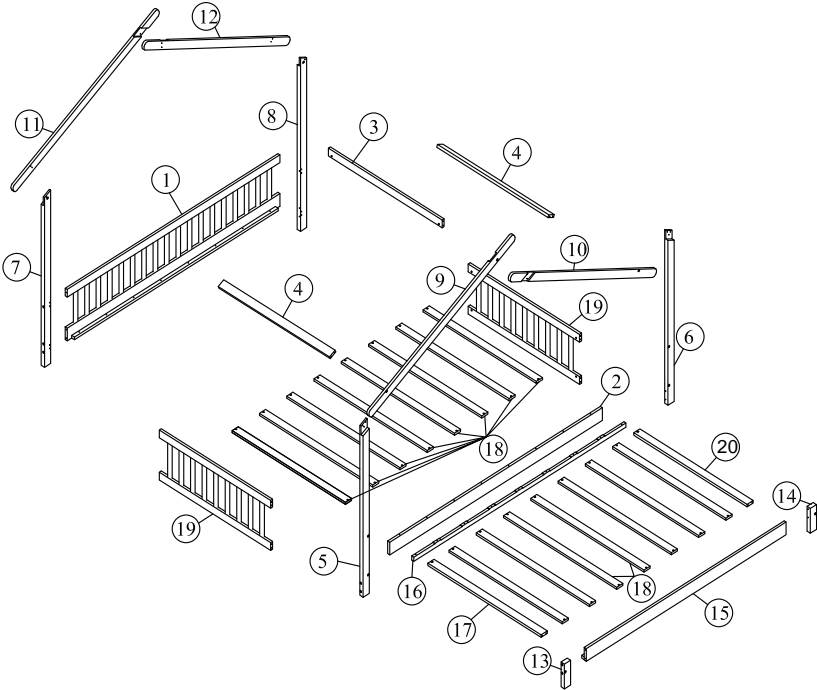


## Before You Start

- ⚠ Please read all instructions carefully.
- ⚠ Retain instructions for future reference.
- ⚠ Separate and count all parts and hardware.
- ⚠ Read through each step carefully and follow the proper order.
- ⚠ We recommend that, where possible, all items are assembled near to the area in which they will be placed in use, to avoid moving the product unnecessarily once assembled.
- ⚠ Always place the product on a flat, steady and stable surface.
- ⚠ Keep all small parts and packaging materials for this product away from babies and children as they potentially pose a serious choking hazard.

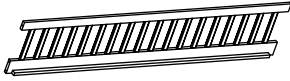


# Detail



# Part List

---



Back Guardrail

① x1



Back Side Rail

② x1

---



Center Wood Bar

③ x1



Connection Bar

④ x2

---



Left Front Leg

⑤ x1



Right Front Leg

⑥ x1

---



Left Rear Leg

⑦ x1



Right Rear Leg

⑧ x1

---



Left Front Roof

⑨ x1



Right Front Roof

⑩ x1

---



Right Rear Roof

①① x1



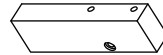
Right Rear Roof

①② x1



Left Support Leg

①③ x1



Right Support Leg

①④ x1



Side Rail

①⑤ x1



Bottom Side Rail

①⑥ x1



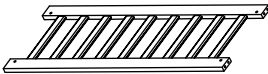
Left wood slat

①⑦ x1



Slat

①⑧ x15



Guardrail

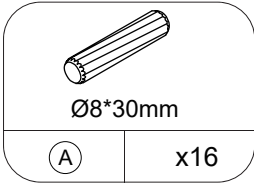
①⑨ x2



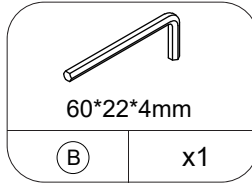
Right wood slat

②① x1

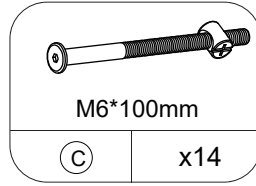
# Hardware List



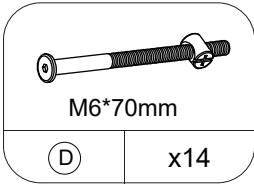
Dowel



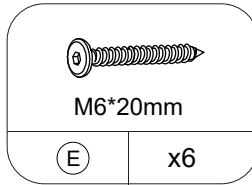
Allen Key



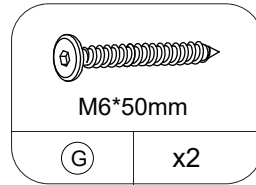
Bolt



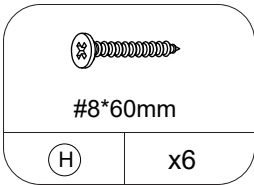
Bolt



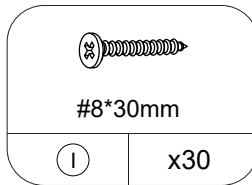
Screw



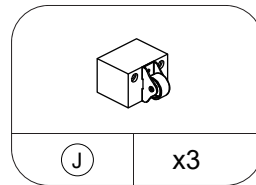
Screw



Flat Head Screw

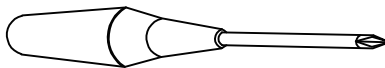


Flat Head Screw

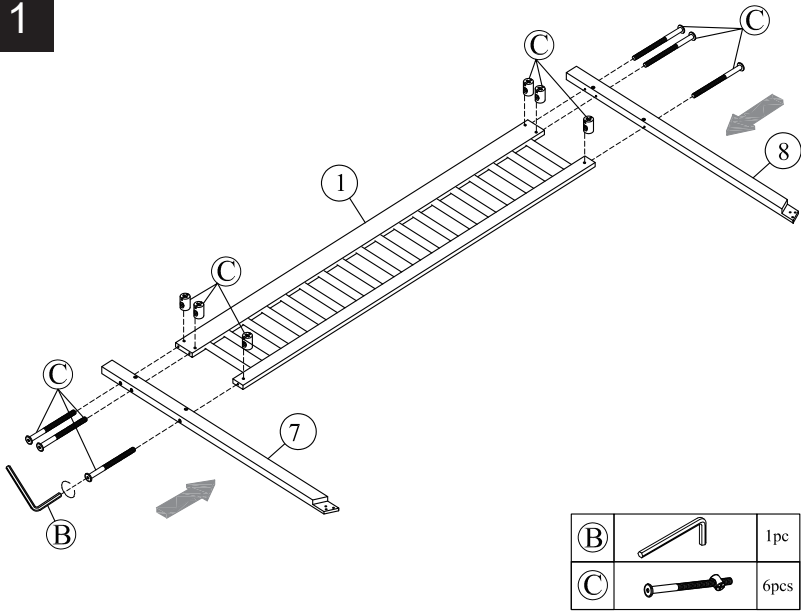


Wheel

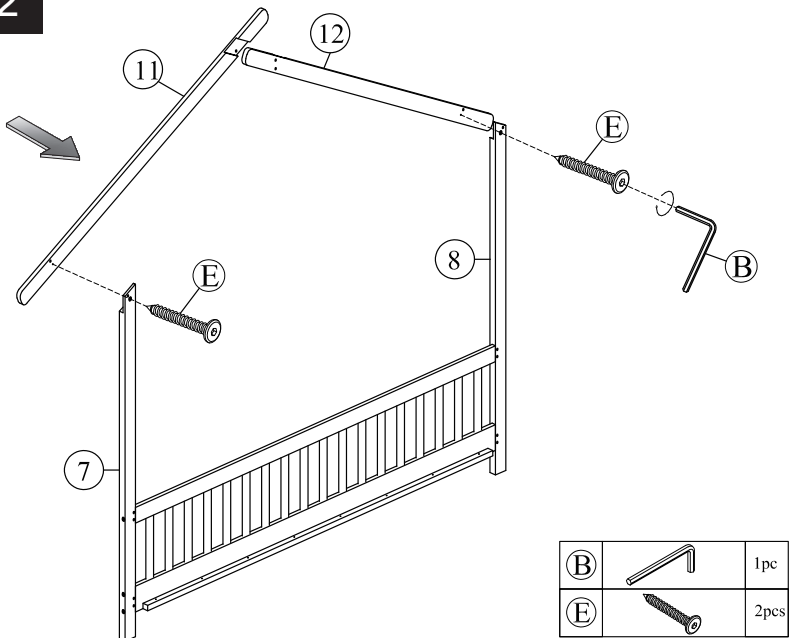
ASSEMBLY TOOLS REQUIRED (NOT INCLUDED)



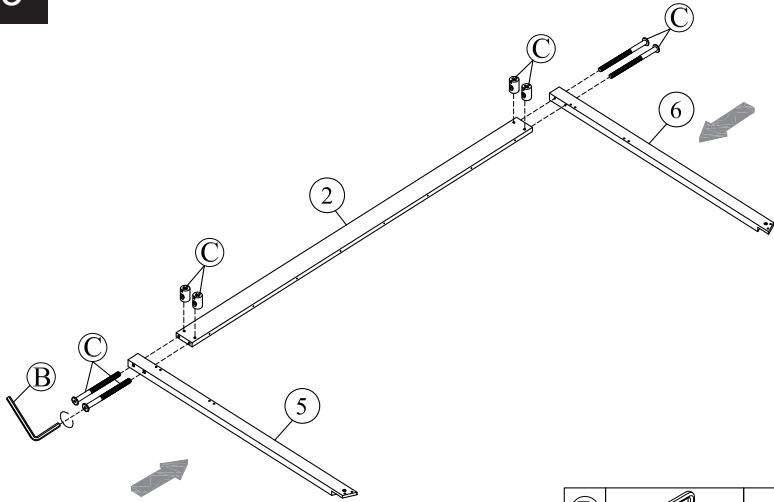
1



2

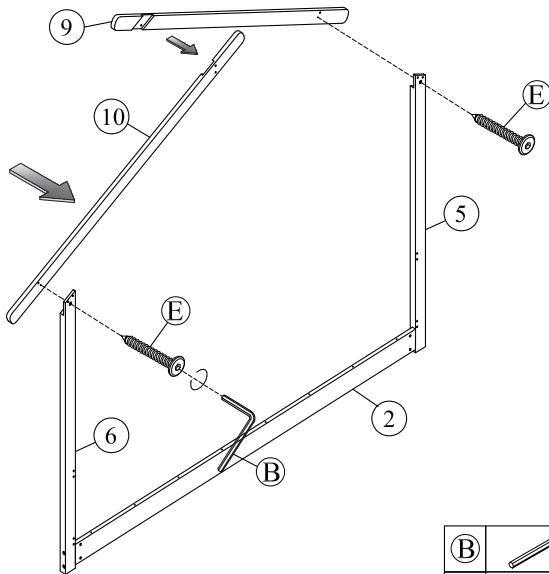


3






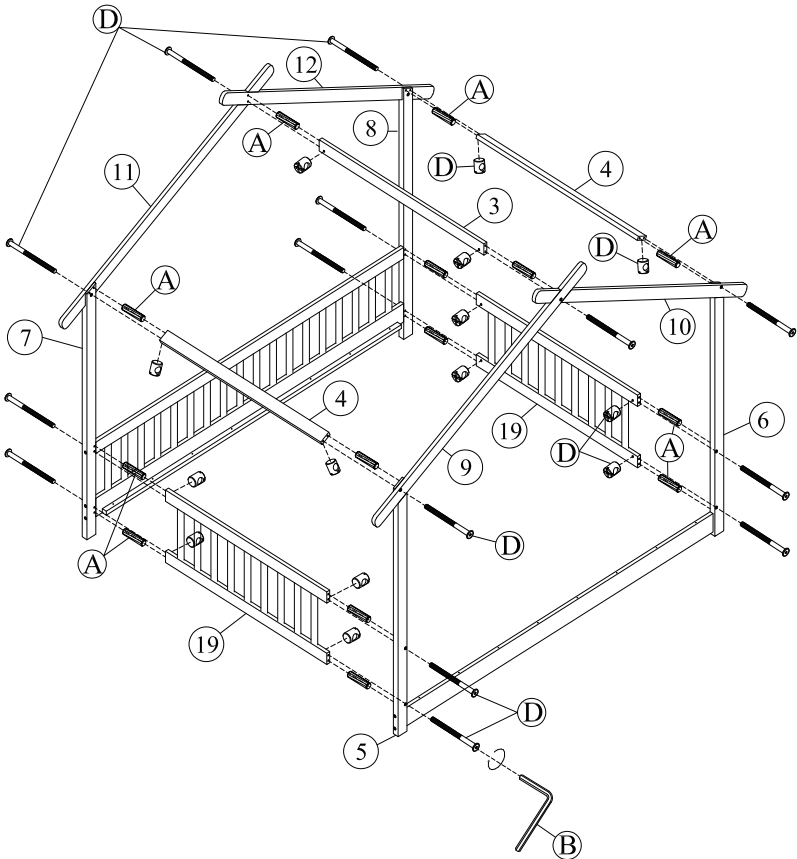
|     |  |      |
|-----|--|------|
| (B) |  | 1pc  |
| (C) |  | 4pcs |

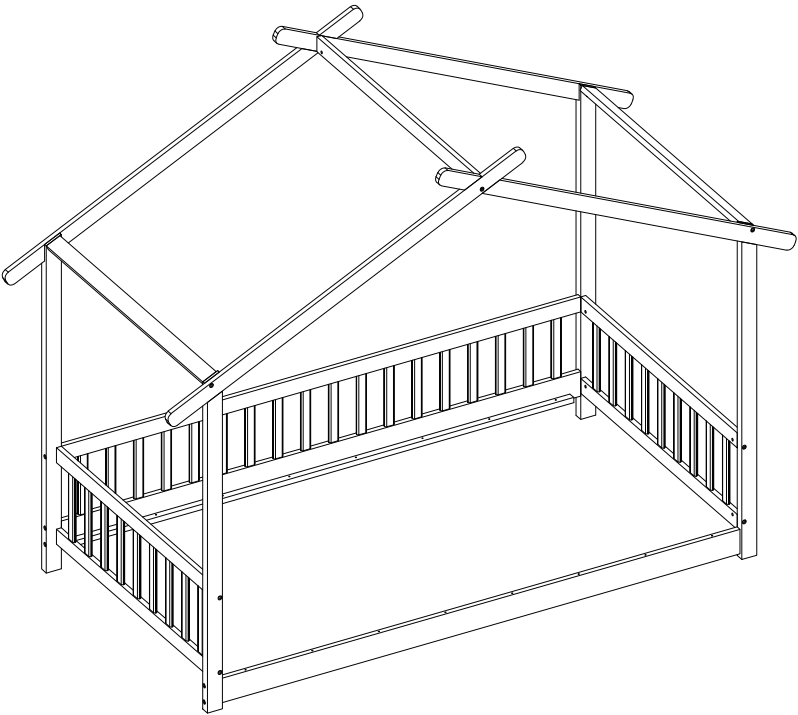
4





|     |  |      |
|-----|--|------|
| (B) |  | 1pc  |
| (E) |  | 2pcs |

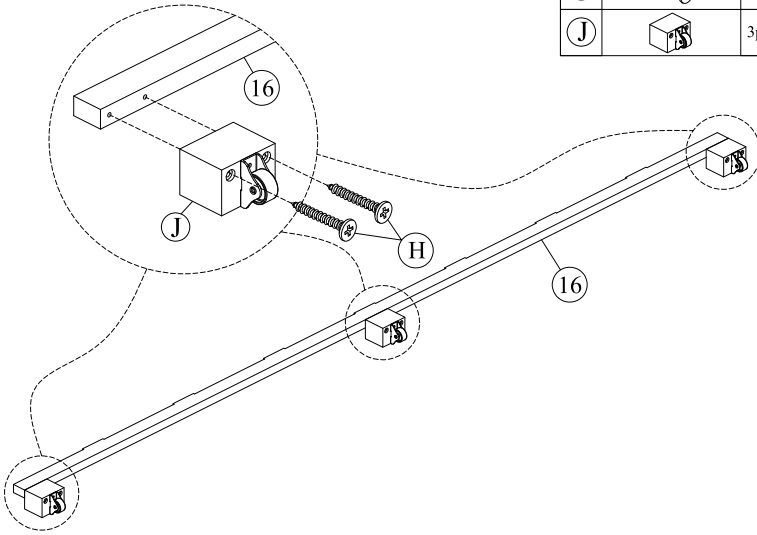
|     |   |       |
|-----|---|-------|
| (A) |  | 14pcs |
| (B) |  | 1pc   |
| (D) |  | 14pcs |







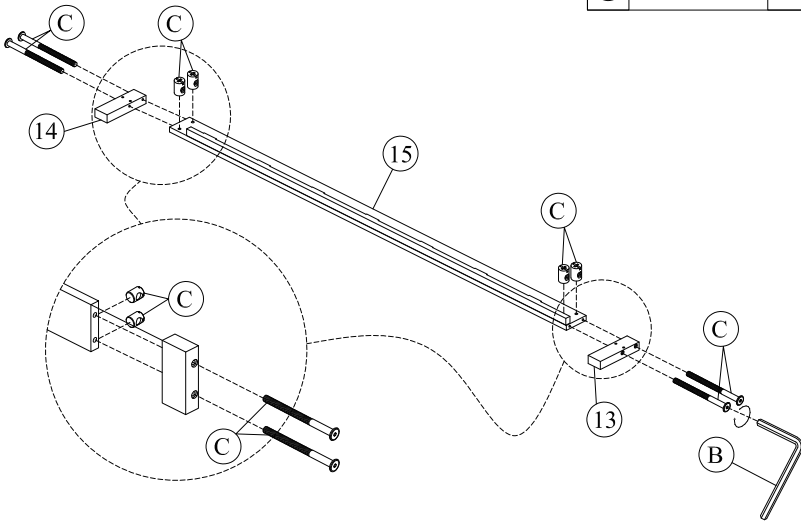
7

|     |   |      |
|-----|---|------|
| (H) |  | 6pcs |
| (J) |  | 3pcs |







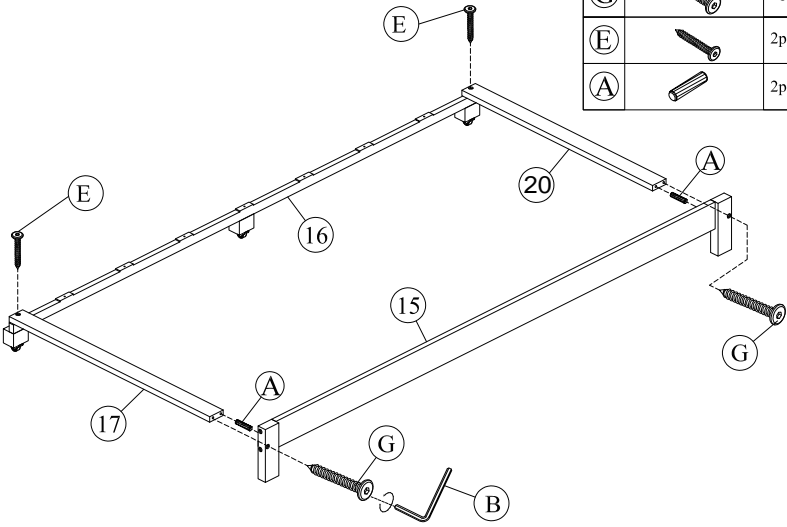
8

|     |   |      |
|-----|---|------|
| (B) |  | 1pc  |
| (C) |  | 4pcs |



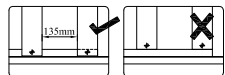
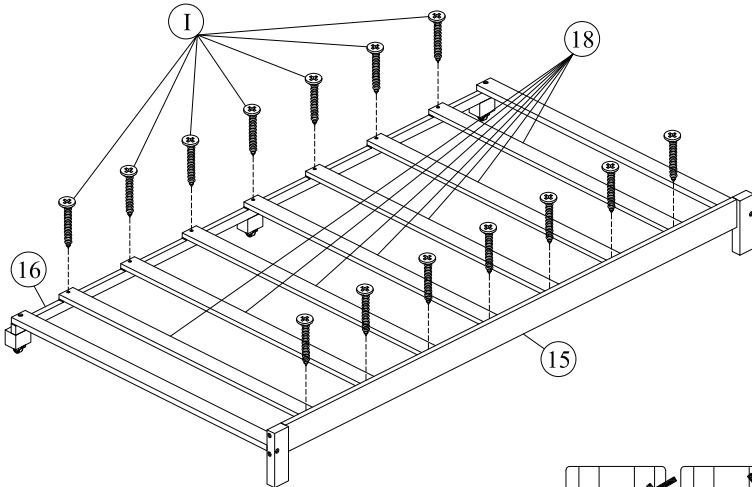
9

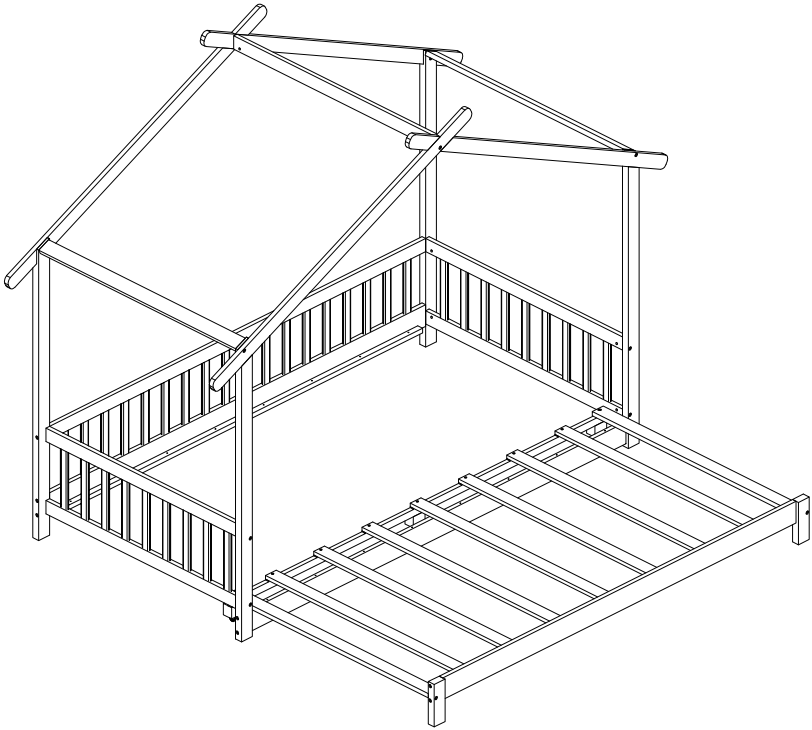
|     |   |      |
|-----|---|------|
| (B) |  | 1pc  |
| (G) |  | 2pcs |
| (E) |  | 2pcs |
| (A) |  | 2pcs |




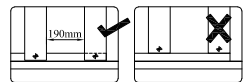
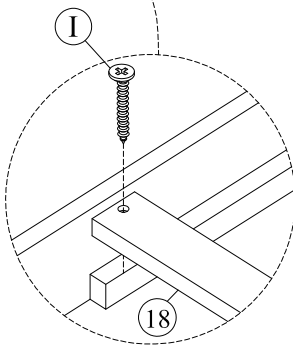
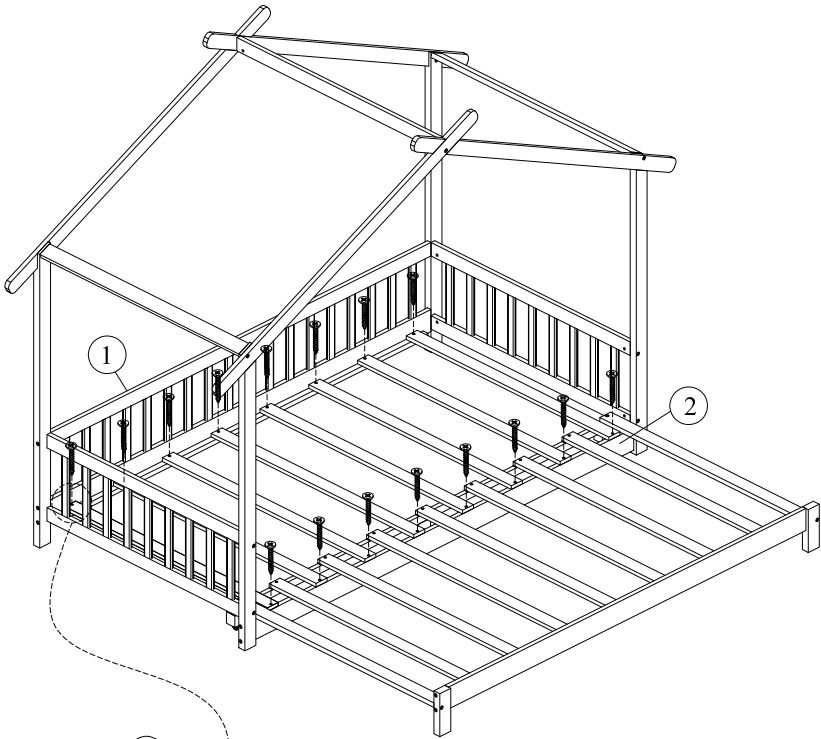
10

|     |   |       |
|-----|---|-------|
| (I) |  | 14pcs |
|-----|---|-------|

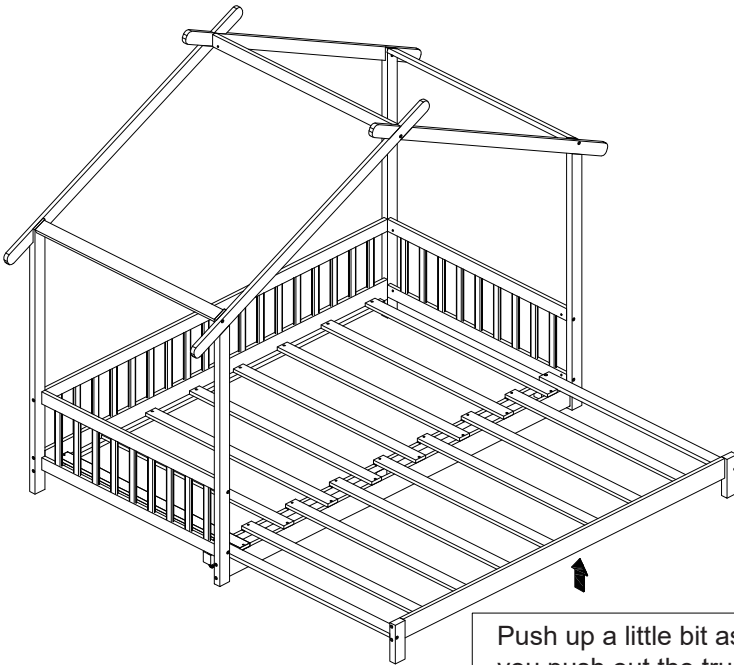
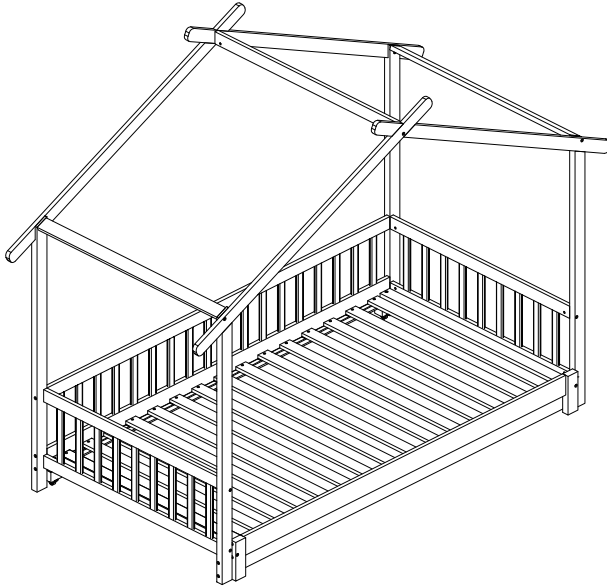




|   |   |       |
|---|---|-------|
| I |  | 16pcs |
|---|---|-------|



# FINAL





## Return / Damage Claim Instructions

- ⚠ **DO NOT discard the box / original packaging.**  
In case a return is required, the item must be returned in original box. Without this your return will not be accepted.
- ⚠ **Take a photo of the box markings.**  
A photo of the markings (text) on the side of the box is required in case a part is needed for replacement. This helps our staff identify your product number to ensure you receive the correct parts.
- ⚠ **Take a photo of the damaged part (if applicable).**  
A photo of the damage is always required to file a claim and get your replacement or refund processed quickly. Please make sure you have the box even if it is damaged.
- ⚠ **Send us an email with the images requested.**  
Email us directly from marketplace where your item was purchased with the attached images and a description of your claim.

**USA** office: Fontana      **AUS** office: Truganina

**GBR** office: FDS Corporation Limited, Unit 4, Blackacre Road, Great Blakenham, Ipswich, Ip6 0FL, United Kingdom

---

If you're having difficulty, our friendly customer team is always here to help.



USA: [cs.us@costway.com](mailto:cs.us@costway.com)  
AUS: [cs.au@costway.com](mailto:cs.au@costway.com)  
GBR: [cs.uk@costway.com](mailto:cs.uk@costway.com)